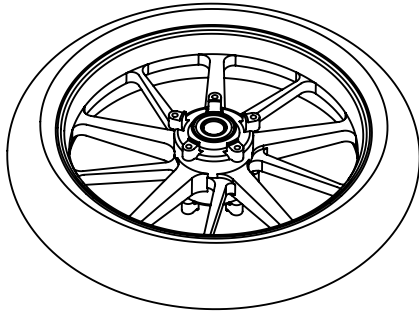


Disc Mounting Instructions

Thank you for purchasing this Moto-Master performance product. Please read these instructions carefully before attempting installation. *

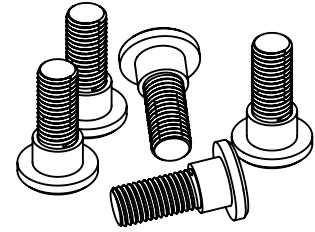
Step 1

Jack up motorcycle and remove wheel. Place the wheel on a suitable work surface. Remove installed disc(s) by removing disc mounting bolts crosswise.



Step 2

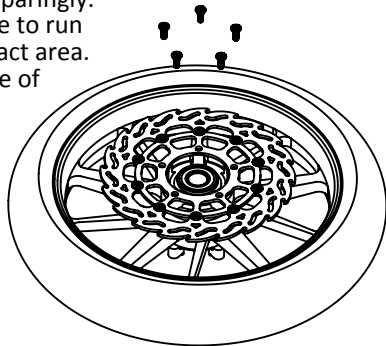
Inspect/clean the disc contact surface of the wheel carefully. (Any remains of dirt, paint or bolt adhesive in between the disc and wheel causes an unevenness which may lead to brake judder and accelerated disc/pad wear). Inspect/clean disc mounting bolts and replace when damaged.



Step 3

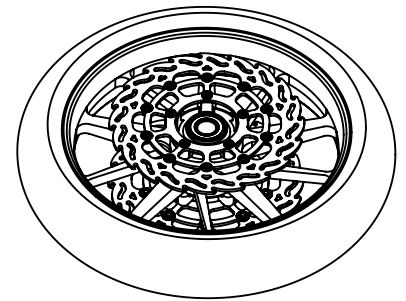
Place Moto-Master disc with product marking visible** on to the wheel and insert bolts. Check for correct centering of the disc and tighten the bolts in crosswise order with torque amount according to bike service manual specifications. If manufacturer recommends the use of bolt adhesive, apply sparingly. Carefully avoid any bolt adhesive to run in between disc and wheel contact area. Make sure the new discs are free of grease, oil, silicone or any other chemicals.

**When a turning direction is marked on the disc, make sure to match the direction with the turning direction of the wheel.



Step 4

Repeat step 3 on other side when the wheel has 2 brake discs. Make sure there is no force exerted to the already installed disc to avoid any damage or warp.



Step 5

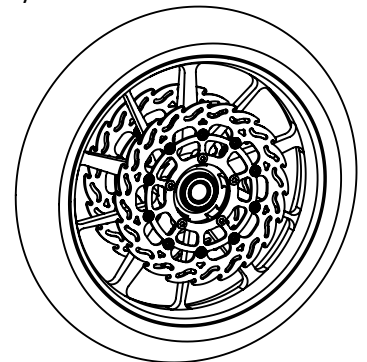
Inspect and clean brake caliper(s) and install new brake pads. If needed, also replace brake fluid. Reinstall the wheel on the bike***. Make sure the disc is positioned in between both brake pads.

Check for correct disc- and brake caliper alignment and torque all bolts according to bike service manual specifications.

***Make sure the turning direction of the wheel and brake discs is correct!

Step 6

Suspend wheel from the ground so it can run freely. Operate the brake lever to engage brake pads on to disc(s). Check for correct engaging and pressure point of the brake. After releasing the brake the wheel should again rotate freely.



Step 7

Note: New brake pads- and discs need bedding in. Brake performance can be severely reduced during this period. Avoid continuous- or harsh brake actions during the first 200 km/125 miles. Repeated hard braking during the bedding in period can result in gripping, brake-loss and damaged pads.

*Consult a certified dealer of professional mechanic if you are not fully qualified in motorcycle maintenance. Moto-Master cannot be held responsible for any damage or injury caused by incorrect product mounting, disregarding specifications and these instructions, or product mounting by an unqualified third party.



For more info, check:

www.moto-master.com