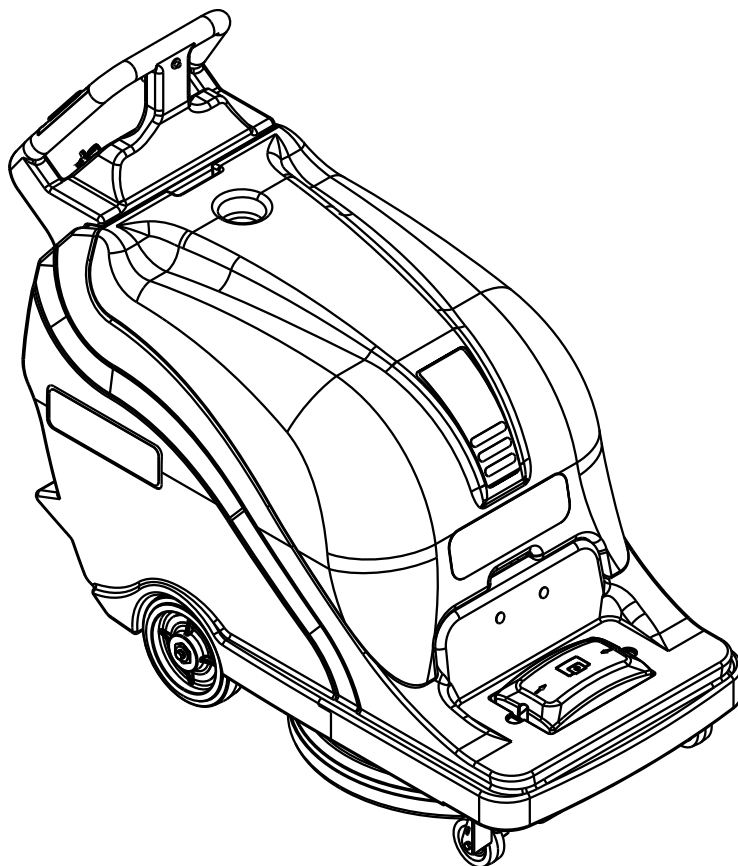


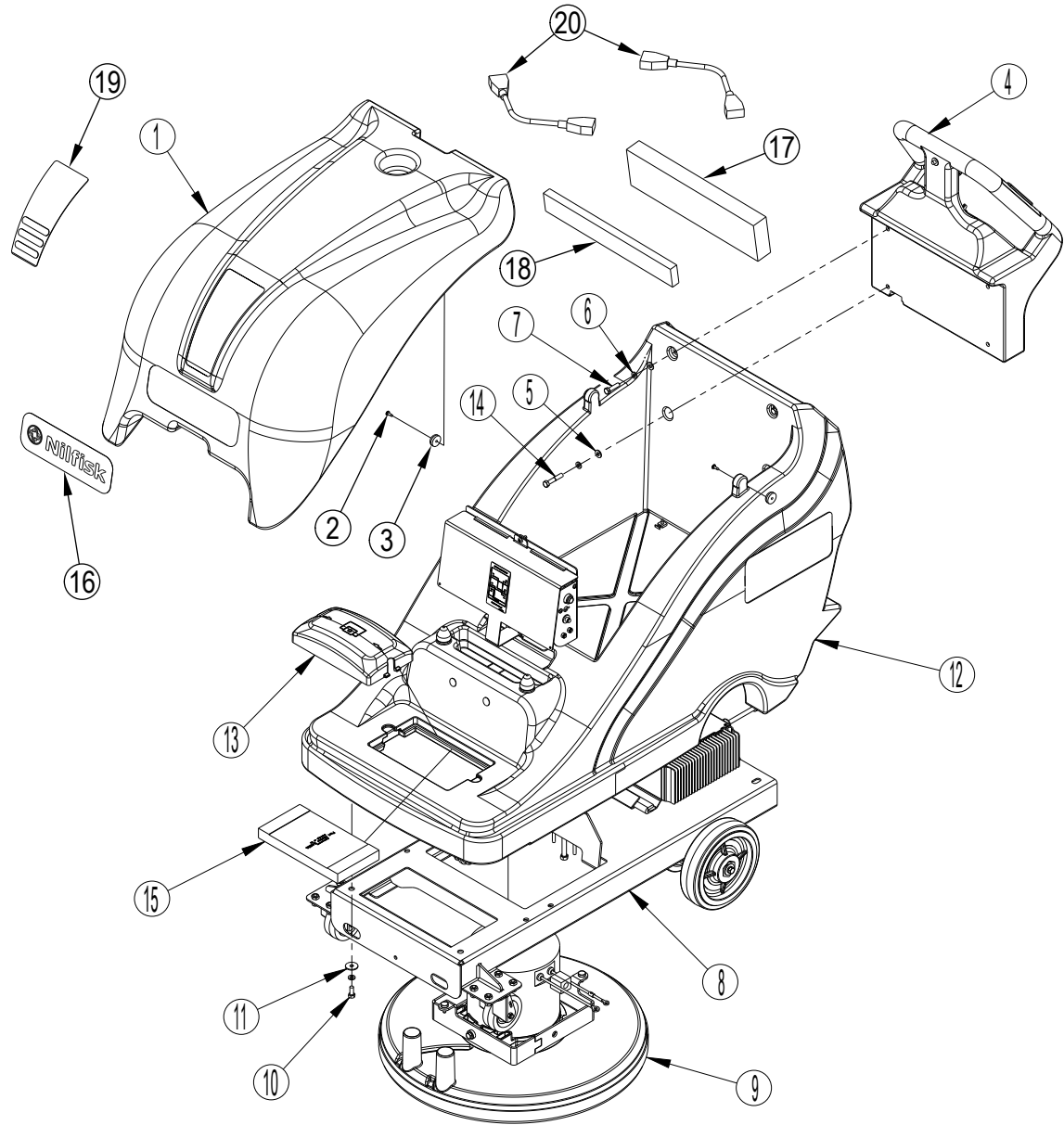
PARTS LIST



2019.03.25

TABLE OF CONTENTS

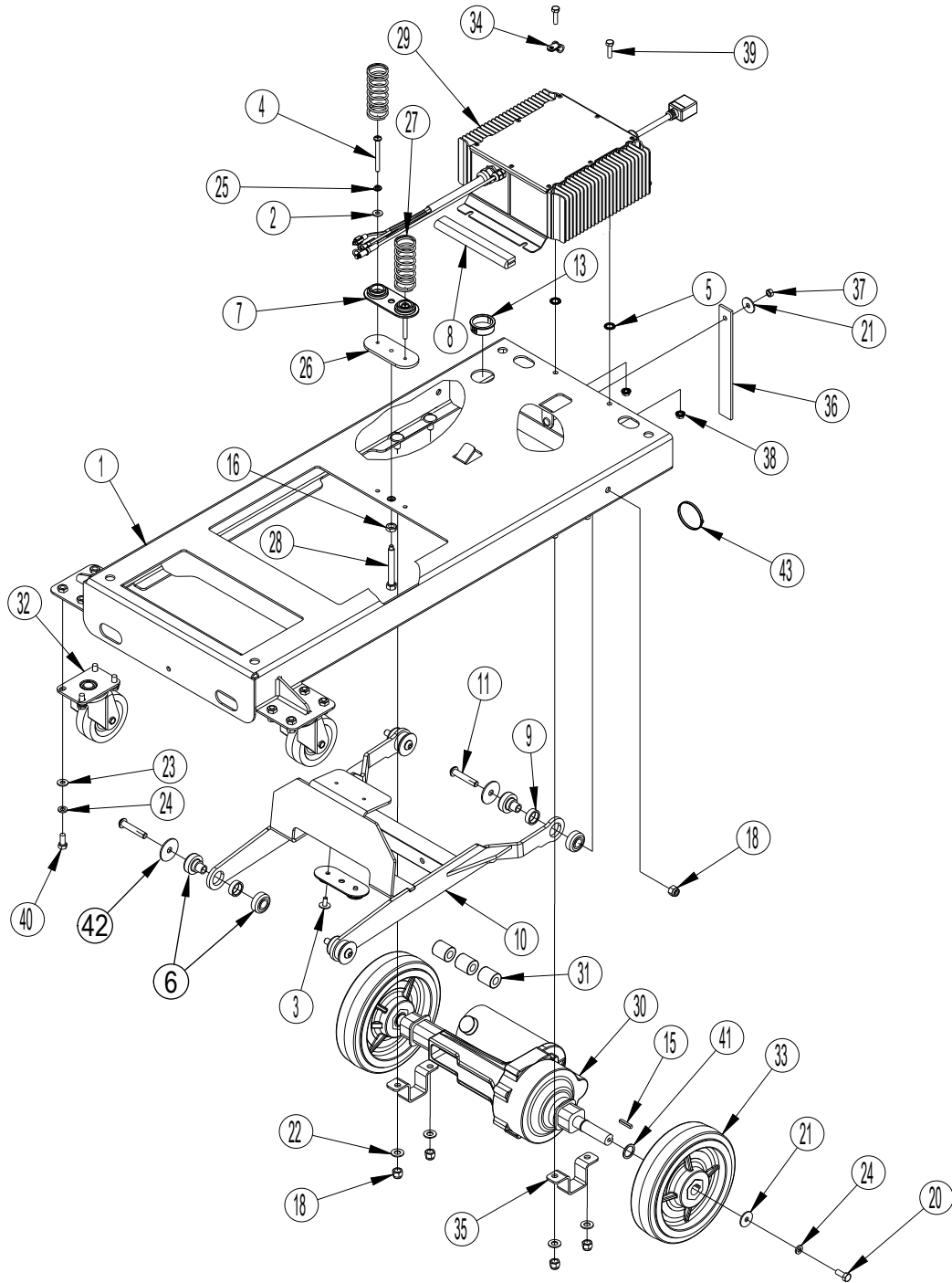
Assembly - BU800	1
Frame Assembly	3
Handle Assembly	5
Body Assembly	7
Head Assembly	9
Active Vac Kit	11
Transaxle	13
Ladder Diagram	15
Recommended Spare Parts	17
56383233 - BURNISHER ANTI-VIBRATION KIT	19



Pos.	Artikel-Nr.	Menge	Variante	Notes
1	56383542	1	COVER-TOP-BU800	
2	962957	2	Schraube Nr. 10-16X	
3	51609A	2	BUMPER-REAR	
4		1	Handle, Asm.	[1]
5	980651	4	Flachscheibe 5/16 SAE	[2]
6	980652	8	Scheibe LK 5/16 REG	
7	85814A	2	Sechskantschraube	
8		1	Frame Assembly, 20" Traverse	[3]
9		1	Head Assembly, 20"	[4]
10	85811A	4	Sechskantschraube	[5]
11	980205	4	Scheibe	
12		1	Body Assembly	[6]
13	30741A	1	COVER DUST BAG	
14	56002368	2	SCR HEX THD/HD 5/16-18X1.	[7]
15	54195A	1	Staubbeutel, VPE 10	
16	56016731	1	Aufkleber Nilfisk	
17	56383330	1	SPACER BATTERY	
18	56383494	1	SPACER-BATTERY-15.5X2.0X.75	
19	56383545	1	DECAL-FRONT-STRIPE	
20	41217A	2	CABLE BATTERY KIT 14662B	
	9100000882	3	CLAMP BATTERY PLUS 2 PCS SET	[8]
	9100000883	3	CLAMP BATTERY MINUS 2 PCS SET	[8]
			ACCESSORIES	
	56044650	1	LITERATURE PACK	
	54195A	1	Staubbeutel, VPE 10	
	11223A	1	Absaug-Set, kpl., aktiv	
	976240	1	PADS CS20 AQUA ULTRA HS CS/5EA	[9]

Part Notes:

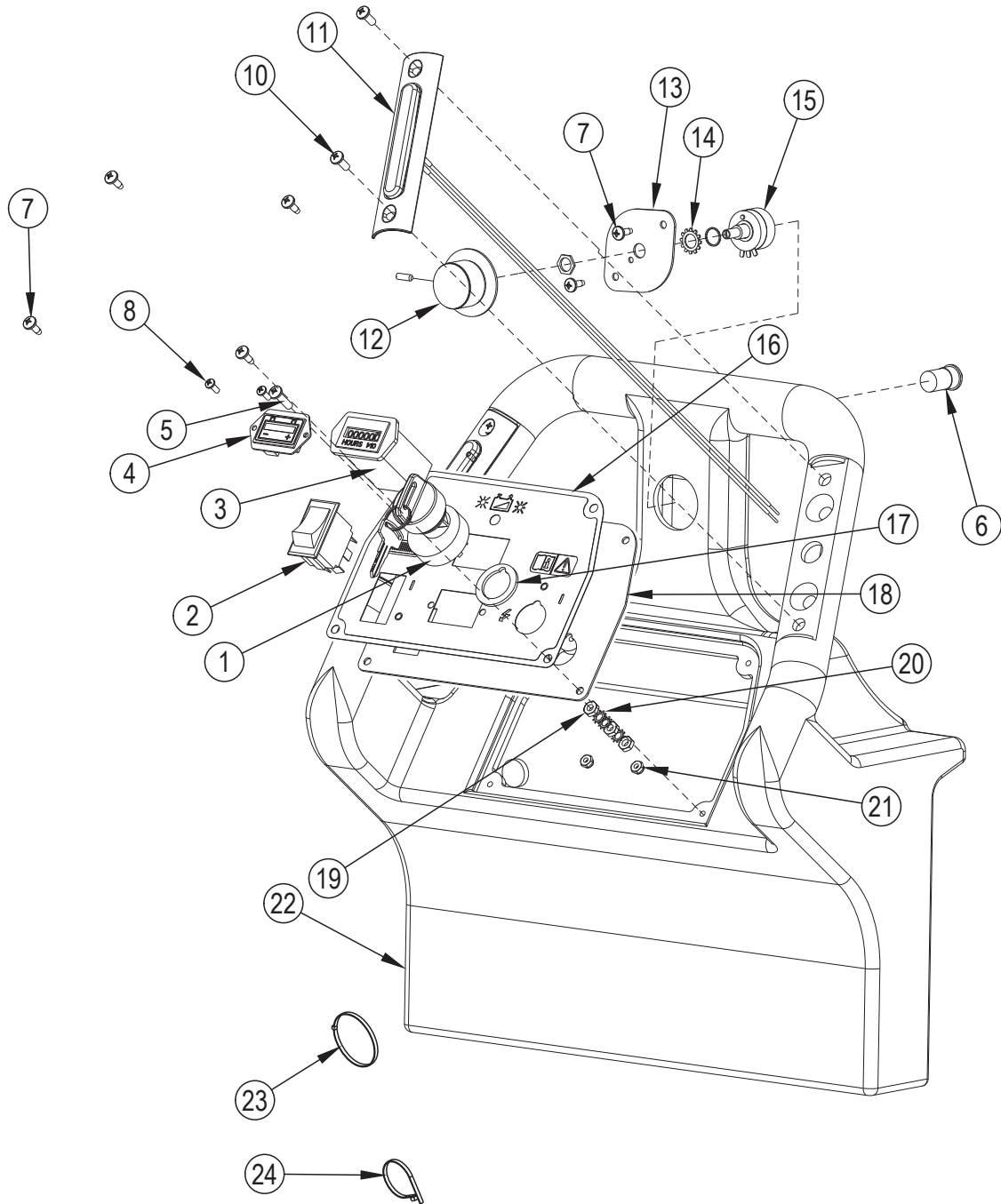
- [1] - Handle Assembly
- [2] - EXPIRED USE 56001939
- [3] - Frame Assembly
- [4] - Head Assembly
- [5] - EXPIRED USE 56002667
- [6] - Body Assembly
- [7] - GUARANTEE DATE EXPIRED
- [8] - Not Shown
- [9] - COMPLEXITY REDUCTION



Pos.	Artikel-Nr.	Menge	Variante	Notes
1		1	Chassis Weldment	
2	56002098	2	Scheibe	
3	56109766	2	SCREW BUTTON HEAD 1/4-20 X .63	
4	962950	2	SCREW 1/4 20X3 PN ST PH	[1]
5	56003859	2	WASH-SERRATED EXT SS M10	
6	56383251	4	MOUNT VIBRATION DAMPING	
7	56383203	2	SEAT SOFT SPRING	
8	56383204	1	GASKET CHARGER	
9	56383205	4	SPACER STEEL	
10	56383212	1	HEAD LIFT WELDMENT 20/24	
11	56383250	4	SCR BUTTON SOC 3/8-16 X 2.00	
13	87060A	1	BUSHING INSULATING	
15	915044	2	Passfeder, Vierkant,	
16	920148	1	NUT 3/8 -16 HEX JAM	[2]
18	920342	6	Sicherungsmutter	[3]
19	962244	4	Bolzen 3/8 16 X HHCS	[4]
20	962620	2	Schraube 5/16-24X 3/4	
21	980205	3	Scheibe	
22	980645	4	Scheibe 3/8	[5]
23	980651	8	Flachscheibe 5/16 SAE	[6]
24	980652	10	Scheibe LK 5/16 REG	
25	980657	2	Scheibe 1/4 STD	
26	56381751	1	PLATE SPRING BASE	
27	56381854	2	SPRING COMPRESSION	
28	56382846	1	SCREW HEAD PRESSURE ADJ	
29	41036A	1	Ladegerät 36V-21A	
30	41043A	1	Fahrtrieb 36V	
31	47202A	3	Entstörer, elektromagn.	
32	56383396	2	CASTER SWIVEL 3.5 SEALED	
33	54692A	2	WHEEL 8 TRAVERSE	
34	54768A	1	CLAMP P 5/16 STEEL	
35	62435A	2	Schelle, Antriebseinheit	
36	69639A	1	Statikband (FUSION)	
37	56002491	1	Stopmutter 1/4-20	
38	81220A	2	NUTHEX SERRATED FLANGE1/4-20	[7]
39	85700A	2	Sechskantschraube	
40	85811A	8	Sechskantschraube	[8]
41	87616A	2	Scheibe 1.00X.75X.06	
42	56383253	4	WASHER SNUBBING	
43	699202	4	Band, Draht 935A	

Part Notes:

- [1] - GUARANTEE DATE EXPIRED
- [2] - EXPIRED USE 56009085
- [3] - EXPIRED USE 56002769
- [4] - EXPIRED USE 56002127
- [5] - EXPIRED USE 56002063
- [6] - EXPIRED USE 56001939
- [7] - EXPIRED USE 56001827
- [8] - EXPIRED USE 56002667



Pos.	Artikel-Nr.	Menge	Variante	Notes
1	40786A	1	Schlüsselschalter	
2	47381B	1	Schalter, zweipolig	
3	912226	1	Stundenzähler 12V DC	
4	41008A	1	METER TRUCHARGE	
5	85383A	1	Schraube 10-32X 3/4 PN SB	
6	52556A	1	Tastenschalter rückwärts	
7	962957	6	Schraube Nr. 10-16X	
8	85313C	2	SCREW 6-32 X 3/8 PAN HD	
9			Intentionally Omitted	
10	80104A	4	Schraube 10-32 x 1/2 OVAL	
11	11178A	2	Griffschalter	
12	50962A	1	Bedienknopf	
13	61922A	1	PLATE POTENTIOMETER	
14	980666	1	Klemmring 3/8 (10)	
15	40750A	1	Kabelsatz Potentiometer	
16	71424A	1	LABEL CONTROL PANEL ADV 20BT	
17	40786S	1	SPACER KEY SWITCH FOCUS	
18	61906A	1	PANEL CONTROL ADVOLUTION TRAV	
19	920224	3	Sechskantmutter 10X32	
20	980603	4	Sicherungsscheibe, Nr. 10	[1]
21	920056	2	Mutter 6x32	[2]
22	30684A	1	HANDLE ADVOLUTION 20BT	
23	699202	1	Band, Draht 935A	
24	56478246	1	CABLE TIE E00549 RE438BA	

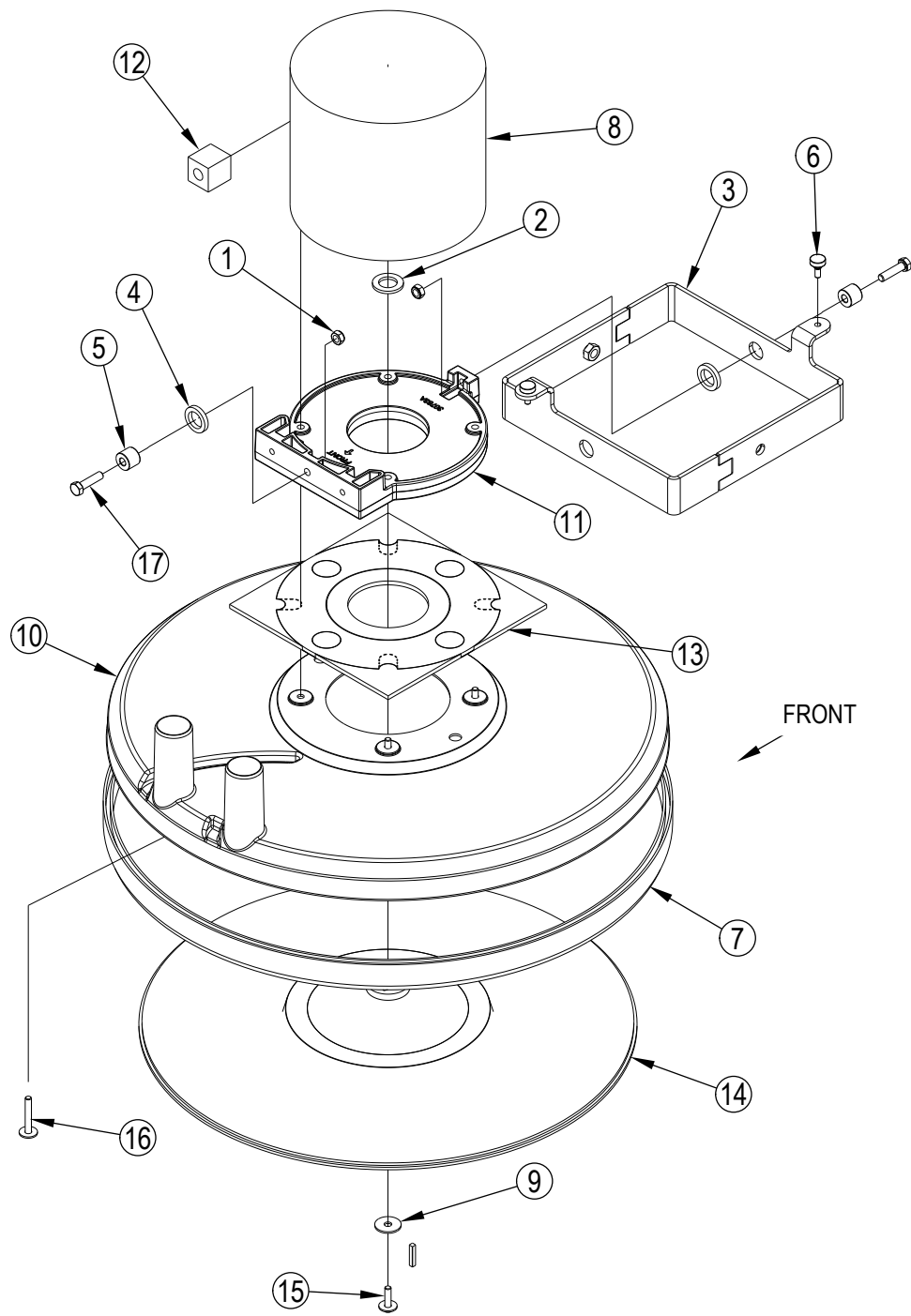
Part Notes:

- [1] - EXPIRED USE 310USP
 [2] - EXPIRED USE 16USP

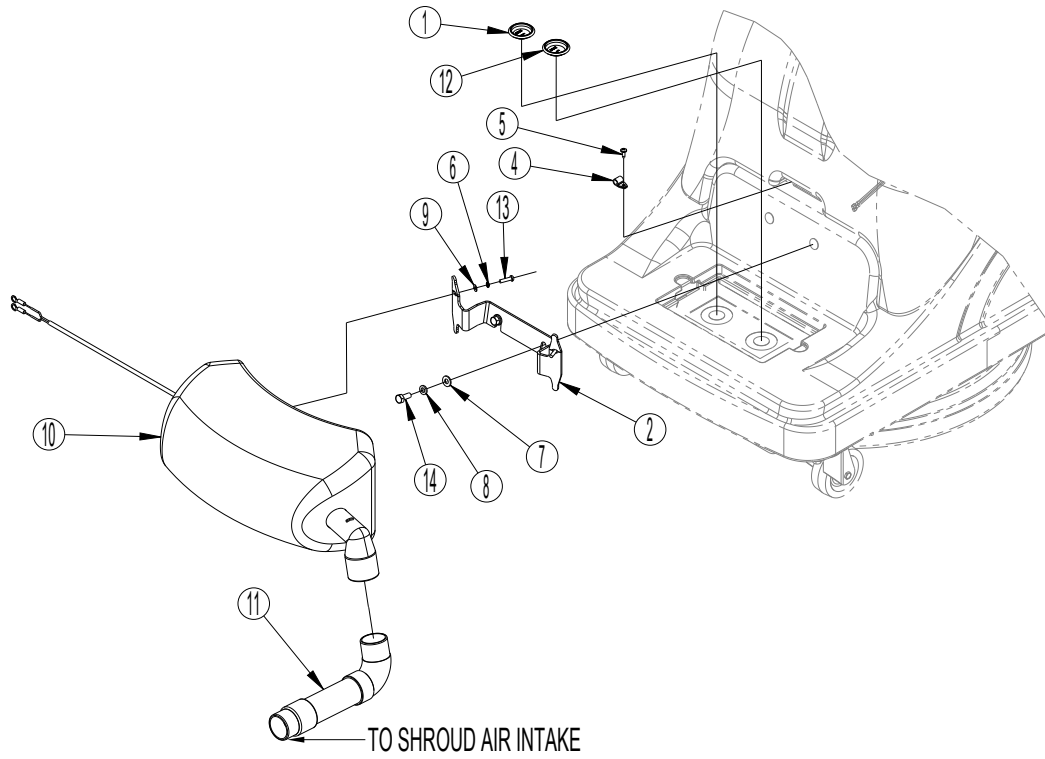
Pos.	Artikel-Nr.	Menge	Variante	Notes
1	56009148	3	NUT, HEX MACHINE 8-32	
2	920208	4	Sechskantmutter 1/4-20	[1]
3	56002507	1	SCR PAN PHIL 1/4-20 X .75	
4	962823	5	Schraube 1/4-20X 1/2	[2]
5	962957	3	Schraube Nr. 10-16X	
6	980614	4	U-Scheibe	
7	980651	2	Flachscheibe 5/16 SAE	[3]
8	980652	2	Scheibe LK 5/16 REG	
9	56002873	3	Mutter HEX NYL LOC 10-32	
10	56381710	1	PLATE ELECTRICAL WLDMT	
11	56383244	3	TRIM LOCK 4-INCH	
12	56383487	1	SWITCH-TILT	
13	56383544	2	DECAL-BU800-NILFISK	
14	56393722	1	CIRCUIT BREAKER 70A	
15	30778A	1	BODY ADVOLUTION 20B & 20BT	
16	38739A	1	COVER HARNESS	
17	38740A	1	STRAP DUST BAG	
18	40770A	1	CORD CHARGER EURO WB FOCUS	
19	41007A	1	Relais	
20	41022A	1	Diode	
21	41038A	1	HARNESS LOGIC 20 BAT BURN TRA	
22	41041A	1	HARNESS POWER 20 BAT BURN TRA	
23	41042A	1	Antriebssteuergert	
24	41448B	1	Schutzschalter 30A Taste	
25	41801A	2	Schütz 36V	
26	42401A	1	Diode, kpl., Schütz	
27	52548A	3	Schraube TAB 1/4	
28	54770A	2	FASTENER RATCHET	
29	61598A	1	BRACKET CORD WRAP	
30	61909A	1	COVER ELECTRICAL PANEL	
31	79984A	1	LABEL CONNECTION DIAG 20 TRAV	
32	79985A	1	LABEL BATTERY CONNECTION	
33	80380A	2	SCREW 8-32 X 1-1/4 PH	
34	84237A	6	Flachkopfschraube	
35	85395A	2	SCREW 1/4 20 X 1/2 PAN HD SS	
36	85811A	2	Sechskantschraube	[4]
37	87200A	3	Zahnscheibe Nr. 8	
38	98470A	3	PHILLIPS 10-32 x 1.0	
39	699202	9	Band, Draht 935A	
40	56478246	4	CABLE TIE E00549 RE438BA	

Part Notes:

- [1] - EXPIRED USE 2-00-00594
- [2] - EXPIRED USE 56002145
- [3] - EXPIRED USE 56001939
- [4] - EXPIRED USE 56002667



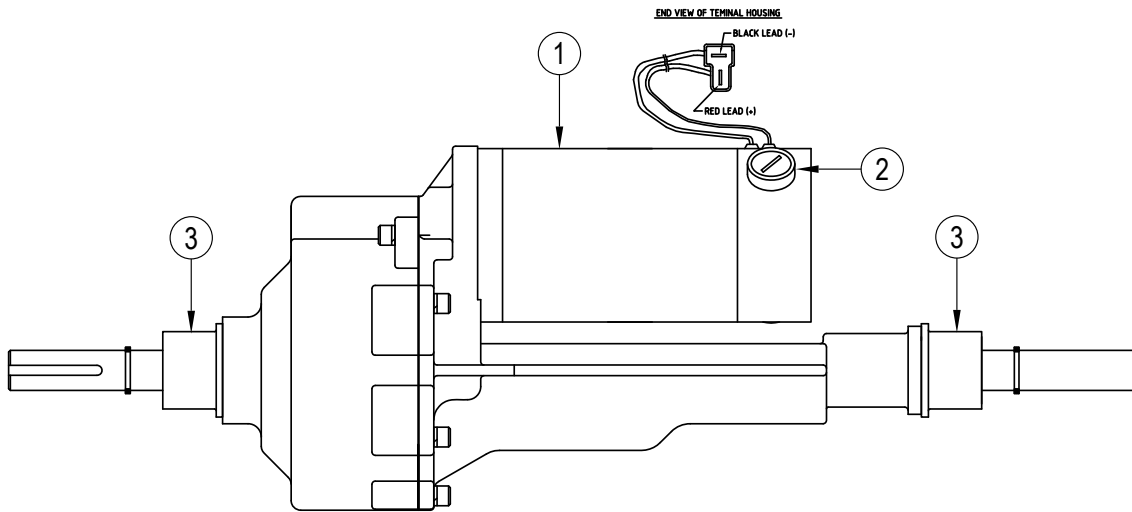
Pos.	Artikel-Nr.	Menge	Variante	Notes
1	56002826	2	NUT HEX NYLOC THIN 5/16-1	
2	56009022	1	Scheibe-U	
3	56383206	1	MOTOR MOUNT WELDMENT	
4	56383218	2	WASHER RUBBER	
5	56383219	2	SPACER	
6	56383224	2	BUMPER BUTTON	
7	56393565	1	Gummischutz	
8	41066A	1	Bürstenmotor	
	56407500	1	Bürstenkit (Satz)	
9	980205	1	Scheibe	
10	30739A	1	Shroud Dust	
11	30783A	1	Motorhalterung	
12	40849A	1	SUPPRESSOR EMI SPLIT	
13	54435A	1	Dichtung, 2 Stck.	
14	56925A	1	Padhalter kpl.	
	57369A	1	Halter, TellerRetainer Pad Bot Half Only	
15	80292A	1	SCREW .25-20 X 1.00 BHHR SEMS	
16	80297A	4	SCREW 1/4-20 X 1.75 BH ZP SEMS	
17	85814A	2	Sechskantschraube	



Pos.	Artikel-Nr.	Menge	Variante	Notes
	11223A	1	Absaug-Set, kpl., aktiv	[1]
1	56380133	1	PLUG-HOLE 1-5/16	[2]
2	56383226	1	BRACKET ACTIVE VAC	
4	872102	1	Nylonclip 5/16 Außen-	
5	962957	1	Schraube Nr. 10-16X	
6	980650	2	Sicherungsscheibe	
7	56001939	2	Flachdichtung 5/16	
8	980652	2	Scheibe LK 5/16 REG	
9	980982	2	Flachscheibe Nr. 10 SAE	
10		1		[3]
11	38044A	1	HOSE VAC	
12	38045A	1	PLUG HOLE 1 3/8	[2]
13	80205A	2	SCREW M5-.8 X 20MM P.P.HD	
14	85811A	2	Sechskantschraube	[4]
			Accessories	
	140 6554 010	A/R	Staubbeutel, VPE 5	
	140 6794 010	A/R	Vorfilter Motorschutz, rund	
	140 6597 500	A/R	Abluftfilter, VPE 3	
	140 6908 000	A/R	Staubbeutel, Stoff	

Part Notes:

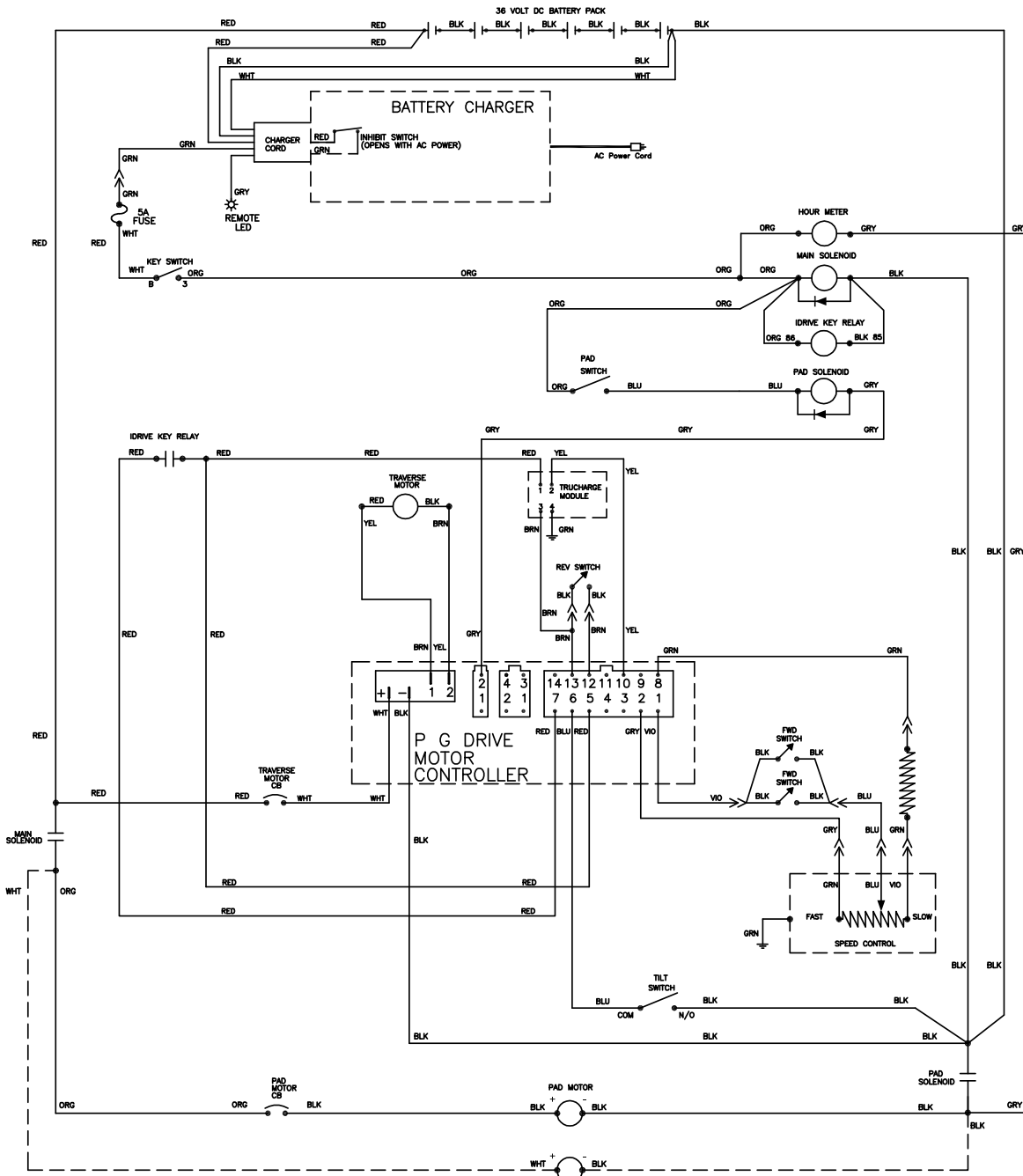
- [1] - This is offered as an optional kit only
- [2] - Optional usage depending on application
- [3] - The vacuum unit is not available separately. If you need to replace it please order the kit 11223A
- [4] - EXPIRED USE 56002667



Pos.	Artikel-Nr.	Menge	Variante	Notes
1	52804A	1	MOTOR-TRANSAXLE	[1]
2	56385098	1	MOTOR BRUSH KIT 2PC	
3	56315379	2	Montagehülse	
	52801A	1	COUPLER-MOTOR DRIVE	

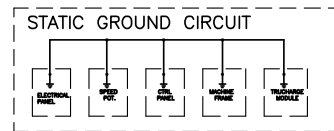
Part Notes:

[1] - Voltage: 36 VDC - Free Speed: ~ 130 RPM - Torque: 140 in-lbs @ 110 RPM (Ref. Only)



- PENNY & GILES
CONTROL CONNECTIONS**
- 1 THROTTLE WIPER
 - 2 THROTTLE HIGH
 - 3 AUX 2 OUT
 - 4 SLOW/FAST SWT
 - 5 KEY SW
 - 6 INHIBIT 1 PROGRAM TO INHIBIT TRAV AND PAD WHEN TILT SWITCH IS CLOSED
 - 7 FUSED 36V OUT
 - 8 THROTTLE LOW
 - 9 BELLY SWT
 - 10 STATUS IND.
 - 11 AUX 3 OUT
 - 12 REV SWT
 - 13 0 VOLT
 - 14 INHIBIT 2 CHARGER

OPTION
ACTIVE VAC
(120VAC OPERATES AT
36VDC)



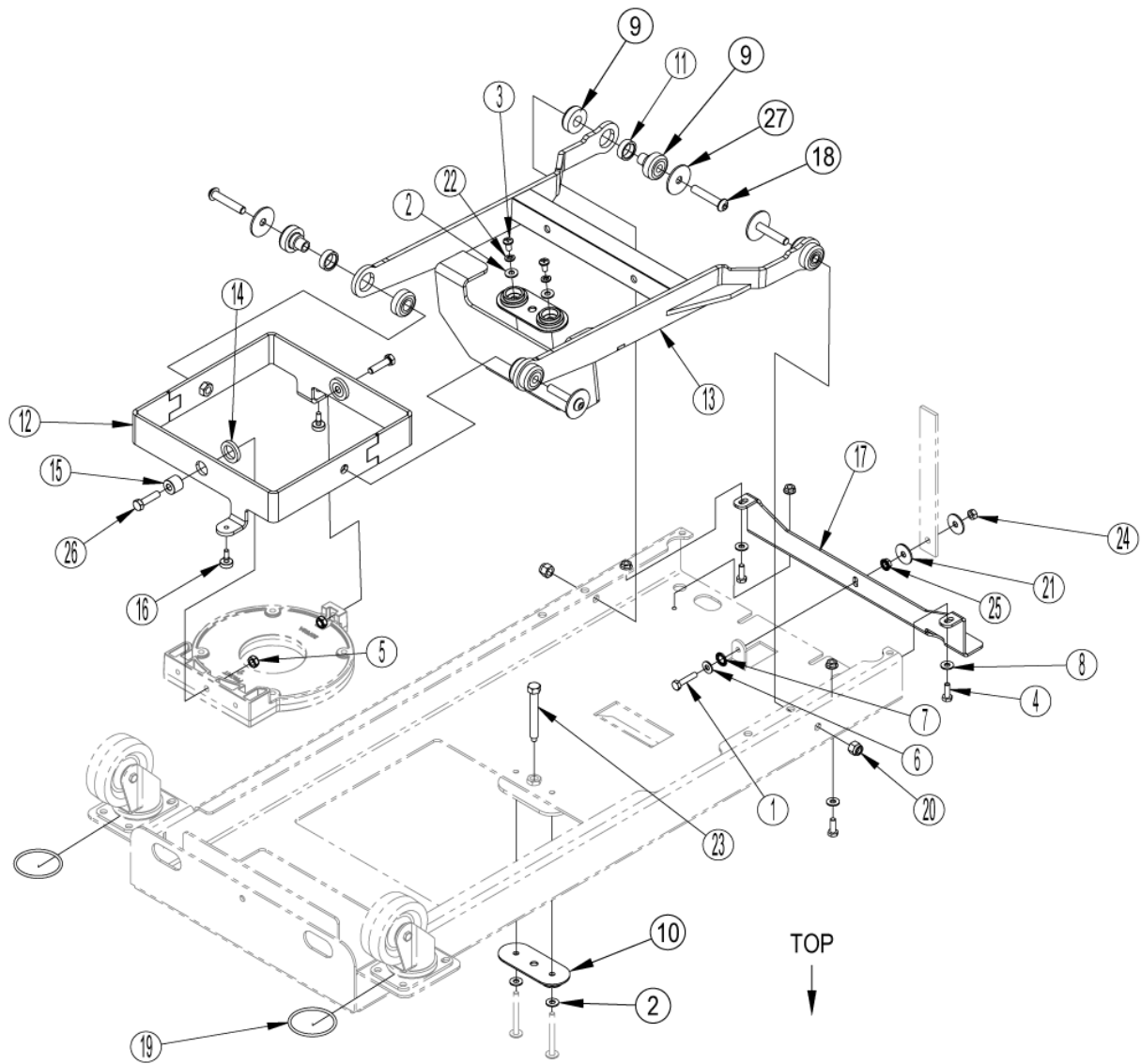
**No
Diagram
Available**

**Parts List
Only**

Pos.	Artikel-Nr.	Menge	Variante	Notes
	54195A	1	Staubbeutel, VPE 10	[1]
	56393565	1	Gummschutz	[1]
	57369A	1	Halter, Teller	[1]
	56383251	4	MOUNT VIBRATION DAMPING	[2]
	56383396	2	CASTER SWIVEL 3.5 SEALED	[2]
	54692A	2	WHEEL 8 TRAVERSE	[2]
	56407500	1	Bürstenkit (Satz)	[2]
	41066A	1	Bürstenmotor	[2]
	56925A	1	Padhalter kpl.	[2]
	52804A	1	MOTOR-TRANSAXLE	[2]
	56315379	2	Montagehülse	[2]
	52803A	2	Kohlebürste	[3]
	41043A	1	Fahrtrieb 36V	[4]
	41036A	1	Ladegerät 36V-21A	[4]
	40786A	1	Schlüsselschalter	[4]
	47381B	1	Schalter, zweipolig	[4]
	41008A	1	METER TRUCHARGE	[4]
	11178A	2	Griffschalter	[4]
	40750A	1	Kabelsatz Potentiometer	[4]
	71424A	1	LABEL CONTROL PANEL ADV 20BT	[4]
	41801A	2	Schütz 36V	[4]
	41042A	1	Antriebssteuergerät	[4]
	56383487	1	SWITCH-TILT	[4]
	41007A	1	Relais	[4]
	56393722	1	CIRCUIT BREAKER 70A	[4]
	41448B	1	Schutzschalter 30A Taste	[4]

Part Notes:

- [1] - NORMAL WEAR
 [2] - ORDINARY MAINTENANCE
 [3] - USE 2PC KIT 56385098
 [4] - ORDINARY MAINTENANCE
 [4] - EXTRAORDINARY MAINTENANCE



Pos.	Artikel-Nr.	Menge	Variante	Notes
00	56383233	1	KIT-BURNISHER ANTI-VIBRATION	[1]
01	56001878	1	SCR HEX HD 1/4-20 X 1.25	
02	56002098	4	Scheibe	
03	56002145	2	Schraube 1/4 20x .50	
04	56002155	4	SCR HEX 1/4-20 X .75	
05	56002826	2	NUT HEX NYLOC THIN 5/16-1	
06	56002859	1	Mutter SS 1/4	
07	56003859	1	WASH-SERRATED EXT SS M10	
08	56009064	4	Unterlegscheibe	
09	56383251	4	MOUNT VIBRATION DAMPING	
10	56383203	2	SEAT SOFT SPRING	
11	56383205	4	SPACER STEEL	
12	56383206	1	MOTOR MOUNT WELDMENT	
13	56383212	1	HEAD LIFT WELDMENT 20/24	
14	56383218	2	WASHER RUBBER	
15	56383219	2	SPACER	
16	56383224	2	BUMPER BUTTON	
17		1	STIFFENER-FRAME BOLT-ON	
18	56383250	4	SCR BUTTON SOC 3/8-16 X 2.00	
19	56900038	2		
20	56002769	2	Stopmutter 3/8-16	
21	980205	2	Scheibe	
22	980657	2	Scheibe 1/4 STD	
23	56382846	1	SCREW HEAD PRESSURE ADJ	
24	81104A	1	Mutter 1/2-20,	
25	56001827	5	NUT HEX SERRATED 1/4-20	
26	85814A	2	Sechskantschraube	
27	56383253	4	WASHER SNUBBING	

Part Notes:

[1] - TSB-FC-2013-119 Battery Burnisher Vibration

