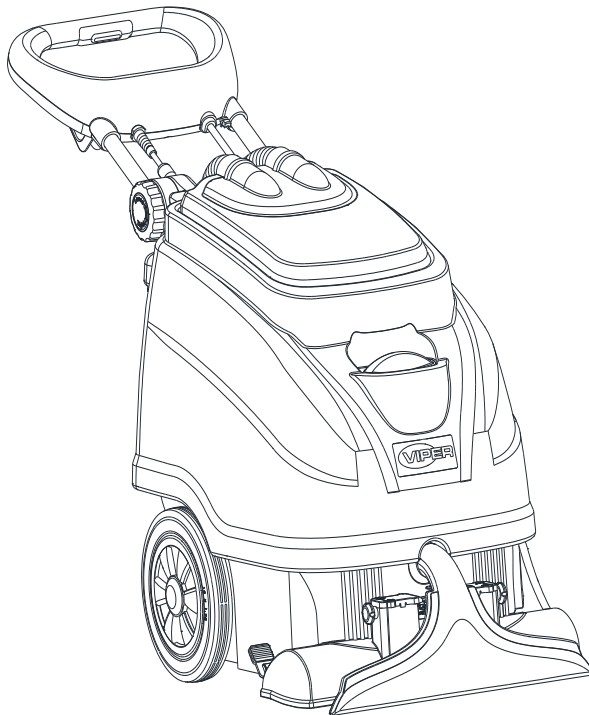




# CEX410 Carpet Extractor


## Owner's manual



Models:CEX410-EU

REV A (2018/6/28)

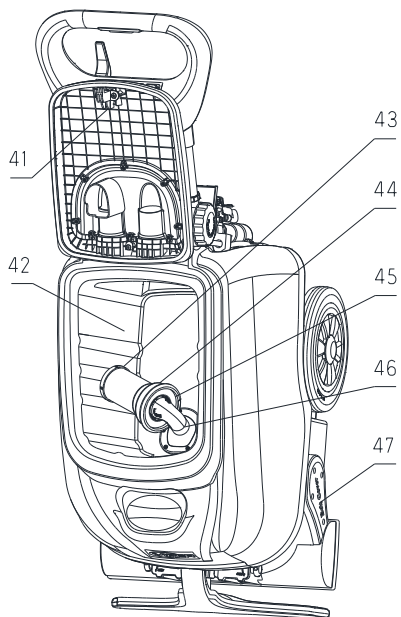
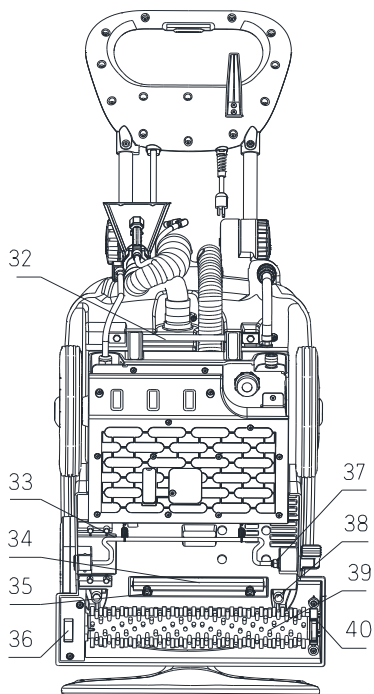
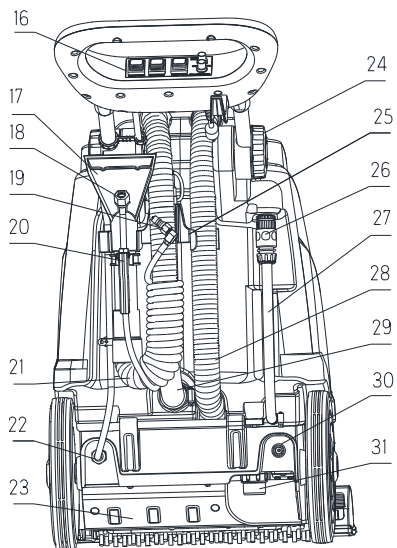
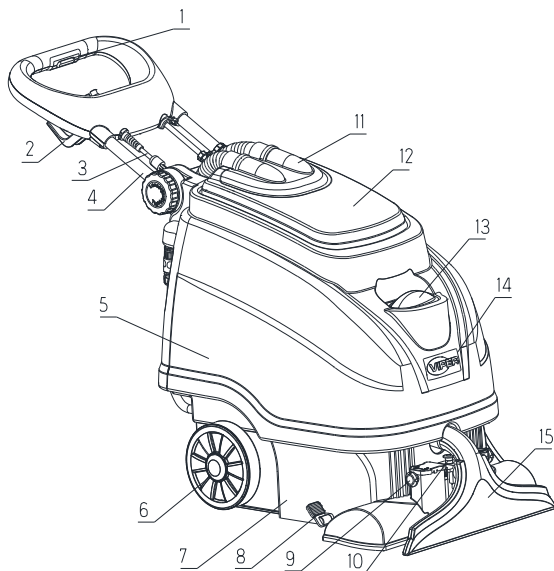
Form No:VV81256 Original instructions

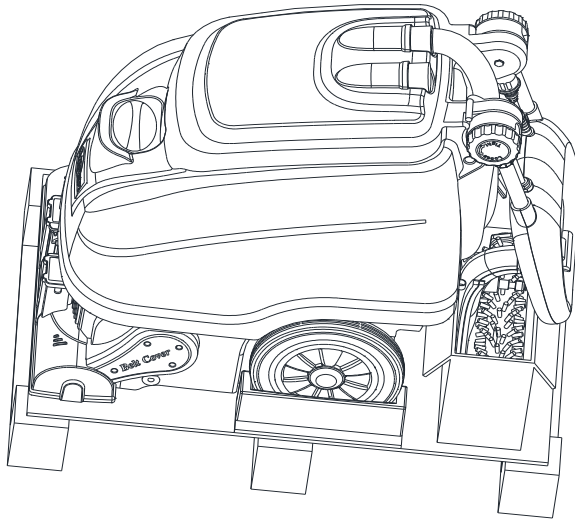
 **Caution** –Read the instructions before using the machine

## TABLE OF CONTENTS

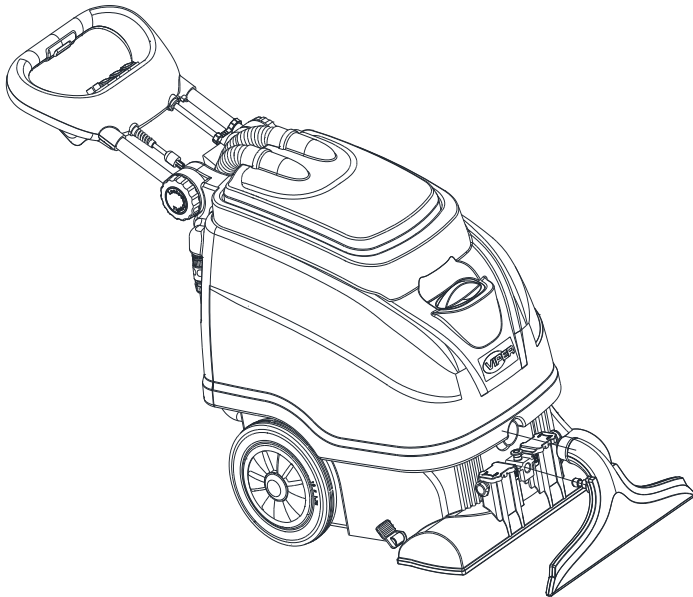
ENGLISH.....	2-14
FRANÇAIS.....	15-19
ESPAÑOL.....	20-24
DEUTSCH.....	25-29
NEDERLANDS.....	30-34
ITALIANO.....	35-39
NORSK.....	40-44
SVENSKA.....	45-49
DANSK.....	50-54
SUOMI.....	55-59
PORTUGUÊS.....	60-64
ΕΛΛΗΝΙΚΑ.....	65-70
TÜRKÇE.....	71-80
SLOVENŠČINA.....	81-85
ČESKÝ.....	86-90
POLSKI.....	91-95
MAGYAR.....	96-100
ROMÂNĂ.....	101-105
БЪЛГАРСКИ.....	106-110
РУССКИЙ.....	111-115



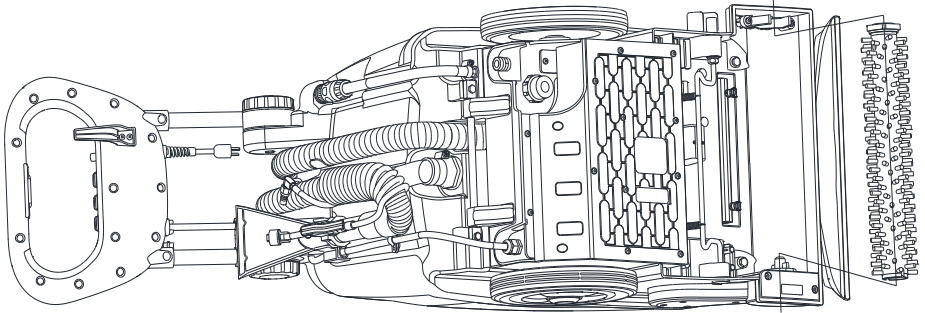




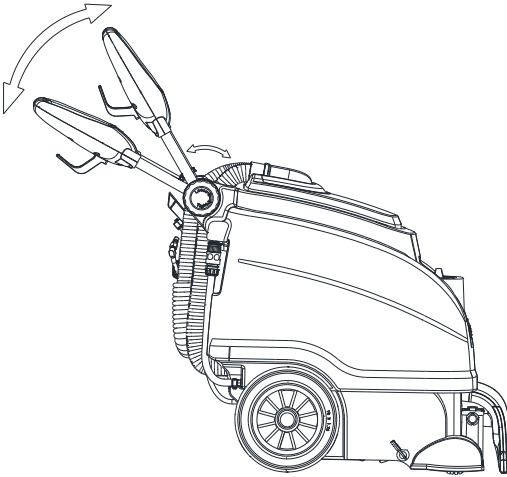
**F1**



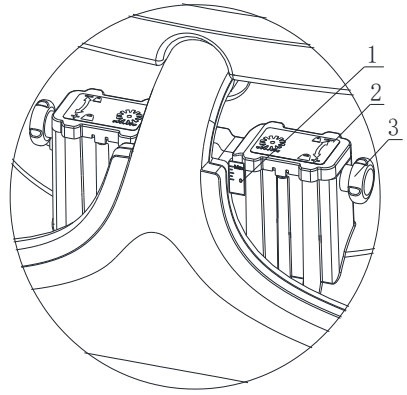
**F2**



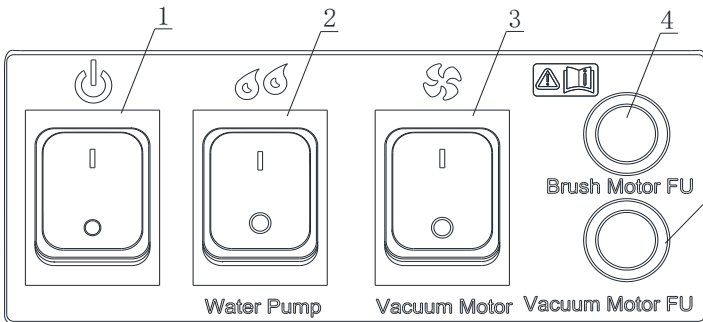
**F3**



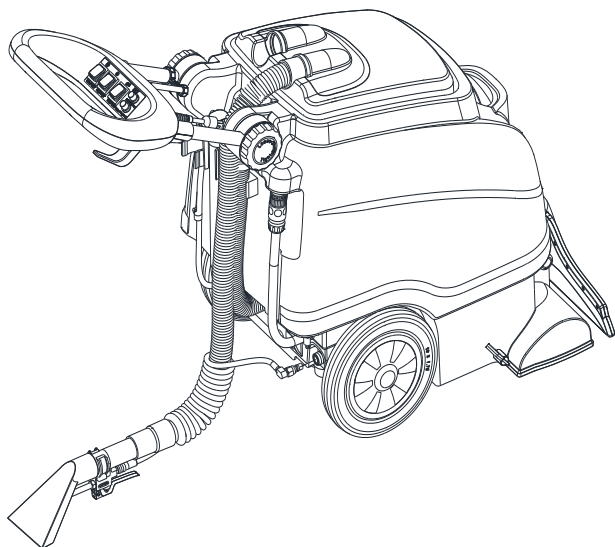
**F4**



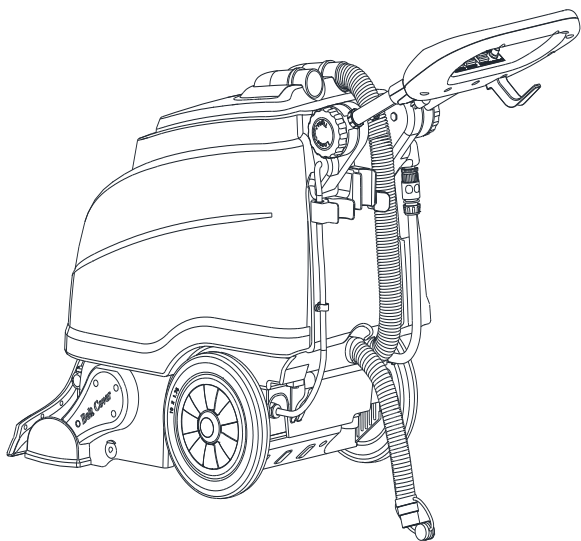
**F5**



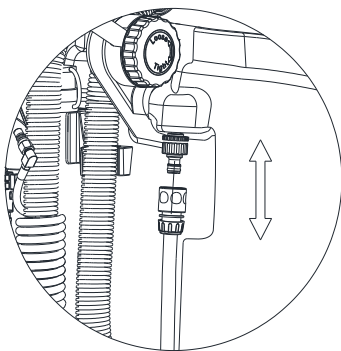
**F6**



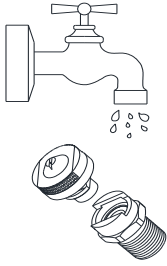
**F7**



**F8**



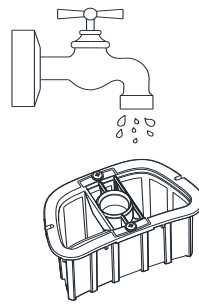
**F9**



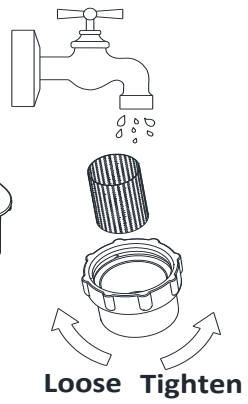
**F10**



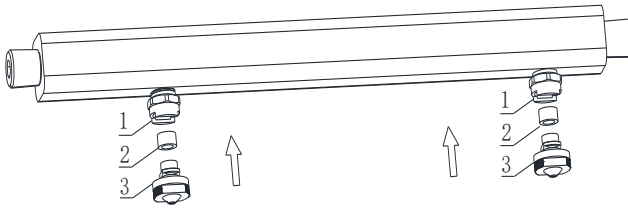
**F11**



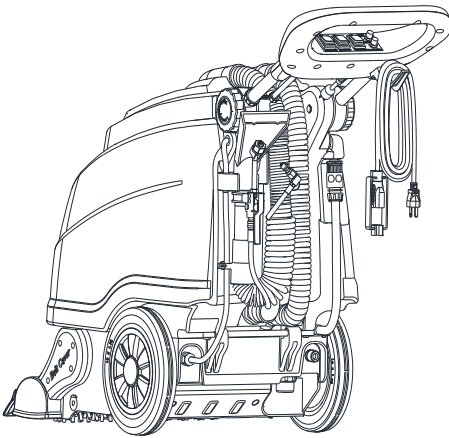
**F12**



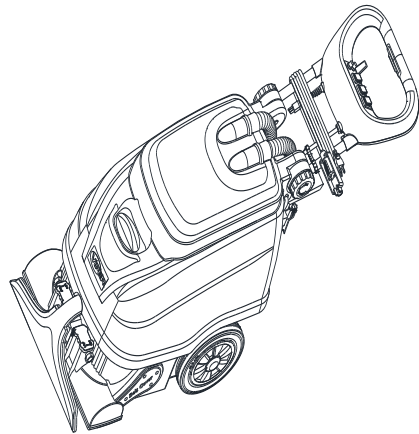
**F13**



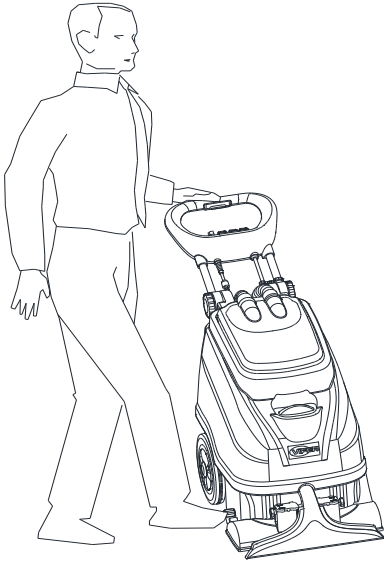
**F14**



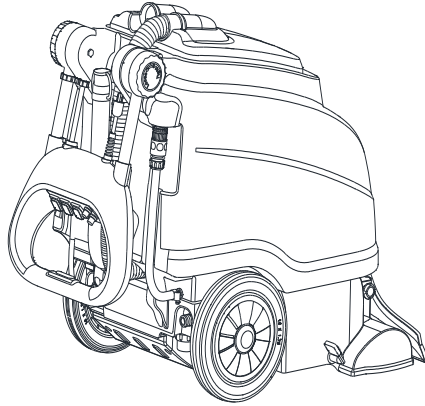
**F15**



**F16**

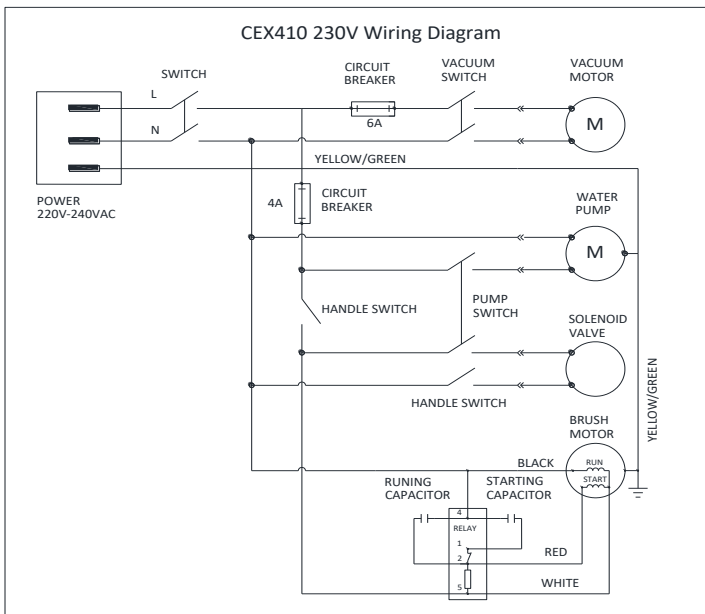


**F17**



**F18**

**Wiring diagram (F19)**





## Technical specifications (F20)

	TECHNICAL SPECIFICATION
MODLE	CEX410-EU
VOLTAGE(V)	220~240
RATED POWER(W)	1850
FREQUENCY(Hz)	50/60
CORD(M/ FEET)	15M/50FEET
SOLUTION TANK (L/Gal)	35L/9Gal
RECOVERY TANK (L/Gal)	23L/6Gal
BRUSH MOTOR POWER(HP/W)	400 W
VACUUM MOTOR POWER(HP/W)	1200 W
VACUUM MOTOR STAGES AND TYPE	3-stage tangential
VACUUM MOTOR WATERLIFT (INCH/MM H2O)	3200 MMH2O
VACUUM MOTOR AIRFLOW(CFM,L/MIN)	85CFM,2407L/MIN
SOUND PRESSURE LEVEL(dBA)	70±3
PUMP CUT OFF PRESSURE(Bar/PSI)	8.3Bar/120PSI
PUMP WORKING PRESSURE 2 JETS(Bar/PSI)	5.9Bar/85PSI
PUMP WORKING PRESSURE 1 JET(Bar/PSI)	7.2Bar/105PSI
MACHINE SPRAY TIP MATERAIL	Brass
HAND TOOL SPRAY TIP MATERAIL	Stainless
SOLUTION FLOW 2 JETS (Gal/MIN ,L/MIN)	0.7Gal/MIN ,2.8L/MIN
SOLUTION FLOW 1 JET (Gal/MIN ,L/MIN)	0.5Gal/MIN ,1.8L/MIN
BRUSH SPPED(RPM,Tr/Min)	1100RPM,11Tr/Min
VIBRATION	ah, w=0.74m/s <sup>2</sup>
CLEANING WIDTH (MM/INCH)	410 MM/16 INCH
NOZZLE WIDTH (MM/INCH)	460 MM/18 INCH
HAND TOOL WIDTH (MM/INCH)	121 MM/4.7 INCH
FLOOR TOOL WIDTH (MM/INCH)	254 MM/10 INCH
REAR WHEEL DIAMETER (MM/INCH)	254 MM/10 INCH
MACHINE NET WEIGHT (Lbs./KG)	121Lbs./55 KG
SHIPPING WEIGHT (Lbs./KG)	143Lbs./65 KG
MACHINE WEIGHT WITH SOLUTION WATER(Lbs./KG)	176Lbs./80 KG
MACHINE DIMENSION (L x W x H) (INCH/MM)	46 x20 x35 inches 1170 x 510 x 880 MM
SHIPPING DIMENSION (L x W x H) (INCH/MM)	35.5 x24 x36.5 inches 900 x 605 x 925 MM
HEIGHT WITHOUT HANDLE (INCH/MM)	28.5 inches/725 MM

## SCRAPPING

Have the machine scrapped by a qualified scrapper

Before scrapping the machine,remove and separate the following materials,which must be disposed of property according to the Law in force:

- Batteries
- Brushes
- Plastic hoses and components
- Electrical and electronic components(\*)

(\*) Refer to the nearest Nilfisk Center especially when scrapping electronic components.

### CEX410 machine material composition and recyclability (F21)

Type	Recyclable percentage	weight percentage
Aluminium	100%	6%
Electric motors-various	35%	25%
Ferrous materials	100%	8%
Wiring harness	78%	5%
Liquids	0%	0%
Plastic-non-recyclable material	0%	2%
Plastic-recyclable material	100%	44%
Polyethylene	70%	6%
Rubber	20%	4%

**Introduction:** This appliance provides a smart and efficient cleaning solution for carpeted floors. The machine is intended for commercial use, in hotels, schools, hospitals, factories, shops, offices and rental businesses. It is constructed for use in an indoor environment. The purpose of this Manual is to provide the operator with necessary information to use the machine properly and safely. Read it through carefully before performing any operation and maintenance.

## **WARNING: Important safety instructions**

The machine needs to be grounded during operation. To reduce the risk of fire, electric shock, or injury, pay attention to these important warnings. Failure to follow these safety instructions could result in damage to the machine, damage to property or bodily injury.

- 1) Use this machine only as described in this manual. Do not use it in ways it was not intended. Use only manufacturer's recommended accessories.
- 2) Do not leave the machine unattended when it is plugged in. Turn off all switches and unplug the electrical cord when not in use and before servicing.
- 3) Machine shall not be used by children. Children should be supervised to ensure that they do not play with the appliance. Operators shall be adequately instructed on the use of these machines. The appliance is not intended for use by persons with reduced physical, sensory or mental capabilities, or lack of experience and knowledge, unless they have been given supervision or instruction concerning use of the appliance by a person responsible for their safety.
- 4) If the machine is not working as it should, has been dropped, damaged, or left outdoors, return it to a service center before using.
- 5) Avoid electrical shock, do not handle the plug or machine with wet hands. To unplug

the cord, grasp the plug. Do not pull on the cord.

- 6) Do not use extension cords or outlets with inadequate current carrying capacity. Do not use with damaged cord or plug. Connect the machine only to a properly grounded outlet.

Avoid damaging cord (closing doors on cord, pulling around sharp edges or corners, hot surfaces, or running machine over cord).

- 7) This machine creates suction and contains a revolving brush. Keep hair, loose clothing, fingers, and all other parts of the body away from openings and moving parts. Do not insert any object into any of the openings in the machine.

- 8) Do not pick up anything that is burning or smoking, such as cigarettes, matches, or hot ashes.

- 9) Do not use the machine to pick up flammable or combustible liquids such as gasoline.

- 10) Do not use in areas where flammable and/or explosive vapor or dust is present to avoid the possibility of fire or explosion. Some cleaning fluids can produce such vapors. This machine is not suitable for picking up health endangering dust.

- 11) Use extra care when cleaning on stairs.
- 12) The machine is for indoor use only.
- 13) Store the machine in the ventilated, dry area.

### **Unpacking**

When the machine is delivered, carefully inspect the shipping carton and the machine for damage. If any damage, make the carrier aware of the damage and before accepting the goods, reserve the right in compensation of the damage.

The packaging carton includes the following items:

#### **Contents (refer to F1):**

- Carpet Extractor
- Vacuum shoe
- Rolling brush
- 50' extension power cable

#### **Machine identification data**

The machine serial number and model name

are marked on the serial label. This information is useful. Use the following table to write down the machine identification data when requiring spare parts for the machine.

Machine model .....
Machine serial number .....

#### **Machine components** (refer to page 2)

1. spray mode switch 2. power cable hook 3. power cord 4. handle tube (stainless) 5. solution tank 6. rear wheel 7. machine base 8. "Kickstand" pedal 9. base height adjusting knob 10. vacuum shoe knob 11. vacuum hose input 12. dome 13. filling port 14. viper logo 15. vacuum shoe 16. control panel 17. hand tool (optional) 18. hand tool spray nozzle 19. hand tool quick connector 20. hand tool valve handle 21. hand tool vacuum hose 22. cable clamp 23. base panel 24. handle adjusting knob 25. hose clamp 26. sight tube coupling 27. sight tube 28. vacuum hose 29. recovery tank drain hose 30. accessory quick coupler 31. solution filter 32. shaft 33. "Kickstand" machine holder 34. nozzle base 35. spray nozzle 36. wear plate 37. "Kickstand" nut 38. machine assemble bolt 39. rolling brush 40. rolling brush holder 41. recovery tank dome catch 42. recovery tank 43. float filter cover 44. float cover 45. foam filter 46. float filter holder 47. V-belt cover

#### **Vacuum shoe and rolling brush installation**

##### **Vacuum shoe installation (refer to F2):**

- 1) First, placed the machine upright on the floor.
- 2) Lift the vacuum shoe knob.
- 3) Insert the vacuum shoe to suction hose and mounting base in correct position.
- 4) Release the vacuum shoe knob.
- 5) pull back the vacuum shoe, if it doesn't move, the installation is complete.

##### **Rolling brush installation (refer to F3):**

- 1) Place the machine to side position.
- 2) Install one side of the rolling brush with the locating slot to bearing mounting rack and press in the other side to rolling brush holder. Tip: First , squeeze one side of brush

and ensure the end with a groove has been installed in place and then install the other side.

- 3) If the rolling brush rotates smoothly, the installation is complete.

##### **Handle direction and Vacuum shoe / rolling brush height adjustment Handle direction adjustment (refer to F4)**

- 1) The appliance can adjust the height of the handle according to use's stature or personal operation habit.
- 2) Holding the handle adjusting knob and rotate in the opposite direction to loosen the handle.
- 3) Adjust the handle to the appropriate position and tighten the knob.

##### **Vacuum shoe/rolling brush adjustment**

When the machine working in different piles of carpet or the rolling brush has a certain amount of wear and tear, the operators can increase the cleaning performance of the machine by adjusting the height of the vacuum shoe and rolling brush (**refer to F5**)..

- 1) Machine running speed label (0 → MAX indicates the machine speed from slow to fast).
- 2) Rolling brush pressure label (- → + Indicates the pressure on the brush is increasing).
- 3) Vacuum shoe adjustment knob. Holding the vacuum shoe adjustment knob and rotate it in the same direction, move the vacuum shoe up or down to the appropriate position.

##### **Control panel (refer to F6).**

1. Power switch 2. Water pump switch
3. Vacuum motor switch 4. Fuse for roller brush motor 5. Fuse for vacuum motor

##### **Machine operation**

###### **Prior to operation**

- 1) Inspect power cable and extension cable for damage. Replace cable if damage is found.
- 2) Vacuum the area to be cleaned to remove most of the solid debris before using the machine to clean.

## Operation



**WARNING: Do not allow the cord to come into contact with the rotating brushes.**

- 1) Using a hose or bucket, fill the solution tank with hot water. (max. 120°F/50°C, capacity 9 Gal./35L).
- 2) Add distributor recommended detergent.
- 3) Connect the supplied extension power cable to the machine. Plug cord into a grounded wall outlet.
- 4) Turn on power switch and vacuum / pump switch.
- 5) To start cleaning, press the spray mode switch and begin to pull the machine backwards. (Note: appliance will only spray when the pump switch is ON and the spray mode switch is pressed.)
- 6) Release spray button at the end of the path and continue to pull machine back to pick up excess solution.
- 7) Tip machine back onto the transport wheels and push forward to begin next path.



### **Cleaning tips:**

- 1) Run across the surface to be cleaned in overlapping paths.
- 2) Let the detergent solution soak for 5 to 10 minutes on heavily soiled areas and repeat cleaning several times.
- 3) Work away from power outlet and power cable in order to avoid damage to the power cable.
- 4) Continually check for foam buildup in recovery tank. Use a distributor recommended foam control solution. (**Note: Excessive foam buildup will not activate the float shut-off and may cause damage to the vacuum motor.**)
- 5) If the brush stops spinning, there may be an obstruction in the brush. Unplug the power cable, check the brush and remove the obstruction.
- 6) When recover tank is full, or the solution tank is empty, you must drain the recovery tank. (refer to draining reservoir)

### **Operation with accessory tools (Only recommended/authorized parts and accessories should be used).**

An optional accessory hand tool can be attached to clean upholstery and stairs.

Operation with hand tool (**refer to F7**):

- 1) Disconnect the normal vacuum hose out of the dome.
- 2) Insert the accessory vacuum hose into the dome instead of the normal vacuum hose.
- 3) Connect the accessory quick connector to the quick coupler located on the back of the machine.
- 4) Turn on power switch and vacuum motor/ water pump switch.
- 5) Use the lever on the hand tool to spray on detergent solution.
- 6) When cleaning is completed, turn off water pump /vacuum motor switch and then squeeze trigger 3 seconds to relieve water pressure from solution lines.

### **Shutting down**

- 1) Turn off machine, unplug and remove power cable.
- 2) Empty the recovery tank and solution tank. (refer to Draining tanks)

### **Draining tanks**

#### **Draining recovery tank (refer to F8):**

- 1) Move the machine to an appropriate draining location. (Please consider the environment)
- 2) Hold the drain hose for the recovery tank and lower it over the drain. Open the drain hose cover for recovery tank draining.
- 3) Replace the drain hose back onto machine.

#### **Draining solution tank (refer to F9):**

- 1) Move the machine to an appropriate draining location. (Please consider the environment)
- 2) Disconnect the hose coupling and lower the hose for solution tank draining.
- 3) Connect the hose coupling back onto the machine.

### **Machine maintenance**

**⚠ WARNING: Removing the plug from the socket-outlet when replacing parts or converting the machine to another function during cleaning or maintenance.**

To keep the machine performing well and prolong its life time, please perform the following maintenance procedures.

**Daily maintenance**

- 1) Drain and rinse the recovery tank and solution tank.
- 2) Check quick couplers and nozzles. Clean if required (Note: Never use a pointed object to clean nozzles, only rinse them with hot water) (refer to F10).
- 3) Remove float filter from the recovery tank and clean it with water (refer to F11).
- 4) Check filling port filter and clean it with water (refer to F12).
- 5) Check water pump filter below the machine and clean it with water (refer to F13).
- 6) Check rolling brush and remove any debris or carpet fibers.

**⚠ WARNING: Turn off the power switch and disconnect the mains plug before check the rolling brush.**

- 7) Check vacuum shoe and remove any debris or carpet fibers.
- 8) Clean machine with a soft after use.
- 9) Check power cable, extension cord and hoses for damage before each use of the machine.

**Monthly maintenance**

- 1) Check the rolling brush for any wear and tear. Replace if necessary.
- 2) Check hoses and seals to see if there are damages. Replace if necessary.

- 3) Check the machine for water leaks.
- 4) Lubricate wheels.
- 5) Check machine for loose or missing nuts, screws, bolts and replace if necessary.
- 6) Check the V-belt for any wear and tear. Replace if necessary.

**Nozzle installation (refer to F14).**

1. nozzle base
2. rubber seal ring
3. Spray tip nozzle

After the nozzle is cleaned, the nozzle needs to be installed on the base. First, install the rubber ring to the correct position, then press down and rotate the nozzle for 90 degrees aligning the nozzle in a horizontal direction, the installation is complete.

**Storage**

**Power cord storage**

- 1) Bind the power cord by cable ties and stored on the power cord hook (refer to F15).
- 2) The power cord can also be wound around the handle tube (refer to F16).

**Machine storage**



**Note: Empty the recovery tank and solution tank prior to storing the machine to keep the tanks fresh, and in case of freezing temperatures. This machine should be stored indoors only.**

- 1) Store the machine in an upright position in a dry area and depress the pedal to keep the rolling brush off the floor (refer to F17).
- 2) Fold the handle to the rear of the machine in order to reduce the storage space (refer to F18).
- 3) Remove the recovery tank dome to allow for air circulation.

**Wiring diagram refer to F19**

**Technical specifications refer to F20**

**Machine material composition and recyclability refer to F21**

**Basic trouble shooting**

 **Notice; Disconnect the mains plug before performing any maintenance.**


If your problems are not mentioned in this table or your machine still doesn't work properly, please contact an authorized customer service person for help.

Trouble	Countermeasure
Machine doesn't work at all	Plug the power cord into a grounded outlet
	Try a replacement extension power cable
Vacuum motor doesn't work	Turn on the vacuum motor switch
	Reset the vacuum motor protection fuse (Circuit breaker) on control panel
Roller brush motor doesn't work	Turn on the roller brush motor switch
	Reset the roller brush motor protection fuse (Circuit breaker) on control panel
Insufficient vacuum performance	Check the sealing ring of the recovery tank, clean or replace it if necessary
	Drain the recovery tank
	Ensure vacuum hose is inserted probably
	Check the vacuum hose if any damage, replace it if necessary
No water spray from nozzle	Slow down cleaning operation
	Re-fill the solution tank
	Turn on the water pump switch
	Rinse the nozzle with hot water (max. 120°F/50°C)
Roller brush doesn't work	Clean or replace solution filter at the bottom of the machine
	Turn on roller brush motor switch
	Check the V-belt if any damage, replace it if necessary
	Check the assembly of roller brush
	Check the roller brush for carpet fibers, threads, or debris that are preventing the brush from turning properly.

**Disposal:**



Equipment marked with the crossed-out wheeled bin symbol indicates that used electrical and electronic equipment should not be discarded together with unseparated household waste. To avoid negative effects on human health and the environment the equipment must be collected separately at the designated collection points.

 Users of electrical and electronic household equipment must use the municipal collection schemes. Please note that commercially used electrical and electronic equipment, shall not be disposed of via municipal collection schemes. We will be pleased to inform you about suitable disposal options.

**Introduction:** Cet appareil fournit une solution de nettoyage efficace pour les sols recouverts de moquette. La machine est destinée à un usage commercial, pour les hôtels, les écoles, les hôpitaux, les usines, les magasins, les bureaux et les entreprises de location. Il est conçu pour une utilisation dans un environnement intérieur. Le but de ce manuel est de fournir à l'opérateur les informations nécessaires pour utiliser la machine correctement et en toute sécurité. Lisez-le attentivement avant d'effectuer toute opération ou entretien.

### **A** Consignes de sécurité importantes

La machine doit être mise à la terre pendant le fonctionnement. Pour réduire les risques d'incendie, d'électrocution ou de blessure, faites attention à ces avertissements importants. Le non-respect de ces consignes de sécurité peut endommager la machine, provoquer des dégâts matériels ou des blessures corporelles.

- 1) Utilisez cette machine uniquement comme décrit dans ce manuel. Ne l'utilisez pas d'une autre manière que celle qui est prévue. Utilisez uniquement les accessoires recommandés par le fabricant.
- 2) Ne laissez pas la machine sans surveillance quand elle est branchée. Éteignez tous les interrupteurs et débranchez le cordon électrique lorsqu'elle n'est pas utilisée et avant toute réparation.
- 3) L'appareil n'est pas destiné à être utilisé par des personnes (y compris les enfants) ayant des capacités physiques, sensorielles ou mentales réduites, ou ayant un manque d'expérience et de connaissances, à moins que ces personnes soient supervisées ou instruites, en ce qui concerne l'utilisation de l'appareil, par une personne responsable de leur sécurité.
- 4) Si la machine ne fonctionne pas correctement comme elle le devrait, si on l'a fait tomber, si elle est endommagée ou si on l'a laissée à l'extérieur, retournez-la à un centre de service avant de l'utiliser.
- 5) Évitez les chocs électriques : ne manipulez pas la fiche ou la machine avec les mains mouillées. Pour débrancher le cordon, saisissez la prise. Ne tirez pas sur le cordon.
- 6) N'utilisez pas de rallonges ou de prises qui ne conviennent pas à l'intensité du courant électrique. Ne pas l'utiliser avec un cordon défectueux ou une prise endommagée. Connectez la machine

uniquement à une prise correctement mise à la terre.

Évitez d'endommager le cordon (en fermant les portes sur le cordon, en tirant le cordon sur des arêtes ou des coins pointus, sur des surfaces chaudes ou en faisant fonctionner la machine sur le cordon).

7) Cette machine crée une aspiration et contient une brosse rotative. Maintenez les cheveux, les vêtements amples, les doigts et toutes autres parties du corps éloignées des ouvertures et des pièces mobiles. N'insérez aucun objet dans les ouvertures de la machine.

8) Ne ramassez avec la machine aucun objet qui brûle ou qui fume, par exemple des cigarettes, des allumettes ou des cendres chaudes.

9) N'utilisez pas la machine pour ramasser des liquides inflammables ou des combustibles tels que de l'essence.

10) Ne pas utiliser dans des zones où sont présentes des vapeurs et des poussières inflammables et / ou explosives afin d'éviter tout risque d'incendie ou d'explosion. Certains fluides de nettoyage peuvent produire de telles vapeurs. Cette machine ne convient pas pour ramasser de la poussière nuisible pour la santé.

11) Soyez particulièrement prudent lorsque vous nettoyez les escaliers avec les accessoires.

12) N'utilisez pas la machine à l'extérieur.

13) Rangez la machine dans un endroit ventilé et sec.

### **Déballage**

A la livraison de la machine, inspectez soigneusement le carton d'expédition et la machine pour vérifier s'il y a des dommages. En cas de dommages, informez le transporteur sur ces dommages et avant d'accepter la marchandise, mettez en application votre droit de réparation des dommages.

Le carton d'emballage comprend les éléments suivants:

Contenu (**voir F1**):

- Extracteur de tapis
- Sabot d'aspiration
- Brosse à rouleau
- Câble de rallonge de l'alimentation de 50 pieds (15 mètres environ)

### **Données d'identification de la machine**

Le numéro de série et le nom du modèle de la machine sont indiqués sur l'étiquette de série.



Cette information est utile. Utilisez le tableau suivant pour noter les données d'identification de la machine lorsque vous avez besoin de pièces de rechange pour la machine.

Modèle de la machine.....
Numéro de série de la machine .....

### Composants de la machine (voir page 2)

1. Interrupteur de mode de pulvérisation 2. Crochet de câble d'alimentation 3. Cordon d'alimentation 4. Tube de la poignée (inox) 5. Réservoir de la solution 6. Roue arrière 7. Base de la machine 8. Pédale "Kickstand" 9. Bouton de réglage de la hauteur de la hauteur du sabot 10. Bouton du patin d'aspiration 11. Entrée du tuyau d'aspiration 12. Dôme 13. Orifice de remplissage 14. Logo Viper 15. Sabot d'aspiration 16. Panneau de commande 17. Outil à main (facultatif) 18. Buse de pulvérisation de l'outil manuel 19. Connecteur rapide de l'outil manuel 20. Poignée de l'outil main 21. Tuyau d'aspiration de l'outil manuel 22. Serre-câble 23. Panneau de base 24. Bouton de réglage de la poignée 25. Collier de serrage 26. Raccord du flexible d'eau propre 27. Tube de visée 28. Tuyau d'aspiration 29. Tuyau de vidange du réservoir de récupération 30. Raccord rapide d'accessoire 31. Filtre eau propre 32. Axe 33. Support de la machine "Kickstand" 34. Base de la buse 35. Buse de pulvérisation 36. Plaque d'usure 37. Écrou "Kickstand" 38. Boulon d'assemblage de la machine 39. Brosse à rouleau 40. Support de la brosse à rouleau 41. Prise du dôme du bac de récupération 42. Bac de récupération 43. Couvercle du filtre à flotteur 44. Couvercle du flotteur 45. Filtre en mousse 46. Support du filtre à flotteur 47. Couvercle de la courroie trapézoïdale

### Installation du sabot d'aspiration et de la brosse à rouleau

#### Installation du sabot d'aspiration (voir F2):

- 1) Tout d'abord, placez la machine à la verticale sur le sol.
- 2) Soulevez le bouton sabot d'aspiration.
- 3) Insérez le sabot d'aspiration sur le tuyau d'aspiration et la base de montage dans la bonne position.
- 4) Relâchez le bouton du sabot d'aspiration.
- 5) Tirez le sabot d'aspiration, s'il ne bouge pas, l'installation est terminée.

#### Installation de la brosse de roulement (voir F3):

- 1) Placez la machine en position latérale.
- 2) Installez un côté de la brosse à rouleau avec la fente de positionnement sur le support de montage du roulement et appuyez de l'autre côté sur le support de la brosse à rouleau. Astuce: Tout d'abord, pressez un côté de la brosse et assurez-vous que l'extrémité avec une rainure a été installée en place, ensuite installez l'autre côté.

- 3) Si la brosse à rouleau tourne doucement, l'installation est terminée.

#### Direction de la poignée et sabot à vide / réglage de la hauteur de la brosse à rouleau Réglage de la direction de la poignée (voir F4)

- 1) L'appareil permet d'ajuster la hauteur de la poignée en fonction de la taille de l'utilisateur ou de l'habitude d'utilisation personnelle.
- 2) Tenir le bouton de réglage de la poignée et tournez-le dans le sens opposé pour desserrer la poignée.
- 3) Ajustez la poignée à la position appropriée et serrez le bouton.

#### Réglage du sabot d'aspiration / brosse à rouleau

Lorsque la machine est utilisée avec différentes épaisseurs de tapis ou si la brosse à rouleau présente une certaine usure, les utilisateurs peuvent augmenter les performances de nettoyage de la machine en ajustant la hauteur du sabot d'aspiration et celle de la brosse (voir F5).

- 1) Étiquette de vitesse de fonctionnement de la machine (0 → MAX indique la vitesse de la machine depuis lente jusqu'à rapide).
- 2) Étiquette de pression de la brosse à rouleau (- → + indique que la pression sur la brosse augmente).
- 3) Bouton de réglage du sabot d'aspiration. En tenant le bouton de réglage du sabot d'aspiration et faites-le tourner dans le même sens, déplacez le sabot d'aspiration vers le haut ou vers le bas jusqu'à obtenir la bonne position.

#### Panneau de contrôle (voir F6).

1. Interrupteur d'alimentation 2. Interrupteur de la pompe à eau 3. Interrupteur du moteur à vide 4. Fusible du moteur de la brosse à rouleau 5. Fusible pour moteur d'aspiration

#### Fonctionnement de la machine

##### Avant de la faire fonctionner

- 1) Vérifiez que le câble d'alimentation et le câble de la rallonge ne sont pas endommagés.

Remplacez le câble en cas de dommage.  
2) Passez l'aspirateur sur la zone à nettoyer pour enlever la plupart des débris solides avant d'utiliser la machine pour nettoyer.

### Fonctionnement



**Avertissement: Ne laissez pas le cordon toucher les brosses rotatives.**

- 1) À l'aide d'un tuyau ou d'un seau, remplissez le réservoir de solution avec de l'eau chaude. (max 120 ° F / 50 ° C, capacité 9 Gal./35L).
- 2) Ajoutez un détergent recommandé par le distributeur.
- 3) Connectez la rallonge d'alimentation fournie à la machine. Branchez le cordon à une prise murale reliée à la terre.
- 4) Mettez en marche l'interrupteur d'alimentation et l'interrupteur d'aspiration / pompe.
- 5) Pour commencer le nettoyage, appuyez sur l'interrupteur du mode de pulvérisation et commencez à tirer la machine vers l'arrière. (Remarque: l'appareil ne pulvérisera que lorsque l'interrupteur de la pompe est en marche et que l'interrupteur du mode de pulvérisation est enfoncé.)
- 6) Relâchez le bouton de pulvérisation à la fin du trajet et continuez à tirer la machine pour ramasser l'excès de solution.
- 7) Renversez la machine sur les roues de transport et poussez vers l'avant pour commencer le prochain trajet.



### Conseils de nettoyage:

- 1) Parcourez la surface à nettoyer en effectuant des déplacements qui se chevauchent.
- 2) Laissez tremper la solution détergente pendant 5 à 10 minutes sur des zones très sales et répétez le nettoyage plusieurs fois.
- 3) Travaillez loin de la prise de courant et du câble d'alimentation afin d'éviter d'endommager le câble d'alimentation.
- 4) Vérifiez continuellement l'accumulation de mousse dans le réservoir de récupération. Utilisez une solution de contrôle de mousse recommandée par le distributeur. **(Remarque: Une accumulation excessive de mousse ne provoque pas l'arrêt du flotteur et peut endommager le moteur d'aspiration.)**
- 5) Si la brosse s'arrête de tourner, la brosse pourrait être obstruée. Débranchez le câble d'alimentation, vérifiez la brosse et enlevez toute obstruction.
- 6) Lorsque le réservoir de récupération est

plein ou que le réservoir de solution est vide, vous devez vider le réservoir de récupération. (se référer à vidange du réservoir)

**Fonctionnement avec des outils accessoires (seules les pièces et accessoires recommandés / autorisés doivent être utilisés).**

On peut attacher un outil accessoire à main, en option, pour nettoyer la tapisserie d'ameublement et les escaliers.

Fonctionnement avec un outil à main **(voir F7):**

- 1) Débranchez le tuyau d'aspiration normal du dôme.
- 2) Insérez le tuyau accessoire d'aspiration dans le dôme au lieu du tuyau d'aspiration normal.
- 3) Connectez le connecteur accessoire rapide au coupleur rapide situé à l'arrière de la machine.
- 4) Mettez l'interrupteur d'alimentation et l'interrupteur du moteur d'aspiration / pompe à eau en marche.
- 5) Utilisez le levier de l'outil à main pour pulvériser une solution détergente.
- 6) Une fois le nettoyage terminé, fermez l'interrupteur de la pompe à eau / du moteur d'aspiration, puis appuyez sur la gâchette pendant 3 secondes pour faire diminuer la pression de l'eau dans le circuit d'eau..

### Mise hors tension

- 1) Eteignez la machine, débranchez et retirez le câble d'alimentation.
- 2) Vider le réservoir de récupération et le réservoir de solution. (se référer à Vidange des réservoirs)

### Vidange des réservoirs

**Vidange du réservoir de récupération (voir F8):**

- 1) Déplacez la machine vers un endroit approprié pour la vidange. (Veuillez tenir compte de l'environnement)
- 2) Prenez le tuyau de vidange du réservoir de récupération et dirigez-le vers l'endroit de vidange. Ouvrez le couvercle du tuyau de vidange pour vidanger le réservoir de récupération.
- 3) Remettez en place le tuyau de vidange de la machine.

**Vidange du réservoir de solution (voir F9):**

- 1) Déplacez la machine vers un endroit approprié pour la vidange. (Veuillez tenir compte de l'environnement)
- 2) Débranchez le raccord du tuyau et abaissez le tuyau pour vidanger le réservoir

de solution.

3) Remettez en place, sur la machine, le raccord du tuyau.

### Entretien de la machine



**Avertissement: Pour éviter tout risque d'électrocution, assurez-vous toujours que la machine est débranchée avant toute opération d'entretien ou de réparation.**

Pour que la machine continue de bien fonctionner pendant longtemps et pour prolonger sa durée de vie, veuillez suivre les procédures de maintenance suivantes.

### Maintenance quotidienne

- 1) Vidangez et rincez le réservoir de récupération et le réservoir de solution.
- 2) Vérifiez les raccords rapides et les buses. Nettoyez-les si nécessaire (Remarque: ne jamais utiliser un objet pointu pour nettoyer les buses, les rincer uniquement avec de l'eau chaude) **(voir F10)**.
- 3) Retirez le filtre à flotteur du réservoir de récupération et nettoyez-le avec de l'eau **(voir F11)**.
- 4) Vérifiez le filtre du port de remplissage et nettoyez-le avec de l'eau **(voir F12)**.
- 5) Vérifiez le filtre de la pompe à eau sous la machine et nettoyez-le avec de l'eau **(voir F13)**.
- 6) Vérifiez la brosse à rouleau et enlevez les débris ou les fibres de tapis.



**Avertissement: Eteignez l'interrupteur d'alimentation et débranchez la prise secteur avant de vérifier la brosse à rouleau.**

- 7) Vérifiez le sabot d'aspiration et enlevez les débris ou les fibres du tapis qui peuvent s'y trouver.
- 8) Après utilisation, nettoyez la machine avec un chiffon doux.
- 9) Vérifiez que le câble d'alimentation, la rallonge et les flexibles ne sont pas endommagés avant chaque utilisation de la machine.

### Entretien mensuel

- 1) Vérifiez la brosse à rouleau si elle ne présente pas d'usure. Remplacez-la si nécessaire.
- 2) Vérifiez les tuyaux et les joints pour voir s'il y a des dommages. Remplacez-les si nécessaire.
- 3) Vérifiez la machine pour voir s'il y a des fuites d'eau.
- 4) Lubrifiez les roues.

5) Vérifiez que les écrous, les vis et les boulons ne sont pas desserrés et qu'il n'en manque pas. Remplacez-les si nécessaire.

6) Vérifiez que la courroie trapézoïdale n'est pas usée. Remplacez-la si nécessaire.

### Installation de la buse (voir F14).

1. Base de buse
  2. Bague d'étanchéité en caoutchouc
  3. Extrémité de la buse de pulvérisation
- Après le nettoyage de la buse, l'extrémité de la buse doit être installée sur la base. Tout d'abord, installez l'anneau en caoutchouc dans la bonne position, puis appuyez et faites pivoter la buse sur 90 degrés en alignant la buse dans une direction horizontale, l'installation est alors terminée.

### Rangement

#### Rangement du cordon d'alimentation

- 1) Attachez le cordon d'alimentation à l'aide d'attaches et rangez-le à l'aide du crochet du cordon d'alimentation **(voir F15)**.
- 2) Le cordon d'alimentation peut également être enroulé tout autour du tube de la poignée **(voir F16)**.

#### Stockage de la machine



**Remarque: Videz le réservoir de récupération et le réservoir de solution avant de stocker la machine pour maintenir les réservoirs au frais et pour prévenir le risque de gel. Cette machine doit être stockée uniquement à l'intérieur.**

- 1) Stockez la machine dans une position verticale (debout), dans un endroit sec et enfoncez la pédale pour empêcher la brosse à rouleau de toucher le sol **(voir F17)**.
- 2) Repliez la poignée vers l'arrière de la machine afin de réduire l'espace de stockage **(voir F18)**.
- 3) Retirez le dôme du réservoir de récupération pour permettre la circulation de l'air
  - 1) Une utilisation incorrecte ou inadéquate de la machine.
  - 2) Les pièces endommagées par une mauvaise utilisation ou une négligence.
  - 3) La structure de la machine endommagée en raison d'une mauvaise utilisation ou d'une négligence.

**Schéma de câblage, se référer à F19**

**Les spécifications techniques, se référer à F20**

**La composition et la recyclabilité de la machine, se référer à F21**

## Dépannage de base



**Remarque: Débranchez la fiche secteur avant d'effectuer toute opération d'entretien.**

Si vos problèmes ne sont pas mentionnés dans ce tableau ou si votre appareil ne fonctionne toujours pas correctement, veuillez contacter une personne agréée par le service à la clientèle.

Problème	Solution
La machine ne fonctionne pas du tout	Branchez le cordon d'alimentation à une prise reliée à la terre Essayez avec une autre rallonge d'alimentation
Le moteur à vide ne fonctionne pas	Activez l'interrupteur du moteur d'aspiration Réinitialisez le fusible de protection du moteur d'aspiration (disjoncteur) sur le panneau de commande
Le moteur de la brosse à rouleau ne fonctionne pas	Activez l'interrupteur du moteur de la brosse à rouleau Réinitialisez le fusible de protection du moteur de la brosse à rouleau (disjoncteur) sur le panneau de commande
Performances sous vide insuffisantes	Vérifiez la bague d'étanchéité du réservoir de récupération, nettoyez-la ou remplacez-la si nécessaire
	Vider le réservoir de récupération
	Assurez-vous que le tuyau d'aspiration est inséré correctement
	Vérifiez si le tuyau d'aspiration n'est pas endommagé, remplacez-le si nécessaire
Pas de pulvérisation d'eau de la buse	Allez-y doucement avec le nettoyage
	Remplissez à nouveau le réservoir de solution
	Activez l'interrupteur de la pompe à eau
	Rincez la buse avec de l'eau chaude (max 120 ° F / 50 ° C)
La brosse à rouleau ne fonctionne pas	Nettoyez ou remplacez le filtre de solution au bas de la machine
	Activez l'interrupteur du moteur de la brosse à rouleau
	Vérifiez la courroie trapézoïdale si elle n'est pas endommagée, remplacez-la si nécessaire
	Vérifiez l'assemblage de la brosse à rouleau
	Vérifiez si des fibres de tapis, des fils ou des débris empêchent la brosse à rouleau de tourner correctement.

## Élimination:



Un équipement marqué d'un symbole de poubelle avec roues barrée d'une croix indique que cet équipement électrique et électronique usagé ne doit pas être jeté avec les ordures ménagères non séparées. Pour éviter des effets négatifs sur la santé humaine et l'environnement, l'équipement doit être déposé séparément aux points de collecte désignés.

Les utilisateurs d'équipements ménagers électriques et électroniques doivent utiliser les systèmes de collecte municipaux. Veuillez noter que les équipements électriques et électroniques utilisés dans le commerce ne doivent pas être

éliminés via des systèmes de collecte d'ordures municipaux. Nous serons heureux de vous donner des informations concernant des options d'élimination appropriées.

**Introducción:** Esta máquina proporciona una solución de limpieza inteligente y eficiente para suelos con moqueta. La máquina está diseñada para uso profesional, en hoteles, escuelas, hospitales, fábricas, tiendas, oficinas y negocios de alquiler. Está fabricada para su utilización en interiores. El propósito de este manual es proporcionar al usuario la información necesaria para usar la máquina de manera adecuada y segura. Léalo cuidadosamente antes de realizar cualquier operación y mantenimiento.

**A Instrucciones Importantes de Seguridad**

La máquina debe estar conectada a tierra durante su funcionamiento. Para reducir el riesgo de incendio, descarga eléctrica o lesiones, preste atención a estas importantes advertencias. El incumplimiento de estas instrucciones de seguridad puede ocasionar daños a la máquina, daños a la propiedad o lesiones corporales.

- 1) Use esta máquina solo como se describe en este manual. No la use de forma no intencionada. Use sólo los accesorios recomendados por el fabricante.
- 2) No deje la máquina desatendida cuando esté enchufada. Apague todos los interruptores y desenchufe el cable eléctrico cuando no esté en uso y antes realizar reparaciones.
- 3) Esta máquina no debe ser utilizada por personas (incluidos niños) con capacidades físicas, sensoriales o mentales reducidas, o sin experiencia y conocimiento, a menos que una persona responsable de su seguridad les supervise e instruya en el uso del aparato.
- 4) Si la máquina no funciona adecuadamente, se ha caído, dañado o se ha dejado en el exterior, llévela a un centro de servicio antes de usarla.
- 5) Evite descargas eléctricas, no manipule el enchufe ni la máquina con las manos mojadas. Para desconectar el cable, sujete el enchufe. No tire del cable.
- 6) No use cables de extensión o enchufes con una capacidad inadecuada de carga de corriente. No lo use con un cable o enchufe dañado. Conecte la máquina solo a una toma de corriente con conexión a tierra. Evite dañar el cable (cerrando puertas sobre

el cable, tirando de bordes afilados o esquinas, superficies calientes o pasando la máquina por el cable).

- 7) Esta máquina crea succión y contiene un cepillo giratorio. Mantenga el cabello, la ropa holgada, los dedos y todas las demás partes del cuerpo alejadas de las aberturas y las piezas móviles. No inserte ningún objeto en ninguna de las aberturas de la máquina.
- 8) No recoja nada que esté ardiendo o humeando, como cigarrillos, fósforos o cenizas calientes.
- 9) No use la máquina para recoger líquidos inflamables o combustibles, como gasolina.
- 10) No lo use en áreas donde haya vapor o polvo inflamable y / o explosivo para evitar la posibilidad de incendio o explosión. Algunos líquidos de limpieza pueden producir dichos vapores. Esta máquina no es adecuada para recoger polvo que ponga en peligro la salud.
- 11) Tenga especial cuidado cuando limpie escaleras.
- 12) No use esta máquina en exteriores.
- 13) Almacene la máquina en una zona seca y ventilada.

**Desembalaje**

Cuando reciba la máquina, inspeccione cuidadosamente la caja de envío y la máquina para detectar daños. En caso de daño, informe al transportista del daño y antes de aceptar la mercancía, resérvese el derecho de compensación por daños. La caja de embalaje incluye los siguientes artículos:

**Contenidos (consultar F1):**

- Máquina de inyección-extracción
- Boquilla de aspiración
- Cepillo giratorio
- Cable de extensión de alimentación de 50 inches

**datos de identificación de la máquina**

El número de serie de la máquina y el nombre del modelo están marcados en la etiqueta de serie. Esta información es útil. Utilice la siguiente tabla para anotar los datos de identificación de la máquina cuando requiera piezas de repuesto.

Modelo de máquina .....
Número de serie de la máquina.....

**Componentes de la máquina (consultar**



página 2)

1. Interruptor de modo de pulverización 2. Gancho del cable de alimentación 3. Cable de alimentación 4. Tubo del mango (inoxidable) 5. Tanque de solución 6. Rueda trasera 7. Base de la máquina 8. Pedal de Soporte 9. Regulador de ajuste de la altura de la base 10. Regulador de la boquilla de aspiración 11. Entrada de la manguera de aspiración 12. Tapa superior 13. Abertura de llenado 14. Logo de Viper 15. Boquilla de aspiración 16. Panel de control 17. Boquilla de aspiración (opcional) 18. Boquilla de pulverización del accesorio manual 19. Conector rápido del accesorio manual 20. Mango de válvula del accesorio manual 21. Manguera de aspiración del accesorio manual 22. Abrazadera del cable 23. Panel base 24. Regulador de ajuste del mango 25. Abrazadera de la manguera 26. Acoplamiento del tubo de mira 27. Tubo de visión 28. Manguera de vaciado 29. Manguera de drenaje del tanque de recogida 30. Acoplador rápido de accesorios 31. Filtro de solución 32. Eje 33. Soporte de pie de la máquina 34. Base de boquilla 35. Boquilla de pulverización 36. Placa protectora 37. Tuerca de soporte 38. Tornillo de ensamblaje de la máquina 39. Cepillo giratorio 40. Soporte de cepillo giratorio 41. Depósito de tanque de recogida 42. Depósito de recogida 43. Cubierta del filtro 44. Cubierta del flotador 45. Filtro de espuma 46. Soporte del filtro 47. Cubierta de correa en V

### **Instalación de la boquilla de aspiración y cepillo giratorio**

#### **Instalación de boquilla de aspiración (consultar F2):**

- 1) Primero, coloque la máquina en posición vertical sobre el suelo.
- 2) Eleve el regulador de la boquilla de aspiración.
- 3) Inserte la zapata de vacío para la manguera de aspiración y la base de montaje en la posición correcta.
- 4) Suelte regulador de la boquilla de aspiración.
- 5) Tire hacia atrás la zapata de vacío, si no se mueve, la instalación ha sido completada.

#### **Instalación del cepillo giratorio (consultar F3):**

- 1) Colocar la máquina de lado.
- 2) Instale un lado del cepillo giratorio con la ranura de ubicación en la cremallera de montaje del cojinete y presione en el otro lado hacia el soporte del cepillo giratorio. Consejo: Primero, apriete un lado del cepillo y asegúrese de que el extremo con una ranura se haya instalado en su lugar y luego instale el otro lado.
- 3) Si el cepillo giratorio gira sin problemas, la instalación está completa.

#### **Dirección del mango y boquilla de aspiración / ajuste de altura de cepillo rotatorio Ajuste de mango de dirección (consultar F4)**

- 1) El aparato puede ajustar la altura del mango según la estatura del usuario o la costumbre personal de operación personal.
- 2) Sujete el regulador de ajuste del mango y girando en la dirección opuesta para aflojar el mango.
- 3) Ajuste el mango a la posición apropiada y apriete el regulador.

#### **Boquilla de aspiración/ ajuste de cepillo rotatorio**

Cuando la máquina trabaja en diferentes altura del pelo de la moqueta o el cepillo giratorio tiene cierto desgaste, los operarios pueden aumentar el rendimiento de limpieza de la máquina ajustando la altura de la boquilla de aspiración el cepillo giratorio **(consulte F5).**

- 1) Etiqueta de velocidad de funcionamiento de la máquina(0 → MAX indica la velocidad de la máquina de lento a rápido).
- 2) Etiqueta de presión del cepillo giratorio (- → + indica que la presión del cepillo aumenta).
- 3) Regulador de ajuste de a boquilla de aspiración.

Sujetando el regulador de ajuste de la boquilla de aspiración girándola en la misma dirección, mueva la boquilla de aspiración hacia arriba o hacia abajo hasta la posición adecuada.

#### **Panel de control (consulte F6).**

1. Interruptor de encendido 2. Interruptor de bomba de agua 3. Interruptor de motor de vacío 4. Fusible para motor de cepillo giratorio 5. Fusible para motor de vacío

#### **Funcionamiento de la máquina**

#### **Antes de operar**

1) Inspeccione el cable de alimentación y el cable de extensión para detectar daños. Reemplace el cable si está dañado.

2) Aspire la zona a limpiar para eliminar la mayor parte de los residuos sólidos antes de usar la máquina para limpiar.

**Funcionamiento**

**⚠ Advertencia: no permita que el cable entre en contacto con las escobillas giratorias.**

1) Usando una manguera o cubo, llene el tanque de solución con agua caliente. (máximo 120 ° F / 50 ° C, capacidad 9 Gal./35 L).

2) Agregue el detergente recomendado por el distribuidor.

3) Conecte el cable extensor de alimentación suministrado a la máquina. Enchufe el cable en una toma de corriente con conexión a tierra.

4) Encienda el interruptor de encendido y el interruptor de vacío / bomba.

5) Para comenzar a limpiar, pulse el interruptor del modo de pulverización y comience a tirar de la máquina hacia atrás. (Nota: el aparato solo pulverizará cuando el interruptor de la bomba esté ENCENDIDO y el interruptor del modo de pulverización esté pulsado).

6) Suelte el botón de pulverización al final del recorrido y continúe tirando de la máquina hacia atrás para recoger el exceso de solución.

7) Incline la máquina hacia atrás sobre las ruedas de transporte y avance para comenzar la siguiente ruta.

**⚠ Consejos de limpieza:**

1) Recorra la superficie a limpiar en rutas superpuestas.

2) Deje que la solución de detergente se remoje de 5 a 10 minutos en zonas muy sucias y repita la limpieza varias veces.

3) Trabaje lejos de la toma de corriente y del cable de alimentación para evitar dañar el cable de alimentación.

4) Compruebe continuamente la acumulación de espuma en el tanque de recogida. Use una solución de control de espuma recomendada por el distribuidor.

**(Nota: una acumulación excesiva de espuma**

**no activará la desconexión del flotador y puede dañar el motor de aspiración).**

5) Si el cepillo deja de girar, puede que haya una obstrucción en el cepillo. Desenchufe el cable de alimentación, revise el cepillo y elimine la obstrucción.

6) Cuando el tanque de recogida está lleno, o el tanque de solución está vacío, debe vaciar el tanque de recogida. (Consulte el vaciado del depósito).

**Operación con herramientas accesorias (sólo se deben usar piezas y accesorios recomendados / autorizados).**

Se puede instalar un accesorio manual opcional para limpiar tapizado y escaleras.

**Operación con accesorio manual (consulte F7):**

1) Desconecte la manguera de aspirado del depósito.

2) Inserte la manguera de aspirado de del accesorio manual en el depósito en lugar de la manguera de vacío normal.

3) Conecte el accesorio de conexión rápida al acoplador rápido ubicado en la parte trasera de la máquina.

4) Encienda el interruptor de alimentación y el interruptor de la bomba de motor / agua de aspiración.

5) Use la palanca en la herramienta de mano para pulverizar sobre la solución de detergente.

6) Cuando se complete la limpieza, apague el interruptor de la bomba de agua / motor de aspiración y luego apriete el gatillo durante 3 segundos para aliviar la presión del agua de las líneas de solución.

**Apagado**

1) Apague la máquina, desenchufe y retire el cable de alimentación.

2) Vacíe el tanque de recogida y el tanque de solución. (Consulte el vaciado de depósitos)

**Vaciado de los depósitos**

**Vaciado del depósito de recogida de recogida (consultar F8):**

1) Mueva la máquina a una ubicación adecuada para el vaciado. (Por favor, tenga en cuenta el medio ambiente)

2) Sostenga la manguera de vaciado para el tanque de recogida y bájela para vaciar. Abra la tapa de la manguera de vaciado para vaciar



el tanque de recogida.

3) Recoloque la manguera de nuevo en la máquina.


**Vaciado de tanque de solución (consultar F9):**

1) Mueva la máquina a una ubicación adecuada para el vaciado. (Por favor, tenga en cuenta el medio ambiente).

2) Desconecte el acople de la manguera y baje la manguera para vaciar el tanque de solución.

3) Conecte el acople de la manguera de nuevo en la máquina.

**Mantenimiento de la máquina**

 **Advertencia: para evitar el riesgo de descarga eléctrica, siempre confirme que la máquina esté desenchufada antes de realizar cualquier mantenimiento o reparación.**

Para mantener la máquina funcionando correctamente y prolongar su vida útil, realice los siguientes procedimientos de mantenimiento.

**Mantenimiento diario**

1) Vacíe y enjuague el tanque de recogida y el tanque de solución..


2) Compruebe los acoples rápidos y las boquillas. Limpiar si es necesario (Nota: Nunca use objetos punzantes para limpiar las boquillas, sólo enjuáguelas con agua) **(consultar F10).**

3) Retirar el filtro flotante del tanque de recogida y límpielo con agua **(consultar F11).**

4) Compruebe el filtro del puerto y límpielo con agua **(consultar F12).**

5) Comprobar el filtro de la bomba debajo de la máquina y límpielo con agua **(consultar F13).**

6) Comprobar cepillo giratorio y eliminar cualquier residuo o fibras de alfombras.

 **Advertencia: apague el interruptor de alimentación y desconecte el enchufe antes de revisar el cepillo giratorio.**

7) Comprobar la boquilla de aspiración eliminar cualquier residuo o fibras de moqueta.

8) Limpiar la máquina con un paño suave tras el uso.

9) Antes de cada uso, compruebe si hay daños en el cable de alimentación.

**Mantenimiento mensual**

1) Revise el desgaste del cepillo giratorio. Reemplazar si es necesario.

2) Compruebe si hay daños en las mangueras y el sellado. Cambiar si es necesario.

3) Comprobar si hay fugas de agua en la máquina.

4) Lubrique las ruedas.

5) Compruebe si la máquina tiene tuercas, tornillos o pernos sueltos o faltantes y cámbielos si es necesario.

6) Compruebe si hay daños y desgaste en la correa en V. Cambiar si es necesario.

**Instalación de la boquilla (consultar F14).**

1. Base de boquilla 2. anillo de goma de sellado 3. Boquilla de punta de pulverización. Después de limpiar la boquilla, ésta debe instalarse en la base. Primero, instale el anillo de goma en la posición correcta, luego presione hacia abajo y gire la boquilla 90 grados alineando la boquilla en una dirección horizontal, la instalación habrá finalizado..


**Almacenamiento**

**Almacenamiento de cable de alimentación**

1) Ate el cable de alimentación con sujetacables y guárdelo en el gancho del cable de alimentación. **(consultar F15).**

2) El cable de alimentación también se puede enrollar alrededor del tubo del mango **(consultar F16)**

**Almacenamiento de la máquina**

 **Nota: Vacíe el tanque de recogida y el tanque de solución antes de guardar la máquina para mantener los tanques ventilados y en caso de temperaturas bajo cero. Esta máquina debe almacenarse sólo en interiores.**

1) Guarde la máquina en una posición vertical en una área seca y presione el pedal para mantener el cepillo giratorio alejado del suelo **(consulte F17).**

2) Pliegue el mango a la parte posterior de la máquina para reducir el espacio de almacenamiento **(consulte F18).**

3) Retire la cúpula del tanque para permitir la circulación de aire.

**Diagrama de cableado (consultar F19)**

**Especificaciones técnicas (consultar F20)**

**Composición y reciclado del material de la**



**máquina: consultar F21.**  
**Resolución de problemas básicos**

**⚠️ Aviso; Desconectar de la corriente antes de realizar trabajos de mantenimiento.**

Si sus problemas no se mencionan en esta tabla o si su máquina aún no funciona correctamente, por favor póngase en contacto con un servicio técnico autorizado para obtener ayuda.

Problema	Medida de corrección
La máquina no funciona en absoluto	Enchufe el cable a un enchufe con toma de tierra
	Pruebe un cable extensor de suministro de repuestos
El motor de aspiración no funciona	Encienda el interruptor del motor de aspiración
	Restablezca el fusible de protección del motor de aspiración (interruptor) en el panel de control
El motor del cepillo giratorio no funciona	Encienda el interruptor del motor del cepillo giratorio
	Restablezca el fusible de protección del motor del cepillo giratorio (interruptor) en el panel de control.
Rendimiento insuficiente de la aspiradora	Compruebe el anillo de sellado del tanque de recogida, límpielo o cámbielo si es necesario
	Vacíe el tanque de recogida
	Asegúrese de que la manguera de vacío esté bien insertada
	Compruebe si hay daños en la manguera de aspiración, cámbiela si es necesario
	Reduzca la velocidad de la operación de limpieza
La boquilla no pulveriza agua	Rellene el tanque de recogida
	Encienda el interruptor de la bomba de agua
	Enjuague la boquilla con agua caliente (max. 120°F/50°C)
	Limpie o cambie el filtro de solución en la parte inferior de la máquina
El cepillo giratorio no funciona	Encienda el interruptor del motor del cepillo giratorio
	Compruebe si hay daños en la correa en V, cámbiela si es necesario
	Comprobar el ensamblaje del cepillo giratorio
	Compruebe si el cepillo del rodillo tiene fibras de alfombras, hilos o residuos que impiden que gire correctamente.

**Eliminación:**



El equipo marcado con el símbolo del contenedor con ruedas tachado indica que los equipos eléctricos y electrónicos usados no deben desecharse junto con la basura doméstica no separada. Para evitar efectos negativos en la salud humana y el medio ambiente, el equipo debe recolectarse por separado en los puntos de recolección designados.

Los usuarios de equipos domésticos eléctricos y electrónicos deben usar los esquemas de recolección municipales. Tenga en cuenta que los equipos eléctricos y electrónicos usados comercialmente no deben desecharse a través de los esquemas de recolección municipales. Estamos dispuestos a informarle acerca de las opciones de eliminación adecuadas.

**Einführung:** Dieses Gerät bietet eine intelligente und effiziente Reinigungslösung für Teppichböden. Die Maschine ist für den gewerblichen Einsatz in Hotels, Schulen, Krankenhäusern, Fabriken, Geschäften, Büros und Verleihbetrieben bestimmt. Es ist für den Einsatz in Innenräumen konzipiert. Dieses Handbuch dient dazu, dem Bediener die notwendigen Informationen zur Verfügung zu stellen, um die Maschine ordnungsgemäß und sicher zu bedienen. Lesen Sie es sorgfältig durch, bevor Sie irgendeine Operation und Wartung durchführen.



### Wichtige Sicherheitshinweise

Die Maschine muss während des Betriebs geerdet werden. Um die Gefahr von Feuer, Stromschlag oder Verletzungen zu verringern, beachten Sie diese wichtigen Sicherheitshinweise. Die Nichtbeachtung dieser Sicherheitshinweise kann zu Schäden an der Maschine, Sachschäden oder Verletzungen führen.

- 1) Verwenden Sie dieses System nur wie in diesem Handbuch beschrieben. Verwenden Sie es nicht in einer Weise, die nicht beabsichtigt war. Verwenden Sie nur das vom Hersteller empfohlene Zubehör.
- 2) Lassen Sie das Gerät nicht unbeaufsichtigt, wenn es angeschlossen ist. Schalten Sie alle Schalter aus und ziehen Sie den Netzstecker, wenn Sie das Gerät nicht benutzen und bevor Sie es warten.
- 3) Das Gerät ist nicht für den Gebrauch durch Personen (einschließlich Kinder) mit eingeschränkter körperlicher, sensorischer oder geistiger Leistungsfähigkeit oder mangelnder Erfahrung und Kenntnis bestimmt, es sei denn, sie wurden von einer für ihre Sicherheit verantwortlichen Person beaufsichtigt oder von ihr im Gebrauch des Geräts unterwiesen.
- 4) Wenn das Gerät nicht wie gewünscht funktioniert, fallen gelassen, beschädigt oder im Freien gelassen wurde, geben Sie es vor der Benutzung an eine Servicestelle zurück.
- 5) Vermeiden Sie einen Stromschlag, fassen Sie den Stecker oder die Maschine nicht mit nassen Händen an. Um das Kabel zu entfernen, ziehen Sie den Stecker. Nicht am Kabel ziehen.
- 6) Verwenden Sie keine Verlängerungskabel oder Steckdosen mit unzureichender Strombelastbarkeit. Nicht mit beschädigtem Kabel oder Stecker verwenden. Schließen Sie

das Gerät nur an eine ordnungsgemäß geerdete Steckdose an.

Vermeiden Sie es, das Kabel zu beschädigen (Türen auf dem Kabel schließen, um scharfe Kanten oder Ecken ziehen, heiße Oberflächen berühren oder die Maschine über das Kabel fahren).

7) Diese Maschine erzeugt einen Sog und enthält eine Rollenbürste. Halten Sie Haare, lose Kleidung, Finger und alle anderen Körperteile von Öffnungen und beweglichen Teilen fern. Führen Sie keine Gegenstände in die Öffnungen des Geräts ein.

8) Nehmen Sie nichts auf, was brennt oder raucht, wie Zigaretten, Streichhölzer oder heiße Asche.

9) Verwenden Sie das Gerät nicht, um brennbare oder entflammable Flüssigkeiten wie Benzin aufzunehmen.

10) Nicht in Bereichen verwenden, in denen brennbare und/oder explosive Dämpfe oder Stäube vorhanden sind, um die Möglichkeit eines Brandes oder einer Explosion zu vermeiden. Einige Reinigungsflüssigkeiten können solche Dämpfe erzeugen. Diese Maschine ist nicht zur Aufnahme von gesundheitsgefährdendem Staub geeignet.

11) Seien Sie beim Reinigen von Treppen besonders vorsichtig.

12) Verwenden Sie das Gerät nicht im Freien.

13) Lagern Sie die Maschine im belüfteten, trockenen Bereich.

### Auspacken

Überprüfen Sie bei der Auslieferung der Maschine sorgfältig den Versandkarton und die Maschine auf Beschädigungen. Im Falle eines Schadens, machen Sie den Spediteur auf den Schaden aufmerksam und behalten Sie sich das Recht auf Schadenersatz vor, bevor Sie die Ware annehmen. Der Verpackungskarton enthält die folgenden Artikel:

### Inhalt (siehe F1):

- Teppichreiniger
- Saugfuß
- Walzenbürste
- 15mtr Netzkabel

### Daten zur Maschinenidentifikation

Die Seriennummer des Geräts und die Modellbezeichnung sind auf dem Typenschild vermerkt.

Diese Informationen sind nützlich.

Verwenden Sie die folgende Tabelle, um die Maschinenidentifikationsdaten aufzuschreiben, falls Sie Ersatzteile für die Maschine benötigen.

Maschinenmodell .....
Maschine Seriennummer.....

**Maschinenbauteile** (siehe Seite 2)

1. Sprühmodusschalter 2. Netzkabelhaken 3. Netzkabel 4. Schubdügel (rostfrei) 5. Reinigungslösungstank 6. Hinterrad 7. Maschinenfuß 8. "Ständer" Pedal 9. Boden-Höheneinstellknopf 10. Saugfußknopf 11. Saugschlauch-Eingang 12. Abdeckung 13. Einfüllöffnung 14. Viper-Logo 15. Saugfuß 16. Bedienfeld 17. Handgeräte (optional) 18. Handsprühdüse 19. Handwerkgerät Schnellanschluss 20. Handgerät Ventilgriff 21. Handgerät Saugschlauch 22. Kabelschelle 23. Bodenblech 24. Schubdügelneigung Einstellknopf 25. Schlauchschelle 26. Sichtrohrkupplung 27. Sichtrohr 28. Saugschlauch 29. Schmutzwasser tank - Ablaufschlauch 30. Zubehör Schnellkupplung 31. Lösungsfilter 32. Welle 33. "Ständer" Maschinenständer 34. Sprühdüsenboden - Unterteil 35. Sprühdüse 36. Verschleißplatte 37. "Ständer" Mutter 38. Maschine Montageschraube 39. Walzenbürste 40. Walzenbürstenhalter 41. Schmutzwassertank-Abdeckungsverschluss 42. Schmutzwasser 43. Schwimmerfilterdeckel 44. Schwimmerdeckel 45. Schaumstofffilter 46. Schwimmerfilterhalter 47. Keilriemenabdeckung

**Saugfuß- und Walzenbürsten-Installation****Saugfußinstallation (siehe F2):**

- 1) Stellen Sie die Maschine zunächst aufrecht auf den Boden.
- 2) Heben Sie den Saugfußknopf an.
- 3) Stecken Sie den Saugfuß in den Saugschlauch und die Montageplatte in die richtige Position.
- 4) Den Saugfußknopf loslassen.
- 5) Ziehen Sie den Saugfuß zurück, wenn er sich nicht bewegt, dann ist der Einbau abgeschlossen.

**Walzenbürsteninstallation (siehe F3):**

- 1) Stellen Sie die Maschine in die Seitenlage.
- 2) Eine Seite der Walzenbürste mit dem Fixierschlitz in die Lagerhalterung einsetzen und die andere Seite in den Walzenbürstenhalter eindrücken.  
Tipp: Zuerst eine Seite der Bürste zusammendrücken und sicherstellen, dass das Ende mit einer Nut installiert wurde und dann die andere Seite einbauen.
- 3) Wenn sich die Walzenbürste leichtgängig dreht, ist die Installation abgeschlossen.

**Schubdügelneigung und Saugfuß- /****Walzenbürstenhöhenverstellung  
Schubdügelneigungsverstellung (siehe F4)**

- 1) Das Gerät kann die Neigung des Schubdügels entsprechend der Körpergröße oder der persönlichen Arbeitsweise anpassen.
- 2) Halten Sie den Schubdügel-Einstellknopf und drehen Sie ihn in die entgegengesetzte Richtung, um den Griff zu lösen.
- 3) Stellen Sie den Griff in die entsprechende Position und ziehen Sie den Knopf fest.

**Saugfuß/Walzenbürstenverstellung**

Wenn die Maschine in verschiedenen Teppichhöhen arbeitet oder die Walzenbürste einen gewissen Verschleiß aufweist, kann der Bediener die Reinigungsleistung der Maschine erhöhen, indem er die Höhe des Saugfußes und der Walzenbürste einstellt (**siehe F5**).

- 1) Maschinendrehzahlkennzeichnung (0 → MAX gibt die Drehzahl von niedrig bis schnell an).
- 2) Walzenbürstenanpressdruckkennzeichnung (- → + zeigt an, dass der Druck auf die Bürste steigt).

**3) Saugfuß-Einstellknopf.**

Halten Sie den Saugfuß-Einstellknopf gedrückt und drehen Sie ihn in die gleiche Richtung, bewegen Sie den Saugfuß nach oben oder unten in die entsprechende Position.

**Bedienfeld (siehe F6).**

1. Netzschalter 2. Wasserpumpenschalter 3. Saug-Motorschalter 4. Sicherung für Walzenbürstenmotor 5. Sicherung für Saugmotor

**Maschinenbetrieb****Vor der Inbetriebnahme**

- 1) Netzkabel und Verlängerungskabel auf Beschädigungen überprüfen. Ersetzen Sie das Kabel, wenn Schäden festgestellt werden.
- 2) Saugen Sie den zu reinigenden Bereich ab, um den größten Teil des festen Schmutzes zu entfernen, bevor Sie die Maschine zum Reinigen verwenden.

**Betrieb**

**Warnung: Lassen Sie das Kabel nicht mit den rotierenden Bürsten in Berührung kommen.**

- 1) Füllen Sie den Reinigungslösungstank mit heißem Wasser mithilfe von einem Schlauch oder Eimer. (max. 120 °F/50 °C, Kapazität 9 Gal./35 l).
- 2) Fügen Sie das vom Händler empfohlene Reinigungsmittel hinzu.
- 3) Schließen Sie das mitgelieferte Verlängerungskabel an die Maschine an.

Schließen Sie das Kabel an eine geerdete Steckdose an.

4) Netzschalter und Saug-/Pumpenschalter einschalten.

5) Um mit der Reinigung zu beginnen, drücken Sie den Sprühmodusschalter und beginnen Sie, die Maschine nach hinten zu ziehen. (Hinweis: Das Gerät spritzt nur, wenn der Pumpenschalter eingeschaltet ist und der Sprühmodusschalter gedrückt wird.

6) Lassen Sie den Sprühknopf am Ende des Weges los und ziehen Sie die Maschine weiter zurück, um überschüssige Lösung aufzunehmen.

7) Maschine wieder auf die Transportrollen kippen und nach vorne schieben, um die nächsten Reinigungsbahn zu beginnen.



#### Reinigungstipps:

1) In überlappenden Bahnen über die zu reinigende Fläche führen.

2) Lassen Sie die Reinigungslösung 5 bis 10 Minuten auf stark verschmutzten Flächen einweichen und wiederholen Sie die Reinigung mehrmals.

3) Arbeiten Sie von der Steckdose und dem Netzkabel weg, um Schäden am Netzkabel zu vermeiden.

4) Ständig auf Schaumbildung im Schmutzwassertank prüfen. Verwenden Sie eine vom Händler empfohlene Schaumkontrolllösung. **(Hinweis: Übermäßige Schaumbildung aktiviert nicht die Schwimmerabschaltung und kann zu Schäden am Saugmotor führen.)**

5) Wenn sich die Bürste nicht mehr dreht, kann sich ein Hindernis in der Bürste befinden. Ziehen Sie das Netzkabel ab, überprüfen Sie die Bürste und entfernen Sie das Hindernis.

6) Wenn der Schmutzwassertank voll ist oder der Reinigungslösungstank leer ist, müssen Sie den Schmutzwassertank entleeren. (siehe Tanks entleeren)

**Betrieb mit Zubehörwerkzeugen (Es dürfen nur empfohlene/autorisierte Teile und Zubehör verwendet werden).**

Ein optionales Zubehör-Handgerät kann zur Reinigung von Polstern und Treppen angebracht werden. Bedienung mit Handgerät **(siehe F7):**

1) Trennen Sie den normalen Saugschlauch von der Abdeckung.

2) Führen Sie den Zubehör-Saugschlauch anstelle des normalen Vakuumschlauches in

die Abdeckung ein.

3) Verbinden Sie den Zubehör-Schnellanschluss mit dem Schnellwechsler auf der Rückseite der Maschine.

4) Netzschalter und Schalter für Saugmotor/Wasserpumpe einschalten.

5) Benutzen Sie den Hebel am Handgerät, um die Reinigungslösung aufzusprühen.

6) Wenn die Reinigung abgeschlossen ist, schalten Sie die

Wasserpumpe/Saug-/Motorschalter aus und drücken Sie dann den Auslöser 3 Sekunden lang, um den Wasserdruck aus den Lösungslösungen zu entlasten.

#### Abschalten

1) Maschine ausschalten, Netzstecker ziehen und Netzkabel entfernen.

2) Entleeren Sie den Schmutzwassertank und den Reinigungslösungstank. (siehe Tanks entleeren)

#### Tanks entleeren

##### Schmutzwassertank entleeren (siehe F8):

1) Die Maschine zum Entleeren an einen geeigneten Ort bringen. (Bitte beachten Sie die Umwelt)

2) Halten Sie den Ablassschlauch für den Schmutzwassertank fest und senken Sie ihn über den Ablauf. Öffnen Sie die Ablassschlauchabdeckung für die Entleerung des Rückgewinnungstanks.

3) Setzen Sie den Ablassschlauch wieder auf die Maschine auf.

##### Reinigungslösungstank entleeren (siehe F9):

1) Die Maschine zum Entleeren an einen geeigneten Ort bringen. (Bitte beachten Sie die Umwelt)

2) Lösen Sie die Schlauchkupplung und senken Sie den Schlauch für die Entleerung des Reinigungslösungstanks ab.

3) Schließen Sie die Schlauchkupplung wieder an die Maschine an.

#### Maschinenwartung



**Warnung: Um das Risiko eines Stromschlags zu vermeiden, vergewissern Sie sich bitte immer, dass das Gerät vom Stromnetz getrennt ist, bevor Sie Wartungs- oder Reparaturarbeiten durchführen.**

Um die Leistung der Maschine zu erhalten und ihre Lebensdauer zu verlängern, führen Sie bitte die folgenden Wartungsarbeiten durch.

#### Tägliche Wartung

1) Entleeren und spülen Sie den

Schmutzwassertank und den Lösungsmitteltank.

2) Schnellkupplungen und Düsen prüfen. Bei Bedarf reinigen (Hinweis: Düsen nie mit einem spitzen Gegenstand reinigen, sondern nur mit heißem Wasser abspülen) **(siehe F10)**.

3) Schwimmerfilter aus dem Rückgewinnungstank entfernen und mit Wasser reinigen **(siehe F11)**.

4) Einfüllstutzenfilter prüfen und mit Wasser reinigen **(siehe F12)**.

5) Wasserpumpenfilter unter der Maschine prüfen und mit Wasser reinigen **(siehe F13)**.

6) Kontrollieren Sie die Rollenbürste und entfernen Sie eventuelle Rückstände oder Teppichfasern.



**Warnung: Schalten Sie den Netzschalter aus und ziehen Sie den Netzstecker, bevor Sie die Walzenbürste überprüfen.**

7) Überprüfen Sie den Saugfuß und entfernen Sie eventuelle Rückstände oder Teppichfasern.

8) Maschine nach Gebrauch mit einem weichen Tuch reinigen.

9) Überprüfen Sie das Netzkabel, das Verlängerungskabel und die Schläuche vor jedem Gebrauch der Maschine auf Beschädigungen.

#### **Monatliche Wartung**

1) Überprüfen Sie die Walzenbürste auf Verschleiß. Bei Bedarf austauschen.

2) Überprüfen Sie Schläuche und Dichtungen auf Beschädigungen. Bei Bedarf austauschen.

3) Überprüfen Sie die Maschine auf Wasserleckagen.

4) Räder schmieren.

5) Maschine auf lose oder fehlende Muttern, Schrauben, Bolzen prüfen und ggf. austauschen.

6) Keilriemen auf Verschleiß prüfen. Bei Bedarf austauschen.

#### **Düseneinbau (siehe F14).**

1. Düsenunterteil 2. Gummidichtring

3. Sprühdüse

Nach der Reinigung der Düse muss die Düse auf dem Unterteil montiert werden. Zuerst den Gummiring in die richtige Position bringen, dann die Düse nach unten drücken und um 90 Grad drehen, um die Düse in horizontaler Richtung auszurichten, die Installation ist abgeschlossen.

#### **Lagerung**

##### **Netzkabelaufbewahrung**

1) Binden Sie das Netzkabel mit Kabelbindern an den Netzkabelhaken **(siehe F15)**.

2) Das Netzkabel kann auch um den Schubbügel gewickelt werden **(siehe F16)**.

##### **Maschinenlagerung**



**Hinweis: Entleeren Sie den Schmutzwassertank und den Reinigungslösungsmitteltank vor der Lagerung der Maschine, um die Tanks sauber zu halten, und im Falle von Frosttemperaturen. Dieses Gerät sollte nur in geschlossenen Räumen gelagert werden.**

1) Die Maschine in einer aufrechten Position an einem trockenen Ort aufbewahren und das Pedal drücken, um die Rollenbürste vom Boden fernzuhalten **(siehe F17)**.

2) Klappen Sie den Schubbügel nach hinten, um den Stauraum zu verringern **(siehe F18)**.

3) Entfernen Sie die Schmutzwassertankabdeckung, um eine Luftzirkulation zu ermöglichen.

##### **Garantie**

Dieses Produkt wurde entwickelt, um mit der richtigen Wartung einen störungsfreien Betrieb für eine Reihe von Jahren zu gewährleisten. Die Maschine wird mit einer 24-monatigen Herstellergarantie gegen Bauteildefekte geliefert. Für den unwahrscheinlichen Fall, dass Ihr Produkt einen Fehler aufweisen sollte, wenden Sie sich bitte an die Verkaufsstelle oder das nächstgelegene Kundendienstzentrum. Die Garantie deckt nicht ab:

1) Falsche oder unsachgemäße Bedienung der Maschine.

2) Teile, die durch unsachgemäßen Gebrauch oder Nachlässigkeit beschädigt wurden.

3) Beschädigung der Maschinenstruktur durch unsachgemäßen Gebrauch oder Nachlässigkeit.

**Anschlussplan siehe F19**

**Technische Daten siehe F20**

**Maschinenmaterialzusammensetzung und Recyclingfähigkeit siehe F21**

## Grundlegende Fehlerbehebung



**Hinweis: Ziehen Sie den Netzstecker, bevor Sie irgendeine Wartung durchführen.**

Wenn Ihre Probleme in dieser Tabelle nicht aufgeführt sind oder Ihr Gerät immer noch nicht richtig funktioniert, wenden Sie sich bitte an einen autorisierten Kundendienstmitarbeiter.

Störung	Gegenmaßnahme
Maschine funktioniert überhaupt nicht	Schließen Sie das Netzkabel an eine geerdete Steckdose an.
	Probieren Sie ein Ersatz-Netzkabel aus.
Saugmotor funktioniert nicht	Saug-Motorschalter einschalten
	Saug-Motorschutzsicherung (Schutzschalter) auf dem Bedienfeld zurücksetzen.
Walzenbürstenmotor funktioniert nicht	Walzenbürstenmotorschalter einschalten
	Setzen Sie die Motorschutzsicherung der Walzenbürste (Schutzschalter) am Bedienfeld zurück.
Unzureichende Saugleistung	Dichtring des Schmutzwassertanks prüfen, ggf. reinigen oder austauschen.
	Schmutzwassertank entleeren
	Vergewissern Sie sich, dass der Saugschlauch richtig eingesetzt ist.
	Saugschlauch auf Beschädigungen prüfen, ggf. auswechseln
Kein Wasserstrahl aus der Düse	Verlangsamen Sie den Reinigungsvorgang
	Nachfüllen des Reinigungslösungstanks
	Wasserpumpenschalter einschalten
	Spülen Sie die Düse mit heißem Wasser (max. 120 °F/50 °C).
Walzenbürste funktioniert nicht	ReinigungslösungsfILTER an der Unterseite der Maschine reinigen oder auswechseln.
	Walzenbürstenmotorschalter einschalten
	Keilriemen auf Beschädigungen prüfen, ggf. auswechseln
	Montage der Walzenbürste prüfen
	Überprüfen Sie die Walzenbürste auf Teppichfasern, Fäden oder Fremdkörper, die das korrekte Drehen der Bürste verhindern.

## Entsorgung:



Das Symbol der durchgestrichenen Mülltonne weist darauf hin, dass gebrauchte elektrische und elektronische Altgeräte, die mit dieser Kennzeichnung markiert sind, nicht zusammen mit dem unsortierten Hausmüll entsorgt werden dürfen. Um negative Auswirkungen auf die menschliche Gesundheit und die Umwelt zu vermeiden, müssen solche Geräte an den dafür vorgesehenen Sammelstellen getrennt abgegeben werden.

Benutzer von elektrischen und elektronischen Haushaltsgeräten müssen die kommunalen Sammelsysteme verwenden. Bitte beachten Sie, dass kommerziell genutzte elektrische und elektronische Altgeräte, nicht über die kommunalen Sammelsystemen entsorgt werden dürfen. Wir informieren Sie gerne über geeignete Entsorgungsmöglichkeiten.

**Inleiding:** Dit apparaat biedt een slimme en efficiënte reinigingsoplossing voor vloerbedekking. De machine is bedoeld voor commercieel gebruik, in hotels, scholen, ziekenhuizen, fabrieken, winkels, kantoren en verhuurbedrijven. De machine is ontwikkeld voor gebruik in een binnen omgeving. Het doel van deze handleiding is om de bediener, de nodige informatie te verstrekken om de machine op de juiste en veilige manier te gebruiken. Lees deze zorgvuldig door voordat u er mee werkt en onderhoud uitvoert.

### **Belangrijke veiligheidsinstructies**

De machine moet tijdens de werking worden geaard. Let op deze belangrijke waarschuwingen om het risico op brand, elektrische schokken of letsel te verminderen. Het niet naleven van deze veiligheidsinstructies kan leiden tot schade aan de machine, materiële schade of lichamelijk letsel.

- 1) Gebruik deze machine alleen zoals beschreven in deze handleiding. Gebruik ze niet op een manier die niet bedoeld was. Gebruik alleen de aanbevolen accessoires van de fabrikant.
- 2) Laat de machine niet onbeheerd achter wanneer het is aangesloten. Schakel alle schakelaars uit en haal het netsnoer uit het stopcontact wanneer u het niet gebruikt en voordat u onderhoud uitvoert.
- 3) de machine is niet bedoeld voor gebruik door personen (inclusief kinderen) met verminderde fysieke, sensorische of mentale capaciteiten, of een gebrek aan ervaring en kennis, tenzij ze onder toezicht staan of instructies hebben gekregen over het gebruik van de machine door een persoon die verantwoordelijk is voor hun veiligheid.
- 4) Als de machine niet naar behoren functioneert, viel, beschadigd werd of buiten is achtergebleven, moet u het vóór dat u het gebruikt terugsturen naar een servicecentrum.
- 5) Vermijd elektrische schokken, hanteer de stekker of de machine niet met natte handen. Trek de stekker uit het stopcontact om het snoer te ontkoppelen. Trek niet aan het snoer.
- 6) Gebruik geen verlengsnoeren of

stopcontacten met onvoldoende stroomcapaciteit. Gebruik de machine niet met een beschadigd snoer of stekker. Sluit de machine alleen aan op een goed geaard stopcontact.

Voorkom beschadiging van het snoer (sluiten van deuren over het snoer, trekken over scherpe randen of hoeken, hete oppervlakken of het rijden van de machine over het snoer).

- 7) Dit apparaat creëert aanzuiging en bevat een draaiende borstel. Houd haren, losse kleding, vingers en alle andere delen van het lichaam uit de buurt van openingen in bewegende delen. Steek geen voorwerpen in één van de openingen in de machine.
- 8) Pak niets op dat brand of rookt, zoals sigaretten, lucifers of hete as.
- 9) Gebruik de machine niet om ontvlambare of brandbare vloeistoffen zoals benzine op te ruimen.
- 10) Niet gebruiken in omgevingen waar ontvlambare en/of explosieve dampen of stof aanwezig zijn om de mogelijkheid van brand of ontploffing te voorkomen. Sommige reinigingsvloeistoffen kunnen dergelijke dampen produceren. Dit apparaat is niet geschikt voor het opnemen van stof die schadelijk is voor de gezondheid.
- 11) Wees extra voorzichtig bij het schoonmaken op trappen.
- 12) Gebruik de machine niet buiten.
- 13) Berg de machine op in een eventuele droge ruimte.

### **Uitpakken**

Wanneer de machine is geleverd, inspecteert u de doos en de machine zorgvuldig op beschadiging. Als er schade is, moet u de vervoerder op de hoogte stellen van de schade voordat u de goederen accepteert waardoor u zich het recht voorbehoudt de schade vergoed te krijgen.

De verpakking bevat de volgende items:

#### **Inhoud (raadpleeg F1):**

- Tapijtreiniger
- Extractie schoen
- Rolborstel
- 50' verlengsnoer

#### **Identificatiegegevens van de machine**

Het serienummer van de machine en de modelnaam staan op het serielabel.

Deze informatie is nuttig. Gebruik de volgende tabel om de identificatiegegevens



van de machine op te schrijven wanneer u reserveonderdelen voor de machine nodig hebt.

Model .....
Serienummer .....

**Apparaat componenten** (raadpleeg p. 2)

1. veiligheidsschakelaar 2. stroomkabel haak
3. stroomkabel 4. handvat buis (roestvrij) 5. oplossing tank 6. achterwiel 7. machinebasis
8. "Kickstand" pedaal 9. basis hoogte instelknop 10. extractie schoen knop 11. zuigslang invoer 12. deksel 13. vulpoort 14. viper logo 15. extractie schoen 16. bedieningspaneel 17. handgereedschap (optioneel) 18. handgereedschap spuitmond
19. handgereedschap snelkoppeling 20. handgereedschap ventielhendel 21. handgereedschap zuigslang 22. kabelklem 23. basispaneel 24. handvat instelknop 25. slangklem 26. zichtbuis koppeling 27. niveau indicator 28. zuigslang 29. opvangtank afvoerslang 30. accessoire snelkoppeling 31. schoonwater filter 32. schacht 33. "Kickstand" machine houder 34. mondstuk basis 35. sproeikop 36. slijtplaat 37. "Kickstand" moer 38. machine montage bout 39. rolborstel 40. rolborstel houder 41. sluiting deksel schoonwatertank 42. opvangtank 43. vlotter filter afdekking 44. vlotterafdekking 45. schuimfilter 46. vlotter filter houder 47. V-riemafdekking

**Extractie schoen en rolborstel installatie**

**Extractie schoen installatie (raadpleeg F2):**

- 1) Plaats de machine eerst recht op de grond.
- 2) Til de extractie schoen knop omhoog.
- 3) Plaats de extractie schoen op de zuigslang en de montagebasis in de juiste positie.
- 4) Laat de extractie schoen knop los.
- 5) trek de extractie schoen terug, als deze niet beweegt, is de installatie voltooid.

**Rolborstel installatie (raadpleeg F3):**

- 1) Plaats de machine in de zijdelingse positie.
- 2) Installeer een kant van de rolborstel met de bevestigingsleuf in de bevestiging en druk de andere kant in de richting van de rolborstel houder. Tip: Druk eerst een kant van de borstel in en zorg ervoor dat het uiteinde met een groef op zijn plaats is

geïnstalleerd en installeer dan de andere kant.

- 3) Als de rolborstel soepel draait, is de installatie voltooid.

**Greeprichting en hoogte-instelling extractie schoen/rolborstel**

**Regeling van de richting van de handgreep (raadpleeg F4)**

- 1) De hoogte van het handvat kan worden aangepast aan de lengte van de gebruiker of de persoonlijke bedieningsgewoonte.
- 2) Houd de instelknop van de hendel vast en draai in de tegenovergestelde richting om de hend.
- 3) Hendel los te draaien in op de juiste positie en draai de knop vast.

**Aanpassing van de extractie schoen/rolborstel**

Wanneer de machine op verschillende soorten tapijt werkt of de rolborstel een zekere mate van slijtage vertoont, kunnen de bedieners de reinigingsprestaties van de machine verhogen door de hoogte van de extractie schoen en de rolborstel aan te passen (**raadpleeg F5**).

- 1) Machine rijsnelheid label (0 → MAX geeft de machinesnelheid aan van langzaam naar snel).
- 2) Rolborstel druk label (- → + geeft aan dat de druk op de borstel toeneemt).
- 3) Extractie schoen instelknop. Houd de instelknop van de extractie schoen vast en draai deze in dezelfde richting, beweeg de extractie schoen omhoog of omlaag naar de juiste positie.

**Bedieningspaneel (raadpleeg F6).**

1. Stroomschakelaar 2. Schakelaar waterpomp
3. Stofzuigermotor schakelaar 4. Zekering voor rolborstel motor 5. Zekering voor stofzuigermotor

**Gebruik van de machine Voor het gebruik**

- 1) Inspecteer de stroomkabel en verlengkabel op schade. Vervang de kabel als er schade wordt vastgesteld.
- 2) Stofzuig het te reinigen gebied om het grootste deel van het vaste vuil te verwijderen voordat u de machine gebruikt om het te reinigen.

**Gebruik**



**A Waarschuwing: Zorg ervoor dat het snoer niet in contact komt met de roterende borstels.**

- 1) Gebruik een slang of emmer om de schoonwatertank met heet water te vullen. (max. 120°F/50°C, capaciteit 9 Gal./35L).
- 2) Voeg het door de distributeur aanbevolen reinigingsmiddel toe.
- 3) Sluit het meegeleverde verlengsnoer aan op de machine. Steek het snoer in een geaard stopcontact.
- 4) Schakel de aan/uit-schakelaar en de stofzuiger/pompschakelaar in.
- 5) Om te beginnen met reinigen, drukt u op de spuitmodus schakelaar en begint u de machine achteruit te trekken. (Opmerking: de machine spuit alleen als de pompschakelaar op AAN staat en de spuitmodus schakelaar is ingedrukt.)
- 6) Laat de spuitknop aan het einde van het pad los en trek de machine terug om overtollige oplossing op te zuigen.
- 7) Kantel de machine terug op de transportwielen en duw naar voren om met het volgende pad te beginnen.

**A Reinigingstips:**

- 1) Ga over het te reinigen oppervlak in overlappende paden.
- 2) Laat het reinigingsmiddel gedurende 5 tot 10 minuten inwerken op sterk vervuilde plaatsen en herhaal de reiniging verschillende keren.
- 3) Werk van het stopcontact en de stroomkabel af om schade aan de stroomkabel te voorkomen.
- 4) Controleer continu op schuimvorming in de opvangtank. Gebruik een door de dealer aanbevolen schuim controle oplossing. (Opmerking: Overmatige schuimvorming zal de vlotterafsluiting niet activeren en kan de zuigmotor beschadigen.)
- 5) Als de borstel stopt met ronddraaien, kan er een obstructie in de borstel zitten. Koppel de stroomkabel los, controleer de borstel en verwijder de obstructie.
- 6) Wanneer de opvangtank vol is of de schoonwatertank leeg is, moet u de opvangtank legen. (raadpleeg ledigen van het reservoir)

**Gebruik met accessoires (alleen aanbevolen/goedgekeurde onderdelen en**

**accessoires mogen worden gebruikt).**

Een optioneel handgereedschap voor accessoires kan worden bevestigd om bekleding en trappen schoon te maken. Gebruik met handgereedschap (**raadpleeg F7**):

- 1) Ontkoppel de normale zuigslang van de het deksel.
- 2) Plaats de accessoire zuigslang in de het deksel in plaats van de normale zuigslang.
- 3) Sluit de accessoire snelkoppeling aan op de snelkoppeling op de achterkant van de machine.
- 4) Schakel de aan/uit-schakelaar en de schakelaar van de zuigmotor /waterpomp in.
- 5) Gebruik de hendel op het handgereedschap om een reinigingsmiddeloplossing te spuiten.
- 6) Wanneer het reinigen is voltooid, schakelt u de waterpomp/ zuigmotor schakelaar uit en drukt u de knop 3 seconden in om de waterdruk uit de oplossingsleidingen te ontlasten.

**Afsluiten**

- 1) Schakel de machine uit, koppel de stroomkabel los en verwijder deze.
- 2) Maak de opvangtank en de schoonwatertank leeg. (raadpleeg tanken ledigen)

**Tanken ledigen**

**De opvangtank ledigen (raadpleeg F8):**

- 1) Verplaats de machine naar een geschikte afvoerlocatie. (Houd rekening met het milieu)
- 2) Houd de afvoerslang voor de opvangtank vast en laat deze over de afvoer zakken. Open de afdekking van de afvoerslang voor het ledigen van de opvangtank.
- 3) Plaats de afvoerslang terug op de machine.

**De schoonwatertank ledigen (raadpleeg F9):**

- 1) Verplaats de machine naar een geschikte afvoerlocatie. (Houd rekening met het milieu)
- 2) Koppel de slangkoppeling los en laat de slang zakken voor het ledigen van de schoonwatertank.
- 3) Sluit de slangkoppeling weer aan op de machine.

**Machine-onderhoud**


**A Waarschuwing: om het risico op een elektrische schok te voorkomen, dient u altijd te controleren of de machine losgekoppeld is voordat u**

**onderhouds- of reparatiewerkzaamheden uitvoert.**

Voer de volgende onderhoudsprocedures uit om de machine goed te laten presteren en de levensduur ervan te verlengen.

**Dagelijks onderhoud**

- 1) Ledig de opvangtank en de schoonwatertank en spoel ze af.
- 2) Controleer snelkoppelingen en spuitkoppen. Reinig indien nodig (Opmerking: gebruik nooit een puntig voorwerp om de spuitkoppen te reinigen, spoel ze alleen af met warm water) **(raadpleeg F10)**.
- 3) Verwijder het vlotterfilter uit de opvangtank en maak hem schoon met water **(raadpleeg F11)**.
- 4) Controleer het vulpoort filter en maak hem schoon met water **(raadpleeg F12)**.
- 5) Controleer het waterpompfilter onder de machine en maak hem schoon met water **(raadpleeg F13)**.
- 6) Controleer de rolborstel en verwijder eventueel vuil of tapijtvezels.

 **Waarschuwing: Schakel de stroomschakelaar uit en haal de stekker uit het stopcontact voordat u de rolborstel controleert.**

- 7) Controleer de extractie schoen en verwijder eventueel vuil of tapijtvezels.
- 8) Reinig de machine na gebruik met een zachte doek.
- 9) Controleer de stroomkabel, het verlengsnoer en de slangen op beschadigingen voor elk gebruik van de machine.

**Maandelijks onderhoud**

- 1) Controleer de rolborstel op slijtage. Vervang indien nodig.
- 2) Controleer slangen en afdichtingen op schade. Vervang indien nodig.
- 3) Controleer de machine op waterlekken.
- 4) Smeer de wielen.
- 5) Controleer de machine op losse of ontbrekende moeren, schroeven en bouten

en vervang deze indien nodig.

- 6) Controleer de V-riem op slijtage. Vervang indien nodig.

**Spuitkop installatie (raadpleeg F14).**

1. spuitkop basis
2. rubberen afdichtingsring
3. Spuitmondstuk


Nadat de spuitkop werd gereinigd, moet de spuitkop op de basis worden geïnstalleerd. Plaats eerst de rubberen ring in de juiste positie, druk dan naar beneden en draai de spuitkop 90 graden, zodat hij horizontaal uitgelijnd is, de installatie is voltooid.

**Opbergen**

**Stroomkabel opbergen**

- 1) Bind de stroomkabel vast met kabelbinders en bewaar hem op stroomkabel haak **(raadpleeg F15)**.
- 2) De stroomkabel kan ook rond de handgreep buis worden gewikkeld **(raadpleeg F16)**.

**Machine opbergen**

 **Opmerking: Ledig de opvangtank en de schoonwatertank voordat u de machine opbergt om de tanks fris te houden en in geval van temperaturen beneden het vriespunt. Deze machine mag alleen binnen worden opgeslagen.**

- 1) Bewaar de machine rechtop in een droge ruimte en druk het pedaal in om de rolborstel van de vloer te houden **(raadpleeg F17)**.
- 2) Vouw de hendel naar de achterkant van de machine om de opslagruimte te verkleinen **(raadpleeg F18)**.
- 3) Verwijder de het deksel van de opvangtank om luchtcirculatie mogelijk te maken.

**Schakelschema raadpleeg F19**

**Technische specificaties raadpleeg F20**

**Machine samenstelling en recyclebaarheid raadpleeg F21**

**Eenvoudige probleemoplossing**



**Opmerking; Trek de stekker uit het stopcontact voordat u onderhoud verricht.**

Als uw problemen niet in deze tabel worden vermeld of als uw machine nog steeds niet goed werkt, neem dan contact op met een geautoriseerde klantenservice voor hulp.

Probleem	Oplossing
Machine werkt helemaal niet	Steek de stroomkabel in een geaard stopcontact
	Probeer een ander verlengsnoer
Zuigmotor werkt niet	Zet de stofzuigermotor schakelaar aan
	Reset de zuigmotor beschermingszekering (stroomonderbreker) op het bedieningspaneel
Rolborstel motor werkt niet	Zet de rolborstel motor schakelaar aan
	Reset de rolborstel motor beschermingszekering (stroomonderbreker) op het bedieningspaneel
Onvoldoende zuigprestaties	Controleer de afdichtingsring van de opvangtank, reinig of vervang deze indien nodig
	Ledig de opvangtank
	Zorg dat ervoor dat de zuigslang correct geplaatst is
	Controleer de zuigslang op eventuele schade, vervang deze indien nodig
	Vertraag het schoonmaken
Er komt geen water uit de spuitkop	Vul de schoonwatertank opnieuw
	Zet de waterpomp schakelaar aan
	Spoel de spuitkop af met heet water (max. 120°F/50°C)
	Reinig of vervang het oplossingsfilter aan de onderkant van de machine
Rolborstel werkt niet	Zet de rolborstel schakelaar aan
	Controleer de V-riem op schade, vervang deze indien nodig
	Controleer de montage van de rolborstel
	Controleer de rolborstel op tapijtvezels, draden of vuil, wat voorkomt dat de borstel goed draait.

**Vrijdering:**



Apparaten met het doorkruiste afvalcontainer geeft aan dat gebruikte elektrische en elektronische apparatuur niet samen worden weggegooid met ongescheiden huisvuil. Om negatieve effecten op de menselijke gezondheid en het milieu van de apparatuur moet afzonderlijk op de daarvoor bestemde verzamelaars worden verzameld te vermijden.

Gebruikers van elektrische en elektronische huishoudelijke apparatuur moet de gemeentelijke inzamelingsregelingen gebruiken. Houd er rekening mee dat in de handel gebruikte elektrische en elektronische apparatuur, worden niet

weggegooid te worden via gemeentelijke inzamelingsregelingen. We zullen blij zijn om u te informeren over geschikte opties ter beschikking zijn.

**Introduzione:** Questo apparecchio fornisce un'intelligente ed efficiente soluzione di pulizia per i pavimenti rivestiti di moquette. La macchina è destinata ad uso commerciale, in alberghi, scuole, ospedali, fabbriche, negozi, uffici e attività di noleggio. È costruita per essere usata in ambienti interni. Lo scopo di questo manuale è fornire all'operatore le informazioni necessarie per utilizzare la macchina in modo corretto e sicuro. Leggerlo attentamente prima di eseguire qualsiasi operazione e manutenzione.

### **Importanti istruzioni di sicurezza**

La macchina deve essere collegata a terra durante il funzionamento. Per ridurre il rischio di incendio, scosse elettriche o lesioni, seguire queste importanti avvertenze. La mancata osservanza di queste istruzioni di sicurezza potrebbe provocare danni alla macchina, danni materiali o lesioni personali.

- 1) Utilizzare questa macchina solo come descritto in questo manuale. Non usarla in modi non previsti. Utilizzare solo accessori consigliati dal produttore.
- 2) Non lasciare la macchina incustodita quando è collegata. Spegnerne tutti gli interruttori e scollegare il cavo elettrico quando non è in uso e prima di effettuare la manutenzione.
- 3) L'apparecchio non è destinato all'utilizzo da parte di persone (inclusi i bambini) con ridotte capacità fisiche, sensoriali o mentali, o mancanza di esperienza e conoscenza, a meno che non siano supervisionati o siano stati istruiti circa l'uso dell'apparecchio da qualcuno responsabile per la loro sicurezza.
- 4) Se la macchina non funziona come dovrebbe, è stata danneggiata o lasciata all'esterno, portarla presso un centro di assistenza prima di riutilizzarla.
- 5) Evitare scosse elettriche, non toccare la spina o la macchina con le mani bagnate. Per scollegare il cavo, afferrare la spina. Non tirare il cavo.
- 6) Non utilizzare prolunghe o prese con una portata di corrente inadeguata. Non usare con cavo o spina danneggiati. Collegare la macchina solo a una presa correttamente messa a terra.

Evitare di danneggiare il cavo (chiudere le porte sul cavo, tirarlo intorno a spigoli vivi o angoli, superfici calde, o far passare la macchina sul cavo).

- 7) Questa macchina aspira e contiene una spazzola rotante. Tenere capelli, indumenti sciolti, dita e ogni altra parte del corpo lontano da aperture e parti mobili. Non inserire alcun oggetto in nessuna delle aperture della macchina.
- 8) Non aspirare oggetti in fiamme o fumanti, quali sigarette, fiammiferi o ceneri calde.
- 9) Non utilizzare la macchina per aspirare liquidi infiammabili o combustibili come la benzina.
- 10) Non utilizzare in aree in cui sono presenti vapori o polveri infiammabili e/o esplosivi per evitare possibilità di incendio o esplosione. Alcuni liquidi detergenti possono produrre tali vapori. Questa macchina non è fatta per aspirare polvere dannosa alla salute.
- 11) Prestare particolare attenzione durante la pulizia delle scale.
- 12) Non utilizzare la macchina all'aperto.
- 13) Conservare la macchina in un luogo ventilato e asciutto.

### **Disimballaggio**

Quando la macchina viene consegnata, ispezionare attentamente il cartone di spedizione e la macchina per eventuali danni. In caso di danni, segnalarli al corriere prima di accettare la merce, per riservarsi il diritto al risarcimento del danno.

La confezione contiene i seguenti articoli:  
Contenuto (vd. **figura F1**):

- Estrattore ditappeti • Bocchetta diaspirazione
- Spazzola rotante • Cavo di alimentazione 50'

### **Dati identificativi della macchina**

Numero di serie della macchina e nome del modello sono indicati sull'etichetta di serie. Si tratta di un'informazione utile. Utilizzare la seguente tabella per annotare i dati di identificazione della macchina quando si richiedono pezzi di ricambio per la macchina.

Modello macchina.....
Numero di serie .....

**Componenti della macchina** (vd. pag. 2)

1. Interruttore nebulizzazione 2. Gancio del cavo 3. Cavo di alimentazione 4. Tubo maniglia (inossidabile) 5. Serbatoio soluzione 6. Ruota posteriore 7. Base della macchina 8. Pedale a "cavalletto" 9. Manopola di regolazione altezza della base 10. Manopola della bocchetta di aspirazione 11. Ugello tubo di aspirazione 12. Cupola 13. Sportello di riempimento 14. Logo Viper 15. Bocchetta di aspirazione 16. Pannello di controllo 17. Attrezzo manuale (opzionale) 18. Ugello a spruzzo manuale 19. Connettore rapido dell'attrezzo manuale 20. Maniglia della valvola dell'attrezzo manuale 21. Ugello di aspirazione dell'attrezzo manuale 22. Stringicavo 23. Pannello della base 24. Manopola di regolazione della maniglia 25. Fascetta 26. Manicotto del tubo a vista 27. Tubo a vista 28. Ugello di aspirazione 29. Tubo di scarico del serbatoio di recupero 30. Accessorio di abbinamento rapido 31. Filtro della soluzione 32. Asta 33. Piedistallo "a cavalletto" 34. Base dell'ugello 35. Ugello atomizzatore 36. Piastra di rivestimento 37. Dado del "cavalletto" 38. Bullone di assemblaggio della macchina 39. Spazzola rotante 40. Portaspazzole 41. Cupola del serbatoio di raccolta 42. Serbatoio di raccolta 43. Coperchio del filtro galleggiante 44. Coperchio del galleggiante 45. Filtro schiuma 46. Supporto del filtro galleggiante 47. Rivestimento della cinghia trapezoidale

#### **Installazione della bocchetta di aspirazione e della spazzola rotante**

##### **Installazione bocchetta di aspirazione (vd. F2):**

- 1) Innanzitutto, collocare la macchina in senso verticale sul pavimento.
- 2) Sollevare la manopola della bocchetta di aspirazione.
- 3) Inserire la bocchetta di aspirazione sul tubo di aspirazione e la base di montaggio nella posizione corretta.
- 4) Rilasciare la manopola della bocchetta di aspirazione.
- 5) Spingere indietro la bocchetta di aspirazione; se non si muove, l'installazione è completa.

##### **Installazione della spazzola rotante (vd. F3):**

- 1) Collocare la macchina su un fianco.
- 2) Installare un lato della spazzola rotante

con la fessura di posizionamento sul supporto di montaggio del cuscinetto e premere l'altro lato sul portaspazzole. Sugerimento: in primo luogo, spingere un lato della spazzola e assicurarsi che l'estremità con il solco sia assicurata e quindi installare l'altro lato.

- 3) Se la spazzola rotante gira dolcemente, l'installazione è completa.

##### **Direzione della maniglia e regolazione in altezza della bocchetta di aspirazione/ spazzola rotante**

##### **Regolazione della direzione della maniglia (vd. F4)**

- 1) L'apparecchio può regolare l'altezza della maniglia in base alla statura o alle abitudini di utilizzo personale.
- 2) Reggendo la manopola di regolazione della maniglia, ruotarla in direzione opposta per allentare la maniglia.
- 3) Regolare la maniglia nella posizione appropriata e stringere la manopola.

##### **Regolazione di bocchetta di aspirazione/ spazzola rotante**

Quando la macchina ha già lavorato su diverse moquette o la spazzola rotante mostra segni di usura, gli operatori possono aumentare le prestazioni di pulizia della macchina regolando l'altezza della bocchetta di spirazione e della spazzola rotante (vd. F5).

- 1) Etichetta della velocità di marcia della macchina (0 → MAX indica la velocità della macchina da lenta a veloce).
- 2) Etichetta di pressione della spazzola rotante (- → + Indica la pressione crescente esercitata sulla spazzola).
- 3) Manopola di regolazione della bocchetta di aspirazione.

Reggendo la manopola di regolazione della bocchetta di aspirazione e ruotandola nella stessa direzione, spostare la bocchetta di aspirazione verso l'alto o verso il basso nella posizione appropriata.

##### **Pannello di controllo (vd. F6).**

1. Interruttore 2. Interruttore pompa dell'acqua 3. Interruttore motore di aspirazione 4. Fusibile per motore spazzola rotante 5. Fusibile per motore di aspirazione

##### **Funzionamento della macchina Prima dell'utilizzo**

- 1) Controllare che il cavo di alimentazione e

il cavo di prolunga non siano danneggiati. Sostituire il cavo se si riscontrano danni.  
 2) Aspirare l'area da pulire per rimuovere la maggior parte dei detriti solidi prima di utilizzare la macchina per pulire.

#### Funzionamento



**Avvertenza: Non permettere che il cavo entri in contatto con le spazzole rotanti.**

- 1) Utilizzando un tubo o un secchio, riempire il serbatoio della soluzione con acqua calda. (massimo 120°F / 50°C, capacità 9 litri / 35 litri).
- 2) Aggiungere il detergente consigliato dal produttore/dealer.
- 3) Collegare alla macchina il cavo di alimentazione fornito. Collegare il cavo a una presa a muro con messa a terra.
- 4) Accendere l'interruttore di alimentazione all'interruttore di aspirazione/pompa.
- 5) Per cominciare a pulire, premere l'interruttore modalità nebulizzatore e iniziare a tirare la macchina all'indietro. (Nota: l'apparecchio spruzza solo quando l'interruttore della pompa è su ON e viene premuto l'interruttore di modalità nebulizzatore.)
- 6) Rilasciare il pulsante di nebulizzazione alla fine del percorso e continuare a tirare la macchina all'indietro per raccogliere la soluzione in eccesso.
- 7) Ribaltare la macchina sulle ruote di trasporto e spingere in avanti per cominciare il percorso successivo.



**Suggerimenti di pulizia:**

- 1) Percorrere la superficie da pulire sovrapponendo i percorsi.
- 2) Lasciar agire la soluzione detergente per 5-10 minuti su aree molto sporche e ripetere la pulizia più volte.
- 3) Stare lontano dalla presa e dal cavo di alimentazione per evitare danni al cavo di alimentazione.
- 4) Controllare costantemente l'accumulo di schiuma nel serbatoio di recupero. Utilizzare una soluzione a schiuma controllata raccomandata dal distributore. **(Nota: Un eccessivo accumulo di schiuma non fa scattare il dispositivo del galleggiante e può causare danni al motore di aspirazione.)**

- 5) Se la spazzola smette di ruotare, potrebbe esserci un'ostruzione. Scollegare il cavo di alimentazione, controllare la spazzola e rimuovere l'ostruzione.
- 6) Quando il serbatoio di recupero è pieno o il serbatoio della soluzione è vuoto, è necessario scaricare il serbatoio di recupero. (vd. serbatoio di drenaggio)

**Funzionamento con strumenti accessori (Usare solo parti/accessori raccomandati/autorizzati).**

Per pulire tappezzeria e scale è possibile montare un accessorio manuale opzionale. Funzionamento con utensile manuale **(vd. F7):**

- 1) Disconnettere il normale tubo di aspirazione dalla cupola.
- 2) Inserire nella cupola il tubo di aspirazione accessorio invece del normale tubo di aspirazione.
- 3) Collegare il connettore rapido manuale all'innesto rapido situato sul retro della macchina.
- 4) Accendere l'interruttore di alimentazione e l'interruttore del motore di aspirazione/pompa dell'acqua.
- 5) Utilizzare la leva sullo strumento manuale per spruzzare la soluzione detergente.
- 6) Al termine della pulizia, spegnere l'interruttore della pompa dell'acqua/del motore di aspirazione e premere il grilletto per 3 secondi per scaricare la pressione dell'acqua dalle linee della soluzione.

#### Spegnimento

- 1) Spegnere la macchina, scollegare e rimuovere il cavo di alimentazione.
- 2) Svotare il serbatoio di recupero e il serbatoio della soluzione. (vd. Serbatoi di drenaggio)

#### Serbatoi di drenaggio

**Svuotamento del serbatoio di recupero (vd. F8):**

- 1) Spostare la macchina in una posizione di scarico appropriata. (Si prega di considerare l'ambiente)
- 2) Reggere il tubo di scarico del serbatoio di recupero e abbassarlo sopra lo scarico. Aprire il coperchio del tubo di scarico per lo scarico del serbatoio di recupero.
- 3) Rimontare il tubo di scarico sulla macchina.

### **Svuotare il serbatoio della soluzione (vd. F9):**

- 1) Spostare la macchina in una posizione di scarico appropriata. (Si prega di considerare l'ambiente)
- 2) Scollegare il raccordo del flessibile e abbassare il tubo per lo svuotamento del serbatoio della soluzione.
- 3) Collegare il raccordo del tubo flessibile alla macchina.

### **Manutenzione della macchina**



**Avvertenza:** Per evitare il rischio di scosse elettriche, si prega di verificare sempre che la macchina sia scollegata prima di eseguire qualsiasi intervento di manutenzione o riparazione.

Per mantenere la macchina in buone condizioni e prolungarne la durata, eseguire le seguenti procedure di manutenzione.

### **Manutenzione quotidiana**

- 1) Drenare e risciacquare il serbatoio di recupero e il serbatoio di soluzione.
- 2) Controllare gli attacchi rapidi e gli ugelli. Pulirli se necessario (Nota: non usare mai oggetti appuntiti per pulire gli ugelli, ma sciacquarli solo con acqua calda) (vd. F10).
- 3) Rimuovere il filtro galleggiante dal serbatoio di recupero e pulirlo con acqua (vd. F11).
- 4) Controllare il filtro della porta di riempimento e pulirlo con acqua (vd. F12).
- 5) Controllare il filtro della pompa dell'acqua sotto la macchina e pulirlo con acqua (vd. F13).
- 6) Controllare la spazzola rotante e rimuovere eventuali detriti o fibre di tappeto.



**Avvertenza:** Spegnere l'interruttore d'alimentazione e scollegare la spina prima di controllare la spazzola rotante.

- 7) Controllare la bocchetta aspirapolvere e rimuovere eventuali detriti o fibre di tappeto.
- 8) Pulire la macchina con un panno morbido dopo l'uso.
- 9) Controllare che il cavo di alimentazione, la prolunga e i tubi flessibili non siano danneggiati prima di ogni utilizzo della macchina.

### **Manutenzione mensile**

- 1) Controllare la spazzola rotante per

eventuale usura. Sostituirla se necessario.

- 2) Controllare ugelli e guarnizioni per eventuali danni. Sostituirli se necessario.
- 3) Controllare che non ci siano perdite d'acqua.
- 4) Lubrificare le ruote.
- 5) Controllare la macchina per dadi, viti e bulloni allentati o mancanti e sostituirli se necessario.
- 6) Controllare se la cinghia trapezoidale è usurata. Sostituirla se necessario.

### **Installazione dell'ugello (vd F14).**

1. Base dell'ugello 2. anello di tenuta in gomma 3. Ugello nebulizzatore
- Dopo averlo pulito, l'ugello deve essere installato sulla base. Innanzitutto, installare l'anello di gomma nella posizione corretta, quindi premere verso il basso e ruotare l'ugello di 90 gradi per allinearlo in direzione orizzontale; l'installazione è completa.

### **Conservazione**

#### **Conservazione del cavo di alimentazione**

- 1) Legare il cavo di alimentazione con fascette e arrotolarlo sul gancio del cavo di alimentazione (vd. F15).
- 2) Il cavo di alimentazione può essere avvolto attorno al tubo della maniglia (vd. F16).

#### **Conservazione della macchina**



**Nota:** Svuotare il serbatoio di recupero e il serbatoio della soluzione prima di riporre la macchina, per mantenere i serbatoi freschi e in caso di temperature di congelamento. Questa macchina deve essere conservata solo in ambienti chiusi.

- 1) Conservare la macchina in posizione verticale in un luogo asciutto e premere il pedale per mantenere la spazzola rotante sollevata dal pavimento (vd. F17).
- 2) Piegare la maniglia verso la parte posteriore della macchina per ridurre lo spazio di riposizione (vd. F18).
- 3) Rimuovere la cupola del serbatoio di recupero per consentire la circolazione dell'aria.

**Per lo schema di cablaggio vd. F19**

**Per le specifiche tecniche vd. F20**

**Per la composizione del materiale della macchina e la sua riciclabilità vd. F21**

**Risoluzione dei problemi di base**

**Avvertenza:** Scollegare la spina di alimentazione prima di eseguire qualsiasi intervento di manutenzione.

Se i problemi non sono menzionati in questa tabella o la macchina continua a non funzionare correttamente, contattare un addetto all'assistenza clienti autorizzato.

Problema	Contromisura
La macchina non funziona affatto	Collegare il cavo di alimentazione a una presa con messa a terra
	Provare un cavo di prolunga sostitutivo
Il motore di aspirazione non funziona	Accendere l'interruttore del motore di aspirazione
	Ripristinare il fusibile di protezione del motore di aspirazione (interruttore di circuito) sul pannello di controllo
Il motore della spazzola rotante non funziona	Accendere l'interruttore del motore della spazzola rotante
	Ripristinare il fusibile di protezione del motore della spazzola rotante (interruttore di circuito) sul pannello di controllo
Insufficiente potenza di aspirazione	Controllare l'anello di tenuta del serbatoio di recupero, pulirlo o sostituirlo se necessario
	Svuotare il serbatoio di recupero
	Assicurarsi che il tubo di aspirazione sia inserito
	Controllare il tubo di aspirazione per eventuali danni e sostituirlo se necessario
	Rallentare le operazioni di pulizia
Nessun getto d'acqua dall'ugello	Riempire il serbatoio della soluzione
	Accendere l'interruttore della pompa dell'acqua
	Risciacquare l'ugello con acqua calda (max. 120°F/50°C)
	Pulire o sostituire il filtro della soluzione nella parte inferiore della macchina
La spazzola rotante non funziona	Accendere l'interruttore del motore della spazzola rotante.
	Controllare eventuali danni della cinghia trapezoidale e sostituirla se necessario
	Controllare il montaggio della spazzola rotante
	Controllare la spazzola rotante per eventuali fibre, fili o detriti di tappeti che impediscano alla spazzola di ruotare correttamente.



**Smaltimento:** Il simbolo del bidone della spazzatura barrato apposto sull'apparecchio indica che le apparecchiature elettriche ed elettroniche usate non devono essere gettate nella raccolta indifferenziata di rifiuti domestici. Per evitare effetti negativi sulla salute umana e sull'ambiente, le apparecchiature devono essere smaltite separatamente, presso i punti di raccolta designati.

Gli utenti di apparecchiature elettriche ed elettroniche domestiche devono smaltirle presso i Centri di raccolta differenziata del territorio di residenza. Vi

preghiamo di notare che le apparecchiature elettriche ed elettroniche commerciali non devono essere smaltite presso i sistemi di raccolta comunali. Saremo lieti di informarvi sulle opzioni di smaltimento adeguate.



**Introduksjon:** Dette apparatet tilbyr en smart og effektiv renseløsning for teppebelagte gulv. Maskinen kan brukes kommersielt på hoteller, skoler, sykehus, fabrikker, butikker og leieforetninger. Den er konstruert til bruk innendørs. Formålet til denne manualen er å gi operatøren nødvendig informasjon slik at operatøren kan bruke maskinen på en trygg og god måte. Les igjennom manualen nøye før du tar maskinen i bruk eller gjør vedlikehold på den.



### Viktige Sikkerhetsinstruksjoner

Maskinen trenger å være jordet mens man bruker den. For å redusere risikoen for brann, elektrisk sjokk eller skade, følg nøye med på disse advarslene. Om du ikke følger disse sikkerhetsreglene kan du påføre skade på maskinen, eiendelene dine eller deg selv.

- 1) Bruk denne maskinen kun som det står i manualen, ikke bruk den på måter den ikke er skapt for. Bruk bare produsentens anbefalte tilleggsdeler.
- 2) Ikke la maskinen stå uten oppsyn når den er pluggert inn. Skru av alle knappene og plugg ut kabelen når den ikke er i bruk eller før vedlikehold.
- 3) Maskinen er ikke skapt for bruk av personer (inkl. barn) med fysiske problemer, nedsatt syn og hørsel, manglende erfaring og kunnskap eller manglende instruksjoner før bruk av maskinen, gitt av sikkerhetsansvarlig.
- 4) Om maskinen ikke fungerer som den skal, har blitt mistet i bakken, skadd eller latt stå ute, så må du levere den til et servicesenter før bruk.
- 5) Unngå elektrisk sjokk. Ikke ta i pluggen eller maskinen med våte hender. For å plukke ut kabelen, ta tak i pluggen. Ikke riv i ledningen.
- 6) Ikke bruk skjøteledninger eller uttak med uadekvat strømføring. Ikke bruk med skadet ledning eller plugg. Plugg kun i maskinen i en

ordentlig jordet stikkontakt. Unngå å skade ledningen (lukke igjen dører på ledningen, røsking i skarpe hjørner, varme overflater eller å kjøre selve maskinen over ledningen).

7) Denne maskinen skaper et sug og har en roterende børste. Hold hår, løse plagg, fingre og alle andre kroppsdelene unna åpninger og bevegelige deler. Ikke putt noe objekt inn i noen av åpningene til maskinen.

8) Ikke plukk opp noe som brenner eller ryker, som f.eks. sigaretter, fyrstikker eller het aske.

9) Ikke bruk maskinen til å ta opp tennbar væske som bensin.

10) Ikke bruk i områder der påtennelig eller eksplosiv damp er i nærheten for å unngå fyr eller eksplosjon. Maskinen passer ikke til å plukke opp helseskadelig støv.

11) Vær forsiktig når du renser trapper.

12) Bruk ikke maskinen utendørs.

13) Lagre maskinen i et ventilert og tørt område.

### Utpakking

Når maskinen leveres, se over pakningen og maskinen nøye for skader. Om det er noen skade, gi beskjed til leveringsfirmaet og be om kompensasjon før du tar imot maskinen. Pakkekartongen inkluderer de følgende tingene:

Innhold (**referer til F1**):

- Teppe ekstraktør
- Vakumsko
- Rollebørste
- 50' Strømkabel

### Maskinidentifikasjonsdata

Maskinens serienummer og modellnavn er på seriemerket.

Denne informasjonen er nyttig. Bruk den følgende tabellen for å skrive ned maskinens identifiseringsdata når du trenger reservedeler til maskinen.

Maskinmodell .....
Maskinens serienummer .....

**Maskinens komponenter** (Referer til side 2)

1. Spraymodusknapp 2. strømkabelkrok 3. strømledning 4. håndtakstube (rustfri) 5. løsningsstank 6. bakhjul 7. maskinbase 8. Kickstand-pedal 9. basehøydejusteringsknapp 10. vakumskoknapp 11. vakumslangeinntak 12. dome 13. fyllport 14. viper logo 15. vakumsko 16. kontrollpanel 17. håndverktøy (valgfri) 18. håndverktøy sprayknapp 19. håndverktøyets hurtigkobling 20. håndtak 21. vakumslange til håndverktøyet 22. kabelklemme 23. basepanel 24. justeringsknapp til håndtaket 25. slangeklemme 26. tubekobling 27. syntube 28. vakumslange 29. recovery tank dreneringsslange 30. hurtigkobling 31. løsningsfilter 32. skaft 33. "kickstand" maskinholder 34. base til munnstykket 35. spraymunnstykke 36. plate 37. "kickstand" mutter 38. maskinbolt 39. rullebørste 40. holder til rullebørste 41. recovery tank mottaker 42. recovery tank 43. lokk til flytefilter 44. flytelokk 45. skumfilter 46. flytefilterholder 47. V-belte lokk.

**Vakumsko og rullebørsteinstallasjon****Vakumsko installasjon (referer til F2)**

- 1) Først må du sette maskinen rett på gulvet.
- 2) Løft opp vakumskoknappen.
- 3) Sett inn vakumskoen på sugeslangen og monteringsbasen i riktig posisjon.
- 4) Slipp vakumskoknappen.
- 5) Dra tilbake vakumskoen. Om den ikke beveger seg er installasjonen komplett.

**Rullebørsteinstallasjon (referer til F3):**

- 1) Sett maskinen på siden.
- 2) Installer en side av rullebørsten med lokaliseringåpningen for å holde bærestativet, og press inn den andre siden til rullebørsteholderen. Tips: Først, klem en av sidene til børsten og pass på at enden som er ruglete har blitt installert på plass, for å så

deretter installere den andre siden.

- 3) Om rullebørster roteter uten problemer, er installasjonen komplett.

**Håndtaksretning og vakumsko / justering av rullebørstens høyde og****håndtaksretningsjustering (referer til F4)**

- 1) Apparatet kan justere høyden på håndtaket ut ifra størrelsen på personen som bruker den.
- 2) Å holde håndtaksjusteringsknappen og rotere den i motsatt retning vil løsne håndtaket.
- 3) Juster håndtaket til riktig posisjon for deg og stram til knappen.

**Vakumsko/rullebørste justering**

Når maskinen jobber på forskjellige tepper eller om rullebørsten har en viss bruksskade, så kan operatører forbedretelsen ved å justere høyden til vakumskoen og rullebørsten (**referer til F5**).

- 1) Maskin hastighetsmerket (0 → MAX indikerer maskinens hastighef fra langsom til rask).
- 2) Rullebørstens trykkmerke (- → + Indikerer at trykket på børsten blir høyere).
- 3) Vakumskoknappen. Å holde vakumskoen knapp og rotere den i samme retning beveger vakumskoen opp eller ned.

**Kontrollpanel (referer til F6)**

1. Av og på-knapp 2. Vannpumpeknapp
3. Knapp til vakumpumpen 4. Sikring for rullebørstens motor 5. Sikring for vakum motoren.

**Maskinoperasjon****Før du opererer**

- 1) Se at strømkabelen og ekstensjonskabelen ikke er skadd. Bytt kabelom det er skade.
- 2) Støvsug området som skal bli rensset for å fjerne mest mulig støv og annet før du bruker maskinen til å rense.

**Operasjon**



**Advarsel: Ikke la ledningen komme i kontakt med de roterende børstene.**

- 1) Ved bruk av en slange eller bøtte, fyll opp løsningsstanken med varmt vann. (Maks 50C/120F, kapasitet 9. gal/ 35L).
- 2) Legg til såpen vi anbefaler.
- 3) Koble til strømkabelen som du fikk med.
- 4) Plugg den deretter inn i en jordet stikkontakt.
- 5) For å starte rengjøringen, trykk på spraymodusknappen og dra maskinen bakover. (Maskinen vil kun spraye når pumpeknappen er trykket).
- 6) Slipp sprayknappen ved slutten av stien din og fortsett å dra maskinen bakover for å rense opp overflødig løsning.
- 7) Tipp maskinen bak på transporthjulene og dytt den deretter fremover for å starte på neste sti.



**Rengjøringstips:**

- 1) Dra den over overflaten i overlappende stier.
- 2) La såpeløsningen ligge i 5 til 10 minutter på steder med mange flekker og gjenta flere ganger.
- 3) Jobb vekk fra strømuttaket og kabelen for å unngå skade på den.
- 4) Sjekk kontinuerlig etter oppbygging av såpeskum i recovery tanken. **(Notis: For mye skum vil ikke aktivere avstengingen til floats og kan skade sugemotoren.)**
- 5) Om børsten stopper å spinne, så kan det være noe som ligger i veien til børsten. Plugg ut strømkabelen, sjekk børsten og fjern det som ligger i veien.
- 6) Når recovery-tanken er full, eller løsningsstanken er tom, så må du tømme recovery-tanken. ( )

**Operasjon med tilleggsverktøy (Kun anbefalte/autoriserte deler og tillegg skal brukes).**

En valgfri håndverktøy kan legges til for å

rense trapper.

Operasjon med håndverktøyet (**referer til F7**):

- 1) Koble fra den normale vakumslangen ut av kroppen.
- 2) Sett inn tillegsvakumslangen i hullet istedenfor den normale slangen.
- 3) Koble til tillegget med en quick connector bak på maskinen.
- 4) Skru på av/på knappen og vakum-motoren/vannpumpeknappen.
- 5) Bruk løftearmen på håndverktøyet for å sprate løsningen.
- 6) Når rengjøringen er over, skru av vannpumpen/vakum-motoren og trykk på knappen 3 ganger for å sende ut vannet fra løsningsrørene.

**Avskruing**

- 1) Skru av maskinen, plugg ut og fjern strømkabelen.
- 2) Tøm recovery tanken og løsningsstanken. (se Dreneringstanker)

**Tømming av tankene**

**Tømming av recovery tanken (referer til F8):**

- 1) Flytt maskinen til en passelig dreneringslokasjon. (Vennligst tenk på miljøet)
- 2) Hold dreneringsslangen til recovery tanken og senk den over utslaget. Åpne lokket for å drenere.
- 3) Sett i dreneringsslangen i maskinen.

**Tømming av løsningsstanken (referer til F9)**

- 1) Flytt maskinen til en dreneringslokasjon. (Tenk på miljøet)
- 2) Koble fra slangen og senk slangen for å tømme løsningsstanken.
- 3) Koble deretter slangen tilbake i maskinen.

**Maskinvedlikehold**



**Advarsel: For å unngå rikiso for**

**elektrisk sjokk, vennligst påse at maskinen alltid er plugget ut før vedlikehold eller reparasjonsarbeid.**

For å sikre at maskinen yter bra og for å forlenge livet dens, vennligst følg disse vedlikeholdsprosedyrene.

**Daglig Vedlikehold**

- 1) Drener og rens recoverytanken og løsningsstanken.
- 2) Sjekk kjappe koblinger og munnstykker. Rens om nødvendig (Notis: aldri bruk et spisst objekt til å rense munnstykkene, bare rens dem med varmt vann) **(referer til F10)**.
- 3) Fjern flytefilteret fra recoverytanken og rens den med vann **(referer til F11)**.
- 4) Sjekk fylleportens filter og rens den med vann **(referer til F12)**.
- 5) Sjekk at vannpumpefilteret under maskinen og rens den med vann **(referer til F13)**.
- 6) Sjekk rulelbørsten og fjern smårusk eller teppefibre.



**Advarsel: Skru av maskinen og koble fra strømledningen før du sjekker rulelbørsten**

- 7) Sjekk vakumskoene og fjern smårusk eller teppefibre.
- 8) Rens maskinen etter bruk.
- 9) Sjekk strømkabelen, skjøteledningen og slangene for skade før du bruker maskinen.

**Månedlig vedlikehold**

- 1) Sjekk om rulelbørsten har blitt skadd. Bytt den om nødvendig.
- 2) Sjekk slanger og forseglinger for skade. Bytt om nødvendig.
- 3) Sjekk maskinen for vannlekkasje.
- 4) Smør hjulene.
- 5) Sjekk maskinen for løse eller manglende muttere, skruer eller lignende og bytt om

nødvendig.

- 6) Sjekk v-beltet for slitasje og bytt om nødvendig.

**Installasjon av munnstykket (referer til F14).**

1. Munnstykke base
  2. Gummiring
  3. Spraytupp munnstykke
- Etter munnstykket er rensset, så trenger munnstykket å installeres på basen. Først, installer gummiringen i riktig posisjon, deretter press ned og roter munnstykket 90 grader mens du setter munnstykket i en horisontal posisjon. Deretter er installasjonen ferdig.

**Oppbevaring**

**Oppbevaring av strømledningen**

- 1) Bind strømledningen med kabelbinding og oppbevar den på kabelkroken **(referer til F15)**.
- 2) Strømledningen kan også snurres rundt håndtakstuben **(referer til F16)**.

**Maskinoppbevaring**



**Notis: tøm recovery tanken og løsningsstanken før du oppbevarer maskinen for å holde tankene friske, eller om det blir frost. Maskinen skal kun oppbevares innendørs**

- 1) Oppbevar maskinen i en oppreist posisjon i et tørt område og trykk inn pedalen for å unngå at rulelbørsten er på gulvet **(referer til F17)**.
- 2) Fold håndtaket mot enden av maskinen for å redusere oppbevaringsplass **(referer til F18)**.
- 3) Fjern recovery tankens dome for å få luftsirkulering.

**Ledningsdiagram referer til F19**

**Tekniske spesifikasjoner referer til F20**

**Maskinmaterialkomposisjon og resirkuleringsevnt referer til F21**

## Problemløsninger



### Notis: Ta ut pluggene før du gjør noe vedlikehold på maskinen

Om problemene dine ikke nevnes i denne tabellen, eller om maskinen fremdeles ikke fungerer ordentlig, anbefales du å ta kontakt med autorisert kundeservice.

Problem	Løsning
Maskinen virker ikke	Plugg i strømledningen
	Prøv en alternativ strømledning
Vakummotoren virker ikke	Skru på vakummotoren
	Restart vakummotorens beskyttelses-sikring (sikring) på kontrollpanelet
Rullebørstens motor virker ikke	Skru på knappen til rullebørsten
	Restart rullebørstemotorens beskyttelses-sikring (sikring) på kontrollpanelet
Dårlig vakumytelse	Sjekk forseglingsringen i recovery tanken, rens eller bytt om nødvendig
	Drener recovery tanken
	Sikre at vakumslangen er på plass
	Sjekk vakumslangen for skade og bytt om nødvendig
Ingen vannspray fra munnstykket	Sakk ned på renseoperasjonen
	Fyll opp løsningstanken
	Skru på vannpumpen
	Rens munnstykket i varmt vann (maks 120° F/50°C)
Rullebørsten virker ikke	Rens eller bytt filteret under maskinen
	Skru på rullebørstemotoren
	Sjekk V-beltet for skade og erstatt om nødvendig
	Sjekk at rullebørsten er satt sammen ordentlig
	Sjekk rullebørsten for teppefibre, tråder eller annet som hindrer rotasjonen.

## Disposisjon:



Utstyr merket med symbolet for krysset kasse viser at elektrisk og elektronisk utstyr ikke skal kastes sammen med uavhengig husholdningsavfall. For å unngå negative virkninger på menneskers helse og miljøet må utstyret samles inn separat ved de utpekte innsamlingspunktene. Brukere av elektrisk og elektronisk husholdningsutstyr må bruke kommunale innsamlingsordninger.

Vær oppmerksom på at kommersielt brukt elektrisk og elektronisk utstyr, må ikke avhendes via kommunale innkreivingsordninger. Vi vil gjerne informere deg om passende avhendingsalternativer.

**Introduktion:** Detta redskap tillhandahåller en smart och effektiv rengöringslösning för heltäckningsmattor. Maskinen är avsedd för kommersiell användning, på hotell, skolor, sjukhus, fabriker, affärer, kontor och uthyrningsföretag. Den är konstruerad för användning i en inomhusmiljö. Syftet med denna handbok är att ge användaren nödvändig information för att kunna använda maskinen korrekt och säkert. Läs igenom den noggrant innan du utför något arbete eller underhåll.



### Viktiga säkerhetsinstruktioner

Maskinen behöver jordas under drift. För att minska risken för brand, elstöt eller skada, var uppmärksam på dessa viktiga varningar. Att inte följa dessa säkerhetsanvisningar kan leda till skador på maskinen, skador på egendom eller kroppsskada.

- 1) Använd endast den här maskinen enligt beskrivningen i denna handbok. Använd den inte på sätt som den inte var avsedd för. Använd endast tillverkarens rekommenderade tillbehör.
- 2) Lämna inte maskinen oövervakad när den är inkopplad. Stäng av alla strömbrytare och koppla ur strömkablar när den inte används och före service.
- 3) Redskapet är inte avsedd att användas av personer (inklusive barn) med nedsatt fysisk, sensorisk eller mental förmåga, eller brist på erfarenhet och kunskap, såvida de inte har fått tillsyn eller instruktioner om användning av redskapet av en person som ansvarar för deras säkerhet.
- 4) Om inte maskinen fungerar som den borde, har blivit tappad, skadad eller lämnad utomhus, returnera den till ett servicecenter innan den används.
- 5) Undvik elstötar, hantera inte kontakten eller maskinen med blöta händer. Ta ur kontakten för att koppla ur sladden. Dra inte i sladden. För att koppla ur sladden, ta tag i kontakten. Dra inte i sladden.
- 6) Använd inte förlängningssladdar eller uttag med otillräcklig strömkapacitet. Använd

inte med skadad sladd eller kontakt. Anslut endast maskinen till ett korrekt jordat uttag. Undvik skador på sladden (stänga dörrar på sladden, dra runt skarpa kanter eller hörn, heta ytor eller köra maskinen över sladden).

- 7) Denna maskin skapar sug och innehåller en roterande borste. Håll hår, lösa kläder, fingrar och alla andra delar av kroppen borta från öppningar och rörliga delar. Sätt inte in föremål i någon av öppningarna på maskinen.
- 8) Plocka inte upp något som brinner eller ryker, som cigaretter, tändstickor eller het aska.

- 9) Använd inte maskinen för att suga upp brandfarliga eller brännbara vätskor, som bensin.
- 10) Använd inte i områden där brandfarlig och/eller explosiv ånga eller damm finns för att undvika risk för brand eller explosion. Vissa rengöringsvätskor kan producera sådana ångor. Denna maskin är inte lämplig för att plocka upp hälsofarligt damm.
- 11) Använd extra försiktighet vid rengöring av trappor.
- 12) Använd inte maskinen utomhus.
- 13) Förvara maskinen i ventilerat, torrt område.

### Uppackning

När maskinen är levererad ska du försiktigt inspektera fraktkartongen och maskinen för skador. Om skada finns, gör transportören medveten om skadan och innan du godtar varan, reservera rätten till ersättning för skadan.

Förpackningskartongen innehåller följande saker:

#### Innehåll (se F1):

- Extraktionsmaskin
- Sugmunstycke
- Borste
- 50' Strömkabel

### Maskinens identifieringsdata

Maskinens identifieringsdata

Maskinens serienummer och modellnamn är märkt på typskylten.

Denna information är även användbar när du behöver reservdelar till maskinen.

Maskinmodell.....

Maskinnummer .....

**Maskinkomponenter** (se sida 2)

- 1.aktiveringsbrytare 2.krok för elsladden
- 3.elsladd 4.handtag (rostfritt)
- 5.renvattentank 6.bakhjul 7.maskinbas
- 8.fotstöd parkeringspedal 9.justering av borstryck 10.ta av sugmunstycket 11.inlopp
- 12.kupol 13.påfyllning av vatten 14.viper logotyp 15.sugmunstycke 16.kontrollpanel
- 17.handverktyg (tillval) 18.handverktyg spraymunstycke 19.snabbkoppling för handverktyg 20.förvaring av möbelmunstycke (tillval) 21.slang för möbelmunstycke
- 22.kabelklämma 23.baspanel 24.handtagslås
- 25.slangklämma 26.tömning av vattentanken med koppling 27. indikator för vattennivå
- 28.sugslang 29.tömningsslang för smutstanken 30.snabbkoppling för tillbehör
- 31.vattenfilter 32.axel 33.fotstöd
- 34.munstycksbasen 35.sprutmunstycken
- 36.slitplatta 37.fotstöd mutter 38.maskin monteringsbult 39.borste 40.hållare för borste 41.smutstankens kupol hake 42 smutstank 43.flottör 44.flottörkåpa
- 45.skumfilter 46.skumfilter hållare
- 47.kilremskåpa

**Installation av sugmunstycket och borsten****Installation av sugmunstycket (se F2):**

- 1) Placera först maskinen upprätt på golvet.
- 2) Lyft sugmunstycksknappen
- 3) Sätt in sugmunstycket i sugslangen och montera i rätt läge.
- 4) Släpp sugmunstycksknappen.
- 5) Dra tillbaka sugmunstycket för att kontrollera att det är i låst läge, monteringen klar.

**Installation av borsten (se F3):**

- 1) Placera maskinen bakåtlutad
- 2) Montera ena sidan av den roterande borsten med lokaliseringsspåret och tryck sedan i den andra sidan.

Tips: Kläm först dit ena sidan av borsten och se till att änden med ett spår har monterats på plats och sedan skjut upp den andra sidan på plats.

- 3) Om den roterande borsten roterar

smidigt är monteringen klar.

**Hantera riktning och justering av vakuumsko/roterande borste höjdjustering med handtagets riktning (se F4)**

- 1) Redskapet kan justera höjden på handtaget enligt användarens resning eller personliga användningsvanor.
- 2) Håll handtagets justeringsknopp och rotera i motsatt riktning för att lossa handtaget.
- 3) Justera handtaget till rätt läge och dra åt knoppen.

**Justering av sugmunstycket/ borsten**

När maskinen arbetar på olika typer av mattor eller om borsten har ett visst slitage, kan användaren justera borstrycket genom att justera höjden på sugmunstycket (se F5).

- 1) Maskinens körhastighetsetikett (0 → MAX indikerar maskinens hastighet från långsam till snabb).
- 2) Borstrycketikett (- → + Indikerar att trycket på borsten ökar).
- 3) Knapp för borstrycksjustering. Stå framför maskinen och vrid båda justeringsknapparna i samma riktning för att flytta sugmunstycket upp eller ner till lämplig position.

**Kontrollpanel (se F6).**

1. Strömbrytare 2. Vattenpump brytare
3. Sugmotor brytare 4. Säkring för borstmotor 5. Säkring för sugmotor

**Maskindrift****Före arbete**

- 1) Kontrollera strömkabeln och förlängningskabeln för skador. Byt ut kabeln om skada finns.
- 2) Dammsug det område som ska rengöras för att avlägsna det mesta av det lösa skräpet innan du använder maskinen för att rengöra.

**Drift**

**Varning: Låt inte sladden komma i kontakt med den roterande borsten.**

- 1) Använd en slang eller hink, fyll upp tanken med varmt vatten. (max 120°F/50°C, kapacitet 9 Gal./35L).
- 2) Dosera rekommenderat rengöringsmedel

i renvattentanken

- 3) Anslut den medföljande elsladden till maskinen. Anslut sladden till ett jordat vägguttag.
- 4) Slå på strömbrytaren och sugmotor/pump brytaren.
- 5) För att börja rengöra, tryck på aktiveringsbrytaren på handtaget och börja arbeta med maskinen bakåt.  
(Obs: rengöringslösning sprayar bara när pump brytaren är PÅ och aktiveringsbrytaren trycks in.)
- 6) Släpp aktiveringsbrytaren för att sluta arbeta och flytta maskinen till ny position.
- 7) Tippa maskinen bakåt på transporthjulen och tryck framåt för att byta position.



#### **Rengöringstips:**

- 1) Kör över ytan som ska rengöras i överlappande banor.
- 2) Låt rengöringslösningen blötlägga i 5 till 10 minuter på tungt nedsmutsade områden och upprepa rengöring flera gånger.
- 3) Arbeta bort från strömuttaget och strömkabeln för att undvika skador på strömkabeln.
- 4) Kontrollera kontinuerligt skumuppbbyggnad i smutstanken. Använd en rekommenderad skumdämpare om nödvändigt. **(Obs: Överdriven skumuppbbyggnad aktiverar inte flottören och kan skada sugmotor.)**
- 5) Om borsten slutar snurra kan det finnas ett hinder i borsten. Koppla ur strömkabeln, kontrollera borsten och ta bort hindret.
- 6) När smutstanken är full, eller om renvattentanken är tom, måste du tömma smutstanken. (se tömma tankar)

#### **Arbete med tillbehör (Endast rekommenderade/auktoriserade delar och tillbehör ska användas).**

Ett extra tillbehör kan installeras för att rengöra klädsel och trappor samt andra svårt åtkomliga ytor.

Användning av handverktyg (se F7):

- 1) Koppla bort den normala sugslangen.
- 2) Sätt in tillbehörets sugslang istället.

- 3) Anslut tillbehörets tryckslang till snabbkopplingen på baksidan av maskinen.
- 4) Slå på strömbrytaren och sugmotor/vattenpump brytaren.
- 5) Använd spaken på handverktyget för att spraya på rengöringsmedel.
- 6) När rengöringen är avslutad, stäng av vattenpump/sugmotorns brytare och tryck sedan in avtryckaren i ca 3 sekunder för att lätta på vattentrycket innan slangen demonteras.

#### **Stäng av**

- 1) Stäng av maskinen, koppla loss och ta bort strömkabeln.
- 2) Töm och rengör smutstanken och renvattentanken. (se tömma tankar)

#### **Tömma tankar**

##### **Tömning av smutstanken (se F8):**

- 1) Flytta maskinen till en lämplig tömningsplats. (Var vänlig tänk på miljön)
- 2) Håll tömningsslangen från smutstanken över avloppet och vik den mjuka delen för att stoppa flödet innan locket tas bort. Öppna sakta den vikta delen för att tömma smutsvattnet i avloppet.
- 3) Sätt tillbaka locket på tömningsslangen och montera tillbaka slangen på maskinen.

##### **Tömning av renvattentanken (se F9):**

- 1) Flytta maskinen till en lämplig tömningsplats. (Var vänlig tänk på miljön)
- 2) Koppla loss slangkopplingen och sänk slangen för att tömma renvattentanken.
- 3) Sätt tillbaka slangkopplingen i maskinen.

#### **Maskinunderhåll**



**Varning: För att undvika risk för elstötar, kontrollera alltid att maskinen är urkopplad innan du utför underhåll eller reparationer.**

För att maskinen ska fungera bra och förlänga livslängden, vänligen utför följande underhållsförfaranden.

#### **Dagligt underhåll**

- 1) Töm och skölj smutstanken och renvattentanken.
- 2) Kontrollera snabbkopplingar och munstycken. Rengör vid behov (Obs: Använd



aldrig ett spetsigt föremål för att rengöra munstycken, skölj dem endast med varmt vatten) (se F10).

3) Ta bort flottörfiltret från smutstanken och rengör det med vatten (se F11).

4) Kontrollera påfyllningfiltret och rengör det med vatten (se F12).

5) Kontrollera vattenpumpfiltret under maskinen och rengör det med vatten (se F13).

6) Kontrollera borstar och ta bort eventuellt skräp eller mattfibrer.



**Varning: Slå av strömbrytaren och dra ur stickkontakten innan du kontrollerar borsten.**

7) Kontrollera sugmunstycket och ta bort eventuellt skräp eller mattfibrer.

8) Rengör maskinen efter användning.

9) Kontrollera strömkabeln, förlängningssladden och slangarna från skador före varje användning av maskinen.

#### **Månatligt underhåll**

1) Kontrollera borsten för eventuellt slitage. Byt ut vid behov.

2) Kontrollera slangar och tätningar för att se om det finns skador. Byt ut vid behov.

3) Kontrollera att maskinen inte har vattenläckor.

4) Kontrollera att hjulen snurrar fritt.

5) Kontrollera maskinen för lösa eller saknade muttrar, skruvar, bultar och byt vid behov.

6) Kontrollera kilremmen för eventuellt slitage. Byt ut vid behov.

#### **Montering av munstycken (se F14).**

1. munstycksbasen 2. gummitätningssring

3. Spray munstycken

Efter att munstycket har rengjorts måste munstycket monteras på basen. Montera först gummiringen till rätt läge, tryck sedan ner och rotera spraymunstycket i 90 grader, rikta munstycket i horisontell riktning, monteringen är klar.

#### **Lagring**

##### **Lagring av strömsladd**

1) Bind in strömkabeln med kabelband och häng på kroken (se F15).

2) Strömkabeln kan också lindas runt handtaget (se to F16).

##### **Lagring av maskinen**



**Obs: Töm smutstanken och renvattentanken och låt de torka innan du lagrar maskinen. Denna maskin ska endast lagras inomhus och i plusgrader. Vid transport under noll grader måste maskinen och alla dess delar vara tömda på vatten.**

1) Förvara maskinen i upprätt läge i ett torrt område och tryck ner parkeringspedalen för att hålla borsten från golvet (se F17).

2) Vik handtaget på baksidan av maskinen för att minska lagringsutrymmet (se F18).

3) Ta bort smutstankens kupol för att tillåta luftcirkulation.

#### **Kopplingschema se F19**

#### **Tekniska specifikationer se F20**

#### **Maskin materialkomposition och återvinningsbarhet se F21**

## Grundläggande problemlösning



**Notera; Koppla bort elsladden innan underhåll påbörjas.**

Om dina problem inte nämns i denna tabell eller din maskin fortfarande inte fungerar korrekt, var vänlig kontakta auktoriserad service för hjälp.

Problem	Motåtgärd
Maskinen fungerar inte alls	Anslut strömkabeln till ett jordat uttag
	Prova en annan elsladd
Sugmotorn fungerar inte	Aktivera sugmotorbrytaren på panelen
	Återställ sugmotorns skyddssäkring (brytare) på kontrollpanelen
Roterande borstmotor fungerar inte	Slå på den roterande borstmotor brytaren
	Återställ den roterande borstmotorn skyddssäkring (brytare) på kontrollpanelen
Otillräcklig sug (upptagningsprestanda)	Kontrollera smutstankens tätningssring, rengör eller byt ut vid behov
	Töm smutstanken
	Se till att sugslangen är rätt monterad
	Kontrollera sugslangen för skada, byt ut vid behov
	Sänk hastigheten på rengöringsarbetet
Ingen vattenspray från munstycket	Kontrollera vattennivå i renvattentanken
	Slå på vattenpump brytaren
	Skölj spray munstycket med varmt vatten (max 120°F/50°C)
	Rengör eller byt vattenfiltret
Den roterande borsten fungerar inte	Slå på den borstens motorbrytare
	Kontrollera kilremmen för skada, byt ut vid behov
	Kontrollera monteringen av borsten
	Kontrollera den borsten för mattfibrer, trådar eller skräp som förhindrar att borsten snurrar ordentligt.

## Förfogande:



Utrustning märkt med den överkorsade soptunnan symbolen anger att förbrukade elektriska och elektroniska produkter inte ska kasseras tillsammans med osorterat hushållsavfall. För att undvika negativa effekter på människors hälsa och miljön utrustningen måste samlas in separat på de utsedda insamlingsställen.

Användare av elektrisk och elektronisk hushållsutrustning måste använda de kommunala insamlingsystemen. Observera att kommersiellt använda elektrisk och elektronisk utrustning får inte kastas i systemen kommunala uppsamlings.

Vi kommer att vara glada att informera dig om lämpliga alternativ avfallshantering.

**Indledning:** Dette apparat giver en smart og effektiv rengøringsløsning til tæppebelagte gulve. Maskinen er beregnet til kommerciel brug for hoteller, skoler, hospitaler, fabrikker, butikker, kontorer og udlejningsvirksomheder. Den er konstrueret til brug i et indendørs miljø. Formålet med denne manual er at give operatøren de nødvendige oplysninger for at bruge maskinen korrekt og sikkert. Læs det grundigt igennem, før du udfører enhver form for betjening og vedligeholdelse.



### Vigtige sikkerhedsanvisninger

- 1) Maskinen skal være stabilt placeret under brug. For at mindske risikoen for brand, elektrisk stød eller skade skal du være opmærksom på disse vigtige advarsler. Manglende overholdelse af disse sikkerhedsanvisninger kan medføre beskadigelse af maskinen, skade på ejendom eller personskade.
- 2) Brug kun denne maskine som beskrevet i denne vejledning. Brug det ikke på måder, den ikke er beregnet til. Brug kun producentens anbefalede tilbehør.
- 3) Lad ikke maskinen stå uden opsyn, når den er tilsluttet. Sluk alle kontakter og tag stikket ud af stikkontakten, når den ikke er i brug og før service.
- 4) Apparatet er ikke beregnet til brug af personer (herunder børn) med nedsat fysisk, sensorisk eller mental kapacitet eller manglende erfaring og viden, medmindre de har fået tilsyn eller instruktion vedrørende brug af apparatet af en person, der er ansvarlig for deres sikkerhed.
- 5) Hvis maskinen ikke fungerer som den skal, er blevet tabt,, beskadiget eller efterladt udendørs, skal du returnere det til et servicecenter, inden du bruger det.
- 6) Undgå elektrisk stød, håndter ikke stikket eller maskinen med våde hænder. For at tage stikket ud af stikkontakten skal du tage fat i stikket. Træk ikke i ledningen. Brug ikke ledninger eller udgange med utilstrækkelig strømkapacitet. Brug ikke med

beskadiget ledning eller stik. Tilslut kun maskinen til en korrekt jordet stikkontakt. Undgå at beskadige ledningen (lukke dørene på ledningen, trække rundt på skarpe kanter eller hjørner, varme overflader eller føre maskinen over ledningen).

- 7) Denne maskine skaber sug og indeholder en roterende børste. Hold hår, løst tøj, fingre og alle andre dele af kroppen væk fra åbninger og bevægelige dele. Indsæt ikke noget objekt i nogen af åbningerne i maskinen.
- 8) Opsaml ikke noget, der brænder eller ryger, som cigaretter, tændstikker eller varm aske.
- 9) Brug ikke maskinen til at opsamle brændbare eller brændbare væsker, såsom benzin.
- 10) Må ikke anvendes i områder, hvor der er brandfarlig og / eller eksplosiv damp eller støv til stede for at undgå brand eller eksplosion. Nogle rengøringsvæsker kan producere sådanne dampe. Denne maskine er ikke egnet til at afhjælpe sundhedsskadelig støv.
- 11) Vær ekstra forsigtig ved rengøring på trappen.
- 12) Brug ikke maskinen udendørs.
- 13) Opbevar maskinen i det ventilerede, tørre område.

### Udpakning

Når maskinen leveres, skal du omhyggeligt inspicere forsendelseskassen og maskinen for beskadigelse. Hvis der opstår skader, gør transportøren opmærksom på skaden, og inden du accepterer varerne, forbeholder du dig ret til erstatning for skaden.

Emballagen indeholder følgende elementer: Indhold (**se F1**):

- Tæppeudtræk • Støvsuger
- Rullebørste • 50' forlængerledningskabel

### Maskinidentifikationsdata

Maskinens serienummer og modelnavn er markeret på serienummeret.

Disse oplysninger er nyttige. Brug nedenstående tabel til at skrive maskinens

identifikationsdata, når der kræves reservedele til maskinen.

Maskine model .....
Maskinens serie nummer .....

### Maskinkomponenter (se side 2)

1. Sprøjtstillingsknap 2. Strømkabelkrog 3. Strømledning 4. Håndtag (rustfrit) 5. Opløsningstank 6. Baghjul 7. Maskinens base 8. "Kickstand" pedal 9. Basishøjdejusteringsknap 10. Vakuumsknop 11. vakuumsledningindgang 12. kuppel 13. påfyldningsport 14. vipero logo 15. vakuumsko 16. betjeningspanel 17. håndværktøj (valgfrit) 18. håndværktøjssprøjtedyse 19. håndværktøjs hurtigstik 20. håndværktøjsventilhåndtag 21. Håndværktøjssugerør 22. Kabelklemme 23. Bundpanel 24. Håndtagets justeringsknap 25. Slangeklemme 26. Sigte rørkobling 27. Sigtør 28. Vakuumslange 29. Returbeholder Afløbsslange 30. Tilbehør Hurtigkobler 31. Løsningsfilter 32. aksel 33. "Kickstand" maskineholder 34. **dysebase** 35. Sprøjtedyse 36. Slidplade 37. "Kickstand" møtrik 38. Maskinsamlebolt 39. Rullebørste 40. rullebørsteholder 41. Recovery tank dome knap 42. Recovery tank 43. Float filter cover 44. Float cover 45. Skum filter 46. Float filter holder 47. V-bælte cover

### Montage af støvsuger og rullebørster

#### Støvsugerinstallation (se F2):

- 1) Først placeres maskinen oprejst på gulvet.
- 2) Løft vakuumskruen.
- 3) Sæt vakuumskoen i sugeslangen og monteringsbasis i korrekt position.
- 4) Løsn vakuumskruen.
- 5) Træk vakuumskoen tilbage, **hvis den ikke bevæger sig, er installationen færdig.**

#### Rørbørsteinstallation (se F3):

- 1) Placer maskinen i sidestilling.
- 2) Installer den ene side af rullebørsten med placeringssporet til lejestativet og tryk på den anden side på rullebørsteholderen. Tip: Klem først den ene side af børsten, og sørg for, at enden er forsynet med en rille, og installer

den anden side.

- 3) Hvis rullebørsten roterer jævnt, er installationen færdig.

#### Håndtag og justering af støvsugeresko / rullebørstehøjde Justering af håndregulering (se F4)

- 1) Apparatet kan justere håndtagets højde i henhold til brugets statur eller personlig brugsvane.
- 2) Hold håndtagets justeringsknap og drej i modsat retning for at løsne håndtaget.
- 3) Juster håndtaget til den rigtige position og stram knappen.

#### Justering af støvsugeresko / rullebørste

Når maskinen arbejder på forskellige bunker tæppe eller rullebørsten har en vis slitage, kan operatørerne øge maskinens rengøringssevne ved at justere højden af vakuumsko og rullebørste (se F5).

- 1) Maskinens kørehastighedslabel (0 → MAX indikerer maskinens hastighed fra langsom til hurtig).
- 2) Rørbørstryketiket (- → + Angiver, at trykket på børsten er stigende).
- 3) Vakuumskojusteringsknap. Hold skruen til justering af vakuumsko og drej den i samme retning, flyt vakuumskoen op eller ned til den rigtige position.

#### Kontrolpanel (se F6).

1. Strømafbrøder 2. Vandpumpekontakt 3. Vakuummotorkontakt 4. Sikring til rullebørsmotor 5. Sikring til vakuummotor

#### Maskin anvendelse

##### Før anvendelse

- 1) Undersøg strømkabel og forlængerledning for beskadigelse. Udskift kabel, hvis der opdages skade.
- 2) Støvsug det område, der skal rengøres, for at fjerne det meste af det faste affald, inden du bruger maskinen til at rengøre.

#### Anvendelse



**Advarsel: Lad ikke ledningen komme i kontakt med de roterende børster.**

- 1) Brug en slange eller spand, fyld opløsningstanken med varmt vand. (maks. 120 ° F / 50 ° C, kapacitet 9 Gal./35L).

- 2) Tilsæt forhandler anbefalet rengøringsmiddel.
- 3) Tilslut det medfølgende forlængerledningskabel til maskinen. Sæt ledningen i en jordet stikkontakt.
- 4) Tænd for strømkontakten og vakuum / pumpeomskifteren.
- 5) For at starte rengøring skal du trykke på tændingsmodusomskifteren og begynde at trække maskinen baglæns. (Bemærk: Apparatet sprøjter kun, når pumpeafbryderen er tændt, og sprøjtemodusomskifteren trykkes.)
- 6) Slip sprøjteknappen for enden af stien og fortsæt med at trække maskinen tilbage for at afhente overflødig opløsning.
- 7) Tip maskinen tilbage på transporthjulene og skub fremad for at starte den næste vej.



#### **Rengøringstips:**

- 1) Kør over overfladen, der skal rengøres i overlappende stier.
- 2) Lad vaskemiddelopløsningen sive i 5 til 10 minutter på stærkt snavsede områder og gentag rengøring flere gange.
- 3) Arbejd væk fra stikkontakten og strømkablet for at undgå beskadigelse af strømkablet.
- 4) Kontroller løbende for skumopbygning i genvindingstanken. Brug en forhandler anbefalet skum kontrol løsning. **(Bemærk: Overskydende skumopbygning aktiverer ikke flydemæssig afbrydelse og kan forårsage beskadigelse af vakuummotoren.)**
- 5) Hvis børsten holder op med at rotere, kan der være en hindring i børsten. Tag stikket ud af stikkontakten, kontroller børsten og fjern hindringen.
- 6) Når genindvindingsbeholderen er fyldt, eller hvis opløsningstanken er tom, skal du dræne nyttiggørelsestanken. (se afløbsreservoir)

**Betjening med tilbehørsværktøjer (Kun anbefalede / autoriserede dele og tilbehør skal anvendes).**

Et ekstra håndværktøj tilhører kan fastgøres til rengøring af polstring og trapper.

**Betjening med håndværktøj (se F7):**

- 1) Afbryd den normale vakuumslange ud af kuplen.
- 2) Sæt den tilsluttede vakuumslange ind i kuplen i stedet for den normale vakuumslange.
- 3) Tilslut hurtigstikket til tilbehør til hurtigkobleren på bagsiden af maskinen.
- 4) Tænd for strømkontakten og vakuummotor / vandpumpekontakten.
- 5) Brug håndtaget på håndværktøjet til at sprøjte på vaskemiddelopløsning.
- 6) Når rengøringen er afsluttet, skal du slukke for vandpumpe / vakuummotorens omskifter og derefter klemme udløseren 3 sekunder for at lette vandtrykket fra løsningslinjer.

#### **Lukke ned**

- 1) Sluk for maskinen, tag stikket ud og tag netledningen ud.
- 2) Tøm opsamlingsstanken og opløsningstanken. (se Draining tanks)

#### **Tømning af tanke**

#### **Tømning af aftapningstank (se F8):**

- 1) Flyt maskinen til en passende afløbsstation. (Vær opmærksom på miljøet)
- 2) Hold afløbslangen til genopvarmningstanken og sænk den over afløbet. Åbn afløbslangehætten til udluftningstankdræning.
- 3) Udskift afløbslangen tilbage på maskinen.

#### **Tømning af afløbsopløsningstank (se F9):**

- 1) Flyt maskinen til en passende afløbsstation. (Vær opmærksom på miljøet)
- 2) Afbryd slangekoblingen og sænk slangen til afløb af opløsningstanken.
- 3) Tilslut slangekoblingen på maskinen igen.

#### **Maskinvedligeholdelse**



**Advarsel: For at undgå risiko for elektrisk stød skal du altid sikre, at maskinen er trukket ud, før du udfører vedligeholdelse eller reparation.**

For at maskinen fortsætter med at fungere optimalt og for at forlænge levetiden, skal

du udføre følgende vedligeholdelsesprocedurer.

### Daglig vedligeholdelse

- 1) Afløb og skylle opsamlingstanken og tanken.
- 2) Kontroller hurtigkoblere og dyser. Rengør om nødvendigt (Bemærk: Brug aldrig en spids genstand til at rengøre dyser, skyl dem kun med varmt vand) (se F10).
- 3) Fjern flydefilteret fra genopvarmningstanken og rengør det med vand (se F11).
- 4) Kontroller påfyldningsportfilteret og rengør det med vand (se F12).

- 5) Kontrollér vandpumpefilteret under maskinen og rengør det med vand (se F13).
- 6) Kontroller rullebørste og fjern eventuelle skrald eller tæppefibre.



**Advarsel: Sluk for strømkontakten og tag stikket ud, før du kontrollerer rullebørsten.**

- 6) Kontroller vakuumsko og fjern eventuelle rester af snavs eller tæpper.
- 7) Rengør maskinen med en klud efter brug.
- 8) Kontroller strømkablet, forlængerledningen og slangerne for beskadigelse, før hver brug af maskinen.

### Månedlig vedligeholdelse

- 1) Kontroller rullebørsten for enhver slitage. Udskift om nødvendigt.
- 2) Kontroller slanger og segl for at se om der er skader. Udskift om nødvendigt.
- 3) Kontrollér maskinen for vandlækage.
- 4) Smør hjulene.
- 5) Kontroller maskinen for løse eller manglende møtrikker, skruer, bolte og udskift om nødvendigt.
- 6) Kontroller kilremmen for slitage. Udskift om nødvendigt.

### Dyseinstallation (se F14).

1. Dysebund
2. Gummipakningring
3. Spray tip dyse

Når dysen er rengjort, skal dysen installeres på bunden. Først skal du installere gummiringen til den rigtige position, tryk

derefter ned og drej dysen i 90 grader, og juster dysen i vandret retning. Installationen er færdig.

### Opbevaring

#### Netledningsledning

- 1) Bind netledningen ved hjælp af kabelbånd og opbevar på netledningskrogen (se F15).
- 2) Netledningen kan også vikles rundt på håndtaget (se F16).

#### Maskinopbevaring



**Bemærk: Tøm opsamlingstanken og opløsningsstanken før opbevaring af maskinen for at holde tanken frisk, og i tilfælde af frysetemperaturer. Denne maskine skal kun opbevares indendørs.**

- 1) Opbevar maskinen i opretstående stilling i et tørt område, og tryk pedalen for at holde rullebørsten væk fra gulvet (se F17).
- 2) Fold håndtaget bag på maskinen for at reducere lagerpladsen (se F18).
- 3) Fjern genvindingsbeholderkupolen for at tillade luftcirkulation.

#### Garanti

Dette produkt er designet til at give problemfri drift i en årrække med den korrekte vedligeholdelse. Maskinen leveres med en 24 måneders garanti for komponentfejl. I det usandsynligt tilfælde, at dit produkt udvikler en fejl, bedes du kontakte købsstedet eller dit nærmeste kundeservicecenter.

Garantien dækker ikke:

- 1) Forkert eller ukorrekt betjening af maskinen.
- 2) Dele beskadiget ved ukorrekt brug eller forsømmelse.
- 3) Beskadigelse af maskinkonstruktionen på grund af ukorrekt brug eller forsømmelse.

#### Ledningsdiagram henviser til F19

#### Tekniske specifikationer henviser til F20

#### Maskinkomposition og genanvendelighed refererer til F21

## Grundlæggende fejlfinding



**Varsel: Tag stikket ud af stikkontakten, inden der udføres vedligeholdelse.**

Hvis dine problemer ikke er nævnt i denne tabel, eller hvis din maskine stadig ikke fungerer korrekt, bedes du kontakte en autoriseret kundeservice person for at få hjælp.

Problem	Modforanstaltning
Maskinen virker slet ikke	Sæt netledningen i en jordet stikkontakt
	Prøv en udskiftnings forlængerledning
Vakuummotor fungerer ikke	Tænd for vakuumkontakten
	Nulstil vakuumbeskyttelsessikringen (Circuit Breaker) på kontrolpanelet
Rørbørste motor virker ikke	Tænd for rullebørste motoromskifteren
	Nulstil sikring af røntgenbørste motorbeskyttelse (strømafbyrder) på kontrolpanelet
Utilstrækkelig vakuum ydeevne	Kontroller beholderens tætningsring, rengør eller udskift det om nødvendigt
	Tøm recovery tanken
	Sørg for, at vakuumslangen er indsat korrekt
	Kontroller vakuumslangen, hvis der opstår skader, udskift det om nødvendigt
Ingen vandspray fra dysen	Sænk rengøringen
	Fyld opløsningsstanken igen
	Tænd vandpumpekontakten
	Skyl dysen med varmt vand (maks. 120 ° F / 50 ° C)
Rørbørste virker ikke	Rengør eller udskift opløsningsfilter i bunden af maskinen
	Tænd for motorbørstning med rullebørste
	Kontroller kileremmen, hvis der opstår skader, udskift det om nødvendigt
	Kontrollér samlingen af rullebørste
	Kontroller rullebørsten for tæppefibre, tråde eller snavs, der forhindrer børsten i at dreje ordentligt.

## Bortskaffelse:



Udstyr mærket med en overstreget skraldespand symbol angiver, at brugt elektrisk og elektronisk udstyr ikke må bortskaffes sammen med usorteret husholdningsaffald. For at undgå negative virkninger på menneskers sundhed og miljøet udstyret skal indsamles særskilt på de udpegede indsamlingssteder. Brugere af elektrisk og elektronisk husholdningsudstyr skal bruge de kommunale indsamlingsordninger. Bemærk, at kommercielt brugt elektrisk og elektronisk udstyr, må ikke bortskaffes via kommunale indsamlingsordninger. Vi vil være glade for at informere dig om egnede bortskaffelsesmuligheder.

**Esittely:** Tämä laite tarjoaa fiksun ja tehokkaan siivousratkaisun mattopäällysteisille latioille. Kone on tarkoitettu kaupalliseen käyttöön esimerkiksi hotelleissa, kouluissa, sairaaloissa, tehtaissa, myymälöissä, toimistoissa ja vuokrauspisteissä. Se on tarkoitettu käytettäväksi sisätiloissa. Tämän oppaan tarkoituksena on tarjota käyttäjälle tarvittavat tiedot laitteen käyttämiseksi kunnolla ja turvallisesti. Lue se läpi huolella ennen sen käyttämistä tai minkäänlaisten huoltotoimenpiteiden suorittamista.



### Tärkeitä turvallisuusohjeita

Laitteen tulee olla maadoitettu toiminnassa ollessaan. Tulipalon, sähköiskun tai loukkaantumisen riskin vähentämiseksi on tärkeää kiinnittää näihin varoituksiin huomiota. Näiden turvallisuusohjeiden laiminlyönti saattaa johtaa laitteen vahingoittumiseen, rakennuksen vahingoittumiseen tai fyysiseen loukkaantumiseen.

- 1) Käytä tätä laitetta ainoastaan tässä oppaassa kuvatulla tavalla. Älä käytä sitä tavoilla, joihin sitä ei ole tarkoitettu. Käytä ainoastaan valmistajan suosittelemia lisätarvikkeita.
- 2) Älä jätä laitetta valvomatta sen ollessa kytkettynä virtalähteeseen. Kytke pois päältä kaikki katkaimet ja irrota sähköjohto silloin kun se ei ole käytössä ja ennen huoltoa.
- 3) Laitetta ei ole tarkoitettu sellaisten henkilöiden (lapset mukaan lukien) käytettäväksi, joilla on fyysisiä, aistillisia tai mielenterveydellisiä rajoitteita tai riittämättömästi kokemusta tai tietämystä, ellei heidän toimintaansa valvota tai heitä opasteta laitteen käytössä sellaisen henkilön toimesta, joka ottaa vastuun heidän turvallisuudestaan.
- 4) Mikäli laite ei toimi niin kuin sen pitäisi, se on pudonnut, vahingoittunut tai jätetty ulkotiloihin, vie se huoltopisteeseen ennen käyttöä.

5) Vältä sähköisku olemalla käsittelemättä pistoketta tai laitetta märin käsin. Tartu pistokkeeseen johdon irrottamiseksi. Älä vedä johtoa.

6) Älä käytä jatkojohtoja tai virtalähteitä, joissa on riittämätön virrankantokyky. Älä käytä vahingoittunutta johtoa tai pistoketta. Kytke laite ainoastaan oikein maadoitettuun virtalähteeseen.

Vältä vahingoittamasta johtoa (oven sulkeminen johdon päältä, johdon vetäminen terävien reunojen tai kulmien yli, kuumat pinnat tai laitteen vetäminen johdon yli).

7) Tämä laite synnyttää imua ja sisältää pyörivän harjasosan. Pidä hiukset, löysät vaatekappaleet, sormet ja kaikki muut kehonosat loitolla avoimista ja liikkuvista osista. Älä syötä mitään esinettä mihinkään koneen avoimeen osaan.

8) Älä kerää mitään sellaista, joka palaa tai savuaa, kuten tupakoita, tulitikkuja tai kuumaa tuhkaa.

9) Älä käytä laitetta kerätäksesi syttyvää tai palavaa ainetta kuten bensiiniä.

10) Älä käytä alueilla, joissa on syttyvää ja/tai räjähdysherkkää höyryä tai pölyä välttääksesi tulipalon tai räjähdyksen mahdollisuuden.

Jotkut puhdistusaineet voivat tuottaa tällaisia höyryjä. Tämä kone ei sovellu terveydelle haitallisen pölyn keräämiseen.

11) Ole erityisen varovainen portaita puhdistaessasi.

12) Älä käytä laitetta ulkotiloissa.

13) Säilytä laite ilmastoidussa, kuivassa tilassa.

### Pakkauksen poistaminen

Kun laite on toimitettu, on kuljetuspakkaus ja laite syytä tarkistaa mahdollisten vahinkojen varalta. Mikäli niissä näkyy vaurioita, ilmoita kuljetusyhtiölle vauriosta ennen tuotteen vastaanottamista ja pidä oikeus vahingonkorvauksiin.

Pakkaus sisältää seuraavat asiat:

Sisältöluettelo (**kats**o F1):

- Mattoimuri
- Suulake
- Rullaharja
- 50' jatkojohto



**Koneen tunnistetiedot**

Koneen sarjanumero ja mallin nimi ovat merkittävänä sarjanumeroetikettiin. Tämä on hyödyllistä tietoa. Käytä seuraavaa taulukkoa kirjatakseksi ylös laitteesi tunnistetiedot siltä varalta, että tarvitset siihen myöhemmin lisäosia.

Laitteen malli.....
---------------------

Laitteen sarjanumero .....
----------------------------

**Koneen osat (katso sivu 2)**

1. spray-tilan katkaisija 2. koukku virtajohtolle 3. virtajohto 4. kahvan putki (ruostumaton) 5. nestesäiliö 6. takapyörä 7. koneen pohjarunko 8. "Kickstand"-poljin 9. peruskorkeutta säätävä nappi 10. suulakkeen nappi 11. imuriletkun sisäänvalo 12. päällyskansi 13. täyttökohta 14. Viper-logo 15. suulake 16. ohjauspaneeli 17. käsityökalu (valinnainen) 18. käsityökalan spray-suulake 19. käsityökalan pikayhdistäjä 20. käsityökalan putken kahva 21. Käsityökalan imuriletku 22. kaapelipuristin 23. pohjapaneeli 24. kahvasäätönappi 25. letkupuristin 26. näköputken kytkentä 27. näköputki 28. imuriletku 29. talteenottosäiliön tyhjennysletku 30. lisävarusteiden pikaliitin 31. nestesuodatin 32. varsi 33. "Kickstand"-laitteen pidike 34. suuttimen pohja 35. spray-suutin 36. suojalevy 37. "Kickstand" - mutteri 38. mutteri koneen kokoamiseen 39. rullaharja 40. Rullaharjan pidike 41. talteenottosäiliön päällyosa 42. talteenottosäiliö 43. kelluvan suodattimen kansi 44. kelluva kansi 45. vaahtosuodatin 46. kelluvan suodattimen pidike 47. V-hihnan kansi

**Suulakkeen ja rullaharjan asentaminen Suulakkeen asentaminen (katso F2):**

- 1) Aseta laite ensin pystyasentoon lattialle.
- 2) Nosta suulakkeen nuppia.
- 3) Syötä suulake imuriletkuun oikeassa asennossa.
- 4) Vapauta suulakkeen nappi.
- 5) Nykäise suulaketta. Mikäli se ei liiku paikoiltaan, on asennus valmis.

**Rullaharjan asentaminen (katso F3):**

- 1) Aseta laite sivuasentoon.
- 2) Asenna rullaharjan toinen sivu uraa pitkin paikoilleen ja paina toiselta puolelta rullaharjan pidikettä. Vinkki: Purista harjan toista puolta ja varmista, että se on loksahnut paikoilleen. Asenna sen jälkeen toinen puoli.
- 3) Jos rullaharja pyörii sulavasti, on asennus silloin valmis.

**Kahvan suunta ja suulakkeen / rullaharjan korkeuden säätäminen Kahvan suunnan säätäminen (katso F4)**

- 1) Laitteen kahvan korkeutta voidaan säätää käyttäjän pitemmän tai mieltyneiden mukaisesti.
- 2) Pidä kahvaa säätävää nuppia ja käännä vastakkaiseen nsuuntaan kahvan vapauttamiseksi.
- 3) Säädä kahvaa sopivaan asentoon ja kiristä nappi.

**Suulakkeen/rullaharjan säätäminen** Kun laitetta käytetään erilaisilla matoilla tai jos rullaharjassa alkaa näkymään kulumisen merkkejä, voi käyttäjä parantaa laitteen suorituskehua säätämällä suulaketta ja rullaharjaa **(katso F5)**.

- 1) Koneen toimintanopeustaulu (0 → MAX) kertoo koneen toimintanopeuden hitaasta nopeaan).
- 2) Rullaharjan painetaulu (- → +) kertoo, että paine harjassa kasvaa).
- 3) Suulakkeen säätönappi.

Pidä imurin suulakkeen säätönuppia pohjassa ja käännä sitä samansuuntaisesti ja siirrä suulaketta ylös tai alas haluttuun asentoon.

**Ohjauspaneeli (katso F6).**

1. Virrankatkaisija 2. Vesipumpun katkaisija 3. Imurin moottorin katkaisija 4. Rullaharjan moottorin sulake 5. Imurin moottorin sulake

**Laitteen käyttäminen****Ennen käyttöä**

- 1) Tarkista virtajohto ja jatkojohto vaurioiden osalta. Korvaa, mikäli sellaisia löytyy.

2) Imuroi puhdistettava alue poistaaksesi valtaosan kiinteästä liasta ennen kuin käytät laitetta puhdistamiseen.

### Käyttö



**Varoitus: Älä päästä johto kosketuksiin pyörivien harjaosien kanssa.**

1) Täytä nestesäiliö kuumalla vedellä letkua tai ämpäriä käyttämällä. (enintään 120°F/50°C, tilavuus 9 Gal./35L).

2) Lisää toimittajan suosittelema pesuaine.

3) Yhdistä mukana tulle jatkojohto laitteeseen. Kytke johto kiinni maadoitettuun seinäpistorasiaan.

4) Kytke päälle virtakytkin ja imurin / pumpun katkaisija.

5) Paina spray-nappia ja ala vetää laitetta taaksepäin puhdistamisen aloittamiseksi. (Huomio: laite ruiskuttaa ainoastaan silloin kun pumpun katkaisija on PÄÄLLÄ ja spray-nappia painetaan.)

6) Vapauta spray-nappi kaistaleen lopussa ja jatka vetämällä kone takaisin ylimääräisen nesteen poistamiseksi.

7) Kallista konetta sen nostamiseksi takaisin kuljetuspyörille ja työnnä eteenpäin seuraavan kaistaleen aloittamiseksi.



### Puhdistusvinkit:

1) Liikuta puhdistettavilla pinnoilla päällekkäisin vedoin.

2) Anna puhdistusaineen teho 5-10 minuuttia erittäin likaisissa kohdissa ja toista puhdistus useamman kerran.

3) Pysy loitolla virtalähteistä ja virtajohdoista välttääksesi virtajohdolle aiheutuvaa vahinkoa.

4) Tarkista säännöllisesti vaahdon tilanne talteenottosäiliössä. Käytä toimittajan suosittelemaa ainetta vaahdon kontrolloimiseen. **(Huomio: Liiallinen vaahdo ei aktivoi kellunnan poiskytkentää ja saattaa saada aikaan vahinkoa imurin moottorissa.)**

5) Jos harja lakkaa pyörimästä, saattaa harjassa olla tukkeena jotain. Irrota

virtajohto, tarkista harja ja poista mahdollinen tukkiva esine.

6) Kun talteenottosäiliö on täynnä tai nestesäiliö on tyhjä, täytyy silloin tyhjentää talteenottosäiliö. (katso säiliön tyhjennys)

**Lisäosien työkalujen käyttäminen (Ainoastaan suositeltuja/valtuutettuja osia ja lisäosia tulee käyttää).**

Valinnainen lisätyökalu voidaan liittää verhoilun ja portaiden puhdistamista varten. Käsiyökalun käyttäminen **(katso F7):**

1) Irrota normaali imuriletku kannesta.

2) Syötä lisäletku kanteen tavallisen letkun sijaan.

3) Yhdistä lisäosan pikaliitin koneen takaosasta löytyvään liitoskohtaan.

4) Kytke päälle virtakatkaisija ja imurin moottorin / vesipumpun katkaisija.

5) Käytä käsiyökalun vipua ruiskuttaaksesi puhdistusaineen.

6) Kun puhdistus on suoritettu, käännä pois päältä vesipumpun / immuring moottori ja purista liipaisinta 3 sekunnin ajan vedenpaineen vapauttamiseksi.

### Sammuttaminen

1) Sammuta laite, irrota se virtalähteestä ja poista virtajohto.

2) Tyhjennä talteenottosäiliö ja nestesäiliö (katso Säiliöiden tyhjentäminen)

### Säiliöiden tyhjentäminen

**Talteenottosäiliön tyhjentäminen (katso F8):**

1) Siirrä laite sopivaan tyhjennyssijaintiin. (Ota ympäristö huomioon)

2) Pitele talteenottosäiliön tyhjennysletkua ja laske se tyhjennyspaikan ylle. Avaa tyhjennysletkun kansi tyhjentääksesi.

3) Aseta tyhjennysletku takaisin laitteeseen.

**Nestesäiliön tyhjentäminen (katso F9):**

1) Siirrä laite sopivaan tyhjennyssijaintiin. (Ota ympäristö huomioon)

2) Irrota letkun liitin ja laske letkua nestesäiliön tyhjentämiseksi.

3) Kytke letkun liitin jälleen kiinni laitteeseen.

### Koneen huolto



**Varoitus: Sähköiskun välttämiseksi on tärkeää aina varmistaa, että laite on irrotettu virtalähteestä ennen huolto- tai korjaustoimenpiteitä.**

Koneen toiminnan jatkumiseksi ja sen käyttöiän pidentämiseksi on hyvä suorittaa seuraavat huoltotoimenpiteet.

#### **Päivittäinen huolto**

- 1) Tyhjennä ja huuhtelee talteenottosäiliö ja nestesäiliö.
- 2) Tarkista pikaliittimet ja suuttimet. Puhdista tarvittaessa. (Huomio: Älä milloinkaan käytä terävää esinettä suuttimien puhdistamiseen, vaan huuhtelee ne kuumalla vedellä) (**katso F10**).
- 3) Irrota kellumissuodatin talteenottosäiliöstä ja puhdista se vedellä (**katso F11**).
- 4) Tarkista täyttökohdan suodatin ja puhdista se vedellä (**katso F12**).
- 5) Tarkista vesipumpun suodatin koneen alaosassa ja puhdista se vedellä (**katso F13**).
- 6) Tarkista rullaharja ja poista mahdollinen lika tai mattokuidut.



**Varoitus: Kytke pois päältä virrankatkaisija ja irrota pistoke ennen rullaharjan tarkistamista.**

- 7) Tarkista suulake ja poista mahdollinen lika ja mattokuidut.
- 8) Puhdista laite pehmeällä liinalla käytön jälkeen.
- 9) Tarkista virtajohto, jatkojohto ja letkut vaurioiden varalta ennen jokaista käyttökertaa.

#### **Kuukausittainen huolto**

- 1) Tarkista rullaharja mahdollisen kulumisen ja vaurioitumisen varalta. Vaihda uuteen tarvittaessa.
- 2) Tarkista letkut ja tiivisteet mahdollisten vaurioiden varalta. Vaihda uuteen tarvittaessa.
- 3) Tarkista laite vesivuotojen varalta.

- 4) Öljyä pyörät.
- 5) Tarkista laite lysine tai puuttuvien ruuvien, muttereiden, nappien ja muiden varalta ja vaihda uuteen tarvittaessa.
- 6) Tarkista V-hihna kulumisen ja vaurioiden varalta. Vaihda uuteen tarvittaessa.

#### **Suuttimen asentaminen (katso F14).**

1. Suuttimen runko 2. Kumitiivisterengas
  3. Spray-kärjellä varustettu suutin
- Kun suutin on puhdistettu, täytyy se asentaa runkoon. Ensin tulee asentaa kumirengas oikeaan asentoon ja painaa pohjaan ja kääntää suutinta 90 astetta siten, että se on vaaka-asennossa. Asennus on tällöin valmis.

#### **Säilytys**

##### **Virtajohtojen säilytys**

- 1) Sido virtajohto kaapelipidikkeillä ja säilytä sitä virtajohtolle tarkoitettussa koukussa (**katso F15**).
- 2) Virtajohto voidaan myös kietoa imurin putken ympärille (**katso F16**).

##### **Laitteen säilyttäminen**



**Huomio: Tyhjennä talteenottosäiliö ja nestesäiliö ennen laitteen varastointia säiliöiden kunnossa pysymiseksi ja pakkasasteiden varalta. Tätä laitetta tulee säilyttää ainoastaan sisätiloissa.**

- 1) Säilytä laitetta pystyasennossa kuivassa paikassa ja paina poljinta pitääksesi rullaharjan irti lattiasta (**katso F17**).
- 2) Taita kahva laitteentakaosaan vähentääksesi tarvittavaa varastotilaa (**katso F18**).
- 3) Poista talteenottosäiliön kansi ilman kiertämiseksi.

##### **KytKentädiagrammi katso F19**

##### **Tekniset tiedot katso F20**

##### **Laitteen materiaalit ja kierrätettävyyden katso F21**

## Perustason ongelmanratkaisu



**Huomio; Irrota pistoke virtalähteestä ennen huoltotoimenpiteiden suorittamista.**

Mikäli ongelmiasi ei ole listattu tässä taulukossa tai jos koneesi ei sittenkään toimi kunnolla, ole hyvä ja ota yhteyttä valtuutettuun asiakaspalveluun avun saamiseksi.

Ongelma	Ratkaisu
Kone ei käynnisty lainkaan	Kytke virtajohto maadoitettuun pistorasiaan
	Kokeile korvaavaa jatkojohtoa
Imurin moottori ei toimi	Kytke päälle imurin moottorin katkaisija
	Aseta imurin moottorin suojaava sulake uudelleen (katkaisija) ohjauspaneelista
Rullaharjan moottori ei toimi	Kytke rullaharjan moottorin katkaisija päälle
	Aseta rullaharjan moottorin suojaava sulake uudelleen (katkaisija) ohjauspaneelista
Imurin riittämätön suoritusteho	Tarkista uudelleen säiliön tiivisterengas ja puhdista tai vaihda se tarvittaessa
	Tyhjennä säiliö
	Varmista, että imurin letku on oikein asennettu
	Tarkista imurin letku vahingoittumisen varalta ja korvaa se tarvittaessa
Suuttimesta ei tule vettä	Hidasta puhdistustoimintoa
	Täytä nestesäiliö
	Laita vesipumpun katkaisin päälle
	Huuhtelee suutin kuumalla vedellä (enintään 120°F/50°C)
Rullaharja ei toimi	Puhdista tai vaihda nestesuodatin koneen alaosassa
	Kytke päälle rullaharjan moottorin katkaisija
	Tarkista V-hihna vahinkojen varalta ja vaihda tarvittaessa
	Varmista, että rullaharja on koottu oikein
	Tarkista rullaharja mahdollisten mattokuitujen, lankojen tai muiden roskien varalta, sillä ne saattavat estää harjaa kääntymästä oikealla tavalla

## Hävittäminen:



Jos tuotteessa on pyörillä olevan jäteastian symboli, jonka yli on piirretty rasti, tuote sisältää sellaisia sähkö- ja elektroniikkalaitteita, joita ei tule heittää pois erottamattoman talousjätteen mukana. Ihmisten terveydelle ja ympäristölle haitallisten vaikutusten välttämiseksi laitteet on kerättävä erikseen nimetyissä keräyspisteissä.

Sähköisten ja elektronisten kotitalouslaitteiden kohdalla on käytettävä kuntien keräysjärjestelmiä. Ole hyvä ja huomaa, että kaupallisesti käytettäviä sähkö- ja elektroniikkalaitteita ei saa hävittää kunnallisten keräysjärjestelmien kautta.

Ilmoitamme mielellämme sinulle sopivista hävittämisvaihtoehdoista.

**Introdução:** Este aparelho fornece uma solução de limpeza inteligente e eficiente para pisos alcatifados. A máquina destina-se a uso comercial, em hotéis, escolas, hospitais, fábricas, lojas, escritórios e empresas de aluguer. Ela foi construída para uso em ambientes internos. O objetivo deste Manual é fornecer ao operador as informações necessárias para usar a máquina de forma adequada e segura. Leia atentamente antes de realizar qualquer operação e manutenção.

### Instruções de segurança importantes

A máquina precisa de ligação à terra durante a operação. Para reduzir o risco de incêndio, choque elétrico ou feridas, preste atenção a estas instruções importantes. O não cumprimento destas instruções de segurança pode resultar em danos à máquina, danos à propriedade ou lesões corporais.

- 1) Use esta máquina somente conforme descrito neste manual. Não a use de maneiras que não foram previstas Use apenas os acessórios recomendados pelo fabricante.
- 2) Não deixe a máquina sem supervisão quando ela estiver ligada. Desligue todos os interruptores assim como o cabo elétrico quando não estiver em uso e antes de fazer manutenção.
- 3) O aparelho não se destina a ser utilizado por pessoas (incluindo crianças) com capacidades físicas, sensoriais ou mentais reduzidas ou com falta de experiência e conhecimento, a menos que tenham recebido supervisão ou instruções relativas à utilização do aparelho por uma pessoa responsável pela sua segurança.
- 4) Se a máquina não estiver a funcionar como devia, tiver caído, estiver danificada ou tenha sido deixada ao ar livre, devolva-a a um centro de serviços antes de usá-la.
- 5) Evite choque elétrico, não manuseie a ficha ou a máquina com as mãos molhadas. Para desligar o cabo, segure a ficha. Não puxe o cabo.
- 6) Não use cabos de extensão ou tomadas com capacidade de corrente inadequada. Não use com o cabo ou com a ficha danificada. Ligue a máquina somente a uma tomada com ligação à terra.

Evite danificar o cabo (fechar portas no cabo, puxar à volta das bordas ou de cantos afiados, superfícies quentes ou passar o cabo pela máquina).

- 7) Esta máquina cria sucção e contém uma escova giratória. Mantenha o cabelo, roupas soltas, dedos e todas as outras partes do corpo longe de aberturas e partes móveis. Não insira nenhum objeto em nenhuma das aberturas da máquina.
- 8) Não pegue nada que esteja a queimar ou a fumer, tais como cigarros, fósforos ou cinzas quentes.
- 9) Não use a máquina para recolher líquidos inflamáveis ou combustíveis, como gasolina.
- 10) Não use em áreas onde haja vapor ou pó inflamável e / ou explosivo para evitar a possibilidade de incêndio ou explosão. Alguns fluidos de limpeza podem produzir esses vapores. Esta máquina não é adequada para a remoção de pós perigosos para a saúde.
- 11) Tenha cuidado extra ao limpar as escadas.
- 12) Não use a máquina ao ar livre.
- 13) Guarde a máquina numa área seca e ventilada.

### Desembalar

Quando a máquina for entregue, inspecione cuidadosamente a embalagem e a máquina em relação a danos. Se houver algum dano, informe a transportadora do dano e antes de aceitar a mercadoria, reserve o direito em compensação dos danos.

A caixa de embalagem inclui os seguintes itens:

#### Conteúdo (consulte F1):

- Extrator de Carpetes
- Bocal de aspiração
- Escova giratória
- Cabo de extensão de 15 m

### Dados de identificação da máquina

O número de série da máquina e o nome do modelo estão marcados na etiqueta com número de série.

Esta informação é útil. Use a tabela a seguir para escrever os dados de identificação da máquina ao solicitar peças de reposição para a máquina.

Modelo máquina .....

Número série máquina .....

**Componentes da máquina** (consulte a página 2)

1. interruptor do modo de pulverização 2. gancho do cabo de alimentação 3. cabo de alimentação 4. tubo do punho (inoxidável) 5. tanque de solução 6. roda traseira 7. base da máquina 8. pedal "Kickstand" 9. botão de ajuste da altura da base 10. botão do bocal aspiração 11. entrada da mangueira de aspiração 12. cúpula 13. tampa de enchimento 14. logotipo viper 15. bocal aspiração 16. painel de controlo 17. ferramenta manual (opcional) 18. bocal de pulverização da ferramenta manual 19. conector rápido da ferramenta manual 20. pega da válvula da ferramenta manual 21. mangueira de aspiração da ferramenta da mão 22. abraçadeira do cabo 23. painel de base 24. botão de ajuste do punho 25. abraçadeira de mangueira 26. acoplamento do tubo de projecção 27. tubo de projecção 28. mangueira de aspiração 29. mangueira de escoamentedespejo do tanque de recuperação 30. acessório acoplagem rápida 31. filtro de solução 32. eixo 33. Suporte da máquina "Kickstand" 34. Base do bocal 35. bocal de pulverização 36. Chapa de desgaste 37. Porca "Kickstand" 38. Parafuso de montagem da máquina 39. Escova giratória 40. Suporte para escovas 41. Recipiente de recuperação para tanque 42. Tanque de recuperação 43. Tampa filtro flutuante 44. tampa flutuante 45. filtro de espuma 46. suporte do filtro flutuante 47. Cobertura da correia em V

**Instalação do bocal de aspiração e escova giratória**

**Instalação do bocal de aspiração (consulte F2):**

- 1) Primeiro, colocou a máquina na posição vertical no chão.
- 2) Levante o botão do bocal de aspiração.
- 3) Insira o bocal de aspiração na mangueira de aspiração e na base de montagem na posição correta.
- 4) Solte o botão do bocal de aspiração.
- 5) Puxe o bocal de aspiração, se ele não se mover, a instalação estará completa.

**Instalação da escova giratória (consulte F3):**

- 1) Coloque a máquina na posição lateral.
- 2) Instale um dos lados da escova com a ranhura de localização no suporte de montagem do rolamento e pressione no outro lado do suporte da escova giratória  
Dica: Aperte primeiro, aperte um lado da escova e verifique se a extremidade com a ranhura foi instalada no lugar e instale o outro lado.

- 3) Se a escova girar suavemente, a instalação estará completa.

**Ajuste da Pega direcção e bocal aspiração / Ajuste altura escova giratória** (consulte F4)

- 1) O aparelho pode ajustar a altura da pega de acordo com a estatura do utilizador ou o hábito de operação pessoal.
- 2) Segure o botão de ajuste da pega e rode no sentido oposto para soltar a pega.
- 3) Ajuste a pega para a posição apropriada e aperte o botão.

**Ajuste Bocal Aspiração /Escova Giratória**

Quando a máquina está a trabalhar em diferentes tipos de carpetes ou a escova giratória tem uma certa quantidade de desgaste, os operadores podem aumentar o desempenho de limpeza da máquina, ajustando a altura do bocal de aspiração e da escova giratória **(consulte F5)**.

- 1) Etiqueta de velocidade de funcionamento da máquina (0 → MAX indica a velocidade da máquina de lenta a rápida).
- 2) Rótulo de pressão da escova giratória (- → + Indica que a pressão na escova está a aumentar)
- 3) Botão de ajuste do bocal de aspiração. Segurando o botão de ajuste do bocal de aspiração e gire-o na mesma direcção, mova o bocal de aspiração para cima ou para baixo na posição apropriada.

**Painel de controle (consulte F6).**

1. Interruptor de alimentação 2. Interruptor da bomba de água
3. Interruptor do motor de vácuo 4. Fusível do motor da escova giratória 5. Fusível do motor de vácuo

**Operação com a máquina Antes da operação**

- 1) Inspeccione o cabo de alimentação e o cabo de extensão quanto a danos. Substitua o cabo se tem danos.
- 2) Aspire a área a ser limpa para remover a

maioria dos resíduos sólidos antes de usar a máquina para limpar.

### Operação



**Aviso: Não permita que o cabo entre em contato com as escovas giratórias**

- 1) Usando uma mangueira ou balde, encha o tanque de solução com água quente. (max. 120 ° F / 50 ° C, capacidade 9 Gal./35 L).
- 2) Adicione detergente recomendado pelo fabricante.
- 3) Ligue o cabo de extensão fornecido à máquina. Ligue o cabo a uma tomada com terra.
- 4) Ligue o interruptor de alimentação e o interruptor de vácuo / bomba.
- 5) Para iniciar a limpeza, pressione o interruptor do modo de pulverização e comece a puxar a máquina para trás. (Nota: o aparelho só irá pulverizar quando o interruptor da bomba estiver LIGADO e o interruptor do modo de pulverização for pressionado.)
- 6) Solte o botão de pulverização no final do caminho e continue a puxar a máquina para trás para recolher o excesso de solução.
- 7) Incline a máquina de volta para as rodas de transporte e empurre para frente para continuar a aspirar.



**Dicas de limpeza:**

- 1) Opere na superfície a ser limpa em caminhos sobrepostos.
- 2) Deixe a solução de detergente de molho por 5 a 10 minutos em áreas muito sujas e repita a limpeza várias vezes.
- 3) Trabalhe longe da tomada e do cabo de alimentação para evitar danos ao cabo de alimentação.
- 4) Verifique continuamente a acumulação de espuma no tanque de recolha. Use uma solução de controle de espuma recomendada pelo fabricante. **(Nota: A acumulação excessiva de espuma não permitirá a ativação do flutuador e poderá causar danos ao motor a vácuo).**
- 5) Se a escova parar de girar, pode haver uma obstrução na escova. Desligue o cabo de alimentação, verifique a escova e remova a obstrução.
- 6) Quando o tanque de recolha estiver cheio

ou o tanque de solução está vazio, você deve drenar o tanque de recolha (consulte o reservatório de drenagem)

**Operação com ferramentas acessórios (só devem ser utilizadas peças e acessórios recomendados / autorizados).**

Uma ferramenta manual opcional pode ser anexada para limpar estofos e escadas.

Operação com ferramenta manual **(consulte F7):**

- 1) Desligue a mangueira de vácuo normal da cúpula.
- 2) Insira a mangueira de vácuo do acessório manual na cúpula em vez da mangueira de vácuo normal.
- 3) Ligue o acessório de acoplamento rápido ao acoplador rápido localizado na parte traseira da máquina.
- 4) Ligue o interruptor de alimentação e o interruptor da bomba de água / motor a vácuo.
- 5) Use a alavanca na ferramenta manual para pulverizar a solução detergente.
- 6) Quando a limpeza estiver concluída, desligue o interruptor do motor da bomba de água / vácuo e aperte o botão por 3 segundos para aliviar a pressão da água das linhas de solução.

**Desligar**

- 1) Desligue a máquina, desconecte e remova o cabo de alimentação.
- 2) Esvazie o tanque de recolha e o tanque de solução. (consulte Drenagem de tanques)

**Drenagem tanques**

**Drenagem tanque de recolha (consulte F8):**

- 1) Mova a máquina para um local apropriado de drenagem. (Por favor, tenha em conta o meio ambiente)
- 2) Segure a mangueira de drenagem do tanque de recolha e baixe-a sobre o dreno. Abra a tampa da mangueira de drenagem para a drenagem do tanque de recolha.
- 3) Coloque a mangueira de drenagem de volta para a máquina.

**Drenagem tanque de solução (consulte F9):**

- 1) Mova a máquina para um local apropriado de drenagem. (Por favor, tenha em conta o meio ambiente)
- 2) Remova o acoplamento da mangueira e baixe a mangueira para a drenagem do tanque de solução.

3) Ligue o acoplamento da mangueira novamente na máquina.

#### Manutenção da máquina



**Aviso: Para evitar o risco de choque elétrico por favor, confirme sempre que a máquina está desligada antes de realizar qualquer manutenção ou reparação.**

Para manter a máquina com bom desempenho e prolongar a sua vida útil, execute os seguintes procedimentos de manutenção.

#### Manutenção diária

- 1) Escorra e enxague o tanque de recolha e o tanque de solução.
- 2) Verifique os acopladores rápidos e bocals. Limpe se necessário (Nota: Nunca use um objeto pontiagudo para limpar os bocals, enxague apenas com água quente) **(consulte F10)**.
- 3) Remova o filtro flutuante do tanque de recolha e limpe-o com água **(consulte F11)**.
- 4) Verifique o filtro da tampa de enchimento e limpe-o com água **(consulte F12)**.
- 5) Verifique o filtro da bomba de água abaixo da máquina e limpe-o com água **(consulte F13)**.
- 6) Verifique a escova giratória e remova quaisquer detritos ou fibras de carpete.



**Aviso: Desligue o interruptor de energia e desligue a ficha da tomada antes de verificar a escova giratória.**

- 7) Verifique o bocal de aspiração e remova quaisquer detritos ou fibras de carpete.
- 8) Limpar a máquina com um pano macio após o uso.
- 9) Verifique o cabo de alimentação, o cabo de extensão e as mangueiras quanto a danos antes de cada utilização da máquina.

#### Manutenção mensal

- 1) Verifique a escova de giratória por qualquer desgaste. Substitua se necessário.
- 2) Verifique as mangueiras e vedações para ver se há danos. Substitua se necessário.
- 3) Verifique a máquina quanto a fugas de água.

4) Lubrifique as rodas.

5) Verifique a máquina quanto a porcas, parafusos soltos ou em falta, e substitua, se necessário.

6) Verifique a correia trapezoidal por qualquer desgaste. Substitua se necessário.

#### Instalação do bocal (consulte F14).

1. base do bocal
  2. anel de vedação de borracha
  3. bocal de ponta de pulverização
- Depois do bocal estar limpo, o bocal precisa de ser instalado na base. Instale primeiro o anel de borracha na posição correta, depois pressione e gire o bocal por 90 graus, quando alinhar o bocal na direção horizontal, a instalação está completa.

#### Armazenamento

##### Armazenamento de cabo de alimentação

- 1) Prenda o cabo de alimentação com abraçadeiras e armazene-o no gancho do cabo de alimentação **(consulte F15)**.
- 2) O cabo de alimentação também pode ser enrolado em volta do tubo do cabo **(consulte F16)**.

##### Armazenamento da máquina



**Nota: Esvazie o tanque de recolha e o tanque de solução antes de armazenar a máquina para manter os tanques limpos e em caso de temperaturas que possam levar ao congelamento. Esta máquina deve ser armazenada somente em ambientes internos.**

- 1) Guarde a máquina numa posição vertical numa área seca e pressione o pedal para levantar a escova giratória no do chão **(consulte F17)**.
- 2) Dobre a pega na parte traseira da máquina para reduzir o espaço de armazenamento **(consulte F18)**.
- 3) Remova a cúpula do tanque de recolha para permitir a circulação de ar.

##### Diagrama de cablagem consulte F19

##### Especificações técnicas consulte F20

##### Composição do material da máquina e reciclabilidade consulte F21



### Resolução básica de problemas

**⚠️ Aviso prévio; Desligue a ficha da tomada antes de realizar qualquer manutenção.**

Se seus problemas não forem mencionados nesta tabela ou se sua máquina ainda não funcionar corretamente, entre em contato com o serviço de atendimento ao cliente para obter ajuda.

Problema	Contramedida
A máquina não funciona	Ligue o cabo de alimentação a uma tomada com terra
	Tente com um cabo de extensão de alimentação de substituição
Motor a vácuo não funciona	Ligue o interruptor do motor de vácuo
	Reinicialize o fusível de proteção do motor a vácuo (disjuntor) no painel de controle
Motor da escova giratória não funciona	Ligue o interruptor do motor da escova giratória
	Reponha o fusível de proteção do motor da escova giratória (disjuntor) no painel de controle
Desempenho a vácuo insuficiente	Verifique junta de vedação do tanque de recolha limpe-o ou substitua-o se necessário
	Drene o tanque de recolha
	Certifique-se de que a mangueira de vácuo está inserida corretamente
	Verifique a mangueira de vácuo se houver algum dano, substitua-a se necessário
Não há spray de água no bocal	Reduza a operação de limpeza
	Volte a encher o tanque de solução
	Ligue o interruptor da bomba de água
	Lave o bocal com água quente (máx. 120 ° F / 50 ° C)
Escova giratória não funciona	Limpe ou substitua o filtro de solução na parte inferior da máquina
	Ligue o interruptor do motor da escova giratória
	Verifique a correia trapezoidal se houver algum dano, substitua-a se necessário
	Verifique a montagem da escova giratória
	Verifique a escova giratória quanto a fibras, fios ou detritos de carpete que estão impedindo a escova girar corretamente.

### Eliminação:



Equipamentos marcados com o símbolo de contentor cruzado indica que os equipamentos eléctricos e electrónicos utilizados não devem ser eliminados juntamente com o lixo doméstico não separado. Para evitar efeitos negativos na saúde humana e no meio ambiente, o equipamento deve ser recolhido separadamente nos pontos de recolha designados.

Os utilizadores de equipamentos eléctricos e electrónicos domésticos devem utilizar os sistemas de recolha municipais. Note que os equipamentos eléctricos e electrónicos utilizados comercialmente não devem ser eliminados

por meio de esquemas de recolha municipais. Teremos o maior prazer em informá-lo sobre as opções de eliminação adequadas.

**Εισαγωγή:** Αυτή η συσκευή παρέχει έξυπνη και αποτελεσματική λύση καθαρισμού για δάπεδα με μοκέτα. Η μηχανή προορίζεται για εμπορική χρήση σε ξενοδοχεία, σχολεία, νοσοκομεία, εργοστάσια, καταστήματα, γραφεία και επιχειρήσεις ενοικίασης. Είναι κατασκευασμένη για χρήση σε εσωτερικό χώρο. Σκοπός του παρόντος εγχειριδίου είναι να παρέχει στον χειριστή τις απαραίτητες πληροφορίες για τη σωστή και ασφαλή χρήση της συσκευής. Διαβάστε προσεκτικά πριν εκτελέσετε οποιαδήποτε λειτουργία και συντήρηση.

### ΟΔΗΓΙΕΣ ΧΡΗΣΗΣ ΑΣΦΑΛΕΙΑΣ

Το μηχάνημα πρέπει να είναι γειωμένο κατά τη διάρκεια της λειτουργίας. Για να μειώσετε τον κίνδυνο πυρκαγιάς, ηλεκτροπληξίας ή τραυματισμού, δώστε ιδιαίτερη προσοχή σε αυτές τις σημαντικές προειδοποιήσεις. Εάν δεν τηρήσετε αυτές τις οδηγίες ασφαλείας, ενδέχεται να προκληθεί ζημιά στη συσκευή, σε περιουσία ή και σωματική βλάβη.

- 1) Χρησιμοποιείτε αυτή τη συσκευή μόνο όπως περιγράφεται σε αυτό το εγχειρίδιο. Μην τη χρησιμοποιείτε με τρόπους που δεν προορίζονται. Χρησιμοποιείτε μόνο τα εξαρτήματα που συνιστώνται από τον κατασκευαστή.
- 2) Μην αφήνετε τη συσκευή μόνη της όταν είναι συνδεδεμένη. Απενεργοποιήστε όλους τους διακόπτες και αποσυνδέστε το ηλεκτρικό καλώδιο όταν δεν το χρησιμοποιείτε και προτού το επισκευάσετε.
- 3) Η συσκευή δεν προορίζεται για χρήση από άτομα (συμπεριλαμβανομένων και παιδιών) με μειωμένες σωματικές, αισθητηριακές ή διανοητικές ικανότητες ή έλλειψη εμπειρίας και γνώσης, εκτός εάν επιβλέπονται ή έχουν πάρει οδηγίες σχετικά με τη χρήση της συσκευής από άτομο υπεύθυνο για την ασφάλεια τους.
- 4) Εάν το μηχάνημα δεν λειτουργεί όπως πρέπει, έχει πέσει, έχει υποστεί ζημιά ή έχει μείνει έξω, επιστρέψτε το σε κέντρο εξυπηρέτησης πριν το χρησιμοποιήσετε.

5) Για να αποφύγετε την ηλεκτροπληξία, μην χειρίζεστε το βύσμα ή το μηχάνημα με βρεγμένα χέρια. Για να αποσυνδέσετε το καλώδιο, πιάστε την πρίζα. Μην τραβάτε το καλώδιο.

6) Μην χρησιμοποιείτε καλώδια επέκτασης ή πρίζες με ανεπαρκή ικανότητα μεταφοράς ρεύματος. Μην χρησιμοποιείτε με φθαρμένο καλώδιο ή βύσμα. Συνδέστε τη συσκευή μόνο σε μια κατάλληλα γειωμένη πρίζα.

7) Αυτή η συσκευή δημιουργεί αναρρόφηση και περιέχει περιστρεφόμενη βούρτσα. Κρατήστε τα μαλλιά, τα χαλαρά ρούχα, τα δάχτυλα και όλα τα άλλα μέρη του σώματος μακριά από τα ανοίγματα και τα κινούμενα μέρη. Μην εισάγετε κανένα αντικείμενο σε κανένα από τα ανοίγματα της συσκευής.

8) Μην χρησιμοποιείται τη συσκευή για να μαζέψετε στιδίο που καίει ή ξεκαπνίζει, όπως τσιγάρα, σπύρα ή ζεστή στάχτη.

9) Μην χρησιμοποιείτε τη συσκευή για τη συλλογή εύφλεκτων υγρών, όπως βενζίνη.

10) Μην χρησιμοποιείτε σε περιοχές όπου υπάρχουν εύφλεκτοι ή / και εκρηκτικοί ατμοί ή σκόνη για να αποφύγετε την πιθανότητα πυρκαγιάς ή έκρηξης. Κάποια υγρά καθαρισμού μπορούν να παράγουν τέτοιους ατμούς. Αυτό το μηχάνημα δεν είναι κατάλληλο για να μαζεύει σκόνη που θέτει σε κίνδυνο τη υγεία.

11) Να είστε περισσότερο προσεκτικοί όταν καθαρίζετε τις σκάλες.

12) Μην χρησιμοποιείτε τη συσκευή σε εξωτερικούς χώρους.

13) Φυλάσσετε τη συσκευή σε αεριζόμενο, ξηρό χώρο.

### **Αποσυσκευασία**

Όταν παραδίδεται η συσκευή, ελέγξτε προσεκτικά το κιβώτιο αποστολής και τη συσκευή για τυχόν ζημιές. Σε περίπτωση οποιασδήποτε ζημίας, ενημερώστε τον μεταφορέα σχετικά με τη ζημία πριν δεχτείτε τα προϊόντα και επιφυλάξτε το δικαίωμα αποζημίωσης για τη ζημία.

Το χαρτοκιβώτιο συσκευασίας περιλαμβάνει τα ακόλουθα στοιχεία:

**Περιεχόμενα (ανατρέξτε στο F1):**

- Συσκευή καθαρισμού μοκέτας • Καπάκι ράβδου απορρόφησης • Βούρτσα κυλίνδρου
- Καλώδιο επέκτασης 50'

**Στοιχεία αναγνώρισης μηχανής**

Ο σειριακός αριθμός της συσκευής και το όνομα του μοντέλου σημειώνονται στη σειριακή ετικέτα.

Αυτές οι πληροφορίες είναι χρήσιμες.

Χρησιμοποιήστε τον παρακάτω πίνακα για να γράψετε τα δεδομένα αναγνώρισης της συσκευής όταν απαιτούνται ανταλλακτικά για τη συσκευή.

Μοντέλο συσκευής.....
-----------------------

Σειριακός αριθμός συσκευής .....
----------------------------------

**Στοιχεία χειρισμού (ανατρέξτε στη σελίδα 2)**

1. διακόπτης λειτουργίας ψεκασμού
2. άγκιστρο καλωδίου τροφοδοσίας
3. καλώδιο τροφοδοσίας
4. σωλήνας χειρολαβής (ανοξείδωτος)
5. δοχείο διαλύματος
6. πίσω τροχός
7. βάση μηχανήματος
8. Πέλημα "Kickstand"
9. κουμπί ρύθμισης ύψους βάσης
10. κουμπιά ρύθμισης ράβδου αναρρόφησης
11. είσοδος σωλήνα αναρρόφησης
12. θόλος
13. εισαγωγή γεμίσματος
14. λογότυπο Viper
15. καπάκι ράβδου απορρόφησης
16. πίνακας ελέγχου
17. εργαλείο χειρός (προαιρετικό)
18. ακροφύσιο ψεκασμού (χειρός)
19. γρήγορος σύνδεσμος εργαλείου χειρός
20. λαβή βαλβίδας (χειρός)
21. σωλήνας αναρρόφησης (χειρός)
22. σφικτήρας καλωδίου
23. πλαίσιο βάσης
24. ρύθμιση λαβής
25. σφικτήρας σωλήνα
26. σύζευξη σωλήνα όρασης
27. σωλήνας ορατότητας
28. εύκαμπτος σωλήνας αναρρόφησης
29. σωλήνας αποστράγγισης δεξαμενής ανάσυρσης
30. βοηθητικός ταχείας σύζευξης
31. φίλτρο διαλύματος
32. άξονας
33. Βάση μηχανής "Kickstand"
34. βάση ακροφυσίου
35. ακροφύσιο ψεκασμού
36. πλάκα φθοράς
37. Παξιμάδι "Kickstand"
38. κοχλίας συναρμολόγησης μηχανήματος
39. κυλινδρική βούρτσα
40. συγκρατητήρας κυλινδρικής βούρτσας
41. άγκιστρο θόλου δεξαμενής ανάκτησης
42. δεξαμενή

43. κάλυμμα φίλτρου επίπλευσης
44. κάλυμμα πλωτήρα
45. φίλτρο αφρού
46. συγκρατητήρας φίλτρου πλωτήρα
- 47.

Κάλυμμα ιμάντα

**Εγκατάσταση ράβδου απορρόφησης και κυλινδρικής βούρτσας****Εγκατάσταση καπακιού ράβδου απορρόφησης (ανατρέξτε στο F2)**

- 1) Πρώτα τοποθετήστε το μηχανήμα σε όρθια θέση στο πάτωμα.
- 2) Ανασηκώστε το κουμπί ρύθμισης του καπακιού του ράβδου απορρόφησης
- 3) Τοποθετήστε το καπάκι στον εύκαμπτο σωλήνα απορρόφησης και τη βάση τοποθέτησης στη σωστή θέση.
- 4) Αφήστε ελεύθερο το κουμπί καπακιού του ράβδου απορρόφησης.
- 5) Τραβήξτε το καπάκι ράβδου απορρόφησης και αν δεν μετακινηθεί τότε η εγκατάσταση ολοκληρώθηκε.

**Εγκατάσταση βούρτσας (ανατρέξτε στο F3):**

- 1) Τοποθετήστε τη συσκευή σε πλάγια θέση.
- 2) Τοποθετήστε τη μία πλευρά της κυλινδρικής βούρτσας με την υποδοχή τοποθέτησης στη ράβδο στερέωσης και στη συνέχεια πιέστε στην άλλη πλευρά για να τραβήξετε την υποδοχή της βούρτσας.  
Συμβουλή: Πρώτα, πιέστε τη μία πλευρά της βούρτσας και βεβαιωθείτε ότι το άκρο με μια αυλάκωση έχει τοποθετηθεί στη θέση της και στη συνέχεια εγκαταστήστε την άλλη πλευρά.

- 3) Εάν η κυλινδρική βούρτσα περιστρέφεται ομαλά, η εγκατάσταση είναι πλήρης.

**Κατεύθυνση λαβής και ρύθμιση ύψους καπακιού και κυλινδρικής βούρτσας Ρύθμιση κατεύθυνσης χειρολαβής (ανατρέξτε στο F4)**

- 1) Το ύψος της λαβής της συσκευής μπορεί να ρυθμιστεί ανάλογα με το ύψος χρήσης ή την προσωπική συνήθεια λειτουργίας.
- 2) Κρατήστε το κουμπί ρύθμισης της λαβής και περιστρέψτε προς την αντίθετη κατεύθυνση για να χαλαρώσετε τη λαβή.
- 3) Ρυθμίστε τη λαβή στην κατάλληλη θέση και σφίξτε το κουμπί.

**Ρύθμιση κεφαλής παπουτσιού / ρολό**

Όταν η συσκευή λειτουργεί σε διαφορετικούς σωρούς χαλιών ή η κυλινδρική βούρτσα έχει κάποια φθορά, οι χειριστές μπορούν να αυξήσουν την απόδοση καθαρισμού του μηχανήματος ρυθμίζοντας το ύψος του καπακιού και της κυλινδρικής βούρτσας (**ανατρέξτε στο F5**).

- 1) Ετικέτα ταχύτητας λειτουργίας μηχανής (0 → MAX υποδεικνύει την ταχύτητα του μηχανήματος από αργή σε γρήγορη).
- 2) Ετικέτα πίεσης της κυλινδρικής βούρτσας (- → + Υποδεικνύει ότι η πίεση στη βούρτσα αυξάνεται).

3) Κουμπί ρύθμισης καπακιού.  
Κρατώντας το κουμπί ρύθμισης του καπακιού και περιστρέφοντάς το προς την ίδια κατεύθυνση, μετακινήστε το παπούτσι κενού προς τα επάνω ή προς τα κάτω στην κατάλληλη θέση.


**Πίνακας ελέγχου (ανατρέξτε στο F6).**

1. Διακόπτης τροφοδοσίας
2. Διακόπτης αντλίας νερού
3. Διακόπτης μοτέρ
4. Ασφάλεια για τον κινητήρα της κυλινδρικής βούρτσας
5. Ασφάλεια για τον κινητήρα αναρρόφησης

**Λειτουργία μηχανής****Πριν από τη λειτουργία**

- 1) Επιθεωρήστε το καλώδιο ρεύματος και το καλώδιο προέκτασης για ζημιές. Αν υπάρχει βλάβη, αντικαταστήστε το καλώδιο.
- 2) Σκουπίστε την περιοχή που πρόκειται να καθαριστεί για να αφαιρέσετε τα περισσότερα από τα στερεά υπολείμματα πριν χρησιμοποιήσετε το μηχάνημα για καθαρισμό.

**Λειτουργία**

 **Προειδοποίηση: Μην αφήνετε το καλώδιο να έρθει σε επαφή με τις περιστρεφόμενες βούρτσες.**

- 1) Χρησιμοποιώντας μάνικα ή κάδο, γεμίστε τη δοχείο διαλύματος με ζεστό νερό. (μέγιστο 120 ° F / 50 ° C, χωρητικότητα 9 Gal./35L).
- 2) Προσθέστε το συνιστώμενο απορρυπαντικό του διανομέα.

3) Συνδέστε το παρεχόμενο καλώδιο προέκτασης στο μηχάνημα. Συνδέστε το καλώδιο σε μια γειωμένη πρίζα τοίχου.

4) Ενεργοποιήστε το διακόπτη τροφοδοσίας και τον διακόπτη απορρόφησης.

5) Για να ξεκινήσετε τον καθαρισμό, πατήστε το διακόπτη λειτουργίας ψεκασμού και αρχίστε να τραβάτε τη συσκευή προς τα πίσω. (Σημείωση: η συσκευή θα ψεκάξει μόνο όταν ο διακόπτης της αντλίας είναι ON και ο διακόπτης λειτουργίας ψεκασμού είναι πατημένος.)

6) Απελευθερώστε το κουμπί ψεκασμού στο τέλος της διαδρομής και συνεχίστε να τραβάτε το μηχάνημα προς τα πίσω για να παραλάβετε την περίσσεια διαλύματος.

7) Τραβήξτε το μηχάνημα προς τα πίσω με το βάρος στους τροχούς μεταφοράς και ωθήστε προς τα εμπρός για να ξεκινήσετε την επόμενη διαδρομή

** Συμβουλές καθαρισμού:**

- 1) Περάστε την επιφάνεια που θέλετε να καθαρίσετε σε επικαλυπτόμενες διαδρομές.
- 2) Αφήστε το διάλυμα απορρυπαντικού να απορροφηθεί για 5 έως 10 λεπτά σε περιοχές με σοβαρή ρύπανση και επαναλάβετε τον καθαρισμό αρκετές φορές.
- 3) Εργαστείτε μακριά από την πρίζα και το καλώδιο τροφοδοσίας, για να αποφύγετε τη ζημιά στο καλώδιο τροφοδοσίας.
- 4) Ελέγχετε συνεχώς για τη συσσώρευση αφρού στο δοχείο ανάκτησης. Χρησιμοποιήστε διάλυμα αφρού συνιστώμενο από τον διανομέα. (**Σημείωση: Η υπερβολική συσσώρευση αφρού δεν θα ενεργοποιήσει το κλείσιμο του πλωτήρα και μπορεί να προκαλέσει βλάβη στον κινητήρα απορρόφησης.**)
- 5) Αν η βούρτσα σταματήσει να περιστρέφεται, μπορεί να υπάρχει εμπόδιο στη βούρτσα. Αποσυνδέστε το καλώδιο τροφοδοσίας, ελέγξτε τη βούρτσα και αφαιρέστε το εμπόδιο.
- 6) Όταν η δεξαμενή ανάκτησης είναι γεμάτη ή η δεξαμενή διαλύματος είναι άδεια, πρέπει να αποστραγγίσετε τη δεξαμενή

ανάκτησης. (ανατρέξτε στο δοχείο αποστράγγισης)

**Λειτουργία με αξεσουάρ (Θα πρέπει να χρησιμοποιούνται μόνο συνιστώμενα / εξουσιοδοτημένα εξαρτήματα και αξεσουάρ).**

Για καθαρισμό των ταπετσαριών και των σκαλοπατιών μπορεί να τοποθετηθεί ένα προαιρετικό χερούλι αξεσουάρ. Λειτουργία με εργαλείο χειρός **(ανατρέξτε στο F7):**

- 1) Αποσυνδέστε τον κανονικό σωλήνα αναρρόφησης από τον θόλο.
- 2) Εισαγάγετε τον εύκαμπτο σωλήνα απορρόφησης στον θόλο αντί του κανονικού εύκαμπτου σωλήνα απορρόφησης.
- 3) Συνδέστε το γρήγορο σύνδεσμο αξεσουάρ στον ταχύ σύνδεσμο που βρίσκεται στο πίσω μέρος του μηχανήματος.
- 4) Ενεργοποιήστε το διακόπτη τροφοδοσίας και τον διακόπτη απορρόφησης του κινητήρα / αντλίας νερού.
- 5) Χρησιμοποιήστε το μοχλό στο εργαλείο χειρός για να ψεκάσετε το διάλυμα απορρυπαντικού.
- 6) Όταν ολοκληρωθεί ο καθαρισμός, απενεργοποιήστε το διακόπτη της αντλίας νερού / μοτέρ απορρόφησης και, στη συνέχεια, πιέστε τη σκανδάλη για 3 δευτερόλεπτα για να ανακουφίσετε την πίεση νερού από τις τροφοδοσίες διαλύματος.

**Πώς να απενεργοποιήσετε τη συσκευή**

- 1) Απενεργοποιήστε τη συσκευή, αποσυνδέστε και αφαιρέστε το καλώδιο τροφοδοσίας.
- 2) Αδειάστε τη δεξαμενή ανάκτησης και τη δεξαμενή διαλύματος. (ανατρέξτε στις δεξαμενές αποστράγγισης)

**Αποστράγγιση δεξαμενών**

**Αποστράγγιση της δεξαμενής ανάκτησης (ανατρέξτε στο F8):**

- 1) Μετακινήστε το μηχάνημα σε κατάλληλη θέση αποστράγγισης. (Παρακαλούμε λάβετε υπόψη το περιβάλλον)
- 2) Κρατήστε τον εύκαμπτο σωλήνα αποστράγγισης για τη δεξαμενή ανάκτησης

και χαμηλώστε το πάνω από την αποστράγγιση. Ανοίξτε το κάλυμμα του σωλήνα αποστράγγισης για την αποστράγγιση της δεξαμενής ανάκτησης  
3) Επανατοποθετήστε τον εύκαμπτο σωλήνα αποστράγγισης στο μηχάνημα.

**Αποστράγγιση δεξαμενής διαλύματος (ανατρέξτε στο F9):**

- 1) Μετακινήστε το μηχάνημα σε κατάλληλη θέση αποστράγγισης. (Παρακαλούμε λάβετε υπόψη το περιβάλλον)
- 2) Αποσυνδέστε το σύνδεσμο του σωλήνα και χαμηλώστε τον εύκαμπτο σωλήνα για αποστράγγιση της δεξαμενής διαλύματος.
- 3) Συνδέστε το σύνδεσμο του εύκαμπτου σωλήνα στη συσκευή.

**Συντήρηση συσκευής**



**Προειδοποίηση: Για να αποφύγετε τον κίνδυνο ηλεκτροπληξίας, βεβαιωθείτε πάντοτε ότι το μηχάνημα αποσυνδέεται πριν εκτελέσετε οποιαδήποτε συντήρηση ή επισκευές.**

Για να διατηρήσετε τη καλή απόδοση της συσκευής και να παρατείνετε το χρόνο ζωής του, ακολουθήστε τις παρακάτω διαδικασίες συντήρησης.

**Καθημερινή συντήρηση**

- 1) Αποστραγγίστε και ξεπλύνετε τη δεξαμενή ανάκτησης και τη δεξαμενή διαλύματος.
- 2) Ελέγξτε τους συνδέσμους ταχείας σύζευξης και τα ακροφύσια. Καθαρίστε εάν απαιτείται (Σημείωση: Ποτέ μην χρησιμοποιείτε αιχμηρά αντικείμενα για των καθαρισμό ακροφυσίων, ξεπλένετε μόνο με ζεστό νερό) **(ανατρέξτε στο F10).**
- 3) Αφαιρέστε το φίλτρο πλωτήρα από τη δεξαμενή ανάκτησης και καθαρίστε το με νερό **(ανατρέξτε στο F11).**
- 4) Ελέγξτε το φίλτρο θύρας πλήρωσης και καθαρίστε το με νερό **(ανατρέξτε στο F12).**
- 5) Ελέγξτε το φίλτρο της αντλίας νερού κάτω από το μηχάνημα και καθαρίστε το με νερό **(ανατρέξτε στο F13).**
- 6) Ελέγξτε την κυλινδρική βούρσα και αφαιρέστε τυχόν συντρίμματα ή ίνες χαλιού.

**⚠ Προειδοποίηση: Απενεργοποιήστε το διακόπτη τροφοδοσίας και απουσνδέστε το φικ από την πρίζα πριν ελέγξετε την κυλινδρική βούρτσα.**

7) Ελέγξτε το καπάκι ράβδου απορρόφησης και αφαιρέστε τυχόν συντρίμματα ή ίνες χαλιών.

8) Καθαρίστε το μηχάνημα με ένα μαλακό πανί μετά τη χρήση.

9) Πριν από κάθε χρήση του μηχανήματος ελέγξτε το καλώδιο τροφοδοσίας, το καλώδιο προέκτασης και τους εύκαμπτους σωλήνες.

**Μηνιαία συντήρηση**

1) Ελέγξτε την κυλινδρική βούρτσα για οποιαδήποτε φθορά. Αν χρειάζεται, αντικαταστήστε την.

2) Ελέγξτε τους εύκαμπτους σωλήνες και τις σφραγίδες για να δείτε αν υπάρχουν ζημιές. Αν χρειάζεται, αντικαταστήστε.

3) Ελέγξτε τη συσκευή για διαρροές νερού.

4) Λιπάνετε τους τροχούς.

5) Ελέγξτε τη μηχανή για χαλαρά ή ελλείποντα παξιμάδια, βίδες και αντικαταστήστε εάν είναι απαραίτητο.

6) Ελέγξτε τον μάντα για τυχόν φθορά. Αν χρειάζεται, αντικαταστήστε.

**Εγκατάσταση ακροφυσίων (ανατρέξτε στο F14).**

1. βάση ακροφυσίου 2. δακτύλιο στεγανοποίησης ελαστικού

3. Ακροφύσιο ψεκασμού

Μετά το καθαρισμό του ακροφυσίου, το ακροφύσιο πρέπει να εγκατασταθεί στη βάση. Αρχικά, τοποθετήστε τον ελαστικό δακτύλιο στη σωστή θέση, στη συνέχεια πιέστε προς τα κάτω και περιστρέψτε το ακροφύσιο 90 μοίρες ευθυγραμμίζοντας το

σε οριζόντια κατεύθυνση και τότε η εγκατάσταση ολοκληρώθηκε.

**Αποθήκευση**

**Αποθήκευση καλωδίου ρεύματος**

1) Τυλίξτε το καλώδιο τροφοδοσίας και αποθηκεύστε το στο άγκιστρο καλωδίου τροφοδοσίας **(ανατρέξτε στο F15)**.

2) Το καλώδιο τροφοδοσίας μπορεί επίσης να περιστραφεί γύρω από το σωλήνα λαβής **(ανατρέξτε στο F16)**.

**Αποθήκευση συσκευής**

**⚠ Σημείωση: Αδειάστε τη δεξαμενή ανάκτησης και τη δεξαμενή διαλύματος πριν από την αποθήκευση του μηχανήματος για να διατηρήσετε τις δεξαμενές σε καλή κατάσταση σε περίπτωση χαμηλών θερμοκρασιών (ψήξης). Αυτό το μηχάνημα πρέπει να αποθηκεύεται μόνο σε εσωτερικούς χώρους.**

1) Αποθηκεύστε το μηχάνημα σε όρθια θέση σε στεγνή περιοχή και πιέστε το πεντάλ για να διατηρήσετε την κυλινδρική βούρτσα από το δάπεδο **(ανατρέξτε στο F17)**.

2) Αναδιπλώστε τη λαβή στο πίσω μέρος του μηχανήματος για να μειώσετε τον αποθηκευτικό χώρο **(ανατρέξτε στο F18)**.

3) Αφαιρέστε τον θόλο της δεξαμενής ανάκτησης για να επιτρέψετε την κυκλοφορία του αέρα.

**Διάγραμμα συνδεσμολογίας ανατρέξτε στο F19**

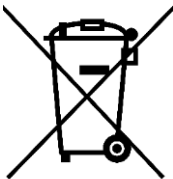
**Τεχνικές προδιαγραφές ανατρέξτε στο F20**  
**Σύνθεση και ανακυκλωσιμότητα του υλικού μηχανής ανατρέξτε στο F21**

**Βασικές λήψεις προβλημάτων**

**⚠ Ειδοποίηση; Απουσνδέστε το φικ πριν εκτελέσετε οποιαδήποτε συντήρηση.**

Εάν τα προβλήματά σας δεν αναφέρονται σε αυτόν τον πίνακα ή το μηχάνημά σας εξακολουθεί να μην λειτουργεί σωστά, επικοινωνήστε με ένα εξουσιοδοτημένο άτομο εξυπηρέτησης πελατών για βοήθεια.

Πρόβλημα	Λύσεις
Η συσκευή δεν λειτουργεί καθόλου	Συνδέστε το καλώδιο ρεύματος σε μια γειωμένη πρίζα Δοκιμάστε ένα καλώδιο τροφοδοσίας επέκτασης
Ο κινητήρας απορρόφησης δεν λειτουργεί	Ενεργοποιήστε το διακόπτη του μοτέρ απορρόφησης Επαναφέρετε την ασφάλεια του μοτέρ (διακόπτης προστασίας) στον πίνακα ελέγχου
Ο κινητήρας της κυλινδρικής βούρτσας δεν λειτουργεί	Ενεργοποιήστε το διακόπτη του μοτέρ της βούρτσας Επαναφέρετε την ασφάλεια του κινητήρα της βούρτσας (διακόπτης κυκλώματος) στον πίνακα ελέγχου
Ανεπαρκής απόδοση κενού	Ελέγξτε τον δακτύλιο στεγανοποίησης της δεξαμενής ανάκτησης, καθαρίστε το ή αντικαταστήστε το αν είναι απαραίτητο
	Αποστραγγίστε τη δεξαμενή ανάκτησης
	Βεβαιωθείτε ότι ο σωλήνας απορρόφησης είναι τοποθετημένος σωστά
	Ελέγξτε εάν υπάρχει ζημιά στον εύκαμπτο σωλήνα υποπίεσης, αντικαταστήστε τον εάν χρειάζεται Καθαρίστε σε πιο αργούς ρυθμούς
Δεν υπάρχει ψεκασμός νερού από το ακροφύσιο	Γεμίστε την δεξαμενή διαλύματος
	Ενεργοποιήστε το διακόπτη της αντλίας νερού
	Ξεπλύνετε το ακροφύσιο με ζεστό νερό (μέγιστο 120 ° F / 50 ° C) Καθαρίστε ή αντικαταστήστε το φίλτρο διαλύματος στο κάτω μέρος του μηχανήματος
Η κυλινδρική βούρτσα δεν λειτουργεί	Ενεργοποιήστε το διακόπτη του μοτέρ της βούρτσας
	Ελέγξτε εάν υπάρχει ζημιά στον μίαντα, αντικαταστήστε τον εάν χρειάζεται
	Ελέγξτε τη διάταξη της κυλινδρικής βούρτσας Ελέγξτε τη κυλινδρική βούρτσα για ίνες, σπειρώματα ή συντρίμματα χαλιών που εμποδίζουν τη σωστή στροφή της βούρτσας.

**Διάθεση:**

Εξοπλισμό που φέρει το διαγραμμένο σύμβολο τροχοφόρου κάδου υποδεικνύει ότι τα χρησιμοποιημένα ηλεκτρικά και ηλεκτρονικού εξοπλισμού δεν πρέπει να απορρίπτονται μαζί με τα συνεχόμενα οικιακά απορρίμματα. Για να αποφευχθούν οι αρνητικές επιπτώσεις στην ανθρώπινη υγεία και το περιβάλλον, ο εξοπλισμός πρέπει να συλλέγονται χωριστά σε καθορισμένα σημεία συλλογής.

Οι χρήστες ηλεκτρικού και ηλεκτρονικού εξοπλισμού οικιακής χρήσης πρέπει να χρησιμοποιούν τα συστήματα συλλογής αστικών. Παρακαλείστε να σημειώσετε ότι η χρησιμοποιούμενη στο εμπόριο ηλεκτρικών και ηλεκτρονικών συσκευών, δεν θα πρέπει να απορρίπτονται μέσω δημοτικά συστήματα συλλογής. Θα είναι στην ευχάριστη θέση να σας ενημερώσουμε σχετικά με κατάλληλες επιλογές διάθεσης.



**Giriş:** Bu cihaz halı kaplı zeminler için akıllı ve verimli bir temizleme çözümü sunmaktadır. Makine, oteller, okullar, hastaneler, fabrikalar, mağazalar, ofisler ve kiralanan işyerlerinde ticari kullanım için tasarlanmıştır. İç mekânlarda kullanılmak üzere üretilmiştir. Bu Kılavuzun amacı, Makineyi doğru ve güvenli bir şekilde kullanmak için operatöre gerekli bilgileri sağlamaktır. Herhangi bir işlem ve bakım yapmadan önce dikkatlice okuyun.

### **⚠️ Önemli Güvenlik Talimatları**

Makina işletim sırasında topraklanmalıdır. Yangın, elektrik çarpması veya yaralanma riskini azaltmak için bu önemli uyarılara dikkat edin. Bu güvenlik talimatlarına uyulmaması, makinenin zarar görmesine, mal hasarına veya bedensel yaralanmalara neden olabilir.

- 1) Bu makineyi sadece bu kılavuzda açıklandığı gibi kullanın. Kullanım amacı haricinde kullanmayın. Yalnızca üreticinin tavsiye ettiği aksesuarları kullanın.
- 2) Fişe takılıken makineyi başıboş bırakmayın. Kullanılmadığı zamanlarda ve servis işleminden önce tüm anahtarları kapatın ve elektrik kablolarını çıkarın.
- 3) Bu cihaz, cihazın güvenliğinden sorumlu bir kişi tarafından, kullanımıyla ilgili talimat verilmemiş veya denetim uygulanmadıkça, fiziksel, duyuşsal veya zihinsel yetenekleri azalmış kişiler (çocuklar da dâhil) tarafından kullanılmak üzere tasarlanmamıştır.
- 4) Makine gerektiği gibi çalışmıyorsa, düşürülmüş, hasar görmüş veya açık havada bırakılmışsa, kullanmadan önce bir servis merkezine götürün.
- 5) Elektrik çarpmasından sakının, fişi veya makineyi ıslak elle tutmayın. Kabloyu çıkarmak için fişi tutun. Kablodan çekmeyin.
- 6) Yetersiz akım taşıma kapasitesine sahip uzatma kabloları veya prizleri kullanmayın. Hasarlı kablo veya fişle makineyi kullanmayın. Makineyi sadece doğru şekilde topraklanmış bir prize bağlayın. Kabloya zarar vermektan kaçının (kablo üzerine kapların kapanması, keskin

kenarların veya köşelerin etrafından çekilmesi, sıcak yüzeyler veya kablo üzerinde makine çalışması gibi).

- 7) Bu makine emiş oluşturur ve döner bir fırça içerir. Saçları, gevşek kıyafetleri, parmakları ve vücudun diğer tüm parçalarını açıklıklardan ve hareketli parçalardan uzak tutun. Makinedeki açıklıklardan herhangi birine herhangi bir nesne sokmayın.
- 8) Sigara, kibrit ya da sıcak kül gibi yanan veya duman çıkaran hiçbir şeyi makineyle almayın.
- 9) Benzin gibi yanabilen veya patlayabilen sıvıları almak için makineyi kullanmayın.
- 10) Yangın veya Patlama ihtimalinden uzak durmak için alev alan ve/veya patlayıcı buhar veya toz içeren alanlarda kullanmayın. Bazı temizlik sıvıları bu buharları üretebilir. Bu makine, sağlığı tehdit eden tozları toplamak için uygun değildir.
- 11) Merdiven temizlerken dikkat edilmeli..... (El aparatı ile merdiven basamakları temizlenirken).
- 12) Makineyi açık havada kullanmayın.
- 13) Makineyi havalandırılmış, kuru bir alanda saklayın.

### **Ambalajdan çıkarma**

Makine teslim edildiğinde, nakliye kartonunu ve makineyi hasar açısından dikkatli bir şekilde inceleyin. Herhangi bir hasar varsa, taşıyıcıya hasardan haberdar edin ve ürünleri kabul etmeden önce, hasarı tazmin etme hakkını saklı tutunuz.

Ambalaj kartonu aşağıdakileri içerir:

#### **İçindekiler (F1'e bakın):**

- Halı Yıkama Makinası
- vakum nozulu
- Döner fırça
- 50 feet uzatma kablosu

### **Makine tanımlama verileri**

Seri numarası ve model ismi etikette belirtilmiştir.

Bu bilgi kullanışlıdır. Makine için yedek parçaya ihtiyaç duyduğunuzda makine tanımlama verilerini yazmak için aşağıdaki tabloyu kullanın.

Makine modeli .....
---------------------



Makine seri numarası .....

### **Makine bileşenleri (sayfa 2'ye bakın)**

1. Püskürtme Modu anahtarı 2. güç kablosu kancası 3. Güç kablosu 4. Tutamak (paslanmaz) 5. Solüsyon deposu 6. Arka tekerlek 7. Makine tabanı 8. "Dayanak" pedalı 9. Taban yüksekliği ayar düğmesi 10. Vakum pabucu düğmesi 11. Vakum hortumu girişi 12. Kubbe(kirli su tankı kapağı) 13. temiz su Doldurma girişi 14. Viper logosu 15. Vakum nozulu 16. Kontrol paneli 17. El aygıtı (isteğe bağlı) 18. El aparatı püskürtme nozulu 19. El aparatı bağlantı aparatı 20. El aparatı valf tutamağı 21. El aparatı vakum hortumu 22. Kablo kelepçesi 23. Taban paneli 24. Tutamak ayar düğmesi 25. Hortum kelepçesi 26. Gösterge borusu kaplini 27. Gösterge borusu 28. Vakum hortumu 29. Geri toplama kirli su tankı tahliye hortumu 30. Aksuar kaplini 31. Solüsyon filtresi 32. Şaft 33. "Dayanak" makine tutucusu 34. Nozul tabanı 35. Püskürtme nozulu 36. Aşınma plakası 37. "Dayanak" somunu 38. Makine birleştirme civatası 39. Döner rulo yıkama fırça 40. rulo yıkama fırçası Döner fırça yuvası 41. kirli su tankı kapak mandalı 42. kirli su toplama tankı 43. Şamandıra filtre kapağı 44. Şamandıra kapağı 45. Köpük filtresi 46. Şamandıra filtre tutucusu 47. V-kayış kapağı

### **Vakum pabucu ve döner fırça kurulumu**

#### **Vakum pabucu montajı (F2'e bakın):**

- 1) İlk önce, makineyi zemine dik olarak yerleştirin.
- 2) Vakum pabucu düğmesini kaldırın.
- 3) Vakum pabucunu emme hortumuna ve montaj tabanına doğru pozisyona yerleştirin.
- 4) Vakumlu pabucu düğmesini serbest bırakın.
- 5) Vakum pabucunu geri çekin, hareket etmiyorsa kurulum tamamlanmıştır.

#### **Döner fırça kurulumu (F3'e bakın):**

- 1) Makineyi yana yatırın.
- 2) Döner fırçanın bir tarafını yerleştirme kertiği ile yatak montaj şasesine takın ve diğer tarafını döner fırça tutucusuna bastırın.

İpucu: Önce, fırçanın bir tarafını sıkın ve oluklu ucunun yerine oturduğundan emin olun ve sonra diğer tarafı takın.

3) Döner fırça düzgün bir şekilde dönüyorsa, kurulum tamamlanmıştır.

#### **Tutamak yönü ve Vakum pabucu/ döner fırça yükseklik ayarı** Tutamak yönü ayarı (F4'e bakın)

- 1) Cihaz tutamağının yüksekliği, kullanıcının duruşuna veya kişisel çalışma alışkanlığına göre ayarlanabilir.
- 2) Tutamağı gevşetmek için ayar düğmesini kaldırarak ters yönde döndürün.
- 3) Kolu uygun konuma ayarlayın ve düğmeyi sıkıştırın.

#### **Vakum pabucu / döner fırça ayarı**

Makine farklı halı katlarında çalıştırılıyorsa veya döner fırçada belirli miktarda aşınma ve yıpranma varsa, operatörler, vakum pabucu ve döner fırçanın yüksekliğini ayarlayarak makinenin temizleme performansını artırabilirler (**F5'e bakın**).

- 1) Makine hız etiketi (0 → MAKS, yavaştan hızlıya makinenin hızını gösterir).
- 2) Döner fırça basınç etiketi (- → + Fırça üzerindeki basıncın arttığını gösterir).
- 3) Vakum pabucu ayar düğmesi.

Vakum pabucu ayar düğmesini basılı tutarak aynı yönde döndürün, vakum pabucu yukarı veya aşağı doğru uygun pozisyona hareket eder.

#### **Kontrol paneli (F6'e bakın).**

1. Güç anahtarı 2. Su pompası anahtarı 3. Vakum motoru anahtarı 4. Döner fırça motoru için sigorta 5. Vakum motoru için Sigorta

#### **Makine işletimi**

##### **İşletim öncesi**

- 1) Güç kablosu ve uzatma kablosundaki hasarları kontrol edin. Hasar bulunursa kabloyu değiştirin.
- 2) Makineyi temizlik için kullanmadan önce, sert katı cisimleri ortadan kaldırmak için temizlenecek alanı vakumla temizleyin.

##### **İşletim**

**⚠ Uyarı: Kordonun dönen fırçalarla temas etmesine izin vermeyin.**

- 1) Bir hortum veya kova kullanarak, solüsyon tankını sıcak suyla doldurun. (en fazla 120 ° F / 50 ° C, kapasite 9 Gal./35L).
- 2) Distribütör tarafından tavsiye edilen deterjanı kullanın.
- 3) Ürünle birlikte verilen güç uzatma kablosunu makineye bağlayın. Kabloyu topraklı bir prize takın.
- 4) Güç düğmesine ve vakum/pompa düğmesine basarak açın.
- 5) Temizlemeye başlamak için, püskürtme modu anahtarına basın ve makineyi geri doğru çekmeye başlayın. (Not: cihaz sadece pompa anahtarı AÇIK olduğunda ve püskürtme modu düğmesine basıldığında püskürtür.)
- 6) Yolun sonunda püskürtme düğmesini bırakın ve fazla solüsyonu makineye geri çekmeye devam edin.
- 7) Makineyi tekerleklerine geri eğin ve bir sonraki yola başlamak için ileri doğru itin.

**⚠ Temizlik ipuçları:**

- 1) Temizlenecek yüzey boyunca üst üste binen yollarda ilerleyin.
- 2) Çok kirli alanların deterjan solüsyonuyla 5 ila 10 dakika ıslanmasını sağlayın ve temizliği birkaç kez tekrarlayın.
- 3) Güç kablosuna zarar vermemek için elektrik prizinden ve güç kablosundan uzakta çalışın.
- 4) Geri toplama tankı içindeki köpük birikimini devamlı kontrol edin. Distribütör tarafından tavsiye edilen köpük kontrol solüsyonunu kullanın. (Not: Aşırı köpük birikimi, şamandıranın kapanmasını etkinleştirmez ve vakum motoruna zarar verebilir.)
- 5) Fırçanın dönmesi durursa, fırçanın içinde bir tıkanıklık olabilir. Güç kablosunu prizden çekin, fırçayı kontrol edin ve tıkanıklığı giderin.
- 6) Geri toplama tankı dolduğunda veya solüsyon deposu boşaldığında, geri toplama tankını boşaltmanız gerekir. (rezervuar

boşaltmaya bakınız)

**Aksesuarlarla çalışma (Sadece tavsiye edilen / izin verilen parçalar ve aksesuarlar kullanılmalıdır).**

Döşemeyi ve merdivenleri temizlemek için isteğe bağlı bir aksesuar el aygıtı bağlanabilir. El aygıtı ile çalışma (**F7'e bakın**):

- 1) Normal vakum hortumunu kubbeden ayırın.
- 2) Aksesuar vakum hortumunu normal vakum hortumu yerine kubbe içine yerleştirin.
- 3) Aksesuar bağlantı aparatını, makinenin arkasındaki kuplene bağlayın.
- 4) Güç düğmesine ve vakum/pompa düğmesine basarak makineyi çalıştırın.
- 5) Deterjan solüsyonunu püskürtmek için el aygıtındaki kolu kullanın.
- 6) Temizleme tamamlandığında, su pompası / vakum motoru anahtarını kapatın ve ardından su basıncını solüsyon hatlarından ayırmak için tetiği 3 saniye sıkın.

**Kapatma**

- 1) Makineyi kapatın, fişi çıkarın ve güç kablosunu çekin.
- 2) Geri toplama tankı ve solüsyon tankını boşaltın. (Tank boşaltmaya bakınız)

**Tankları boşaltma**

**Geri toplama tankını boşaltma (F8'e bakın):**

- 1) Makineyi uygun bir boşaltma konumuna getirin. (Lütfen çevreyi düşünün)
- 2) Geri toplama tankı drenaj hortumunu kaldırın ve drenajın üzerine indirin. Geri toplama tankının boşalması için tahliye hortumu kapağını açın.
- 3) Boşaltma hortumunu tekrar makineye takın.

**Solüsyon deposunu boşaltma (F9'e bakın):**

- 1) Makineyi uygun bir boşaltma konumuna getirin. (Lütfen çevreyi düşünün)
- 2) Hortum kuplinini ayırın ve solüsyon deposunu boşaltmak için hortumu indirin.
- 3) Hortum bağlantısını makineye tekrar bağlayın.

**Makine bakımı**

**⚠ Uyarı: Elektrik çarpması riskinden**

**korunmak için herhangi bir bakım veya tamir yapmadan önce daima makinenin fişinin çıkarıldığından emin olun.**

Makinenin düzgün çalışmasına devam etmesi ve ömrünü uzatmak için, lütfen aşağıdaki bakım prosedürlerini uygulayın.

#### **Günlük bakım**

1) Geri toplama tankını ve solüsyon tankını boşaltın ve durulayın.

2) Kuplinleri ve nozulları kontrol edin. Gerekirse temizleyin (Not: Nozulları temizlemek için sivri uçlu bir nesneyi asla kullanmayın, sadece bunları sıcak suyla durulayın) **(F10'e bakın).**

3) Şamandıra filtresini geri toplama deposundan çıkarın ve suyla temizleyin **(F11'e bakın).**

4) Doldurma portu filtresini kontrol edin ve suyla temizleyin **(F12'e bakın).**

5) Makinenin altındaki Su pompası filtresini kontrol edin ve suyla temizleyin **(F13'e bakın).**

6) Döner fırçayı kontrol edin ve kalıntıları veya halı liflerini temizleyin.



**Uyarı: Döner fırçayı kontrol etmeden önce güç anahtarını kapatın ve elektrik fişini çekin.**

7) Vakum pabucunu kontrol edin ve kalıntıları veya halı liflerini temizleyin.

8) Makineyi kullandıktan sonra yumuşak bir bezle temizleyin.

9) Makinenin her kullanımından önce elektrik kablosunu, uzatma kablosunu ve hortumları hasar açısından kontrol edin.

#### **Aylık bakım**

1) Döner fırçayı herhangi bir aşınma ve yıpranma açısından kontrol edin. Gerekirse değiştirin.

2) Hasar olup olmadığını görmek için hortumları ve contaları kontrol edin. Gerekirse değiştirin.

3) Su sızıntıları için makineyi kontrol edin.

4) Tekerlekleri yağlayın.

5) Makineyi gevşek veya eksik somunlar, vidalar, civatalar için kontrol edin ve gerekirse değiştirin.

6) Herhangi bir aşınma ve yıpranma için V-kayışını kontrol edin.

#### **Nozul montajı (F14'e bakın).**

1. Nozul tabanı 2. kauçuk conta halkası

3. Püskürtme ucu nozulu

Nozul temizlendikten sonra, tabanına monte edilmesi gerekir. Önce, kauçuk halkayı doğru konuma takın, sonra aşağı doğru bastırın ve nozulu yatay yönde hizalayarak 90 derece döndürün, kurulum tamamlandı.

#### **Depolama**

##### **Güç kablosunu depolama**

1) Güç kablosunu kablo bağlarıyla bağlayın ve güç kablosu kancasında saklayın **(F15'e bakın).**

2) Güç kablosu da tutamak borusunun etrafına sarılabilir **(F16'e bakın).**

##### **Makine depolama**



**Not: Depoları yeni tutmak ve donma sıcaklıklarında korumak için makineyi depolamadan önce alım deposunu ve solüsyon deposunu boşaltın. Bu makine sadece kapalı alanda depolanmalıdır.**

1) Makineyi kuru bir alanda dik bir konumda saklayın ve döner fırçayı yerden kaldırmak için pedala basın **(F17'e bakın).**

2) Depolama alanını azaltmak için tutamağı makinenin arkasına kadar katlayın **(F18'e bakın).**

3) Hava sirkülasyonuna izin vermek için geri toplama tankı kubbesini çıkarın.

**Teknik özellikler için F20'e bakın)**

**Teknik özellikler için F20'e bakın)**

**Makine malzemesi bileşimi ve geri dönüşebilirlik için F21'e bakın)**

**Temel Sorun giderme****Dikkat; Herhangi bir bakım yapmadan önce ana kabloyu çıkarın.**

Sorunlarınız bu tabloda belirtilmediyse veya makineniz hala düzgün çalışmıyorsa, lütfen yardım için yetkili bir müşteri servisi ile iletişime geçin.

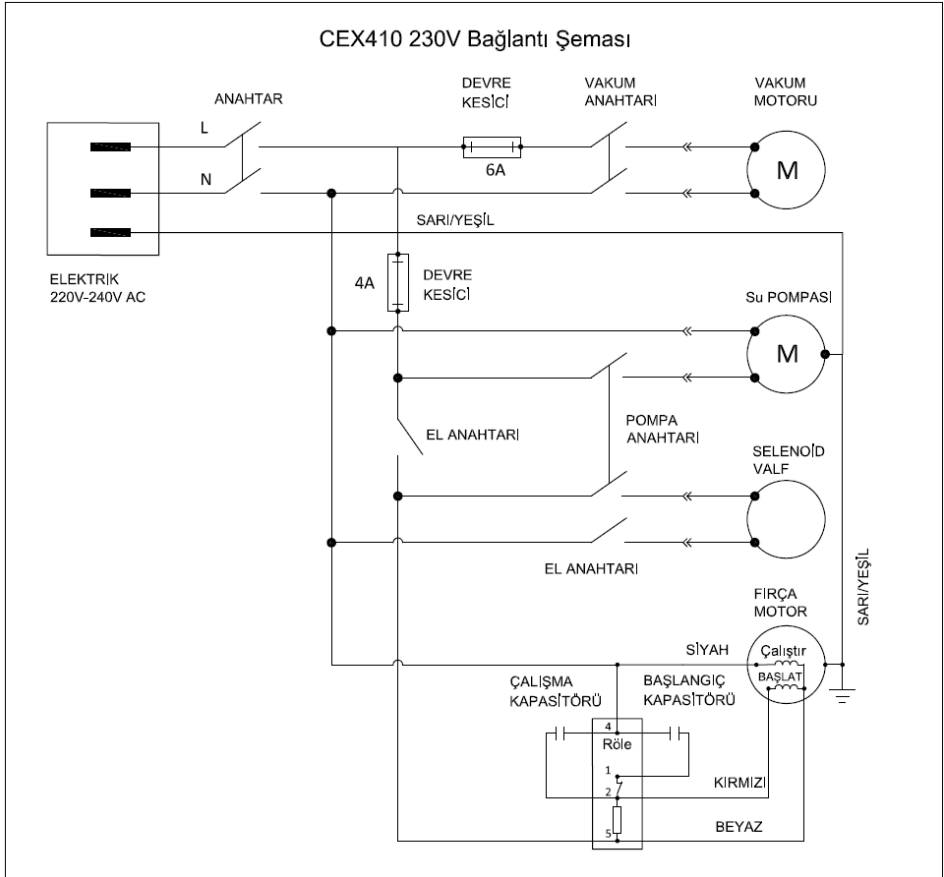
Sorun	Önlem
Makine hiç çalışmıyor	Güç kablosunu topraklı bir prize takın
	Yedek uzatma kablosunu kullanın
Vakum motoru çalışmıyor	Vakum motor anahtarını açınız
	Kontrol panelindeki vakum motoru koruma sigortasını (Devre kesici) sıfırlayın
Döner fırça motoru çalışmıyor	Döner fırça motoru anahtarını açın
	Kontrol panelindeki döner fırça motoru koruma sigortasını (Devre kesici) sıfırlayın
Yetersiz vakum performansı	Geri toplama deposunun sızdırmazlık halkasını kontrol edin, gerekirse temizleyin veya değiştirin
	Geri toplama deposunu boşaltın
	Vakum hortumunun uygun biçimde yerleştirildiğinden emin olun
	Herhangi bir hasar olup olmadığı konusunda vakum hortumunu kontrol edin, gerekirse değiştirin
	Temizleme işlemini yavaşlatın
Nozuldan su püskürmüyor	Solüsyon deposunu tekrar doldurun
	Su pompası anahtarını açın
	Nozulu sıcak suyla durulayın (maks. 120°F/50°C)
	Makinenin altındaki solüsyon filtresini temizleyin veya değiştirin
Döner fırça motoru çalışmıyor	Döner fırça motoru anahtarını açın
	Herhangi bir hasar varsa V kayışını kontrol edin, gerekirse değiştirin
	Döner fırça tertibatını kontrol edin
	Fırçanın düzgün bir şekilde dönmesini engelleyen halı lifleri, iplikler veya artıklar için döner fırçayı kontrol edin

**Bertarafı:**

Üzerinde çarpı işareti bulunan çöp kutusu sembolü ile işaretlenmiş aletler kullanılan elektrikli ve elektronik aletler ayrılmamış ev atıkları ile birlikte atılması gerektiğini belirtir. İnsan sağlığı ve ekipmanları belirlenmiş toplama noktalarında ayrı ayrı toplanması gerekir çevreye olumsuz etkileri önlemek için.

elektrikli ve elektronik ev eşyasında kullanıcıları belediye toplama düzenlerini kullanmalıdır. Belediye toplama programları yoluyla bertaraf edilemez, yani ticari olarak kullanılan elektrikli ve elektronik ekipman unutmayınız. Biz uygun bertaraf seçenekleri hakkında sizi bilgilendirmek için memnun olacağız.

## Bağlantı şeması (F19)



## Teknik özellikler (F20)

CEX410 SERİSİ MAKİNASI TEKNİK ŞARTNAME	
TEKNİK ÖZELLİKLER	CEX410-TR
VOLTAJ (V)	220~240
NOMİNAL GÜÇ (W)	1850
FREKANS (Hz)	50/60
KABLO(M/FEET)	15M/50FEET
SOLÜSYON TANKI(L/Gal)	35L/9 Gal
GERİ TOPLAMA TANKI (L/Gal)	23L/6Gal
FIRÇA MOTORU GÜCÜ (HP/W)	400W
VAKUM MOTORU GÜCÜ (HP/W)	1200W
VAKUM MOTOR DÜZEYLERİ VE TİPİ	3-düzeyleli teğetsel
VAKUM MOTORU SU ÇEKİMİ (İNÇ/MM H2O)	3200MMH2O
VAKUM MOTORU HAVA AKIMI (CFM,L/MİN)	85CFM,2407L/MİN
SES BASINÇ SEVİYESİ (dba)	70±3
POMPA KESME BASINCI (Bar/PSI)	8.3Bar/120PSI
POMPA ÇALIŞMA BASINCI 2 JET (Bar/PSI)	5.9Bar/85PSI
PUMP WORKING PRESSURE 1 JET(Bar/PSI)	7.2Bar/105PSI
MAKİNE FIŞKIRTMA UCU MALZEMESİ	Pirinç
EL AYGITI FIŞKIRTMA UCU MALZEMESİ	Paslanmaz
SOLUTION FLOW 2 JETS( Gal/MİN,L/MİN)	0.7Gal/MİN, 2.8L/MİN
SOLUTION FLOW 1 JET( Gal/MİN,L/MİN)	0.5Gal/MİN, 1.8L/MİN
FIRÇA HIZI(RPM,Tr/Min)	1100RPM,11Tr/Min
TİTREŞİM	ah, w=0.74m/s <sup>2</sup>
TEMİZLEME GENİŞLİĞİ (mm/inch)	410mm/16inch
NOZUL GENİŞLİĞİ (mm/inç)	460mm/18inch
EL AYGITI GENİŞLİĞİ(mm/inç)	121mm/4.7inch
YER AYGITI GENİŞLİĞİ (mm/inç)	254mm/10inch
ARKA TEKERLEK ÇAPI(mm/inç)	254mm/10inch
MAKİNA NET AĞIRLIĞI (Lb./KG)	121Lbs./L55kg
NAKLİYE AĞIRLIĞI( Lb./KG)	143 Lbs./65KG
SOLÜSYON SIVISI İLE BİRLİKTE MAKİNE AĞIRLIĞI	176Lbs./80KG
MAKİNE BOYUTLARI (U*G*Y)(İNÇ/MM)	46 x 20 x 35Inches 1170*510*880MM
NAKLİYE BOYUTLARI (U*G*Y)(İNÇ/MM)	35.5 x 24 x 36.5 Inches 900x605x925MM
TUTAMAK OLMADAN YÜKSEKLİK (İNÇ/MM)	28.5 inches/725MM

## HURDAYA ÇIKARMA

Makineyi kalifiye bir uzman tarafından hurdaya çıkartın

Makineyi hurdaya çıkarmadan önce, yürürlükteki Yasaya göre mülkiyeten çıkarılması gereken aşağıdaki malzemeleri çıkarın ve ayırın:

- Bataryalar
- Fırçalar
- Plastik hortumlar ve bileşenler
- Elektrik ve elektronik bileşenler (\*)

(\*) Özellikle elektronik parçaları hurdaya ayırırken en yakın Nilfisk Merkezi'ne başvurun.

## CEX410 makine malzeme bileşimi ve geri dönüştürülebilirlik (F21)

Türü	Geri dönüşümlülük yüzdesi	ağırlık yüzdesi
Alüminyum	100%	6%
Elektrikli motorlar-çeşitli	35%	25%
Demir içeren malzemeler	100%	8%
Kablo demeti	78%	5%
Sıvılar	0%	0%
Plastik geri dönüşümü olmayan malzeme	0%	2%
Plastik geri dönüştürülebilir malzeme	100%	44%
Poliyeten	70%	6%
Kauçuk	20%	4%

**ÜRETİCİ FİRMA:**

Viper Cleaning Equipment Co. Ltd.  
Viper Industrial Estate  
Liangbian, Liaobu,  
Dongguan, Guangdong  
Çin Halk Cumhuriyeti  
Tel: +86-769 83283988  
Fax: +86-769-8328 0104

**İTHALATÇI FİRMA:**

Nilfisk Prof. Tem. Ek. Tic. A.Ş.  
Şerifali Mah. Bayraktar Blv. Şehit Sk. No:7,  
34775 Ümraniye İstanbul, Türkiye  
Tel : +90 216 275 76 00  
Faks : +90 216 275 76 30  
www.nilfisk.com.tr

**ÜRETİM YERİ:**

ÇİN HALK CUMHURİYETİ

**KULLANIM ÖMRÜ:**

Cihazın kullanım ömrü 10 yıldır.

**ATIK ELEKTRİKLİ ELEKTRONİK  
EŞYALAR (AEEE) YÖNETİMİ:**

Satın almış olduğunuz bu ürün, AEEE yönetmeliğine uygundur.



## TÜKETİCİNİN SEÇİMLİK HAKLARI

Malın ayıplı olduğunun anlaşılması durumunda tüketici, 6502 sayılı Tüketicinin Korunması Hakkında Kanununun 11 inci maddesinde yer alan;

**a- Sözleşmeden dönme,**

**b- Satış bedelinden indirim isteme,**

**c- Ücretsiz onarılmasını isteme,**

**ç-Satılanın ayıpsız değerinde değiştirilmesini isteme, haklarından birini kullanabilir.**

**Tüketicinin bu haklardan ücretsiz onarım hakkını** seçmesi durumunda satıcı; işçilik masrafı, değiştirilen parça bedeli ya da başka herhangi bir ad altında hiçbir ücret talep etmeksizin malın onarımını yapmak veya yaptırmakla yükümlüdür. Tüketici ücretsiz onarım hakkını üretici veya ithalatçıya karşı da kullanabilir. Satıcı, üretici ve ithalatçı tüketicinin bu hakkını kullanmasından müteselsilen sorumludur.

Tüketicinin, **ücretsiz onarım hakkını** kullanması halinde malın;

- Garanti süresi içinde tekrar arızalanması,
- Tamiri için gereken azami sürenin aşılması,
- Tamirinin mümkün olmadığının, yetkili servis istasyonu, satıcı, üretici veya ithalatçı tarafından bir raporla belirlenmesi durumlarında; **tüketici malın bedel iadesini, ayıp oranında bedel indirimini veya imkân varsa malın ayıpsız misli ile değiştirilmesini** satıcıdan talep edebilir.

Satıcı, tüketicinin talebini reddedemez. Bu talebin yerine getirilmemesi durumunda satıcı, üretici ve ithalatçı müteselsilen sorumludur.

Satıcı tarafından **Garanti Belgesinin** verilmemesi durumunda, tüketici **Gümrük ve Ticaret Bakanlığı Tüketicinin Korunması ve Piyasa Gözetimi Genel Müdürlüğüne** başvurabilir.

Tüketici, çıkabilecek uyuşmazlıklarda şikayet ve itirazları konusundaki başvuruları yerleşim yerinin bulunduğu veya tüketici işleminin yapıldığı yerdeki **Tüketici Hakem Heyetine veya Tüketici Mahkemesine** başvurabilir.

**Uvod:** Ta naprava Vam omogoča pametno in učinkovito rešitev za čiščenje tapiciranih površin.

Izdelek je primeren za komercialno uporabo v hotelih, šolah, bolnišnicah, tovarnah, trgovinah, pisarnah in podobno. Namenjen je za uporabo v notranjih prostorih. Ta priročnik zagotavlja uporabniku navodila za pravilno in varno uporabo. Temeljito preberite priročnik pred čiščenjem ali izvajanjem vzdrževalnih del.



### **Pomembna varnostna opozorila**

Med delovanjem mora biti stroj ozemljen. Bodite pozorni na ta pomembna varnostna opozorila, da bi zmanjšali nevarnost požara, električnega udara ali poškodb.

Neupoštevanje varnostnih navodil lahko povzroči poškodbe stroja, poškodbe lastnine in telesne poškodbe.

- 1) Uporabljajte stroj le, kot je opisano v priročniku. Ne uporabljajte ga na način, za katerega ni bil namenjen. Uporabljajte samo priporočeno dodatno opremo proizvajalca.
- 2) Naprave ne puščajte brez nadzora, ko je priključena. Izklopite vsa stikala in izvlecite električni kabel, ko ni v uporabi in pred servisiranjem.
- 3) Aparat ni namenjen za uporabo osebam (vključno z otroki) z zmanjšanimi fizičnimi, senzoričnimi ali psihičnimi zmoglostmi ali pomanjkanjem izkušenj in znanja, razen če je zagotovljen nadzor nad delom ali podana navodila za delo z aparatom s strani osebe, odgovorne za njihovo varnost.
- 4) Če naprava ne deluje, kot bi morala, če je padla z višine, bila poškodovana, ali je ostala na prostem, jo vrnite v servisni center pred nadaljnjo uporabo.
- 5) Izogibajte se električnemu udaru, ne prijemajte vtikača ali naprave z mokrimi rokami. Če želite kabel izključiti iz vtičnice, prijemajte za vtikač. Ne vlecite kabla.
- 6) Ne uporabljajte podaljškov in vtičnic s premajhno tokovno zmogljivostjo. Ne

uporabljajte s poškodovanim kablom ali vtičem. Napravo priključite le na primerno ozemljeno vtičnico.

Izogibajte se poškodovanju kabla (zapiranje med vrata, vlečenje okoli ostrih robov ali vogalov, vročih površin, ali vožnjo napravav preko kabla).

- 7) Ta naprava ustvarja sesanje in vsebuje vrtljivo krtačo. Držite lase, ohlapna oblačila, prste in vse druge dele telesa proč od odprtin in gibljivih delov. V nobeno od odprtin na napravi ne vstavljajte nobenih predmetov.
- 8) Ne sesajte predmetov, ki gorijo ali se kadijo, kot so cigarete, vžigalice, ali vroč pepel.
- 9) Naprave ne uporabljajte za sesanje gorljivih ali vnetljivih tekočin, kot je bencin.
- 10) Ne uporabljajte v prostorih, kjer so prisotni vnetljivi ali eksplozivni hlapi ali prah, da se izognete možnosti požara in eksplozije. Nekatera čistilna sredstva lahko povzročajo takšne hlapce. Naprava ni primerna za čiščenje prahu, ki ogroža zdravje.
- 11) Pri čiščenju stopnic bodite posebej previdni.
- 12) Naprave ne uporabljajte na prostem.
- 13) Hranite napravo v prezračevanem, suhem prostoru.

### **Razpakiranje**

Ko je naprava dobavljena, natančno preglejte embalažo in napravo za morebitne poškodbe. V primeru poškodb, o njih obvestite prevoznika in si pred prevzetjem blaga pridržite pravico do nadomestila za škodo. V kartonski škatli so naslednji predmeti:

#### **Vsebina (glej F1):**

- Ekstraktor za preproge • Sesalna glava
- Valjastana krtača • 50' napajalni kabel

### **Identifikacijski podatki za napravo**

Serijska številka in ime modela sta označena na serijski etiketi.

Te informacije so koristne. Uporabite naslednjo tabelo, da zapišete identifikacijske podatke za napravo pri naročilu rezervnih delov.

Model naprave .....
---------------------

Serijska številka naprave .....
---------------------------------

### Komponente naprave (glej stran 2)

1. stikalo načina pršenja 2. kavelj za napajalni kabel 3. napajalni kabel 4. ročajna cev (nerjavna) 5. posoda za raztopino 6. zadnje kolo 7. baza naprave 8. "Kickstand" pedal 9. gumb za nastavljanje višine baze 10. gumb sesalne glave 11. vhod sesalne cevi 12. kupola 13. polnilna odprtina 14. viper logotip 15. sesalna glava 16. nadzorna plošča 17. ročno orodje (izbirno) 18. razpršilna šoba ročnega orodja 19. hitri priključek ročnega orodja 20. ventil ročnega orodja 21. sesalna cev ročnega orodja 22. objemka za kabel 23. osnovna plošča 24. gumb za nastavitev ročaja 25. objemka cevi 26. spojka nivojske cevi 27. nivojska cev 28. sesalna cev 29. cev za odvod rezervoarja 30. priključna hitra spojka 31. filter za raztopino 32. gred 33. "Kickstand" nosilec 34. podnožje šobe 35. šoba za pršenje 36. obrabna plošča 37. "Kickstand" matica 38. sestavljali vijak 39. valjasta krtača 40. držalo valjaste krtače 41. pokrov zbiralnega rezervoarja 42. zbiralni rezervoar 43. pokrov plavajočega filtra 44. pokrov plovca 45. filter za peno 46. držalo plavajočega filtra 47. pokrov jermena

### Namestitev sesalne glave in valjaste krtače

#### Namestitev sesalne glave (glej F2):

- 1) Najprej namestite napravo navpično na tla.
- 2) Dvignite gumb za sesalno glavo.
- 3) Vstavite sesalno glavo v sesalno cev in držalo v pravilni položaj
- 4) Sprostite gumb za sesalno glavo
- 5) Povlecite sesalno glavo, če se ne premika, je namestitev končana.

#### Namestitev valjaste krtače (glej F3):

- 1) Napravo postavite v stranski položaj.
- 2) Vstavite stran krtače z lokacijsko režo na ležišče in pritisnite drugo stran na držalo za krtačo. Nasvet: Najprej vstavite eno stran

krtače in se prepričajte, da je konec z utorom nameščen pravilno in nato namestite drugo stran.

- 3) Če se krtača gladko vrti, je namestitev končana.

### Nastavitev ročaja in prilagajanje višine sesalne glave / valjaste krtače (glej F4)

- 1) Naprava ima možnost nastavljanja višine glede na višino uporabnika in navade dela.
- 2) Držite gumb za nastavitev ročaja in ga zavrtite v nasprotni smeri, da sprostite ročaj.
- 3) Ročaj prilagodite v ustrezen položaj in zategnite gumb.

### Nastavitev sesalne glave/ valjaste krtače

Ko uporabljamo napravo na različnih debelinah preprog, ali je krtača obrabljena, lahko uporabnik poveča učinkovitost čiščenja tako, da prilagodi višino sesalne glave in krtače (glej F5).

- 1) Oznaka hitrosti naprave (0 → MAX označuje hitrost naprave od počasne do hitre).
- 2) Oznaka pritiska valjaste krtače (- → + označuje povečanje pritiska na valjasti krtači).
- 3) Gumb za nastavitev sesalne glave.

Zavrtite gumb za nastavitev sesalne glave in premaknite sesalno glavo v ustrezen položaj.

### Nadzorna plošča (glej F6).


1. Stikalo za vklop 2. Stikalo vodne črpalke
3. Stikalo vakuumskega motorja 4. Varovalka za motor valjaste krtače 5. Varovalka za vakuumski motor

### Delovanje naprave

#### Pred uporabo

- 1) Preverite poškodovanost napajalnega kabla in podaljška. Zamenjajte kabel, če najdete poškodbe.
- 2) Pred čiščenjem s to napravo s površin, ki jih boste čistili, odstranite večje trdne delce.

#### Delovanje

 **Opozorilo: Ne dovolite, da bi napajalni kabel prišel v stik z vrtljivo krtačo.**

- 1) Z uporabo cevi ali vedra napolnite

rezervoar za raztopino z vročo vodo. (max. 120°F/50°C, kapaciteta 9 Gal./35L).

- 2) Dodajte priporočeni detergent distributerja.
- 3) Priključite priloženi napajalni kabel v napravo. Priključite kabel v ozemljeno vtičnico.
- 4) Pritisnite stikalo za vklop naprave, in stikalo za sesanje / črpalko.
- 5) Da začnete s čiščenjem, pritisnite gumb za razprševalni način in začnite vleči napravo nazaj. (Opozorilo: naprava bo pršila samo, ko je stikalo črpalke in stikalo za razprševanje vklopljeno.)
- 6) Na koncu poti sprostite gumb za razprševanje in nadaljujte z vlečenjem naprave nazaj, da poberete odvečno čistilno raztopino s tal.
- 7) Nagnite napravo nazaj na kolesa in porivajte naprej do naslednje čistilne poti.



#### **Nasveti za čiščenje:**

- 1) Vozite preko površine, ki jo čistite v prekrivajočih se poteh.
- 2) Pustite čistilno raztopino 5-10 minut na močno umazanih površinah in ponovite čiščenje večkrat.
- 3) Delajte stran od vtičnice in napajalnega kabla, da preprečite poškodbe kabla.
- 4) Stalno preverjajte, ali je nastala pena v zbiralni posodi. Uporabite raztopino, ki jo priporoča distributer. (**Opomba: Prekomerni nastanek pene ne bo povzročil izklopa preko plovca in lahko povzroči poškodbe na vakuumskem motorju.**)
- 5) Če se krtača neha vrteti, je morda na njej ovira. Odklopite napajalni kabel, preverite krtačo in odstranite ovire.
- 6) Ko je zbiralni rezervoar poln, ali je posoda za raztopino prazna, morate sprazniti zbiralni rezervoar. (glej Praznjenje rezervoarjev)

**Delovanje z dodatno opremo (uporabljajte samo priporočene dele in dodatke).**

Za čiščenje oblazinjenih površin in stopnic

lahko pritrdite dodatno ročno orodje.

Delovanje z ročnim orodjem (**glej F7**):

- 1) Odklopite običajno sesalno cev iz kupole.
- 2) Namesto običajne sesalne cevi namestite dodatno sesalno cev na kupolo.
- 3) Priključite hitri priključek dodatne opreme na hitro spojko na hrbtni strani naprave.
- 4) Vključite stikalo za vklop naprave in stikalo za vklop vakuumskega motorja / vodne črpalke.
- 5) Uporabite ročico na ročnem orodju, da razpršite raztopino detergenta.
- 6) Ko je čiščenje končano, izklopite vodno črpalko / vakuumski motor in pritisnite sprožilec 3 sekunde, da se izstisne tlak iz vodov za raztopino.

#### **Izklop**

- 1) Izklopite napravo, odklopite in odstranite napajalni kabel.
- 2) Spraznite zbiralni rezervoar in posodo za raztopino. (glej Praznjenje rezervoarjev)

#### **Praznjenje rezervoarjev**

##### **Praznjenje zbiralnega rezervoarja (glej F8):**

- 1) Napravo premaknite na ustrezno mesto za praznjenje. (Prosimo pazite na okolje)
- 2) Držite odtočno cev za zbiralni rezervoar nad odtok. Odprite pokrov odtočne cevi, da spraznite zbiralni rezervoar
- 3) Odtočno cev ponovno namestite nazaj na napravo.

##### **Praznjenje posode za raztopino (glej F9):**

- 1) Napravo premaknite na ustrezno mesto za praznjenje. (Prosimo pazite na okolje)
- 2) Odklopite cevno spojko in spustite cev, da odvajate raztopino iz posode.
- 3) Priključite spojko nazaj na napravo.

#### **Vdrževanje naprave**



**Opozorilo: Da bi se izognili nevarnosti električnega udara, vedno preverite, da je stroj izključen pred vzdrževalnimi deli in popravili.**

Da naprava deluje pravilno in da bi podaljšali njeno življenjsko dobo, izvajajte naslednje

vzdrževalne ukrepe.

### Dnevno vzdrževanje

- 1) Izpraznite in sperite zbiralno posodo in posodo za raztopino.
- 2) Preverite hitre spojke in šobe. Očistite, če je potrebno (Opomba: Nikoli ne uporabljajte koničastih predmetov za čiščenje šob, spirajte jih s toplo vodo) **(glej F10)**.
- 3) Odstranite plavajoči filter iz zbiralne posode in ga očistite z vodo **(glej F11)**.
- 4) Preverite filter za polnjenje in ga očistite z vodo **(glej F12)**.
- 5) Preverite filter vodne črpalke pod napravo in ga očistite z vodo **(glej F13)**.
- 6) Preverite vrtljivo krtačo in odstranite morebitne delce ali vlakna.



**Opozorilo: Pred preverjanjem vrtljive krtače izklopite stikalo za vklop in iztaknite napajalni kabel.**

- 7) Preverite sesalno glavo in odstranite morebitne delce in vlakna.
- 8) Po uporabi očistite napravo z mehko krpo.
- 9) Pred vsako uporabo naprave preverite napajalni kabel, podaljšek in cevi za morebitne poškodbe.

### Monthly maintenance

- 1) Preverite kakršno koli obrabo vrtljive krtače. Po potrebi zamenjajte.
- 2) Preverite cevi in tesnila, ali so kakšne poškodbe. Po potrebi zamenjajte.
- 3) Preverite puščanje vode na napravi.
- 4) Namažite kolesa.
- 5) Preverite manjkaajoče ali odvite matice, vijake in jih po potrebi zamenjajte.
- 6) Preverite obrabo na jermenu. Po potrebi zamenjajte.

### Namestitev šobe (glej F14).

1. baza šobe
2. gumijasti tesnilni obroč
3. razpršilna šoba

Po čiščenju šobe, jo namestimo na osnovno ploščo. Najprej namestite gumijasti obroč v pravilen položaj, nato pa pritisnite navzdol in zavrtite šobo za 90 stopinj, da je šoba poravnana vodoravno, namestitev je končana.

### Skladiščenje

#### Shranjevanje napajalnega kabla

- 1) Zvijte napajalni kabel in ga obesite na kavelj za napajalni kabel **(glej F15)**.
- 2) Napajalni kabel se lahko tudi navije okoli cevi za ročaj **(glej F16)**.

#### Shranjevanje naprave



**Opomba: Pred skladiščenjem naprave spraznite zbiralni rezervoar in posodo za raztopino, da rezervoarji ostanejo sveži in v primeru temperature pod lediščem. Napravo shranjujte samo v zaprtih prostorih.**

- 1) Napravo shranjujte v pokončnem položaju v suhem prostoru in sprostite pedal, tako da vrtljiva krtača ni na tleh **(glej F17)**.
- 2) Zložite ročaj na zadnjo stran stroja, da zmanjšate proctor za shranjevanje **(glej F18)**.
- 3) Odstranite kupolo zbiralnega rezervoarja, da omogočite kroženje zraka.

### Omrežni načrt glej F19

### Tehnične specifikacije glej F20

### Sestava materialov za napravo in recikliranje glej F21

## Osnovno odpravljanje težav



**Pazite; pred vsakim vzdrževalnim delom izključite omrežni vtič.**

Če vaše težave niso omenjene v tej tabeli ali vasa naprava še vedno ne deluje pravilno, se za pomoč obrnite na pooblaščen službo za pomoč strankam.

Težava	Protiukrep
Naprava sploh ne deluje	Napajalni kabel priključite v ozemljeno vtičnico
	Poskusite nadomestni napajalni kabel
Vakuumski motor ne deluje	Vključite stikalo vakuumskega motorja
	Ponastavite varovalko vakuumskega motorja (prekinitveno stikalo) na nadzorni plošči
Motor valjaste krtače ne deluje	Vključite stikalo motorja valjaste krtače
	Ponastavite varovalko motorja valjaste krtače (prekinitveno stikalo) na nadzorni plošči
Nezadostna učinkovitost vakuuma	Preverite tesnilni obroček na zbiralnem rezervoarju, po potrebi očistite ali zamenjajte
	Izpraznite zbiralni rezervoar
	Preverite, da je cev za sesanje pravilno vstavljena
	Preverite poškodbe na sesalni cevi, po potrebi zamenjajte
Šoba ne prši raztopine	Upočasnite čiščenje
	Ponovno napolnite posodo za raztopino
	Vklopite stikalo vodne črpalke
	Šobo sperite z vročo vodo (max. 120°F/50°C)
Valjasta krtača ne deluje	Očistite ali zamenjajte filter za raztopino na dnu naprave
	Vklopite stikalo motorja za valjasto krtačo
	Preverite jermen, če je poškodovan, ga zamenjajte
	Preverite, če je krtača pravilno vstavljena
	Preverite, če so na valjasti krtači vlakna, niti ali trdni delci, ki preprečujejo, da bi se krtača pravilno vrtela.

### Likvidácia:



Zariadenie označené preškrtnutej Symbol pojazdné popolnice znamená, že použité elektrické a elektronické zariadenia nesmie byť zlikvidovaný spolu s domovým odpadom neoddelené. Aby sa zabránilo negatívnym vplyvom na ľudské zdravie a životné prostredie sa musí zariadenie oddelene zozbieraných na určených zberných miestach.

Používatelia elektrických a elektronických zariadení pre domácnosť musia používať komunálne schémy zberu. Upozorňujeme, že bežne používané elektrické a elektronické zariadenia sa nesmú likvidovať prostredníctvom

komunálnych systémov zberu. Budeme radi, že Vás informovali o vhodných možnostiach likvidácie.

**Úvod:** Tento přístroj představuje chytré, efektivní řešení na čištění koberců. Stroj je vhodný pro komerční použití v hotelech, školách, nemocnicích, továrnách, obchodech, kancelářích a v nejrůznějších půjčovnách. Stroj byl navržen pro použití v interiéru. Tento manuál obsahuje veškeré informace, které obsluha stroje potřebuje, aby jej byla schopna správně a bezpečně používat. Před použitím či údržbou stroje si jej proto pečlivě pročtěte.

### **Důležité bezpečnostní pokyny**

Stroj je před používáním nutno nejprve uzemnit. Abyste snížili riziko požáru, elektrického šoku či poranění, věnujte pozornost těmto varováním. Pokud tak neučiníte, může dojít k poškození stroje a osobního vlastnictví či k poranění.

1) Stroj používejte jen způsobem, který je popsán v tomto manuálu. Nepoužívejte ho za účely, pro něž nebyl navržen. Nepoužívejte jiné příslušenství než to, které je doporučeno výrobcem.

2) Po zapojení do elektřiny stroj nenechávejte bez dozoru. Pokud jej právě nepoužíváte či chystáte údržbu, nejprve stroj řádně vypněte a vytáhněte napájecí kabel ze zásuvky.

3) Tento stroj nesmí obsluhovat děti, osoby se sníženými fyzickými, smyslovými či psychickými schopnostmi či osoby, které jeho obsluhu nerozumí a nemají s ní náležitou zkušenost. V případě, že jej takové osoby používají, jim musí osoba odpovídající za jejich bezpečí vysvětlit, jak stroj obsluhovat, nebo musí být přítomna další osoba, která na ně dohlídí.

4) Pokud stroj správně nefunguje, nechte jej před dalším použitím nejprve zkontrolovat v servisním centru. To samé platí i v případě, že spadl na zem, byl poškozen či ponechán venku.

5) Abyste se vyhnuli elektrickému šoku, nesahejte na zástrčku ani na stroj mokřýma rukama. Pokud chcete kabel vypojit z elektřiny, uchopte správně zástrčku. Nikdy

netahaňte přímo za kabel.

6) Nepoužívejte prodlužovací kabely nebo zásuvky, které nespĺňují proudové zatížení. Stejně tak nepoužívejte přístroj, který má poškozený napájecí kabel či zásuvku.

Stroj zapínejte pouze do správně uzemněné zásuvky. (nezavírejte jej do dveří, netahejte ho kolem ostrých hran či rohů, nevedte ho kolem horkých míst a nepřejíždějte ho strojem samotným).

7) Tento stroj vytváří podtlak. Jeho součástí je také rotační kartáč. Dbejte proto, aby se vaše vlasy, volné oblečení, prsty a další části vašeho těla nedostaly příliš blízko k jeho otvorům a pohyblivým součástím. Do otvorů tohoto stroje nevkládejte žádné předměty.

8) Nesbírejte strojem žádné předměty, které hoří či doutnají, jako cigarety, zápalky či horký popel

9) Nepoužívejte stroj ke sběru hořlavých či výbušných kapalin, jako je benzín.

10) Nepoužívejte stroj v místech, kde se vyskytují hořlavé a/nebo výbušné plyny. Stejně tak se vyhněte jeho použití v zaprášených místnostech. Pokud tak neučiníte, riskujete možný požár či výbuch. Tyto plyny vznikají z určitých druhů čisticích prostředků. Stroj není vhodný ke sběru prachu, který by mohl ohrozit zdraví osob.

11) Pokud čistíte schody, věnujte práci náležitou pozornost.

12) Nepoužívejte stroj venku.

13) Stroj skladujte na odvětrávaném, suchém místě.

### **Vybalování**

Až bude stroj doručován, pečlivě zkontrolujte, zda není balík nebo stroj v něm poškozen.

Pokud tomu tak bude, upozorněte na to dopravce a vyhradte si právo na kompenzaci vzniklých škod. Teprve poté balík převzmete.

Balík obsahuje následující:

Obsah (viz. F1):

- Čistič koberců • Sací hlavice
- Rotační kartáč • Prodlužovací kabel o délce 15m

**Identifikační údaje stroje**

Sériové číslo a název modelu jsou uvedeny na výrobním štítku stroje.

Tyto údaje se vám budou hodit v případě, že budete potřebovat náhradní díly. Zapište si je proto do následující tabulky.

Model stroje .....
Sériové číslo stroje .....

### Součástky stroje (viz. strana 2)

1. tlačítko pro rozstříkování 2. držák na napájecí kabel 3. napájecí kabel 4. trubice rukojeti (nerezová) 5. nádrž na čisticí roztok 6. zadní kolečko 7. podvozek stroje 8. pedál stojánku „Kickstand“ 9. regulátor výšky podvozku 10. knoflík sací hlavice 11. otvor na sací trubici 12. kupole 13. plnicí otvor 14. logo Viper 15. sací hlavice 16. kontrolní panel 17. ruční vysavač (není nutné jej použít) 18. tryska ručního vysavače 19. rychlospojka ručního vysavače 20. rukojeť na otvírání klapky ručního vysavače 21. hadice ručního vysavače 22. svorka na kabel 23. základní deska 24. knoflík pro nastavení rukojeti 25. svorka na hadici 26. spojka na měрку stavu vody 27. měřka stavu vody 28. sací hadice 29. hadice na odčerpávání vody 30. rychlospojka na příslušenství 31. filtr na čisticí roztok 32. rukojeť 33. stojánek „Kickstand“ 34. deska na trysky 35. tryska 36. třecí vložka 37. matice stojánku „Kickstand“ 38. západka na sestavení stroje 39. rotační kartáč 40. držák rotačního kartáče 41. západka odpadní nádrže 42. odpadní nádrž 43. kryt plovoucího filtru 44. plovoucí kryt 45. filtr na pěnu 46. držák plovoucího filtru 47. kryt klínového řemenu

### Montáž sací hlavice a rotačního kartáče

#### Montáž sací hlavice (viz. F2)

- 1) Nejprve postavte stroj na podlahu kolečky dolů.
- 2) Zdvihněte knoflík sací hlavice.
- 3) Zcela nasuňte sací hlavici do otvoru na sací trubici a na podvozek.
- 4) Pusťte knoflík sací hlavice.
- 5) Zatáhněte za sací hlavici. Pokud se nehýbe, je nainstalována správně.

#### Montáž rotačního kartáče (viz. F3)

- 1) Položte stroj na bok.
- 2) Nasuňte jednu stranu rotačního kartáče do otvoru nosiče ložiska a druhou stranu zastrčte do držáku rotačního kartáče. Tip: Nejdříve jednu stranu rotačního kartáče zatlačte tak, aby konec s drážkou zapadl na své místo. Poté nainstalujte i druhou stranu.
- 3) Pokud se rotační kartáč při otáčení nezasekává, je namontován správně.

#### Nastavení výšky rukojeti a sací hlavice / rotačního kartáče

##### Nastavení rukojeti (viz. F4)

- 1) Výšku rukojeti přístroje lze nastavit tak, aby odpovídala postavě či potřebám obsluhy.
- 2) Chyťte knoflík pro nastavení rukojeti a otočte jej v protisměru, abyste uvolnili rukojeť.
- 3) Upravte si výšku rukojeti a znovu knoflík utáhněte.

##### Nastavení sací hlavice / rotačního kartáče

Pokud pracujete s různými typy koberců nebo již máte lehce opotřebovaný rotační kartáč, můžete zvýšit účinnost čištění tak, že si nastavíte výšku sací hlavice a rotačního kartáče (viz. F5).

- 1) Štítek s rychlostmi stroje (0 → MAX) indikuje rychlost stroje od pomalé po největší.
- 2) Štítek s tlakem rotačního kartáče (- → +) upozorňuje na zvyšující se tlak kartáče.
- 3) Knoflík nastavení sací hadice. Chyťte knoflík sací hlavice a otočte jej po směru. Poté sací hlavici posuňte výš nebo níž do vhodné pozice.

##### Kontrolní panel (viz. F6)

1. Vypínání 2. Vypínání čerpadla na vodu 3. Vypínání sacího motoru 4. Pojistky motoru rotačního kartáče 5. Pojistky motoru vysavače

#### Obsluha stroje

##### Před použitím

- 1) Zkontrolujte napájecí a prodlužovací kabel a ujistěte se, že nejsou poškozeny. Pokud poškození zjistíte, kabel nejprve vyměňte.
- 2) Místo, které chcete čistit, nejprve vysajte, abyste jej zbavili pevných nečistot. Teprve



poté přejděte k samotnému čištění.

### Obsluha



**Varování: Ujistěte se, že kabel nepřijde do styku s rotačním kartáčem.**

- 1) Naplňte nádrž na čisticí roztok horkou vodou pomocí hadice či kbelíku. (max. 120°F/50°C, objem 9 gal./35 l).
- 2) Přidejte čisticí prostředek, který vám doporučil prodejce.
- 3) Připojte ke stroji prodlužovací kabel, který je součástí balení. Zapojte jej do uzemněné zásuvky.
- 4) Zapněte stroj, vysavač a čerpadlo na vodu.
- 5) Abyste mohli začít s čištěním, zapněte rozstřikování a táhněte stroj směrem dozadu. (Poznámka: přístroj začne rozstřikovat vodu pouze v případě, že je zapnuté čerpadlo na vodu a tlačítko pro rozstřikování je stisknuté.)
- 6) Až dorazíte na konec dráhy, kterou čistíte, pusťte tlačítko pro rozstřikování.
- 7) Přitáhněte stroj směrem k sobě tak, aby stál na kolečkách a dotlačte jej směrem dopředu až na začátek nové dráhy.
- 8) Přitáhněte stroj směrem k sobě tak, aby stál na kolečkách, a dotlačte jej směrem dopředu až na začátek nového pásu.



### Tipy na čištění

- 1) Prostor, který chcete vyčistit, přejíždějte tak, aby se jednotlivé dráhy překrývaly.
- 2) Na silně znečištěných místech nechte čisticí roztok 5 až 10 minut působit. Poté jej několikrát přejděte.
- 3) Při práci se vyhněte zásuvce a napájecímu kabelu, abyste jej nepoškodili.
- 4) Pravidelně kontrolujte, zda se v odpadní nádrži netvoří pěna. Používejte čisticí prostředek, který vám doporučil prodejce. **(Poznámka: Pokud se v nádrži nahromadí příliš mnoho pěny, plovoucí kryt se nezavře, což může poškodit motor vysavače.)**
- 5) Pokud se kartáč přestane otáčet, zkontrolujte, zda se na něj něco nenamotalo. Než tak učiníte, vypojte napájecí kabel. Teprve poté překážku z kartáče odstraňte.

6) Pokud se vám naplní odpadní nádrž, či se nedostává vody v nádrži na čisticí roztok, vyprázdněte odpadní nádrž. (viz. odstavec odčerpávání nádrží)

**Obsluha stroje za použití příslušenství (Používejte pouze autorizované příslušenství či příslušenství, které vám bylo doporučeno výrobcem.)**

Na stroj lze připevnit ruční vysavač, s jehož pomocí se snadno čistí schody a čalounění. Obsluha stroje za použití ručního vysavače **(viz. F7)**

- 1) Odpojte běžnou sací hadici z kupole.
- 2) Místo běžné sací hadice na kupoli nasadte hadici ručního vysavače.
- 3) Propojte rychlospojku ručního vysavače s rychlospojku na příslušenství, kterou najdete na zadní straně stroje.
- 4) Zapněte stroj a motor vysavače / motor čerpadla na vodu.
- 5) Použijte rukojeť na ručním vysavači. Začnete tak rozstřikovat čisticí roztok.
- 6) Po čištění vypněte čerpadlo na vodu / motor vysavače a na 3 vteřiny podržte rukojeť tak, aby se veškeré trubice na rozvod čisticího roztoku vyprázdnily.

### Vypínání

- 1) Vypněte stroj, vytáhněte jej z elektřiny a odpojte napájecí kabel.
- 2) Vyprázdněte odpadní nádrž a nádrž na čisticí roztok. (viz. odstavec odčerpávání nádrží)

### Odčerpávání nádrží

#### Odčerpávání odpadní nádrže (viz. F8):

- 1) Přesuňte stroj na místo vhodné k vyprázdnění nádrže. (Nezatěžujte přitom životní prostředí)
- 2) Uchopte hadici na odčerpání vody a spusťte ji nad odpad. Otevřete její kryt a nechte vyprázdnit odpadní nádrž.
- 3) Vraťte hadici na odčerpávání vody na její místo na stroji.

#### Odčerpávání nádrže na čisticí roztok (viz. F9)

- 1) Přesuňte stroj na místo vhodné k vyprázdnění nádrže. (Nezatěžujte přitom životní prostředí)

2) Rozpojte spojku hadice a spusťte ji nad odpad, aby se nádrž na čisticí roztok vyprázdnila.

3) Napojte spojku hadice zpět na stroj.

#### Údržba stroje



**Varování: Ještě, než začnete s údržbou či opravami, vždy se ujistěte, že je stroj vypojený z elektriny. Předjedete tak možnému elektrickému šoku.**

Aby tento stroj pracoval tak, jak má, a vydržel co možná nejdéle, je nutné jej udržovat dle níže uvedených instrukcí.

#### Každodenní údržba

1) Odčerpejte vodu z odpadní nádrže a z nádrže na čisticí roztok. Obě nádrže poté vypláchněte.

2) Zkontrolujte rychlospojky a trysky. Pokud je to nutné, vyčistěte je (Poznámka: Trysky nikdy nečistěte ostrým předmětem. Stačí horká voda.) (viz. F10).

3) Vyjměte plovoucí filtr a umyjte jej ve vodě (viz. F11).

4) Zkontrolujte filtr sacího otvoru a umyjte jej ve vodě (viz. F12).

5) Zkontrolujte filtr čerpadla na vodu, který najdete na spodní straně stroje a umyjte jej ve vodě (viz. F13).

6) Zkontrolujte rotační kartáč a odstraňte z něj všechny nečistoty či vlákna koberce.



**Varování: Ještě než budete kontrolovat rotační kartáč, stroj vypněte a vypojte jej z elektrické sítě.**

7) Zkontrolujte sací hlavici a odstraňte z ní všechny nečistoty či vlákna koberce.

8) Po každém použití stroj očistěte vlhkým hadříkem.

9) Před každým použitím stroje nejprve zkontrolujte, zda napájecí, prodlužovací kabel a hadice nejsou poškozené.

#### Měsíční údržba

1) Zkontrolujte, zda rotační kartáč není opotřebený. Pokud je to nutné, vyměňte jej.

2) Zkontrolujte hadice a těsnění a ujistěte se, že nejsou poškozené. Pokud je to třeba, vyměňte je.

3) Zkontrolujte, že ze stroje neuniká voda.

4) Promažte kolečka.

5) Zkontrolujte, zda jsou všechny matky, šrouby a západky správně utaženy a že žádná z nich nechybí. Pokud je to nutné, vyměňte chybějící části.

6) Zkontrolujte klínový řemen a ujistěte se, že není opotřebený. Pokud je to třeba, vyměňte jej.

#### Instalace trysek (viz. F14)

1. Deska na trysky 2. Gumové těsnění

3. Tryska

Poté, co trysku vyčistíte, je jí třeba přidělat na desku. Nejdříve na desku správně nasadte gumové těsnění. Poté na něj přitlačte trysku a otočte o 90 stupňů tak, aby byla ve vodorovné pozici. Tímto jste dokončili instalaci.

#### Skladování

##### Skladování napájecího kabelu

1) Napájecí kabel smotejte a sepněte spojkami. Skladujte ho zaháknutý za držák k tomu určený (viz. F15).

2) Napájecí kabel můžete pro účely skladování také obtočit kolem trubice rukojeti (viz. F16).

##### Skladování stroje



**Poznámka: Ještě, než budete stroj skladovat, vyprázdněte odpadní nádrž a nádrž na čisticí roztok, aby byly čisté. Zvlášť se to hodí v případech, že teplota klesne pod nulu. Stroj skladujte pouze ve vnitřních prostorech.**

1) Stroj umístěte do svislé polohy a skladujte jej na suchém místě. Uvolněte pedál tak, aby rotační kartáč neležel na zemi (viz. F17).

2) Sklopte rukojeť na zadní straně stroje, aby zbytečně nezabírala místo (viz. F18).

3) Odejměte odpadní nádrž. Zlepší se tak cirkulace vzduchu.

**Schema zapojení viz. F19**

Technická specifikace viz. F20

Použitý materiál a možnosti recyklace viz. F2

**Řešení jednoduchých problémů**



**Poznámka: Před údržbou stroj nejdříve vypojte z elektřiny.**

Pokud řešení svého problému nenajdete v této tabulce či v případě, že se vám podle ní stroj nepodaří opravit, obraťte se na autorizované centrum zákaznické podpory.

Problém	Řešení
Stroj nefunguje	Zapojte napájecí kabel do uzemněné zásuvky Zkuste použít náhradní prodlužovací kabel
Motor vysavače nefunguje	Zapněte motor vysavače Resetujte pojistky motoru vysavače (jistič) na kontrolním panelu
Motor rotačního kartáče nefunguje	Zapněte motor rotačního kartáče Resetujte pojistky motoru rotačního kartáče (jistič) na kontrolním panelu
Nedostatečná sací síla	Zkontrolujte těsnění odpadní nádrže. Pokud je to nutné, vyčistěte jej nebo jej vyměňte
	Odčerpejte odpadní nádrž
	Ujistěte se, že je sací hadice správně zasunutá
	Zkontrolujte, zda není sací hadice poškozená. Pokud je to třeba, vyměňte ji
Trysky netryskají	Zpomalte tempo čištění
	Doplňte nádrž na čisticí roztok
	Zapněte čerpadlo na vodu
	Propláchněte trysky horkou vodou (max. 120°F/50°C)
Rotační kartáč nefunguje	Vyčistěte či vyměňte filtr na čisticí roztok, který najdete na spodní straně stroje
	Zapněte motor rotačního kartáče
	Ujistěte se, že klínový řemen není poškozený. Pokud je to třeba, vyměňte jej
	Zkontrolujte, zda je rotační kartáč správně namontován
	Zkontrolujte, zda kartáč neblokuje vlákna z koberce, nitě či další nečistoty, které by mohly bránit v jeho otáčení

**Likvidace:**



Zařízení označené přeškrtnuté Symbol pojízdné popelnice znamená, že použité elektrické a elektronické vybavení nesmí být zlikvidován spolu s domovním odpadem neoddělené. Aby se zabránilo negativním dopadům na lidské zdraví a životní prostředí musí být zařízení odděleně sebraných na určených sběrných místech.

Uživatel elektrických a elektronických zařízení pro domácnost musí používat obecní systémů sběru. Vezměte prosím na vědomí, že komerčně používané elektrické a elektronické zařízení nesmí být likvidováno prostřednictvím

komunálních sběrných schémat. Budeme rádi, že Vás informovali o vhodných možnostech likvidace.

**Wprowadzenie:** To urządzenie zapewnia inteligentne i wydajne rozwiązanie czyszczenia podłóg wykładanych wykładziną. Maszyna jest przeznaczona do użytku komercyjnego, w hotelach, szkołach, szpitalach, fabrykach, sklepach, biurach i firmach wynajmujących. Jest skonstruowany do użytku w środowisku wewnętrznym. Celem niniejszego podręcznika jest dostarczenie operatorowi niezbędnych informacji w celu prawidłowego i bezpiecznego korzystania z urządzenia. Zapoznaj się dokładnie z nimi przed przystąpieniem do jakichkolwiek czynności i konserwacji.



### Ważne instrukcje bezpieczeństwa

Maszyna musi być uziemiona podczas pracy. Aby zmniejszyć ryzyko pożaru, porażenia elektrycznego lub obrażeń, należy zwrócić uwagę na te ważne ostrzeżenia. Nieprzestrzeganie tych instrukcji bezpieczeństwa może spowodować uszkodzenie urządzenia, uszkodzenie mienia lub obrażenia ciała.

- 1) Używaj tego urządzenia tylko zgodnie z opisem w tej instrukcji. Nie używaj go w sposób niezgodny z przeznaczeniem. Używaj tylko zalecanych przez producenta akcesoriów.
- 2) Nie pozostawiaj urządzenia bez nadzoru po podłączeniu. Wyłącz wszystkie przełączniki i odłącz przewód zasilający, gdy nie jest używany i przed serwisowaniem.
- 3) Urządzenie nie jest przeznaczone do użytku przez osoby (w tym dzieci) o ograniczonych zdolnościach fizycznych, sensorycznych lub umysłowych, lub braku doświadczenia i wiedzy, chyba że otrzymały one nadzór lub instrukcje dotyczące korzystania z urządzenia przez osobę odpowiedzialną za ich używanie. bezpieczeństwa.
- 4) Jeśli urządzenie nie działa tak, jak powinno, zostało upuszczone, uszkodzone lub pozostawione na zewnątrz, należy je oddać do centrum serwisowego przed użyciem.
- 5) Unikaj porażenia elektrycznego, nie dotykaj wtyczki ani maszyny mokrymi rękami. Aby odłączyć przewód, chwyć wtyczkę. Nie ciągnij za przewód.

6) Nie należy używać przedłużaczy ani gniazd o nieodpowiedniej wydajności prądowej. Nie używać z uszkodzonym przewodem lub wtyczką. Podłącz urządzenie tylko do odpowiednio uziemionego gniazdka. Unikaj uszkodzania przewodu (zamykanie drzwi na sznurku, ciągnięcie za ostre krawędzie lub rogi, gorące powierzchnie lub bieganie po sznurku).

7) Ta maszyna wytwarza ssanie i zawiera obracającą się szczotkę. Włosy, luźne ubranie, palce i wszystkie inne części ciała należy trzymać z dala od otworów i ruchomych części. Nie wkładaj żadnych przedmiotów do żadnych otworów w urządzeniu.

8) Nie chwytaj niczego, co płonie lub pali, jak papierosy, zapalniczki lub gorący popiół.

9) Nie należy używać urządzenia do zbierania łatwopalnych lub łatwopalnych cieczy, takich jak benzyna.

10) Nie używaj w obszarach, w których występują palne i / lub wybuchowe opary lub pyły, aby uniknąć możliwości pożaru lub wybuchu. Niektóre płyny czyszczące mogą wytwarzać takie opary. Ta maszyna nie nadaje się do zbierania pyłu zagrażającego zdrowiu.

11) Zachowaj szczególną ostrożność podczas sprzątania na schodach.

12) Nie używaj urządzenia na zewnątrz.

13) Przechowuj urządzenie w wentylowanym, suchym miejscu.

### Rozpakowywanie

Po dostarczeniu urządzenia należy uważnie sprawdzić karton i urządzenie transportowe pod kątem uszkodzeń. Jeśli jakiegokolwiek uszkodzenie, powiadomić przewoźnika o szkodzie i przed przyjęciem towaru, zastrzegamy sobie prawo do odszkodowania za szkody.

Opakowanie kartonowe zawiera następujące elementy:

Spis treści (**patrz F1**):

- Wyciąg dywanowy
- But próżniowy
- Szczotka walcowa
- Kabel przedłużający 50'

### Dane identyfikacyjne maszyny

Numer seryjny urządzenia i nazwa modelu są oznaczone na etykiecie seryjnej.

Ta informacja jest przydatna. Użyj poniższej tabeli, aby zapisać dane identyfikacyjne maszyny, gdy wymagane są części zamienne do urządzenia.

Model maszyny.....

Numer seryjny urządzenia.....

**Elementy maszyny (patrz strona 2)**

1. przełącznik trybu natryskowego 2. hak kabla zasilającego 3. przewód zasilający 4. rura uchwytna (nierdzewna) 5. zbiornik roztworu 6. tylne koło 7. podstawa maszyny 8. pedał "Kickstand" 9. pokrętło regulacji wysokości podstawy 10. pokrętło próżni buta 11. podłączenie węża ssącego 12. nasadka 13. króciec napełniający 14. Logo szczęki 15. kłapa próżniowa 16. pulpit sterowniczy 17. narzędzie ręczne (opcjonalnie) 18. dysza natryskowa narzędzia ręcznego 19. szybkozłączne narzędzia ręczne 20. uchwyt zaworu rękojści 21. Węże podciśnieniowe do narzędzi ręcznych 22. zacisk kablowy 23. panel podstawy 24. pokrętło regulujące uchwyt 25. zacisk węża 26. złącze przewodu celownika 27. celownik 28. wąż próżniowy 29. wąż spustowy zbiornika odzyskującego 30. wyposażenie dodatkowe szybkozłączka 31. filtr roztworu 32. trzon 33. Uchwyt "Stopka" 34. podstawa dyszy 35. dysza natryskowa 36. płytki ścierająca 37. Nakrętka "Kickstand" 38. śruba montażowa urządzenia 39. szczotka walcowa 40. szczotka walcowa 41. szczeka kopułkowa 42. zbiornik odzysku 43. pokrywa filtra pływakowego 44. pokrywa pływakowego 45. filtr piankowy 46. uchwyt filtra pływakowego 47. Zatoczką paska klinowego  
Instalacja szczotki i szczotki walcowej  
Montaż butów próżniowych (patrz F2):

- 1) Najpierw ustaw maszynę pionowo na podłodze.
- 2) Podnieś gałkę buta próżniowego.
- 3) Włóż but próżniowy do węża ssącego i podstawy montażowej w prawidłowej pozycji.
- 4) Zwolnij pokrętło buta próżniowego.
- 5) Odciągnij but próżniowy, jeśli się nie porusza, instalacja zostanie zakończona.

**Montaż szczotki walcowej (patrz F3):**

- 1) Ustaw maszynę w pozycji bocznej.
- 2) Zamontuj jedną stronę szczotki walcowej ze szczeliną pozycjonującą do stojaka montażowego łożyska i naciśnij drugą stroną uchwyt szczotki walcowej. Wskazówka: Najpierw ściśnij jedną stronę szczotki i upewnij się, że koniec z rowkiem został

zainstalowany na miejscu, a następnie zainstaluj drugą stronę.

3) Jeśli szczotka walcująca obraca się płynnie, instalacja jest zakończona.

**Kierunek ruchu i regulacja wysokości szczotki do odkurzacza / szczotki rolkowej  
Regulacja kierunku kłamki (patrz F4)**

- 1) Urządzenie może regulować wysokość kłamki odpowiednio do wzrostu jej sylwetki lub zwyczaju obsługi.
- 2) Trzymając pokrętło regulacji rękojści i obracając w przeciwnym kierunku, poluzuj uchwyt.
- 3) Ustaw uchwyt w odpowiedniej pozycji i dokręć pokrętło.

**Regulacja szczotki do odkurzania / toczenia**

Gdy maszyna pracująca w różnych stosach dywanu lub szczotki walcowniczej ma określoną ilość zużycia, operatorzy mogą zwiększyć wydajność czyszczenia maszyny, regulując wysokość buta próżniowego i szczotki walcowej (patrz F5).

- 1) Etykieta prędkości jazdy maszyny (0 → MAX oznacza prędkość maszyny od wolnego do szybkiego).
- 2) Etykieta ciśnienia szczotki rolkowej (- → + Wskazuje, że nacisk na szczotkę zwiększa się).
- 3) Pokrętło regulacji obuwia próżniowego. Trzymając pokrętło regulacji próżniowego buta i obracając je w tym samym kierunku, przesunąć but podciśnieniowy w górę lub w dół do odpowiedniej pozycji.


**Panel sterowania (patrz F6).**

1. Wyłącznik zasilania 2. Przełącznik pompy wody 3. Wyłącznik silnika podciśnieniowego 4. Bezpiecznik dla silnika szczotki walcowej 5. Bezpiecznik dla silnika próżniowego

**Działanie maszyny****Przed działaniem**

- 1) Sprawdź kabel zasilający i przedłużający pod kątem uszkodzeń. Wymień kabel, jeśli znaleziono uszkodzenie.
- 2) Odkurz obszar, który ma być wyczyszczony, aby usunąć większość stałych zanieczyszczeń przed użyciem urządzenia do czyszczenia.

**Działanie**

 **Ostrzeżenie: Nie pozwól, aby przewód stykał się z obracającymi się szczotkami.**

- 1) Za pomocą węża lub wiadra napełnij zbiornik roztworu gorącą wodą. (maks.

- 120 °F/ 50 °C, wydajność 9 Gal./35 L).
- 2) Dodaj zalecany detergent dystrybutora.
- 3) Podłącz dostarczony przedłużacz do urządzenia. Podłącz przewód do uziemionego gniazda ściennego.
- 4) Włącz przełącznik zasilania i przełącznik podciśnienia / pompy.
- 5) Aby rozpocząć czyszczenie, naciśnij przełącznik trybu natryskowego i zacznij ciągnąć maszynę do tyłu. (Uwaga: urządzenie będzie rozpylać tylko po włączeniu przełącznika pompy i naciśnięciu przełącznika trybu natryskowego.)
- 6) Zwolnij przycisk spryskiwania na końcu ścieżki i kontynuuj ciągnięcie maszyny do tyłu, aby pobrać nadmiar roztworu.
- 7) Przetaw maszynę z powrotem na koła transportowe i pchnij do przodu, aby rozpocząć następną ścieżkę.



#### **Wskazówki dotyczące czyszczenia:**

- 1) Przebiegnij po powierzchni, aby oczyścić ją w zachodzących na siebie ścieżkach.
- 2) Pozwól namoczyć roztwór detergentu przez 5 do 10 minut na silnie zabrudzonych miejscach i powtórz czyszczenie kilkakrotnie.
- 3) Pracuj z dala od gniazdka i kabla zasilającego, aby uniknąć uszkodzenia kabla zasilającego.
- 4) Należy ciągle sprawdzać, czy w zbiorniku odzyskanym nie gromadzi się pianka. Użyj zalecanego przez dystrybutora rozwiązania w zakresie kontroli piany. **(Uwaga: Nadmierna nagromadzona pianka nie uruchomi wyłączenia pływaka i może spowodować uszkodzenie silnika podciśnieniowego).**
- 5) Jeśli szczotka przestanie się obracać, może pojawić się niedrożność szczotki. Odłącz kabel zasilający, sprawdź szczotki i usuń przeszkodę.
- 6) Gdy zbiornik odzysku jest pełny lub zbiornik roztworu jest pusty, należy opróżnić zbiornik odzyskiwania. (patrz zbiornik opróżniania)

#### **Obsługa za pomocą narzędzi dodatkowych (należy używać tylko zalecanych / autoryzowanych części i akcesoriów).**

Do czyszczenia tapicerki i schodów można przymocować opcjonalne narzędzie ręczne. Obsługa za pomocą narzędzia **ręcznego (patrz F7):**

- 1) Odłącz normalny wąż próżniowy od kopuły.
- 2) Włóż dodatkowy wąż próżniowy do kopuły, zamiast do zwykłego węża próżniowego.
- 3) Podłącz szybkozłęczące akcesoriów do szybkozłęczacza znajdującego się z tyłu urządzenia.
- 4) Włącz przełącznik zasilania i przełącznik pompy silnika / pompy próżniowej.
- 5) Za pomocą dźwigni na narzędziu ręcznym spryskaj roztwór detergentu.
- 6) Po zakończeniu czyszczenia wyłącz przełącznik pompy wodnej / silnika próżniowego, a następnie naciśnij spust przez 3 sekundy, aby uwolnić ciśnienie wody z przewodów roztworu.

#### **Wyłączenie**

- 1) Wyłącz urządzenie, odłącz i odłącz kabel zasilający.
- 2) Opróżnij zbiornik odzysku i zbiornik roztworu. (patrz Drenowanie zbiorników)

#### **Opróżnianie zbiorników**

##### **Opróżnianie zbiornika odzysku (patrz F8):**

- 1) Przenieś maszynę do odpowiedniego miejsca opróżniania. (Proszę wziąć pod uwagę otoczenie)
- 2) Przytrzymaj wąż spustowy zbiornika regeneracyjnego i opuść nad odpływem. Otwórz pokrywę węża spustowego do opróżniania zbiornika odzysku.
- 3) Wymień wąż spustowy na maszynę.

##### **Zbiornik roztworu opróżniającego (patrz F9):**

- 1) Przenieś maszynę do odpowiedniego miejsca opróżniania. (Proszę wziąć pod uwagę otoczenie)
- 2) Odłącz złącze węża i opuść wąż do opróżniania zbiornika roztworu.
- 3) Połącz złącze węża z powrotem z maszyną.

#### **Konserwacja maszyny**



**Ostrzeżenie: Aby uniknąć ryzyka porażenia prądem elektrycznym, zawsze upewnij się, że urządzenie jest odłączone od zasilania przed wykonaniem jakichkolwiek czynności konserwacyjnych lub napraw.**

Aby utrzymać wydajność maszyny i przedłużyć jej żywotność, należy wykonać następujące czynności konserwacyjne.

### Codzienna konserwacja

- 1) Opróżnij i przepłucz zbiornik odzysku i zbiornik roztworu.
- 2) Sprawdź szybkozłączka i dysze. Czyść w razie potrzeby (Uwaga: Nigdy nie używaj spiczastego przedmiotu do czyszczenia dysz, tylko płucz je gorącą wodą) (**patrz F10**).
- 3) Wyjmij filtr spustowy ze zbiornika regeneracyjnego i wyczyść go wodą (**patrz F11**).
- 4) Sprawdź filtr portu napełniania i wyczyść go wodą (**patrz F12**).
- 5) Sprawdź filtr pompy wody pod maszyną i wyczyść go wodą (**patrz F13**).
- 6) Sprawdź szczotki walcowe i usuń wszelkie zanieczyszczenia lub włókna dywanu.



**Ostrzeżenie: Przed sprawdzeniem szczotki walcowej wyłącz przełącznik zasilania i odłącz wtyczkę sieciową.**

- 7) Sprawdź but próżniowy i usuń wszelkie zanieczyszczenia lub włókna dywanu.
- 8) Oczyszcz maszynę miękką po użyciu.
- 9) Przed każdym użyciem maszyny sprawdź kabel zasilający, przedłużacz i wężę pod kątem uszkodzeń.

### Comiesięczna konserwacja

- 1) Sprawdź szczotki walcowe pod kątem zużycia. Wymień w razie potrzeby.
- 2) Sprawdź wężę i uszczelki, aby sprawdzić, czy nie ma uszkodzeń. Wymień w razie potrzeby.
- 3) Sprawdź maszynę pod kątem wycieków wody.
- 4) Nasmaruj koła.
- 5) Sprawdź maszynę pod kątem luźnych lub brakujących nakrętek, śrub, śrub i wymień w razie potrzeby.
- 6) Sprawdź pasek klinowy pod kątem zużycia. Wymień w razie potrzeby.

### Montaż dysz (patrz F14).

1. podstawa dyszy 2. gumowy pierścień uszczelniający
  3. Rozpyl końcówkę dyszy
- Po oczyszczeniu dyszy należy zainstalować dyszę na podstawie. Najpierw zamontuj gumowy pierścień w prawidłowej pozycji, a następnie naciśnij i obróć dyszę, aby ustawić dyszę w 90 stopniach w kierunku poziomym, instalacja została zakończona.

### Przechowywanie

#### Przechowywanie przewodu zasilającego

- 1) wiązać przewód zasilający za pomocą opasek kablowych i przechowywać na zaczepie kabla zasilającego (**patrz F15**).
- 2) Kabel zasilający można również owinąć wokół rury rękojeści (**patrz F16**).

#### Przechowywanie maszyny



**Uwaga: Opróżnij zbiornik odzysku i zbiornik roztworu przed przechowywaniem maszyny, aby zachować świeżość zbiorników, aw przypadku temperatur ujemnych. To urządzenie powinno być przechowywane tylko w pomieszczeniach zamkniętych.**

- 1) Przechowuj maszynę w pozycji pionowej w suchym miejscu i naciśnij pedał, aby utrzymać szczotkę z podłogi (**patrz F17**).
- 2) Włóż uchwyt z tyłu urządzenia, aby zmniejszyć przestrzeń do przechowywania (**patrz F18**).
- 3) Zdejmij kopułę zbiornika odzysku, aby umożliwić cyrkulację powietrza.

#### Schemat połączeń patrz F19

**Specyfikacje techniczne odnoszą się do F20  
Skład materiału maszyny i możliwość recyklingu odnoszą się do F21**

### Podstawowe rozwiązywanie problemów



**Ogłoszenie; Odłącz wtyczkę sieciową przed wykonaniem jakichkolwiek czynności konserwacyjnych.**

Jeśli problemy nie zostały wymienione w tej tabeli lub urządzenie nadal nie działa prawidłowo, skontaktuj się z autoryzowanym serwisem klienta w celu uzyskania pomocy.



Problem	Rozwiązanie
Maszyna nie działa w ogóle	Podłącz przewód zasilający do uziemionego gniazdka
	Spróbuj zastępczego przedłużacza kabla zasilającego
Silnik próżniowy nie działa	Włącz przełącznik silnika próżni
	Zresetuj bezpiecznik podciśnieniowy (wyłącznik automatyczny) na panelu sterowania
Silnik szczotki rolkowej nie działa	Włącz przełącznik silnika szczotek walcowych
	Zresetuj bezpiecznik ochronny silnika szczotki walcowej (wyłącznik automatyczny) na panelu sterowania
Niewystarczająca wydajność próżni	Sprawdź pierścień uszczelniający zbiornika regeneracyjnego, wyczyść lub wymień, jeśli to konieczne
	Opróżnij zbiornik odzyskiwania
	Upewnij się, że wąż ssący jest włożony
	Sprawdź wąż próżniowy, jeśli jakiegokolwiek uszkodzenie, w razie potrzeby wymień
	Zwalniaj proces czyszczenia
Brak strumienia wody z dyszy	Ponownie napełnij zbiornik roztworu
	Włącz przełącznik pompy wodnej
	Przeplucz dyszę gorącą wodą (maks. 120 ° F / 50 ° C)
	Wyczyść lub wymień filtr roztworu na spodzie urządzenia
Szczotka rolkowa nie działa	Włącz przełącznik silnika szczotki rolkowej
	Sprawdź pasek klinowy, jeśli jakiegokolwiek uszkodzenie, w razie potrzeby wymień
	Sprawdź zespół szczotki rolkowej
	Sprawdź szczotki wałka pod kątem włókien dywanu, nici lub gruzu, które uniemożliwiają prawidłowe obracanie się szczotki.

### Sprzedaż:



Urządzenia oznaczone symbolem przekreślonego kosza na śmieci symbol wskazuje, że używane urządzenia elektryczne i elektroniczne nie powinny być odrzucane wraz z nierozdzielonych odpadów domowych. Aby uniknąć negatywnych skutków dla zdrowia ludzkiego i środowiska, sprzęt musi być zbierany selektywnie w wyznaczonych punktach zbiórki.

Użytkownicy sprzętu elektrycznego i elektronicznego z gospodarstw domowych muszą korzystać z systemów zbierania odpadów komunalnych.

Należy pamiętać, że stosowane komercyjnie sprzęt elektryczny i elektroniczny nie powinien być usuwany za pomocą systemów zbiórki komunalnych. Będzie nam bardzo miło poinformować Państwa o odpowiednich opcji utylizacji.



**Bevezetés:** Ez a készülék ügyes és hatékony szőnyegtisztítást kínál. A készülék kereskedelmi célokra szolgál, szállodákban, iskolákban, kórházakban, gyárakban, üzletekben, irodákban és kölcsönző vállalkozásokban. Beltéri környezetben való használatra készült. A jelen kézikönyv célja, hogy a gép üzemeltetőjét ellátsa a szükséges információkkal a gép megfelelő és biztonságos használatához. Olvassa el alaposan, mielőtt bármilyen műveletet és karbantartást végrehajtana.



### **Fontos biztonsági utasítások**

A gépet használatkor földelni kell. Tűz, áramütés vagy sérülés kockázatának csökkentése érdekében ügyeljen ezekre a fontos figyelmeztetésekre. A biztonsági utasítások be nem tartása a gép károsodásához, vagyoni kárhoz vagy testi sérüléshez vezethet.

- 1) A készüléket csak a kézikönyvben leírt módon használja. Csak a gyártó által ajánlott tartozékokat használja.
- 2) Ha a gép áram alatt van ne hagyja felügyelet nélkül. Ha a gépet nem használja, vagy szervizelés előtt áll kapcsolja ki az összes gombot, és húzza ki a tápkábelt az elektromos hálózathoz.
- 3) A készüléket nem használhatják csökkent fizikai, szellemi képességű személyek (beleértve a gyermekeket is), illetve a megfelelő tapasztalattal és tudással nem rendelkező személyek, kivéve, ha felügyelet alatt vannak, vagy ha a felügyeletüket biztosító személy által el vannak látva a gép megfelelő használatához szükséges utasításokkal.
- 4) Ha a készülék nem működik megfelelően, vagy károsodott, esetleg kint volt hagyva, vigye vissza a márkaszervizbe.
- 5) Kerülje az áramütést, ne fogja meg a dugót vagy a gépet nedves kézzel. A tápkábel

kihúzásához a dugót fogja meg. Ne húzza meg a kábelt.

6) Csak megfelelő kimenetet, és hosszabítót használjon. Ne használjon sérült kábelt vagy dugót. Csak egy megfelelően földelt csatlakozóhoz csatlakoztassa a készüléket.

Óvja a tápkábelt a sérülésektől (ajtot rácsukni, éles tárgyakon, sarkakon, forró felületen áthúzni, vagy a gépet áttolni a kábelon).

7) A gépben szívóerő keletkezik és forgó kefék tartalmaz. Tartsa távol a haját, a laza ruhát, az ujjait és a test minden más részét a nyílásoktól és a mozgó részekről.

8) Ne helyezzen semmilyen tárgyat a készülék bármely nyílásába. Vigyázzon, hogy a gép ne szedjen fel semmilyen égő, vagy füstölő tárgyat mint a cigaretta, gyufa, hamu.

9) A gépet ne használja gyúlékony, vagy tűzveszélyes folyadékkal szennyezett szőnyeg tisztítására.

10) Ne használja olyan helyen, ahol gyúlékony és / vagy robbanásveszélyes gáz vagy por van jelen. Néhány tisztítófolyadék képes ilyen gázokat kibocsátani. Ez a gép nem alkalmas olyan szőnyeg tisztítására, ahol egészséget veszélyeztető por van.

11) Különösen legyen óvatos lépcsők tisztításakor.

12) Ne használja a gépet kint.

13) A gépet jól szellőztetett, száraz helyen tárolja.

### **Kicsomagolás**

A termék kiszállításakor, gondosan nézze át a csomagolást, hogy az sértetlen-e. Ha károsodást észlel, azonnal tudassa a futárral, és mielőtt átvénné a terméket tudassa a fuvarozóval kártérítési jogai fenntartását. A csomagolás a következőket tartalmazza:

**Tartalom (lásd F1):**

- Szőnyegtisztító gép
- Vákuum cipő
- Forgókefe
- 50' hosszabbító tápkábel

**Gépezonosító adatok**

A gép szériaszáma és a modell neve a címkén szerepel.

Ez az információ hasznos. Az alábbi táblázatban írja le a gép azonosítási adatait, amikor a gép alkatrészeit igényli.

Készülék modell .....
Készülék szériaszáma .....

**Gépalkatrészek (lásd a 2. oldalon)**

1. spray mód gomb 2. tápkábel horog 3. hálózati kábel 4. fogantyú (rozsdamentes) 5. tisztítóoldat tartály 6. hátsó kerék 7. Gép aljzat 8. "kickstand" pedál 9. alpmagasság állító gomb 10. tisztítófej gomb 11. vákuum tömlő bemenet 12. fedél 13. töltőnyílás 14. viper logo 15. Vákuumsaru 16. kezelőpanel 17. kéziszerszám (opcionális) 18. kéziszerszám szórófej 19. kiegészítőszerszám gyorscsatlakozó 20. kiegészítőszerszám cső fogantyú 21. kéziszerszám vákuumtömlő 22. kábel bilincs 23. alaplap 24. fogantyú állító gomb 25. tömlőcsatlakozó 26. Átlátszó cső csatlakozó 27. Átlátszó cső 28. vákuumtömlő 29. gyújtótartály ürítőcső 30. Kiegészítő szerszámok- gyorscsatlakozó 31. oldatszűrő 32. tengely 33. "Kickstand" géptartó 34. szórófej aljzat 35. szórófej 36. védőlemez 37. "Kickstand" anyacsavar 38. gécsavar 39. Görgő 40. görgőtartó 41. visszanyerő tartály fedél 42. gyújtótartály 43. Vákuumbeszívó-szűrő fedele 44. Vákuumbeszívó fedél 45. habszűrő 46. Vákuumbeszívó-szűrő tartó 47. ékszíjfedél

**Vákuum saru és görgő felszerelése (lásd 2. Oldal)**

- 1) Először állítsa a gépet függőleges helyzetbe.
- 2) Húzza fel a vákuumsaru-kart.
- 3) Helyezze a vákuumsarut a szívótömlőbe, és a rögzítő aljzatot a megfelelő pozícióba.
- 4) Engedje vissza a vákuumsaru-kart.
- 5) Húzza vissza a vákuumsarut, ha nem

mozog, akkor a felszerelés kész.

**Görgő felszerelése (lásd 3):**

- 1) Fordítsa a gépet az oldalára.
- 2) Helyezze a görgő egyik oldalát a nyílásba csatlakoztassa a meghajtóagyhoz, és nyomja a másik oldalon a súrolókefe tartóhoz. Tipp: Először csatlakoztassa az egyik görgőt, ellenőrizze, hogy megfelelően behelyezte a meghajtóagyba, aztán szerelje fel a másikat.
- 3) Ha a súrolókefe simán forog, kész a szerelés.

**Irányítható fogantyú beállítása****görgő/forgókefe magasságának beállítása (lásd F4)**

- 1) A fogantyú magassága állítható a gép kényelmes működtetése érdekében.
- 2) Tartsa a fogantyúállító kart, és fordítsa az ellenkező irányba.
- 3) Állítsa a fogantyút a megfelelő pozícióba, és nyomja vissza a kart.

**Vákuum cipő / forgókefe beállítása**

Különböző típusú szőnyegek esetén, vagy a kefe bizonyos mértékű elhasználódása esetén, lehet növelni a gép tisztítási teljesítményét a vákuumsaru és a kefe magasságának beállításával **(lásd F5)**..

- 1) Gép haladási sebesség kijelző (0 → MAX a gép sebességét mutatja, lassútól a gyorsig).
- 2) Forgókefe nyomáskijelző (- → + A kefe nyomásnövekedését jelzi).
- 3) Vákuumsaru állítókar.

Húzza meg az állítókart és forgatja ugyanabba az irányba, mozgassa a vákuumsarut le vagy föl, a megfelelő pozícióba.

**Kijelző (lásd F6).**

1. Főkapcsoló 2. Vízzivattyú kapcsoló
3. Szívómotor-kapcsoló 4. Forgókefe-motor boztosítók 5. Szívómotor biztosíték

**Gépkezelés****Használat előtt**

- 1) Győződjön meg róla, hogy a tápkábel, és a hiszabitókábel, nincs megsérülve, ha igen cserélje ki.

2) A szilárd törmelék nagyobb részét porszívózza fel, mielőtt használja a gépet.

### Működtetés



**Figyelem: ügyeljen arra, hogy a tápkábel ne kerüljön érintkezésbe a forgókefével**

1) Tömlő, vagy kanna segítségével töltsze fel a tartályt vízzel. (max. 120°F/50°C, űrtartalom 9 Gal./35L).

2) Adja hozzá a forgalmazó által javasolt tisztítószeret.

3) Csatlakoztassa a gyártótól kapott tápkábelt a géphez. Csatlakoztassa a tápvezetéket a földelt falijzatba.

4) Kapcsolja be a főkapcsolót, és a szívómotor kapcsolót.

5) A tisztításhoz kapcsolja be spray mód kapcsolót, és húzza a gépet hátrafele. (megjegyzés: a készülék csak akkor fog spray módban működni, ha szívómotor, és a spray mód be van kapcsolva.)

6) A tisztított szakasz végén engedje kapcsolja ki a spray módot, és húzza a gépet vissza a felesleges oldat felszedéséhez.

7) Csúsztassa a gépet a szállító kerekre és tolja előre a következő szakasz tisztításához.



**Tipp a tisztításhoz:**

1) Menjen át az egészen megegyeszer úgy, hogy az egész szakasz legyen átfedve.

2) Az erősen szennyezett részekben hagyja az odlatot ázni 5-10 percig, és tisztítsa át többször a felületet.

3) Dolgozzon minél messzebb a tápegységtől, és a kábeltől, hogy elkerülje a hálózati kábel sérülését.

4) Folyamatosan ellenőrizze a habképződést a gyűjtőtartályban. Használjon a forgalmazó által javasolt habzsfékező oldatot.

**(Megjegyzés: Túlzott habképződés esetén nem lép működésbe a vákuumbeszívó kikapcsoló, ami a szívómotor meghibásodásához vezethet).**

5) Ha a forgókefe leáll, valami akadály került oda. Húzza ki a tápvezetéket, ellenőrizze le a keféket, és távolítsa el az akadályt.

6) Ha a gyűjtőtartály tele van, vagy a tisztítóoldat-tartály üres, ürítse ki a gyűjtőtartályt. (lásd: leeresztőtartály)

**Kiegészítő szerszámok működtetése (kizárólag ajánlott, rendszeresített szerszámokat, tartozékokat lehet használni).**

Kárpitok, és lépcsők tisztítására egy választható tartozékot használhat. Kiegészítő szerszámok használata **(lásd F7):**

1) Válassza le a normál vákuumcsövet a kupulából.

2) A normál vákuumtömlő helyett helyezze be a kiegészítő vákuumcsövet a kupulába.

3) Csatlakoztassa a kiegészítő konnektort a gép hátulján található kiegészítő gyorscsatlakozóhoz.

4) Kapcsolja be a főkapcsolót, és a szívómotor kapcsolót.

5) Használja a kiegészítő szerszám kart tisztítóoldat szétpermetezéséhez.

6) Amikor a tisztítás befejeződött, kapcsolja ki a szivattyúmotort, majd nyomja le a kart 3 másodpercig, hogy lecsökkentse a víznyomást.

### Lekapcsolás

1) Kapcsolja le a gépet, húzza ki a tápkábelt.

2) Ürítse ki a gyűjtőtartályt, és a tisztítóoldat-tartályt. (lásd tartályok kiürítése)

### Tartályok kiürítése

**Gyűjtőtartály kiürítése (lásd F8):**

1) Vigye a gépet egy kiürítésre megfelelő helyre (kérjük vegye figyelembe a környezetet).

2) Tartsa az ürítőcsövet a, és engedje le az elvezető fölé. Nyissa ki a leeresztő tömlő fedelét a tartály ürítéséhez.

3) Cserélje ki a leeresztő csövet a gépre.

**Tisztítóoldat-tartály kiürítése (lásd F9):**

1) Vigye a gépet egy kiürítésre megfelelő helyre (kérjük vegye figyelembe a környezetet).

2) Vegye le a tömlőcsatlakozót, hajtja le a

tömlőt az ürtítéshez.

3) Csatlakoztassa újra a tömlőcsatlakozót.

#### A gép karbantartása



**Figyelem: Az áramütés elkerülése miatt mindig bizonyosodjon meg róla, hogy a gép ki van húzva az áramból, mielőtt akármilyen javítást, vagy karbantartást végezne a gépen.**

A gép jó működése és az élettartam meghosszabbítása érdekében tartsa be az alábbi karbantartási eljárásokat.

#### Napi karbantartás

- 1) Ürtítse,-és öblítse ki a gyűjtő-és tisztítóoldat tartályt.
- 2) Ellenőrizze a gyorscsatlakozókat, és porlasztókat. Szükség esetén tisztítsa (Megjegyzés: Soha ne használjon éles tárgyat a porlasztók tisztításához,cask öblítse le meleg vízzel) **(lásd F10).**
- 3) Távolítsa el a vákuumbeszívó szűrőt, és tisztítsa meg vízzel **(lásd F11).**
- 4) Ellenőrizze a töltőszűrőt, és tisztítsa meg vízzel **(lásd F12).**
- 5) Ellenőrizze a szívómotor szűrőt a gép alján, és tisztítsa vízzel **(lásd F13).**
- 6) Ellenőrizze a forgókefét, távolítson el minden szennyeződést, szőnyegdarabot.



**Figyelem: Kapcsolja ki a gépet, húzza ki az áramból mielőtt ellenőrzi a kefét.**

- 7) Ellenőrizze a vákuumsarut, távolítson el minden szennyeződést, és szőnyegdarabot.
- 8) Tisztítsa meg a gépet használat után.
- 9) Ellenőrizze a hálózati kábelt, hosszabítókábel minden használat előtt.

#### Havi karbantartás

- 1) Ellenőrizze a kefe elhasználódását, szükség esetén cserélje ki.
- 2) Ellenőrizze a tömlőket, tömítéseket, szükség esetén cserélje ki.

- 3) Ellenprizze a gépet nem –e szivároog a víz.
- 4) Olajozza be a kerekeket.
- 5) Ellenőrizze le a gépet, nem-e hiányzik csavar.
- 6) Ellenőrizze az ékszíjat. Ha elhasználódott cserélje ki.

#### Porlasztó fúvóka felszerelése (lásd F14).

1. fúvóka váz 2. gumi tömitőgyűrű
3. porlasztófej

A fúvóka tisztítása után rászerejlük a vázra.

Először helyezze rá megfelelően a gumi tömitőgyűrűt, nyomja le a fúvókát, csavarja el vízszintesen 90 fokban. Kész a szerelés.

#### Raktározás

##### Kábel raktározása

- 1) Kösse össze a kábelt kábelkötözővel, és akasztja fel kampóra **(lásd F15).**
- 2) A kábelt a fogantyú köré is feltekerhetjük **(lásd F16).**

##### A gép tárolása



**Megjegyzés: A tartály tárolása előtt ürítse ki a gyűjtőtartályt és a tisztítóoldattartályt, hogy a tartályokat friss állapotban tartsa és fagyponat alatti hőmérséklet esetére. Ezt a gépet csak zárt helyen tárolja.**

- 1) A gépet álló helyzetben tárolja száraz helyen, és engedje le a pedált, hogy a forgó kefe a padlón legyen **(lásd F17).**
- 2) Hajtsa össze a fogantyút a kisebb tárolási hely végett **(lásd F18).**
- 3) Távolítsa el a gyűjtőtartály fedelét a job szellőzés érdekében.

#### Bekötési rajz lásd F19

#### Műszaki adatok lásd F20

#### A gépi anyag összetétele és újrahasznosíthatósága lásd F21

### Alapvető hibaelhárítás



**Megjegyzés: A karbantartás elvégzése előtt húzza ki a hálózati csatlakozót.**

Ha az Ön problémái nem szerepelnek ebben a táblázatban, vagy a készülék még mindig nem működik megfelelően, kérjen segítséget a felhatalmazott ügyfélszolgálattól.

Hiba	Ellenintézkedés
A gép egyáltalán nem működik	Csatlakoztassa a tápkábelt egy földelt aljzatba
	Cserélje ki a hosszabító kábelt
A szivattyú nem működik	Kapcsolja be a szivattyú motor kapcsolóját
	Állítsa vissza a vákuum motorvédő biztosítékot (Áramköri megszakító) a kezelőpanelen
A forgókefe motor nem működik	Kapcsolja be a forgókefe motorját
	Állítsa vissza a forgókefe-motorvédő biztosítékot (Áramköri megszakító) a kezelőpanelen
Elégtelen vákuumteljesítmény	Ellenőrizze a gyűjtőtartály gumitömítőgyűrűjét, ha kell cserélje ki.
	Üritse ki a gűjtőtartályt.
	Ellenőrizze, hogy a vákuumtömlő megfelelően van-e rögzítve
	Ellenőrizze a vákuumtömlőt, ha sérült cserélje ki.
A porlasztó nem működik	Lassabban végezze a tisztítást
	Töltse fel a tisztítóoldat tartályt.
	Kapcsolja be a szivattyúmotort.
	Öblítse le a porlasztót meleg vízzel (max. 120°F/50°C)
A forgókefe nem forog	Tisztítsa ki, vagy cserélje ki az tisztítószerszert.
	Kapcsolja be a forgókefe motorját.
	Ellenőrizze az ékszíjat, károsodás esetén cserélje ki.
	Ellenőrizze hogy a forgókefe megfelelően van e felszerelve.
A forgókefe nem forog	Ellenőrizze a forgókefét, nincs-e szennyeződés, szőnyegdarab rajta, ami megakadályozná a megfelelő működésben.

### Megsemmisítésre:



Felszerelés jelölt áthúzott kerekes kuka szimbólum azt jelzi, hogy a használt elektromos és elektronikus berendezések nem kell dobni együtt bontatlan háztartási hulladékkal. Ahhoz, hogy elkerüljük a negatív hatást gyakorolhat az emberi egészségre és a környezetre a berendezés külön kell gyűjteni a kijelölt gyűjtőhelyre.

Az elektromos és elektronikus háztartási készülékek felhasználói kötelesek az önkormányzati gyűjtési rendszereket használni. Kérjük, vegye figyelembe, hogy a kereskedelmi forgalomban kapható elektromos és elektronikus

berendezéseket nem szabad az önkormányzati gyűjtési rendszereken keresztül értékesíteni.

Örömmel tájékoztatjuk Önöket megfelelő ártalmatlanítási lehetőségekre.

**Introducere:** Acest dispozitiv oferă o soluție de curățare inteligentă și eficientă pentru podelele mochetate. Aparatul este destinat uzului comercial, pentru hoteluri, școli, spitale, instituții, magazine, birouri și locații închiriate. Este proiectat pentru utilizare în spații interioare. Scopul acestui manual este de a oferi operatorului informațiile necesare pentru a utiliza aparatul în mod corespunzător și în siguranță. Citiți cu atenție înainte de a efectua orice operațiune și întreținere.

### **Instrucțiuni de siguranță importante**

Aparatul trebuie să fie împământat în timpul funcționării. Pentru a reduce riscul de incendiu, șoc electric sau rănire, atenție la aceste avertismente importante. Nerespectarea acestor instrucțiuni de siguranță poate duce la deteriorarea dispozitivului, deteriorarea proprietății sau vătămarea corporală.

- 1) Utilizați acest aparat numai în modul descris în acest manual. Nu îl folosiți în moduri pentru care nu a fost proiectat. Utilizați numai accesoriile recomandate de producător.
- 2) Nu lăsați aparatul nesupravegheat când este conectat. Oprii toate întrerupătoarele și deconectați cablul electric atunci când nu îl folosiți și înainte de a-l supune unor reparații.
- 3) Aparatul nu este destinat utilizării de către persoane (inclusiv copii) cu capacități fizice, senzoriale sau mentale reduse ori lipsite de experiență și cunoștințe, cu excepția cazului în care au fost supravegheate sau instruite cu privire la utilizare, de către o persoană responsabilă pentru Siguranță.
- 4) Dacă aparatul nu funcționează așa cum ar trebui, a fost aruncat, deteriorat sau lăsat în aer liber, înainte de a-l utiliza, verificați-l la un centru de service.
- 5) Evitați șocurile electrice, nu manipulați ștecherul sau aparatul cu mâinile ude. Pentru a deconecta cablul, prindeți ștecherul. Nu trageți de cablu.
- 6) Nu utilizați prelungitoare sau triplu ștechere cu o capacitate de încărcare inadecvată. Nu utilizați cablul sau ștecherul

deteriorat. Conectați aparatul numai la o priză cu împământare corect legată. Evitați deteriorarea cablului (prin închiderea ușilor peste cablu, folosirea lui pe suprafețe ascuțite sau fierbinți ori rularea aparatului pe deasupra cablului).

- 7) Acest dispozitiv funcționează prin aspirație și conține o perie rotativă. Aveți grijă ca părul, îmbrăcămintea, degetele și toate celelalte părți ale corpului să nu se apropie de deschiderile și părțile în mișcare. Nu introduceți niciun obiect în nici unul dintre orificiile din aparat.
- 8) Nu aspirați nimic care arde sau fumează, cum ar fi țigări, chibrituri sau cenușă caldă.
- 9) Nu utilizați aparatul pentru a trage lichide inflamabile sau combustibile, cum ar fi benzina.
- 10) Nu utilizați în zonele unde există vapori sau praf inflamabil și / sau exploziv, pentru a evita posibilitatea unui incendiu sau a unei explozii. Unele lichide de curățare pot produce astfel de vapori. Acest dispozitiv nu este potrivit pentru aspirarea prafului care pune în pericol sănătatea.
- 11) Aveți grijă deosebită când curățați pe scări.
- 12) Nu utilizați aparatul în aer liber.
- 13) Depozitați aparatul într-o zonă uscată și ventilată.

### **Despachetarea**

Când aparatul este livrat, verificați cu atenție ambalajul și dispozitivul, să nu prezinte deteriorări. În cazul în care descoperiți vreun prejudiciu, informați transportatorul cu privire la daune și, înainte de a accepta coletul, rezervați-vă dreptul de a fi despăgubiți pentru prejudiciu.

Cutia de ambalaj include următoarele elemente:

#### **Conținut (vezi F1):**

- Aparat de curățat covoare
- Talpă de aspirare
- Perie rotativă
- Prelungitor cablu de alimentare cu extensie de până la 50 m

#### **Datele de identificare ale aparatului**

Numărul seriei și numele modelului sunt marcate pe eticheta de serie.

Aceste informații sunt utile. Utilizați tabelul următor pentru a nota datele de identificare ale aparatului, atunci când aveți nevoie de piese de schimb.

Denimire model .....
Număr serie .....

**Componentele aparatului** (vezi pagina 2)

1. buton mod pulverizare 2. Cârlig cablu alimentare 3. Cablu alimentare 4. țeavă mâner (inoxidabil) 5. rezervor soluție 6. roată spate 7. postament aparat 8. Pedală "cric" 9. buton reglare înălțime 10. Buton element aspirare 11. intrare furtun aspirare 12. cupolă 13. port de umplere 14. logo viper 15. talpă aspirare 16. panou de control 17. accesoriu manual (opțional) 18. duză pulverizator accesoriu manual 19. conector rapid accesoriu manual 20. mâner valvă accesoriu manual 21. furtun aspirare accesoriu manual 22. colier cablu 23. panou postament 24. buton reglare mâner 25. colier furtun 26. cuplare țeavă 27. țeavă 28. furtun aspirare 29. rezervor recuperare furtun colector 30. accesoriu cuplu rapid 31. filtru soluție 32. ax 33. suport "cric" aparat 34. postament duză 35. duză pulverizare 36. disc de fricțiune 37. puliță "cric" 38. ax asamblare aparat 39. perie rotativă 40. suport perie rotativă 41. clemă rezervor recuperare 42. rezervor recuperare 43. înveliș filtru flotor 44. înveliș flotor 45. filtru spumă 46. suport filtru flotor 47. capac curea trapezoidală

**Instalare talpă aspirare și perie rotativă**

**Instalare talpă aspirare (vezi F2):**

- 1) Mai întâi, așezați aparatul în poziție verticală pe podea.
- 2) Ridicați butonul tălpii de aspirare.
- 3) Conectați talpa de aspirare la furtunul de aspirare și la baza de montare în poziția corectă.
- 4) Eliberați butonul tălpii de aspirare.
- 5) Trageți înapoi talpa de aspirare – dacă nu se mișcă, înseamnă că s-a instalat corect.

**Instalare perie rotativă (vezi F3):**

- 1) Plasați aparatul într-o parte.
- 2) Instalați un capăt al periei rotative cu fanta de fixare în suportul de montare și

apăsați în partea opusă pe suportul periei. Sfat: Mai întâi, presăți un capăt al periei și asigurați-vă că extremitatea canelată a fost instalată pe poziție și apoi instalați celălalt capăt.

3) Dacă peria rotativă se învâрте ușor, instalarea s-a făcut corect.

Manevrați direcția și reglați înălțimea tălpii de aspirare / periei rotative (vezi F4)

1) Aparatul poate regla înălțimea mânerului în funcție de statura utilizatorului sau de obișnuința personală de operare.

2) Țineți apăsat butonul de reglare a mânerului și rotiți-l în direcția opusă pentru a slăbi mânerul.

3) Reglați mânerul în poziția dorită și strângeți butonul.

**Reglare talpă aspirare/perie rotativă**

Atunci când aparatul are de-a face cu covoare de diferite grosimi sau peria rotativă are un anumit grad de uzură, operatorii pot spori performanțele de curățare ale mașinii prin reglarea înălțimii tălpii de aspirare și a periei rotative (**vezi F5**).

1) Indicator referitor la viteza de funcționare a aparatului (0 → MAX indică viteza aparatului, de la mic la mare).

2) Indicator referitor la presiunea periei rotative (- → + indică presiunea ascendentă a periei)

3) Buton reglare talpă de aspirare. Ținând apăsat butonul de ajustare a tălpii de aspirare și rotindu-l în aceeași direcție, deplasați talpa de aspirare în sus sau în jos în poziția convenabilă.

**Panou de control (vezi F6).**

1. Buton alimentare 2. Buton pompă de apă 3. Buton motor aspirator 4. Siguranță motor perie rotativă 5. Siguranță motor aspirator

**Operare aparat**

**Înainte de operare**

- 1) Verificați integritatea cablului de alimentare și a prelungitorului. Înlocuiți cablurile deteriorate.
- 2) Aspirați suprafața ce urmează a fi curățată, pentru a îndepărta majoritatea resturilor solide, înainte de a utiliza aparatul pentru curățare.

**Operare**

**Atenție: Nu lăsați firul să atingă perile rotative**

- 1) Folosind un furtun sau o găleată, umpleți rezervorul cu apă fierbinte. (max. 120°F/50°C, capacitate 9 Gal./35L).
- 2) Adăugați detergentul recomandat de distribuitor.
- 3) Conectați la aparat cablul prelungitor din. Conectați apoi la o priză cu împământare.
- 4) Apăsăți butonul de pornire și butonul de aspirare/pompă.
- 5) Pentru a începe curățarea, apăsați comutatorul mod pulverizare și începeți să trageți aparatul înapoi. (Notă: aparatul va pulveriza numai când comutatorul pompei este pornit și comutatorul pentru mod pulverizare este apăsat.)
- 6) La sfârșitul traseului, eliberați butonul de pulverizare și continuați să trageți mașina înapoi pentru a aduna soluția în exces.
- 7) Apăsăți aparatul înapoi pe roțile de transport și împingeți-l înainte pentru a începe următorul traseu.



**Sfaturi pentru curățare:**

- 1) Treceți peste suprafața de curățat în mai multe rânduri.
- 2) Lăsați soluția de detergent să se înmoaie timp de 5 până la 10 minute pe suprafețe foarte murdare și repetați curățarea de mai multe ori.
- 3) Lucrați departe de priza și de cablul de alimentare, pentru a evita deteriorarea cablului de alimentare.
- 4) Verificați continuu acumularea de spumă în rezervorul de recuperare. Utilizați o soluție de control al spumei recomandată de distribuitor. **(Notă: Excesul de spumă nu va activa întreruperea flotorului și poate cauza deteriorarea motorului de aspirare.)**
- 5) Dacă peria se oprește, e posibil ca aceasta să fie blocată de ceva. Deconectați cablul de alimentare, verificați peria și îndepărtați obstrucția.
- 6) Când rezervorul de recuperare este plin sau rezervorul de soluție este gol, trebuie să goliți rezervorul de recuperare. (consultați secțiunea referitoare la golirea rezervorului)

**Operarea cu accesoriile din dotare (Vor fi folosite doar accesoriile recomandate / autorizate).**

La aparat poate fi atașat, în mod opțional, un accesoriu manual pentru curățarea tapiseriei sau a scârilor.

Operarea cu accesoriul manual **(vezi F7):**

- 1) Scoateți furtunul normal de aspirare din cupolă.
- 2) Introduceți furtunul de aspirare auxiliar în cupolă, în locul furtunului normal.
- 3) Legați conectorul rapid pentru accesorii la cuplajul rapid aflat pe partea din spate a aparatului.
- 4) Porniți butonul de alimentare și comutatorul motorului de aspirare / pompei de apă.
- 5) Folosiți maneta de pe accesoriul manual pentru a pulveriza soluția de detergent.
- 6) După finalizarea curățării, opriți comutatorul pompei de apă / motorului de aspirare și apoi apăsați declanșatorul timp de 3 secunde pentru a elibera presiunea apei din sistem.

**Închidere**

- 1) Opriți aparatul, deconectați și îndepărtați cablul de alimentare.
- 2) Goliți rezervorul de recuperare și rezervorul cu soluție. (vezi secțiunea golire rezervoare)

**Golire rezervoare**

**Golire rezervor de recuperare (vezi F8):**

- 1) Mutați aparatul într-o locație potrivită pentru golire. (Nu uitați să protejați mediul.)
- 2) Țineți furtunul de evacuare al rezervorului de recuperare și coborâți-l pentru scurgere. Deschideți capacul furtunului de evacuare pentru golirea rezervorului de recuperare.
- 3) Puneți la loc furtunul de evacuare la loc în aparat.

**Golirea rezervorului pentru soluție (vezi F9):**

- 1) Mutați aparatul într-un loc potrivit pentru evacuare. (Nu uitați să protejați mediul)
- 2) Deconectați cuplajul furtunului și coborâți furtunul pentru a evacua rezervorul de soluție.
- 3) Conectați cuplajul furtunului la aparat.



## Întreținerea aparatului



**Atenție: Pentru a evita riscul de electrocutare, vă rugăm să verificați întotdeauna ca aparatul să fie deconectat înainte de a efectua orice întreținere sau reparații.**

Pentru a întinde viața aparatului și a-i prelungi durata de viață, efectuați următoarele proceduri de întreținere.

### Întreținere zilnică

- 1) Evacuați și clătiți rezervorul de recuperare și rezervorul pentru soluție.
- 2) Verificați cuploarele rapide și duzele. Curățați dacă este necesar (Notă: Nu folosiți niciodată un obiect ascuțit pentru a curăța duzele, clătiți-le numai cu apă fierbinte) **(vezi F10)**.
- 3) Scoateți filtrul flotant din rezervorul de recuperare și curățați-l cu apă **(vezi F11)**.
- 4) Verificați filtrul portului de umplere și curățați-l cu apă **(vezi F12)**.
- 5) Verificați filtrul pompei de apă de sub aparat și curățați-l cu apă **(vezi F13)**.
- 6) Verificați peria rotativă și îndepărtați orice resturi sau fibre de covor.



**Atenție: Oprii butonul de alimentare și deconectați cablul principal înainte de a verifica peria rotativă.**

- 7) Verificați talpa de aspirare și îndepărtați orice resturi sau fibre de covor.
- 8) Curățați aparatul cu o cârpă moale după folosire.
- 9) Verificați cablul de alimentare, cablul prelungitor și furtunurile înainte de fiecare utilizare a aparatului.

### Întreținere lunară

- 1) Verificați peria rotativă pentru orice uzură. Înlocuiți-o dacă este necesar.
- 2) Verificați furtunurile și garniturile pentru a vedea dacă există uzuri. Înlocuiți dacă este necesar.
- 3) Verificați dacă aparatul prezintă scurgeri de apă.

- 4) Lubrifiați roțile.
- 5) Verificați aparatul dacă are piulițe sau șuruburi slăbite sau lipsă și, dacă este necesar, înlocuiți-le.
- 6) Verificați cureaua trapezoidală pentru uzură. Înlocuiți dacă este necesar.

### Instalare duză(vezi F14).

1. bază duză 2. Inel cauciuc de etanșeizare
3. Duză pulverizare

După ce duza este curățată, ea trebuie instalată pe bază. Mai întâi, instalați inelul de cauciuc în poziția corectă, apoi apăsați în jos și rotiți duza la 90 de grade, aliniați duza în direcție orizontală, instalarea fiind astfel finalizată.

### Depozitare

#### Depozitare cablu alimentare

- 1) Legați cablul de alimentare cu sârme speciale și depozitați-l pe cârligul din dotare **(vezi F15)**.
- 2) Cablul de alimentare poate fi înfășurat și în jurul tubului mânerului **(vezi F16)**.

#### Depozitare aparat



**Notă: Goliți rezervorul de recuperare și rezervorul de soluție înainte de a depozita aparatul, pentru a menține rezervoarele curate și în caz de temperaturi de îngheț. Acest aparat trebuie depozitat numai în interior.**

- 1) Depozitați aparatul în poziție verticală, într-o zonă uscată și apăsați pedala pentru a păstra peria rotativă la nivelul podelei **(vezi F17)**.
- 2) Rabatați mânerul din spatele aparatului pentru a reduce spațiul de stocare **(vezi F18)**.
- 3) Scoateți cupola rezervorului de recuperare pentru a permite circulația aerului.

#### Diagramă cabluri - vezi F19

#### Specificații tehnice - vezi F20

#### Compoziție materiale aparat și reciclare - vezi F21

## Soluții pentru unele probleme curente



**Atenție; Deconectați cablul principal înaintea oricărei operațiuni de intervenție.**

Dacă problemele dvs. nu sunt menționate în acest tabel sau dacă aparatul nu funcționează corespunzător, vă rugăm să contactați un service autorizat.

Problemă	Soluție
Aparatul nu funcționează deloc	Conectați cablul de alimentare la o priză cu împământare
	Încercați înlocuirea cablului prelungitor
Motorul aspiratorului nu funcționează	Porniți butonul motorului
	Resetați siguranța de protecție a motorului (întrerupător circuit) de pe panoul de control
Motorul periei rotative nu funcționează	Porniți butonul motorului periei rotative
	Resetați siguranța de protecție a motorului (întrerupător circuit) de pe panoul de control
Performanță de aspirare ineficientă	Verificați inelul de etanșeizare a rezervorului de recuperare, curățați sau înlocuiți, dacă este cazul
	Goliți rezervorul de recuperare
	Asigurați-vă că furtunul aspiratorului este bine conectat
	Verificați furtunul pentru eventuale deteriorări, înlocuiți-l dacă e cazul
	Încetiniți operația de curățare
Apa nu se pulverizează	Umpleți din nou rezervorul cu soluție
	Porniți butonul pompei de apă
	Clătiți duza pulverizatorului cu apă fierbinte(max. 120°F/50°C)
	Curățați sau înlocuiți filtrul de soluție de la baza aparatului
Peria rotativă nu funcționează	Porniți butonul motorului periei rotative
	Verificați cureaua trapezoidală și înlocuiți-o dacă este deteriorată
	Verificați dacă peria este montată corespunzător
	Verificați ca peria să nu fie blocată cu fibre de covor sau alte resturi care o împiedică să se rotească.

## Eliminarea:



Echipamente marcate cu simbolul unui coș de gunoi barat indică faptul că echipamentele electrice și electronice uzate nu trebuie să fie aruncate împreună cu deșeurile menajere neseperate. Pentru a evita efectele negative asupra sănătății umane și asupra mediului echipamentul trebuie să fie colectate separat la punctele de colectare desemnate.

Utilizatorii de echipamente electrice și electronice de uz casnic trebuie să utilizeze schemele de colectare municipale. Vă rugăm să rețineți că echipamentele electrice și electronice utilizate în scop comercial, nu trebuie să

fie eliminate prin intermediul sistemelor de colectare municipale. Vom fi încântați să vă informeze cu privire la opțiunile de eliminare adecvate.

**Въведение:** Този уред предлага интелигентно и ефективно почистващо решение за подове, покрити с мокет. Машината е предназначена за комерсиална употреба в хотели, училища, болници, фабрики, магазини, офиси и фирми за отдаване под наем. Той е конструиран за използване в затворена среда. Целта на това ръководство е да предостави на оператора необходимата информация за правилното и безопасно използване на машината. Прочетете внимателно преди извършването на всяка операция и поддръжка.



**Важни указания за безопасност**

Машината трябва да бъде вземена по време на работа. За да намалите риска от пожар, токов удар или нараняване, обърнете внимание на тези важни предупреждения. Неспазването на тези указания за безопасност може да доведе до увреждане на машината, увреждане на имуществото или телесна повреда.

- 1) Използвайте това устройство само, както е описано в това ръководство. Не го използвайте по начин, по който не е предназначен. Използвайте само аксесоари, препоръчани от производителя.
- 2) Не оставяйте машината без надзор, когато е включена. Изключете всички превключватели и изключете захранващия кабел, когато не го използвате и преди сервис.
- 3) Уредът не е предназначен за употреба от хора (включително деца) с намалени физически, сетивни или психически способности или липса на опит и познания, освен ако не са били подложени на надзор или инструкции относно използването на уреда от лице, което отговаря за техния безопасност.
- 4) Ако машината не работи както трябва, е била изпусната, повредена или оставена на открито, преди да я използвате, я върнете в сервизен център.
- 5) Избягвайте токов удар, не манипулирайте щепсела или машината с мокри ръце. За да изключите кабела, хванете щепсела. Не дърпайте кабела.
- 6) Не използвайте удължителни кабели или изводи с недостатъчна токова носеща способност. Не използвайте с повреден кабел или щепсел. Свържете устройството само с подходящо заземен контакт. Избягвайте повреда на кабела (затваряне

на вратите на кабела, издърпване на остри ръбове или ъгли, горещи повърхности или работа на машината върху кабела).

7) Тази машина създава засмукване и съдържа въртяща се четка. Дръжте косата, свободното облекло, пръстите и всички други части на тялото далеч от отворите и движещите се части. Не поставяйте никакви предмети в нито един от отворите в устройството.

8) Не взимайте нищо, което гори или пуши, като цигари, мачове или гореща пепел.

9) Не използвайте машината за събиране на запалими или запалими течности като бензин.

10) Да не се използва в места, където има възпламеними и / или експлозивни пари или прах, за да се избегне възможността от пожар или експлозия. Някои почистващи течности могат да произведат такива пари. Тази машина не е подходяща за събиране на прах, застрашаващ здравето.

11) Използвайте допълнителни грижи при почистване на стълби.

12) Не използвайте машината на открито.

13) Съхранявайте машината във вентилирана, суха зона.

**Разопаковане**

Когато машината се доставя, внимателно проверявайте опаковката и машината за повреда. Ако има някакви щети, уведомите превозвача за щетите и преди да приемете стоките, си запазвате правото да обезщетите щетите.

Картонената опаковка включва следните елементи:

**Съдържание (виж F1):**

- Екстрактор за килими
- Вакуумна обувка
- Въртяща се четка
- 50-инчов кабел за разширение

**Идентификационни данни на машината**

Серийният номер на машината и името на модела са отбелязани на серийния етикет. Тази информация е полезна. Използвайте следната таблица, за да напишете данните за идентификация на машината, когато се изискват резервни части за машината.

Модел .....
Серийен номер .....

**Компоненти на машината (виж страница 2)**

1. превключвател за режим на пръскане
2. кука за захранващ кабел
3. захранващ кабел
4. тръба за дръжка (неръждаема)
- 5.

резервоар за разтвор 6. задно колело 7. машинна основа 8. педал "Kickstand" 9. копче за регулиране на височината на основата 10. копче за вакуумна обувка 11. вход за вакуумен маркуч 12. купол 13. порт за пълнене 14. лого за винтове 15. вакуумна обувка 16. контролен панел 17. ръчен инструмент (по избор) 18. дюза за пръскане с ръчен инструмент 19. бърз съединител за ръчен инструмент 20. дръжка на вентил за ръчен инструмент 21. ръчен инструмент вакуумен маркуч 22. кабелна скоба 23. основен панел 24. ръкохватка за регулиране на ръкохватката 25. маркуч скоба 26. зъбна тръба съединител 27. визуална тръба 28. вакуумен маркуч 29. маркуч за оттичане на резервоара за резервоар 30. аксесоар за бързо свързване 31. филтър за разтвор 32. вал 33. Корпус за машина "Kickstand" 34. основа на дюзата 35. дюза за разпръскване 36. износваща се плоча 37. гайка "Kickstand" 38. машина за слобяване на болт 39. търкаляща се четка 40. държач на четка 41. резервоар за рециклиране 42. капак на филтъра на плавателния съд 43. капак на филтър за плаващ съд 44. капак на поплавок 45. пяна за филтър 46. държач на филтър за плаващ съд 47. Капак на ремъка за колан

### **Инсталация за вакуумна обувка и валцована четка**

#### **Инсталация на вакуумна обувка (виж F2):**

- 1) Първо, поставете машината изправена на пода.
- 2) Повдигнете копчето за вакуумната обувка.
- 3) Поставете вакуумната обувка на смукателния маркуч и монтажната основа в правилно положение.
- 4) Освободете копчето за вакуумна обувка.
- 5) Издърпайте вакуумната обувка назад, ако тя не се движи, инсталацията е завършена.

#### **Инсталация с въртяща четка (вижте F3):**

- 1) Поставете машината в странично положение.
- 2) Монтирайте едната страна на търкалящата се четка с фиксиращия прорез към носещата стойка за монтаж и натиснете от другата страна на ролката за търкаляне. Съвет: Първо, издърпайте едната страна на четката и уверете, че краят с канал е монтиран на място и след това инсталирайте другата страна.
- 3) Ако търкалящата се четка се върти

гладко, инсталацията е завършена.

### **Направление на ръкохватката и регулиране на височината на вакуумна обувка / въртяща се четка** **Върнете ръкохватката (виж F4)**

- 1) Уредът може да регулира височината на дръжката според ръста на употребата или персоналния навик за работа.
- 2) Задръжте копчето за регулиране на дръжката и завъртете в противоположна посока, за да разхлабите дръжката.
- 3) Регулирайте дръжката в подходящо положение и затегнете копчето.

### **Регулиране на вакуумна обувка/въртяща четка**

Когато машината, работеща в различни купчини килими или валци, има известно износване, операторите могат да повишат почистващите качества на машината, като регулират височината на вакуумната обувка и търкалящата се четка **(виж F5)**.

- 1) Етикетът за скорост на машината (0 → MAX показва скоростта на машината от бавно до бързо).
- 2) Етикет за налягането на четката (- → + Показва, че налягането на четката се увеличава).
- 3) Копчето за настройка на вакуумна обувка.

Като държите копчето за регулиране на вакуумната обувка и го завъртите в една и съща посока, преместете вакуумната обувка нагоре или надолу в подходящото положение.

### **Контролен панел (вижте F6).**

1. Превключвател на захранването
2. Превключвател на водна помпа
3. Вакуумен превключвател на двигателя 4. Предпазител за двигателя на четка с четка 5. Предпазител за вакуумен двигател

### **Работа с машината**

#### **Преди работа**

- 1) Проверете захранващия кабел и удължителния кабел за повреди. Ако се установи повреда, сменете кабела.
- 2) Почиствайте областта, която трябва да почиствате, за да отстраните повечето от твърдите отпадъци, преди да използвате машината за почистване.

### **Работа с машината**



**Предупреждение:Непозволявайте на кабела да влиза в контакт с въртящите се четки.**

- 1) С помощта на маркуч или кофа напълнете резервоара за разтвор с гореща вода. (максимум 120 ° F / 50 ° C, капацитет

9 Gal / 35L).

- 2) Добавете препоръчителен детергент на дистрибутора.
- 3) Свържете доставения кабел за захранване към устройството. Включете кабела в заземен контакт на стената.
- 4) Включете превключвателя на захранването и прекъсвача за вакуум / помпа
- 5) За да започнете почистването, натиснете превключвателя за режим на пръскане и започнете да дърпате машината назад. (Забележка: уредът ще пръска само когато ключът на помпата е ВКЛЮЧЕН и превключвателят за режима на пръскане е натиснат.)
- 6) Пуснете бутона за пръскане в края на пътя и продължете да дърпате машината назад, за да вземете излишния разтвор.
- 7) Завъртете машината назад върху транспортните колела и натиснете напред, за да започнете следващия път.



**Съвети за почистване:**

- 1) Изтичайте по повърхността, за да бъдат почистени в припокриващи се пътеки.
- 2) Оставете разтвора на препаратата да се накисва за 5 до 10 минути на силно замърсени места и повторете почистването няколко пъти.
- 3) Работете далеч от захранващия кабел и захранващия кабел, за да избегнете повреда на захранващия кабел.
- 4) Непрекъснато проверявайте за натрупване на пяна в резервоара за оползотворяване. Използвайте препоръчан от дистрибутора разтвор за контрол на пяната. **(Забележка: Прекомерното натрупване на пяна няма да активира затварянето на поплавка и може да повреди вакуума.)**
- 5) Ако четката спира да се върти, може да има пречка в четката. Изключете захранващия кабел, проверете четката и отстранете препятствието.
- 6) Когато резервоарът за пълнене е пълен или резервоарът за разтвор е празен, трябва да източите резервоара за възстановяване. (вижте източването на резервоара)

**Работа с допълнителни инструменти (Трябва да се използват само препоръчаните / оторизирани части и принадлежности).**

За почистване на тапицерията и стълбите може да се постави допълнителен ръчен инструмент. Работа с ръчен инструмент

**(виж F7):**

- 1) Изключете нормалния вакуумен маркуч от купола.
- 2) Поставете допълнителния вакуумен маркуч в купола вместо обикновения вакуумен маркуч.
- 3) Свържете бързия съединител за аксесоари към бързия съединител, разположен на гърба на машината.
- 4) Включете превключвателя на захранването и превключвателя за вакуум мотор / водна помпа
- 5) Използвайте лоста на ръчния инструмент за пръскане на разтвора на препаратата.
- 6) След приключване на почистването, изключете превключвателя на водната помпа / вакуума и след това натиснете 3 секунди, за да освободите налягането на водата от линиите на разтвора.

**Изключване**

- 1) Изключете машината, изключете и извадете захранващия кабел.
- 2) Изпразнете резервоара за възстановяване и резервоара за разтвор. (вижте Резервоари за източване)

**Източване на резервоари**

**Източване на резервоара за оползотворяване (виж F8):**

- 1) Преместете машината на подходящо място за източване. (Моля, погрижете се за околната среда)
- 2) Задръжте дренажния маркуч за резервоара за оползотворяване и го спуснете над канала. Отворете капака на маркуча за оттичане на резервоара за източване.
- 3) Сменете изпускателния маркуч обратно на машината.

**Източване на речервоара за разтвор (виж F9):**

- 1) Преместете машината на подходящо място за източване. (Моля, обърнете внимание на околната среда)
- 2) Разкачете съединителя на маркуча и спуснете маркуча за източване на резервоара.
- 3) Свържете съединителя на маркуча обратно към машината.

**Поддръжка на машини**



**Предупреждение:** За да избегнете риска от токов удар, моля, винаги потвърдете, че машината е изключена преди извършване на каквито и да било работи поподдръжката или ремонта.

За да поддържате работата на машината добре и да удължите нейната продължителност на експлоатация, моля, изпълнете следните процедури за поддръжка.

**Ежедневна поддръжка**

- 1) Изчедете и изплакнете резервоара за възстановяване и резервоара за разтвор.
- 2) Проверете бързите съединители и дюзите. Почистете, ако е необходимо (Забележка: Никога не използвайте заострен предмет за почистване на дюзите, изплакнете ги само с гореща вода) **(виж F10)**.
- 3) Извадете филтъра от плавателния съд и го почистете с вода **(виж F11)**.
- 4) Проверете филтъра за помпата за пълнене и го почистете с вода **(вижте F12)**.
- 5) Проверете филтъра на водната помпа под машината и я почистете с вода **(вижте F13)**.
- 6) Проверете валцовката и отстранете всички остатъци или влакна от килими.



**Предупреждение: Преди да проверите валака, изключете прервключвателя на захранването и изключете захранващия кабел.**

- 7) Проверете вакуумната обувка и отстранете всички остатъци или килими.
- 8) Почиствайте машината с мек продукт след употреба.
- 9) Проверете захранващия кабел, удължителния кабел и маркучите за повреди преди всяка употреба на машината.

**Ежемесечна поддръжка**

- 1) Проверявайте търкалящата се четка за всякакво износване. Ако е необходимо, сменете го.
- 2) Проверете маркучите и уплътненията, за да видите дали има повреди. Ако е необходимо, сменете го.
- 3) Проверете машината за изтичане на вода.
- 4) Смажете колелата.
- 5) Проверете машината за липсващи или

липсващи гайки, винтове, болтове и ако е необходимо, ги сменете.

- 6) Проверете дали клиновият ремък е износен. Ако е необходимо, сменете го.

**Инсталиране на дюзите (виж F14).**

1. основна на дюзата 2. гумен уплътнителен пръстен
  3. Накрайник за накрайник за пръскане
- След като дюзата се почисти, дюзата трябва да се монтира на основата. Първо, поставете гумения пръстен в правилната му позиция, след това го натиснете и завъртете на 90 градуса, като подравнявате дюзата в хоризонтално направление, инсталацията е завършена.

**съхранение**

**Захранване на кабела**

- 1) Свържете захранващия кабел с кабелни връзки и го запишете на куката за захранващия кабел **(виж F15)**.
- 2) Захранващият кабел може да се навива около тръбата на ръкохватката **(виж F16)**.

**Машинно съхранение**



**Забележка: Изпразнете резервоара за извличане и резервоара за разтвор преди съхранение на машината, за да запазите резервоарите пресни и в случай на температури на замръзване. Тази машина трябва да се съхранява само на закрито.**

- 1) Съхранявайте машината в изправено положение в суха зона и натиснете педала, за да държите търкалящата се четка от пода **(вижте F17)**.
- 2) Сгънете дръжката в задната част на устройството, за да намалите пространството за съхранение **(виж F18)**.
- 3) Извадете купола на резервоара за възстановяване, за да позволите циркулация на въздуха.

**Електрическата схема се отнася до F19**  
**Техническите спецификации се отнасят до F20**

**Съставът на материала и неговата рециклируемост се отнасят до F21**

**Основни проблеми и поправка**



**Забележка: Преди да извършите каквото и да е техническо обслужване, изключете захранващия кабел.**

Ако проблемите ви не са споменати в тази таблица или устройството все още не работи правилно, моля, свържете се с упълномощено лице за обслужване на клиенти за помощ.

Проблем	Поправка
Машината изобщо не работи	Включете захранващия кабел в заземен контакт
	Опитайте да замените захранващия кабел
Вакуумният мотор не работи	Включете вакуумния двигател
	Рестартирайте предпазителя на предпазителя на вакуума (прекъсвач) на контролния панел
Моторът на четката не работи	Включете превключвателя на двигателя на четката
	Възстановете предпазителя на предпазителя на двигателя на четката (прекъсвач) на контролния панел
Недостатъчна производителност на вакуума	Проверете уплътнителния пръстен на резервоара за оползотворяване, почистете го или го подменете, ако е необходимо
	Извадете резервоара за оползотворяване
	Уверете се, че вакуумният маркуч е поставен вероятно
	Проверете маркуча за вакуум, ако има някакви повреди, ако е необходимо, сменете го
	Намалете работата при почистване
Не се пръска вода от дюзата	Попълнете отново резервоара за разтвор
	Включете превключвателя на водната помпа
	Изплакнете дюзата с гореща вода (макс. 120 ° F / 50 ° C)
	Почистете или подменете филтъра за разтвор в долната част на машината
Ролковата четка не работи	Включете превключвателя на двигателя на четката
	Проверете дали клипсният ремък е повреден, ако е необходимо, го сменете
	Проверете монтажа на ролковата четка
	Проверете четката за влакна, влакна или остатъци от килими, които предпазват четката от правилно завъртане.

**Изхвърляне:**


Оборудване маркирани с колела символ зачеркната кофа за боклук указва, че използваното електрическо и електронно оборудване не трябва да се изхвърля заедно с неразделени битови отпадъци. За да се избегнат негативните последици за човешкото здраве и околната среда, оборудването трябва да се събират отделно в определените за целта пунктове за събиране.

Потребителите на електрическо и електронно оборудване на домакинствата трябва да използват схемите за общински събиране.

Моля, имайте предвид, че търговски използван електрическо и електронно оборудване, не трябва да се изхвърлят в схеми за събиране общински. Ние ще се радваме да ви информираме за подходящи възможности за пласиране.



**Введение:** Данный прибор предоставляет разумное и эффективное решение для чистки ковров. Машина предназначена для коммерческого использования, в гостиницах, школах, больницах, фабриках, магазинах, офисах и арендных предприятиях. Она спроектирована для использования в помещении. Цель настоящего Руководства - предоставить оператору необходимую информацию для правильного и безопасного использования машины. Прочтите внимательно, прежде чем выполнять какие-либо операции и обслуживание.



### Важные инструкции по безопасности

Во время эксплуатации машину необходимо заземлить. Чтобы снизить риск возгорания, поражения электрическим током или травмы, обратите внимание на эти важные предупреждения. Несоблюдение данных инструкций по безопасности может привести к повреждению машины, повреждению имущества или телесным повреждениям.

- 1) Используйте данную машину только, как описано в этом руководстве. Не используйте не предназначенным для нее образом. Используйте только рекомендованные производителем аксессуары.
- 2) Не оставляйте машину без присмотра, когда она подключена. Выключите все переключатели и отсоедините электрический шнур, когда он не используется, и перед обслуживанием.
- 3) Прибор не предназначен для использования лицами (включая детей) с ограниченными физическими, сенсорными или умственными способностями или отсутствием опыта и знаний, если им не были предоставлены надзор или инструкция относительно использования прибора лицом, ответственным за их безопасное использование.
- 4) Если машина не работает должным образом, ее уронили, была повреждена или оставлена на открытом воздухе, верните ее в сервисный центр, прежде чем использовать.
- 5) Избегайте поражения электрическим током, не прикасайтесь к вилке или машине мокрыми руками. Чтобы отсоединить шнур, держитесь за вилку. Не тяните за шнур.

6) Не используйте удлинители или розетки с недостаточной пропускной способностью. Не используйте с поврежденным шнуром или вилкой. Подключайте прибор только к правильно заземленной розетке.

Избегайте повреждения шнура (не закрывайте двери на шнур, не тяните за острые края или углы, горячие поверхности или не направляйте машину поверх шнура).

7) Данная машина создает всасывание и содержит вращающуюся щетку. Держите волосы, свободную одежду, пальцы и все другие части тела вдали от отверстий и движущихся частей. Не вставляйте какие-либо предметы в какие-либо отверстия в машине.

8) Не подбирайте ничего, что горит или дымится, например сигареты, спички или горячую золу.

9) Не используйте машину для сбора легковоспламеняющихся или горючих жидкостей, таких как бензин.

10) Не используйте в местах с горючими и/или взрывоопасными парами или пылью во избежание возгорания или взрыва. Некоторые очищающие жидкости могут создавать такие пары. Данная машина не подходит для сбора пыли, создающей опасность для здоровья.

11) При уборке на лестнице будьте особенно осторожными.

12) Не используйте машину на открытом воздухе.

13) Храните машину в вентилируемом сухом месте.

### Распаковка

Когда машина доставлена, внимательно осмотрите транспортировочную коробку и машину на наличие повреждений. Если имеется какой-либо дефект, уведомите перевозчика о повреждении и перед тем, как принять товар, зарезервируйте право в качестве компенсации ущерба.

Упаковочная коробка включает следующее элементы:

### Содержимое (обратитесь к F1):

- Экстрактор для ковров
- Вакуумная колодка
- Роликовая щетка
- 50' удлинительный кабель питания

### Идентификационные данные машины

Серийный номер и название машины обозначены на серийной этикетке. Данная информация полезна. Используйте



следующую таблицу для записи идентификационных данных машины, когда требуются запасные части для машины.

Модель машины .....
Серийный номер машины .....

**Компоненты машины** (обратитесь к странице 2)

1. переключатель режима распыления
2. крючок шнура питания
3. шнур питания
4. трубка ручки (нержавеющая)
5. бак для раствора
6. заднее колесо
7. Основание машины
8. "подножная" педаль
9. ручка регулировки высоты основания
10. ручка вакуумной колодки
11. вход вакуумного шланга
12. колпак
13. порт наполнения
14. вайперный логотип
15. вакуумная колодка
16. панель управления
17. ручной инструмент (дополнительно)
18. распылительное сопло ручного инструмента
19. быстрый соединитель ручного инструмента
20. рукоятка клапана ручного инструмента
21. вакуумный шланг ручного инструмента
22. кабельный зажим
23. панель основания
24. регулирующая ручка рукоятки
25. зажим шланга
26. соединительная муфта
27. муфта
28. вакуумный шланг
29. сливной шланг восстановительного бака
30. вспомогательное быстросоединительное соединение
31. фильтр раствора
32. вал
33. "подножный" держатель машины
34. основание сопла
35. распылительное сопло
36. износостойкая накладка
37. "подножная" гайка
38. болт сборки машины
39. роликовая щетка
40. держатель роликовой щетки
41. захват колпака восстановительного бака
42. Восстановительный бак
43. плавающая крышка фильтра
44. плавающая крышка
45. фильтр пены
46. держатель плавающего фильтра
47. крышка V-ремня

**Установка вакуумной колодки и роликовой щетки**

**Установка вакуумной колодки (обратитесь к F2):**

- 1) Сначала поместите машину вертикально на пол.
- 2) Поднимите ручку вакуумной колодки.
- 3) Вставьте вакуумную колодку во всасывающий шланг и монтажное основание в правильном положении.
- 4) Отпустите ручку вакуумной колодки.
- 5) Потяните вакуумную колодку назад, если она не двигается, то установка завершена.

**Установка роликовой щетки (обратитесь к F3):**

- 1) Поместите машину в боковое положение.
- 2) Установите одну сторону роликовой щетки с установочным слотом на стойку для крепления и нажмите другую сторону на держатель щетки. Совет: сначала сожмите одну сторону щетки и убедитесь, что конец с канавкой установлен на месте, а затем установите другую сторону.
- 3) Если роликовая щетка плавно вращается, то установка завершена.

**Регулировка направления ручки и высоты вакуумной колодки / роликовой щетки**  
 Регулировка направления ручки (обратитесь к F4)

- 1) Прибор может регулировать высоту ручки в зависимости от уровня использования или привычки личной эксплуатации.
- 2) Удерживайте рукоятку регулировки ручки и вращайте в противоположном направлении, чтобы ослабить ручку.
- 3) Отрегулируйте ручку до необходимого положения и затяните рукоятку.

**Регулировка вакуумной колодки / роликовой щетки**

Когда машина работает на разных коврах покрытиях или на роликовой щетке есть определенный износ, операторы могут повысить производительность уборки машины, регулируя высоту вакуумной колодки и роликовой щетки **(обратитесь к F5)**.

- 1) Этикетка рабочей скорости машины (0 → МАКС означает скорость работы машины от медленной к быстрой).
- 2) Этикетка давления роликовой щетки (- → + означает, что давление на щетке увеличивается).
- 3) Рукоятка регулировки вакуумной колодки.

Удерживая рукоятку регулировки вакуумной колодки и поворачивая ее в одном направлении, переместите вакуумную колодку вверх или вниз в нужное положение.

**Панель управления (обратитесь к F6).**

1. Переключатель питания
2. Переключатель водяного насоса
3. Переключатель вакуумного двигателя
4. Предохранитель для двигателя роликовой щетки
5. Предохранитель для вакуумного двигателя

**Эксплуатация машины**  
**Перед эксплуатацией**

- 1) Проверьте кабель питания и удлинитель на наличие повреждений. Замените кабель, если найдено повреждение.
- 2) Очистите область вакуумом, чтобы удалить большую часть твердого мусора, прежде чем использовать машину для очистки.

#### Эксплуатация



**Предупреждение: Не допускайте контакта шнура с вращающимися щетками.**

- 1) Используя шланг или ведро, заполните бак для раствора горячей водой. (макс. 120°F / 50°C, емкость 9 гал. / 35л).
- 2) Добавьте рекомендуемое дистрибьютором моющее средство.
- 3) Подключите прилагаемый кабель питания удлинителя к прибору. Вставьте шнур в заземленную розетку.
- 4) Включите переключатель питания и переключатель вакуума / насоса.
- 5) Чтобы начать очистку, нажмите переключатель режима распыления и начните тянуть машину назад. (Примечание: прибор будет распылять только при включении переключателя насоса и нажатии переключателя режима распыления.)
- 6) Отпустите кнопку распыления в конце пути и продолжайте тянуть машину назад, чтобы собрать избыточный раствор.
- 7) Направьте машину на транспортные колеса и нажмите вперед, чтобы начать следующий путь.



#### Советы по очистке:

- 1) Используйте на поверхности, подлежащей очистке на перекрывающихся путях.
- 2) Дайте раствору моющего средства размокнуть в течение 5-10 минут на сильно загрязненных участках и повторите очистку несколько раз.
- 3) Работайте подальше от розетки электропитания и силового кабеля во избежание повреждения силового кабеля.
- 4) Постоянно проверяйте наличие вспененного материала в восстановительном баке. Используйте рекомендованный дистрибьютором пенный раствор. (Примечание: **Чрезмерный вспененный материал не активирует поплавок и может привести к повреждению вакуумного двигателя.**)
- 5) Если щетка перестает вращаться, в щетке может быть препятствие.

- Отсоедините кабель питания, проверьте щетку и удалите препятствие.
- 6) Когда восстановительный бак заполнен, или бак для раствора пуст, вы должны слить восстановительный бак. (обратитесь к сливу резервуара)
- Эксплуатация с дополнительными инструментами (должны использоваться только рекомендованные / авторизованные детали и принадлежности).**

Для чистки обивки и лестницы можно прикрепить дополнительный ручной инструмент.

Работа с ручным инструментом **(обратитесь к F7):**

- 1) Отсоедините обычный вакуумный шланг от колпака.
- 2) Вставьте вспомогательный вакуумный шланг в колпак вместо обычного вакуумного шланга.
- 3) Подсоедините вспомогательный разъем к быстрому соединителю, расположенному на задней панели машины.
- 4) Включите переключатель питания и переключатель вакуумного двигателя/водяного насоса.
- 5) Используйте рычаг на ручном инструменте для распыления раствора моющего средства.
- 6) Когда очистка завершена, выключите водяной насос/переключатель вакуумного двигателя, а затем запустите триггер на 3 секунды, чтобы уменьшить давление воды из линии раствора.

#### Выключение

- 1) Выключите машину, отсоедините и извлеките кабель питания.
- 2) Опорожните восстановительный бак и бак для раствора. (обратитесь к сливу баков)

#### Слив баков

**Слив восстановительного бака (обратитесь к F8):**

- 1) Переместите машину в соответствующее место для слива. (Пожалуйста, не забывайте об окружающей среде)
- 2) Удерживайте сливной шланг для восстановительного бака и опустите его через слив. Откройте крышку сливного шланга для слива бака.
- 3) Поместите сливной шланг обратно на машину.

**Слив бака для раствора (обратитесь к F9):**

- 1) Переместите машину в

соответствующее место для слива. (Пожалуйста, не забывайте об окружающей среде)

2) Отсоедините шланговую муфту и опустите шланг для слива бака для раствора.

3) Подсоедините шланговую муфту обратно на машину.

#### Обслуживание машины



**Предупреждение: Во избежание поражения электрическим током обязательно убедитесь, что устройство отключено от сети до проведения любого технического обслуживания или ремонта.**

Чтобы машина работала хорошо и чтобы продлить срок ее службы, выполните следующие процедуры обслуживания.

#### Ежедневное обслуживание

1) Слейте и промойте восстановительный бак и бак для раствора.

2) Проверьте быстроразъемные соединения и насадки. При необходимости очистите (Примечание: никогда не используйте остроконечные предметы для чистки насадок, только промойте их горячей водой) **(обратитесь к F10).**

3) Извлеките плавающий фильтр из восстановительного бака и очистите его водой **(обратитесь к F11).**

4) Проверьте фильтр порта для наполнения и очистите его водой **(обратитесь к F12).**

5) Проверьте фильтр водяного насоса под машиной и очистите его водой **(обратитесь к F13).**

6) Проверьте роликовую щетку и извлеките любой мусор или волокна ковра.



**Предупреждение: Выключите переключатель питания и отсоедините штепсельную вилку перед проверкой роликовой щетки.**

7) Проверьте вакуумную колодку и извлеките любой мусор или волокна ковра.

8) Очистите машину мягкой тканью после использования.

9) Проверяйте кабель питания, удлинитель и шланги на наличие повреждений перед каждым использованием машины.

#### Ежемесячное обслуживание

1) Проверьте роликовую щетку на

наличие износа и повреждений. Замените при необходимости.

2) Проверьте шланги и уплотнения на наличие повреждений. Замените при необходимости.

3) Проверьте машину на наличие утечек воды.

4) Смажьте колеса.

5) Проверьте машину на наличие свободных или отсутствующих гаек, винтов, болтов и при необходимости замените.

6) Проверьте V-ремень на наличие износа и повреждений. Замените при необходимости.

#### Установка сопла (обратитесь к F14).

1. основание сопла 2. резиновое уплотнительное кольцо

3. Сопло распылительного наконечника

После очистки сопла оно должно быть установлено на основании. Сначала установите резиновое кольцо в правильное положение, затем нажмите и поверните сопло на 90 градусов, выравнивая сопло в горизонтальном направлении, установка завершена.

#### Хранение

##### Хранение шнура питания

1) Привяжите шнур питания кабельным креплением и закрепите на крючке шнура питания **(обратитесь к F15).**

2) Шнур питания можно также намотать на трубку ручки **(обратитесь к F16).**

##### Хранение машины



**Примечание: Опорожните восстановительный бак и бак для раствора, прежде чем хранить машину, чтобы сохранить баки свежими и при низких температурах. Эта машина должна храниться только в помещении.**

1) Храните машину в вертикальном положении в сухом месте и нажмите на педаль, чтобы удерживать роликовую щетку от пола **(обратитесь к F17).**

2) Сложите ручку в задней части машины, чтобы уменьшить пространство для хранения **(обратитесь к F18).**

3) Снимите колпак восстановительного бака, чтобы обеспечить циркуляцию воздуха.

**Схема подключения обратитесь к F19  
Технические спецификации обратитесь к F20**

**Композиционный материал машины и вторичная переработка обратитесь к F21**

**Устранение основных неполадок**



**Примечание; Перед выполнением любого технического обслуживания отсоедините штепсельную вилку.**

Если ваши проблемы не упоминаются в данной таблице или ваша машина по-прежнему не работает должным образом, обратитесь за помощью к авторизованному специалисту по обслуживанию клиентов.

Неисправность	Решение
Машина совсем не работает	Подключите шнур питания к заземленной розетке
	Попробуйте заменить удлинительный кабель питания
Вакуумный двигатель не работает	Включите переключатель вакуумного двигателя
	Сбросьте предохранитель защиты вакуумного двигателя (выключатель цепи) на панели управления
Двигатель роликовой щетки не работает	Включите переключатель двигателя роликовой щетки
	Сбросьте предохранитель защиты двигателя роликовой щетки (выключатель цепи) на панели управления
Недостаточная производительность вакуума	Проверьте уплотнительное кольцо восстановительного бака, очистите его или замените в случае необходимости
	Слейте восстановительный бак
	Убедитесь, что вакуумный шланг вставлен должным образом
	Проверьте вакуумный шланг на наличие повреждений, замените его при необходимости
Из сопла нет распыления воды	Замедлите процедуру очистки
	Наполните заново бак для раствора
	Включите переключатель водяного насоса
	Промойте сопло горячей водой (макс. 120°F/50°C)
Роликовая щетка не работает	Очистите или замените фильтр раствора в нижней части машины
	Включите переключатель двигателя роликовой щетки
	Проверьте V-ремень на наличие повреждений, замените при необходимости
	Проверьте сборку роликовой щетки
	Проверьте роликовую щетку на наличие ковровых волокон, нитей или мусора, препятствующие правильному вращению щетки.

**Утилизация:**



Оборудование, обозначенное символом перечеркнутого контейнера на колесах, указывает, что используемое электрическое и электронное оборудование не следует утилизировать вместе с неразделенными бытовыми отходами. Во избежание негативного воздействия на здоровье человека и окружающую среду оборудование необходимо собирать отдельно в назначенных пунктах сбора.

Пользователи электрического и электронного бытовой аппаратуры должны использовать схемы муниципального сбора. Обращаем ваше

внимание на то, что коммерчески используемое электрическое и электронное оборудование не должно утилизироваться с помощью схем муниципального сбора. Мы будем рады сообщить вам о подходящих вариантах утилизации.



Company information

Viper Europe

Nilfisk A/S

Kornmarksvej 1 DK-2605

Brøndby Denmark

[www.vipercleaning.eu](http://www.vipercleaning.eu)

[info-eu@vipercleaning.com](mailto:info-eu@vipercleaning.com)