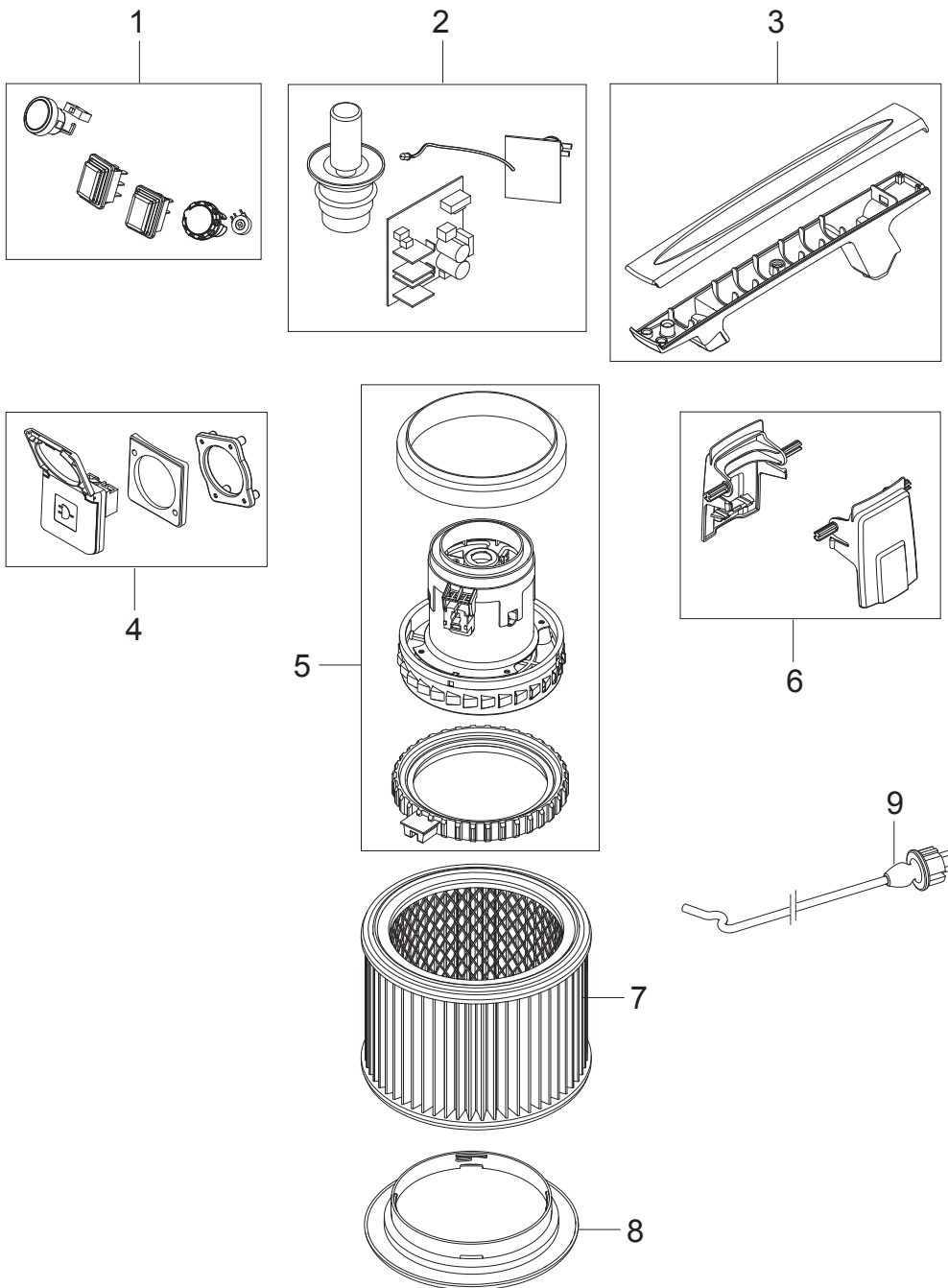


PARTS LIST

2016.12.07

TABLE OF CONTENTS

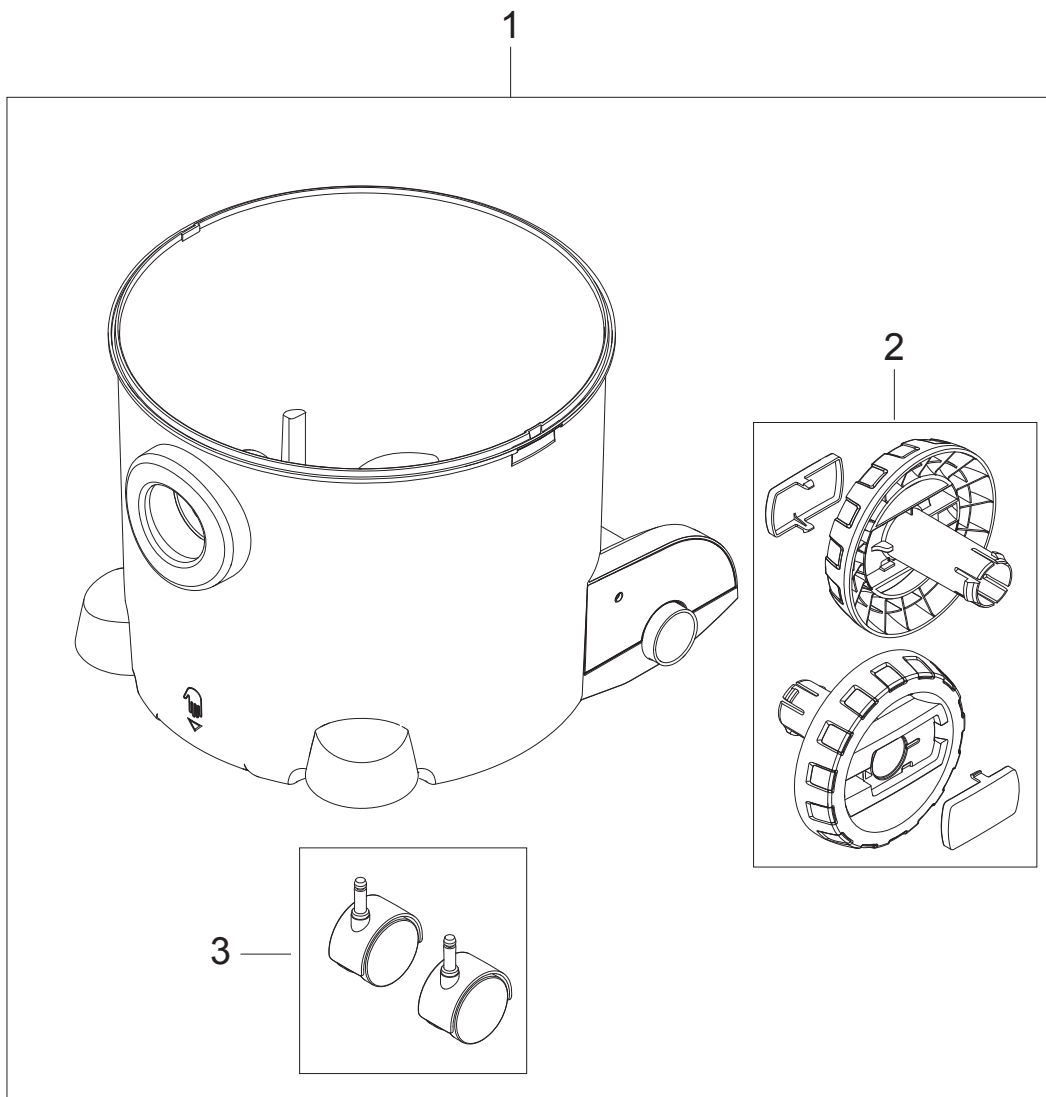
Upper parts	1
Container 20L	3
Container 20L inox	5
Accessories	7



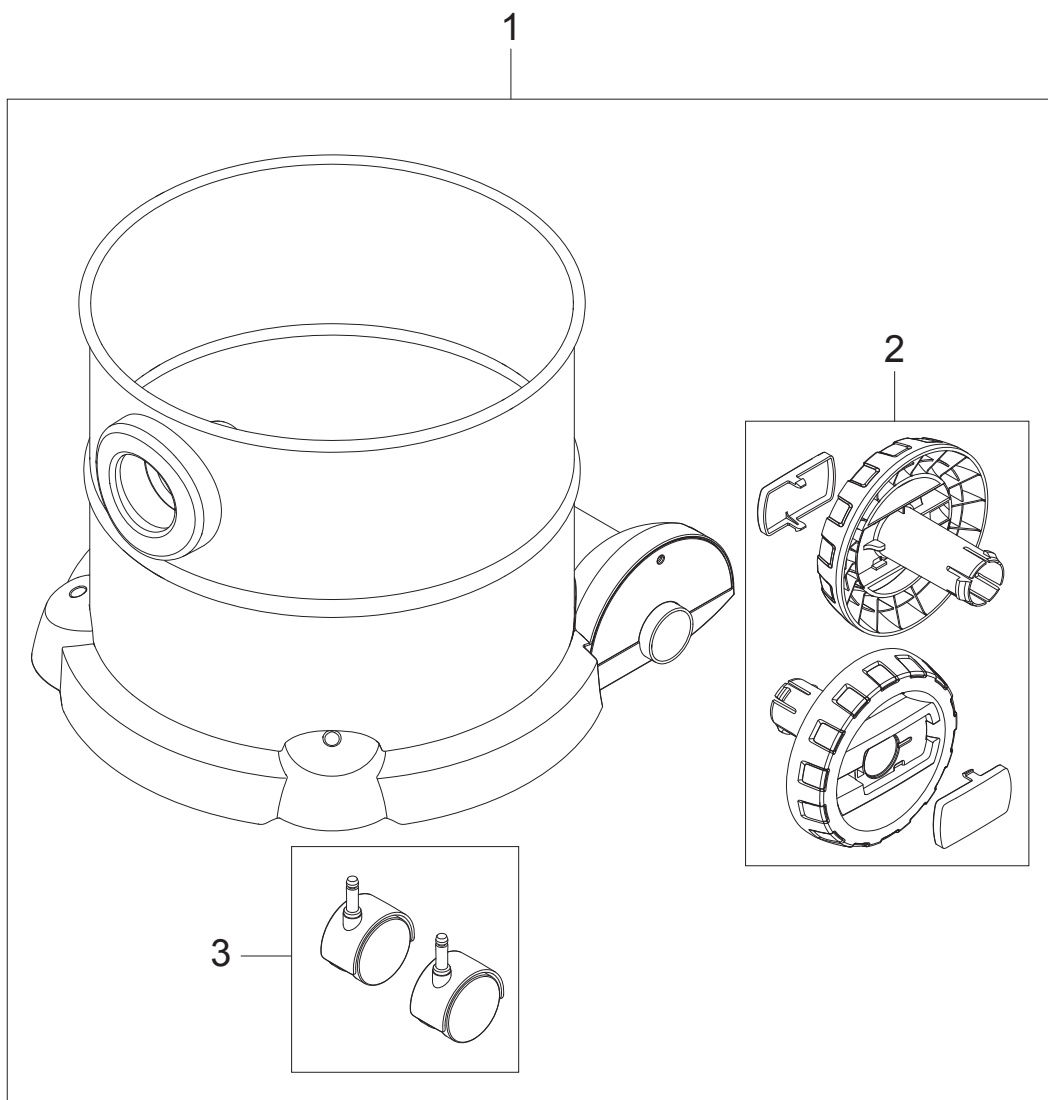
Pos.	Artikel-Nr.	Menge	Variante	Notes
1	31001049	1	SWITCH KIT	
2	31001050	1	ELECTRIC PARTS	
3	31001051	1	HANDLE KIT	
4	31001052	1	POWER SOCKET EU	
4	31001053	1	POWER SOCKET UK	
4	31001054	1	POWER SOCKET FR	
4	31001055	1	POWER SOCKET AU/NZ	
5	31001056	1	TURBINE 1200W 220V-240V 50HZ W. GASKETS	
5	31001057	1	TURBINE 1400W 220-240 V 50 HZ W. GASKETS	
6	31001058	1	CLAMPS 2 PCS	[1]
7	107417194	1	FILTER KIT 1 PCS	
8	31001059	1	FILTER TENSION DISC	
9	31001060	1	CABLE H05VV-F2X1MM 2 EU	
9	31001061	1	CABLE H05VV-F2X1MM 2 UK	
9	31001062	1	CABLE H05VV-F2X1MM 2 ZA	
9	31001063	1	CABLE H05VV-F2X1MM 2 NZ/AU	
9	31001076	1	CABLE H05VV-F3X1.5MMX5.5 C EU	
9	31001077	1	CABLE H05VV-F3X1.5MMX5.5 C UK	

Part Notes:

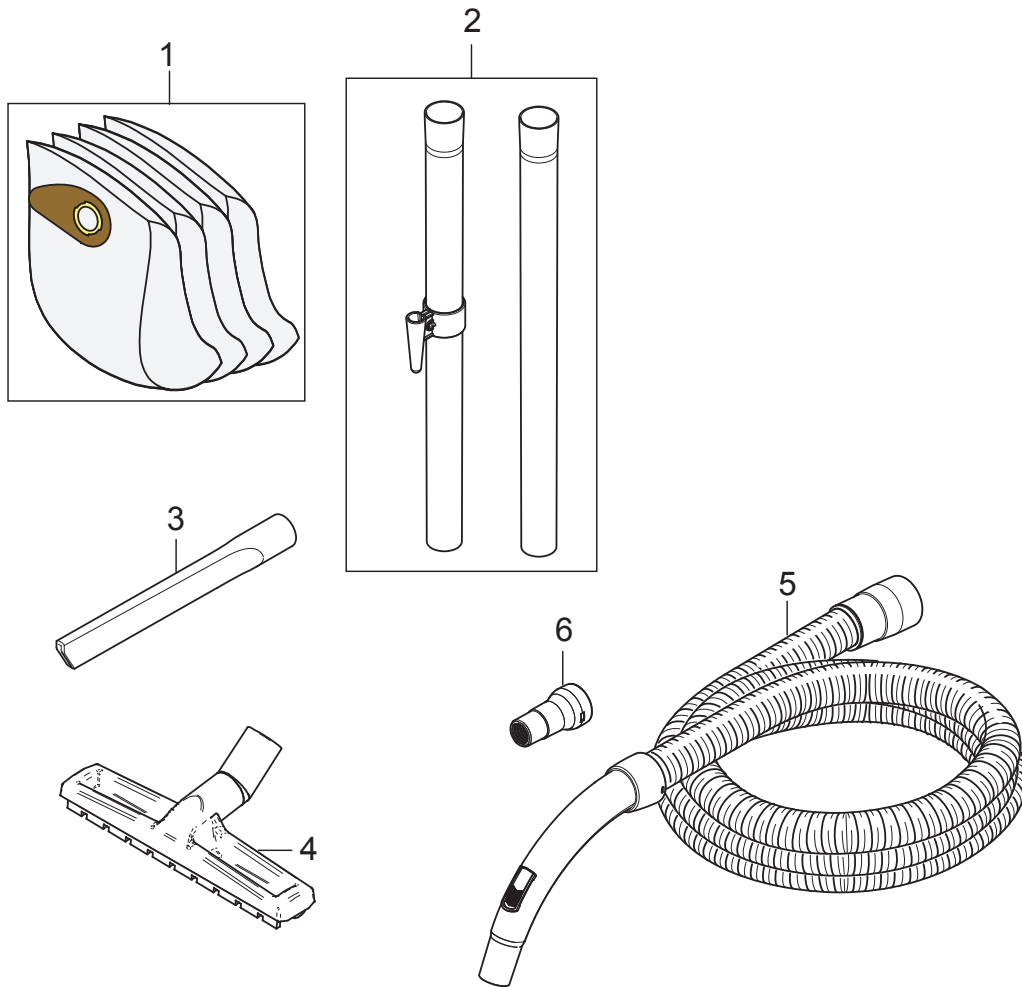
[1] - Not for L50 container



Pos.	Artikel-Nr.	Menge	Variante	Notes
1	31001064	1	CONTAINER 22L - COMPLETE	
2	31000854	1	RAEDER 2 STK	
3	31001065	1	CASTOR WHEELS 2 PCS.	



Pos.	Artikel-Nr.	Menge	Variante	Notes
1	31001066	1	CONTAINER 22L INOX - COMPLETE	
2	31000854	1	RAEDER 2 STK	
3	31001065	1	CASTOR WHEELS 2 PCS.	



Pos.	Artikel-Nr.	Menge	Variante	Notes
1	107417195	1	DUST BAG FLEECE 22L/30l 4 PCS	
1	107417196	1	DUST BAG FLEECE 50L 4 PCS	
2	31000862	1	Saugrohr mit Halteclip	
2		1	Stainless tubes not available	
3		1	Crevice nozzle not available	
4	107417197	1	FLOOR NOZZLE D36 W/D 1 PCS	
5	107417192	1	SUCTION HOSE 2.5M 1 PCS	
5	107417193	1	SUCTION HOSE 4M 1 PCS	
6	302002356	1	Werkzeugadapter	
NS	107417190	1	PREMIUM CAR KIT-TOPBOX	
NS	107417191	1	CONVENIENCE KIT-TOPBOX	

