

# PARTS LIST

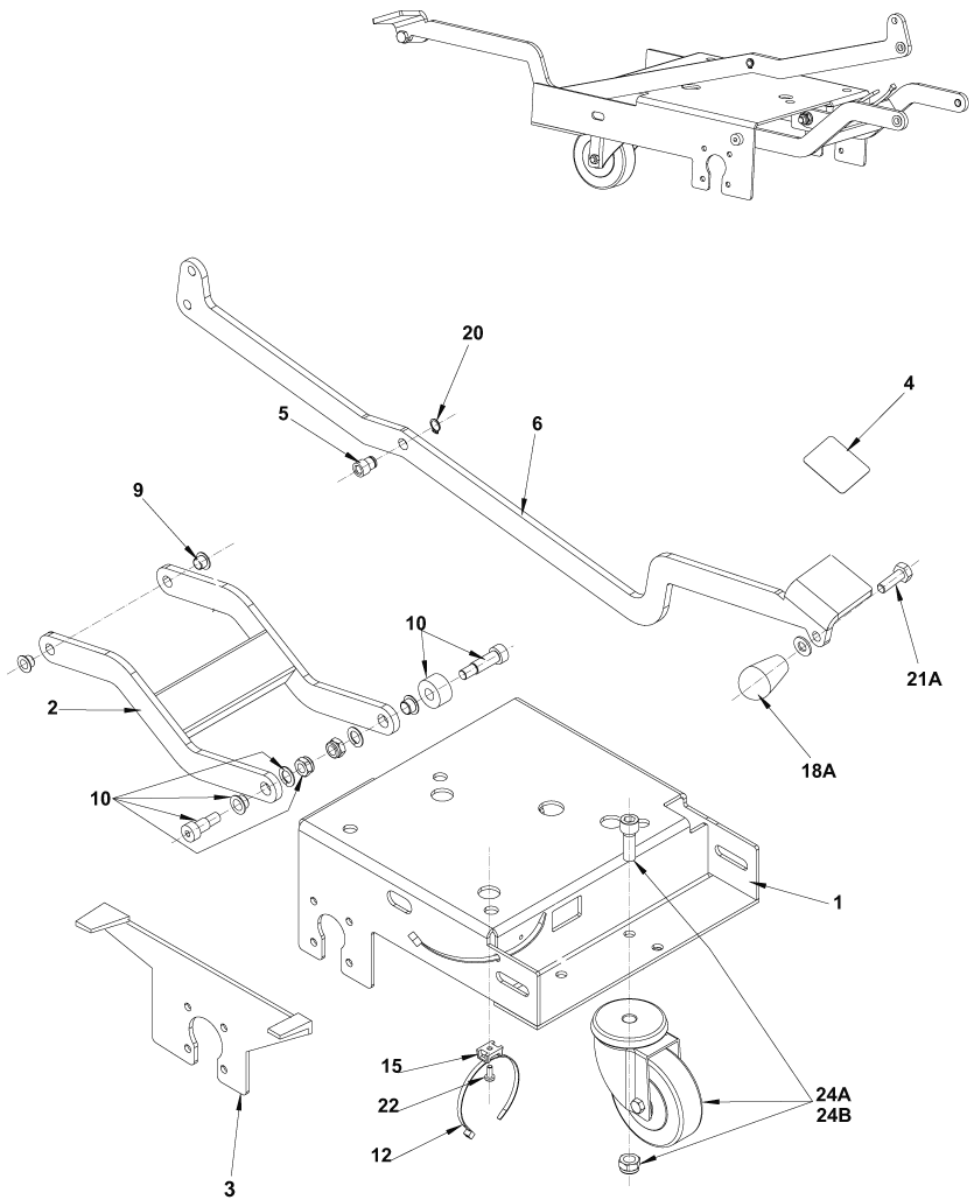


2019.03.21

# TABLE OF CONTENTS

---

Chassis system .....	1
Wheels and traction .....	3
Handle assembly .....	5
Solution system .....	7
Squeegee system BA 551-551D-551CD .....	9
Squeegee system BA 611D before s.no.082115832 .....	11
Bürstensystem - BA551 .....	13
Bürstensystem - BA 551D .....	15
Bürstensystem - BA 551CD .....	17
Bürstensystem - BA611D .....	19
Accessories .....	21
Control panel system BA 551 .....	23
Control panel system BA 551D-551CD-611D .....	25
Electrical components BA 551 .....	27
Solution tank .....	29
Electrical components BA 551D-551CD-611D .....	31
Zubehör BA551- 551D- 611D .....	33
Zubehör BA 551- 551 D- 551 CD- 611 D .....	35
Zubehör BA 551 D - 551 CD - 611 D# .....	37
Wiring diagram BA 551 .....	39
Wiring diagram BA 551D-551CD-611D .....	41
Recommended spare parts .....	43
Recommended spare parts .....	45
Recommended spare parts .....	47
Accessories .....	49
Recovery tank .....	51
Squeegee system BA 611D after s.no.082115832 .....	53



909 6753 000(5)2010-03

Resource notes:

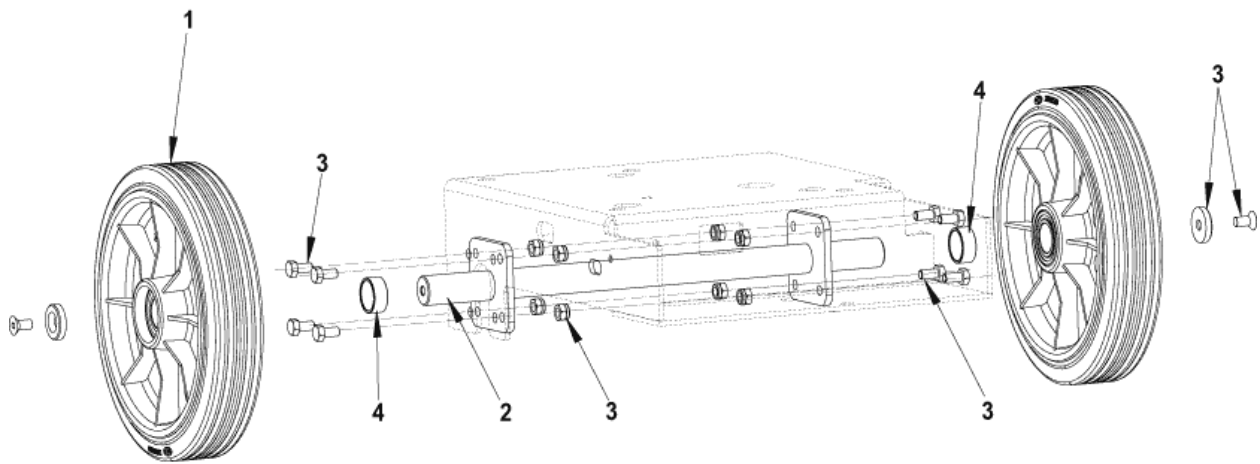
AFOR SCRUBBER WITH DRIVE BFOR SCRUBBER WITHOUT DRIVE

Pos.	Artikel-Nr.	Menge	Variante	Notes
1	909 6481 000	1	Chassis 55 LT	
2	909 6486 000	1	Hebel	
3	9098575000	1	Halter f. Wassertankkit L	[1]
4	909 6539 000	1	Antirutsch-Belag	
5	909 6540 000	1	Buchse	
6	9100001782	1	PEDAL BRUSH LIFTING SIP	
9	909 6594 000	2	Buchse	
10	909 6878 000	1	Satz Befestigungsteile	
12	1466344000	1	TIE CABLE 4.8x200 BLACK 10 PCS SET	
15	909 6595 000	1	Befestigungsset BR 611	
18A	909 6621 000	1	Knopf BR 611	
20	33006051	1	Ring D12	
21A	33004010	1	Schraube	
22	909 6337 000	1	Schraube M5 x 12	
24	9098947000	1	Lenkrollen-Set	[2]
24A	909 6880 000	1	Lenkrolle-Set	
24B	909 6880 000	1	Lenkrolle-Set	
25	9100000335	1	Befestigungs Set, antistatisch	[3]

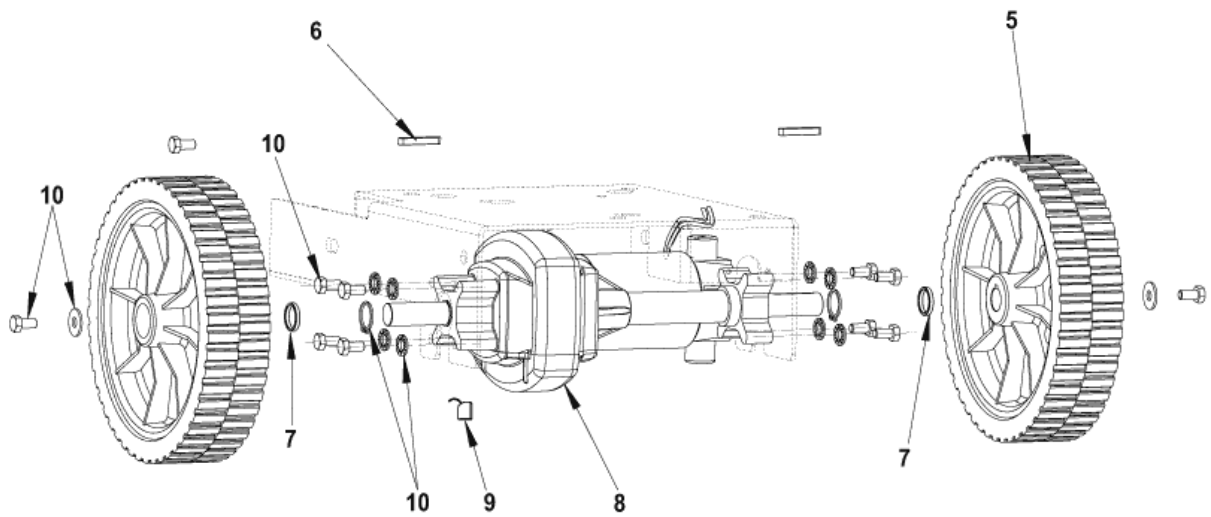
## Part Notes:

- [1] - SEE TSB IT 2009-031 - SEE INST. INSTR. 9098576000  
 [2] - OPTIONAL - WIDER WHELL FOR SPECIAL APPLICATIONS  
 [3] - NOT SHOWN

**SENZA TRAZIONE / WITHOUT TRACTION  
( BA 551 )**



**CON TRAZIONE / WITH TRACTION  
( BA 551 D / BA 551 DC / BA 611 D )**

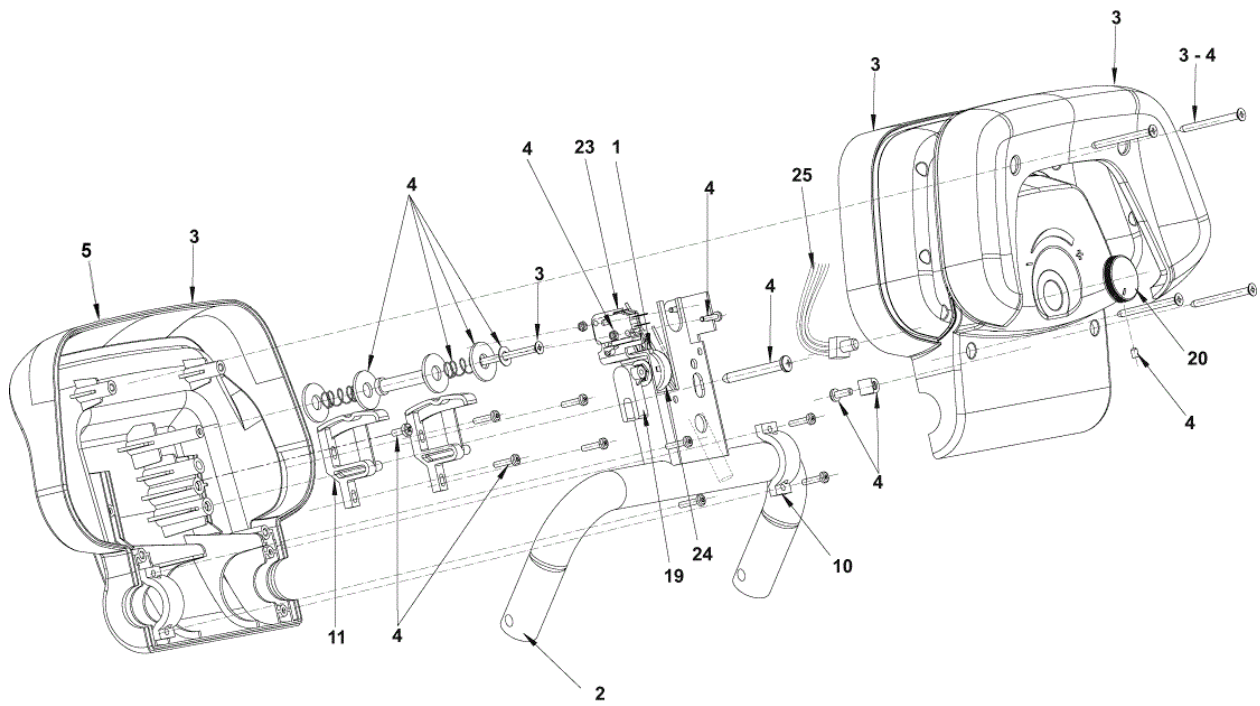


Pos.	Artikel-Nr.	Menge	Variante	Notes
1	909 6503 000	2	Vorderrad D.250	
2	9100002135	1	SHAFT WHEELS GALV. SIP	
3	9098299000	1	Radbefestigungskit	
4	9098452000	1	HARDWARE WHEELS SYSTEM KIT	
5	9099691000	1	Radkit (only Wheels)	[1]
5	9100000551	1	WHEELS D.250 GREY-BLACK KIT	[1]
5	9097026000	2	Antriebsrad	[2]
6	146 0769 000	2	Keil BA 451 6x6x40	
7	9100001161	1	SPACER 20.5X25X4 10 PCS SET	
8	909 6548 000	1	Motor 200 W 24V	
9	145 5124 000	2	Kohlenbürste BA 650S	
10	9098298000	1	Befestigungs-Kit f.	

## Part Notes:

- [1] - included 2 wheels  
[2] - ITEM NO LONGER AVAILABLE

OPTIONAL

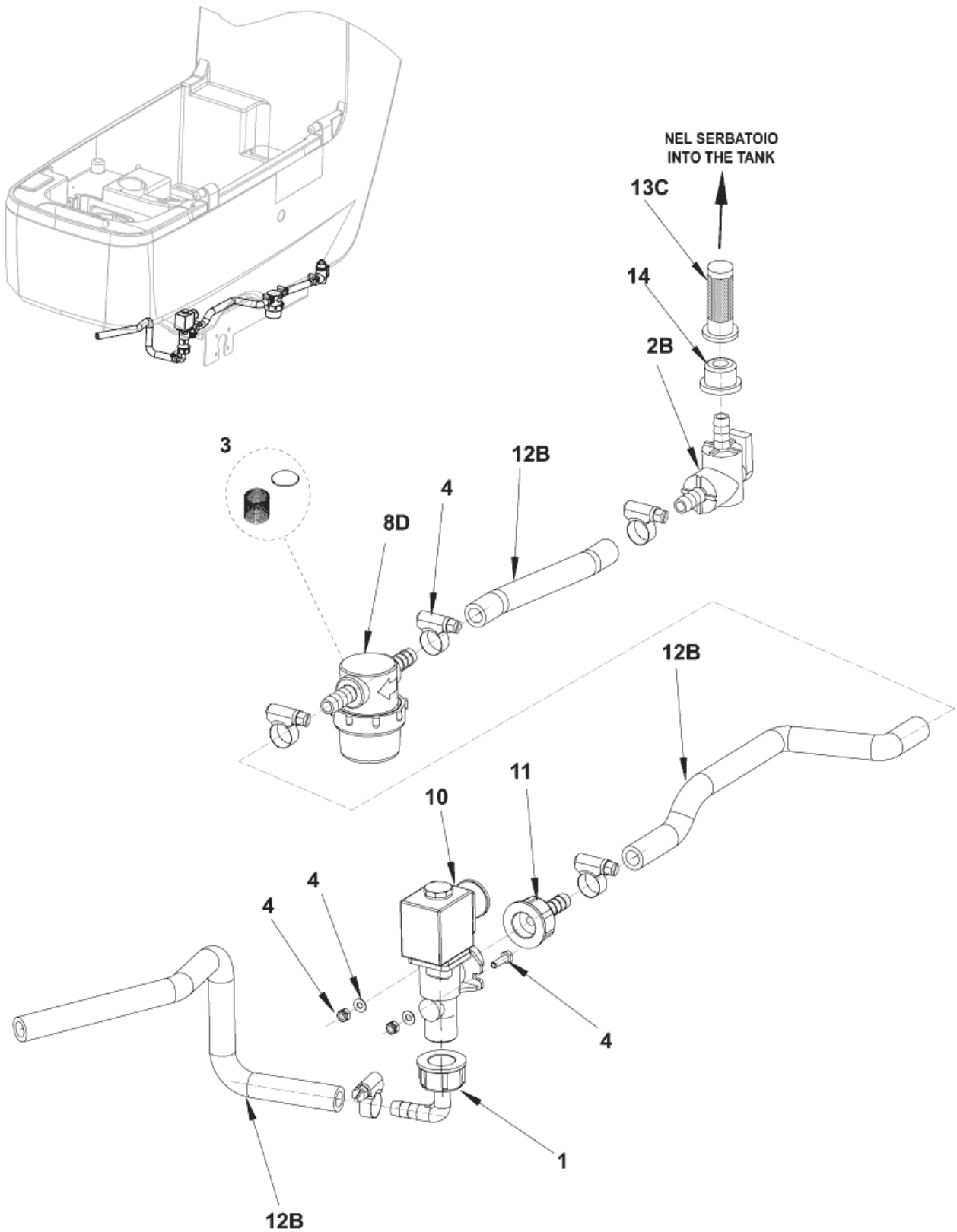


Pos.	Artikel-Nr.	Menge	Variante	Notes
1	909 6578 000	1	Kabel BA 611	
2	909 6059 000	1	Rohr, gebogen	
3	9097622000	1	Schaltergehäuse BA 611	
4	9098300000	1	Fixierkit BA 451	
5	9098792000	1	Gehäuseunterteil Kit	[1]
10	L08812279	2	Briede zu BA 600S	
11	L08812282	2	Nockensteuerung /Microschzu BA 650/S	
19	909 6038 000	1	Potentiometergestänge	
20	909 6471 000	1	Drehknopf Potentiometer	
23	9100000792	1	MICROSWITCH 16A 250V PKD	
24	9100001062	1	POTENTIOMETER 5K 40 PKD	
25	909 6544 000	1	Verkabelung Potentiometer zu BA 451	

## Part Notes:

[1] - NOT SHOWN - SEE TSB IT 2010-060



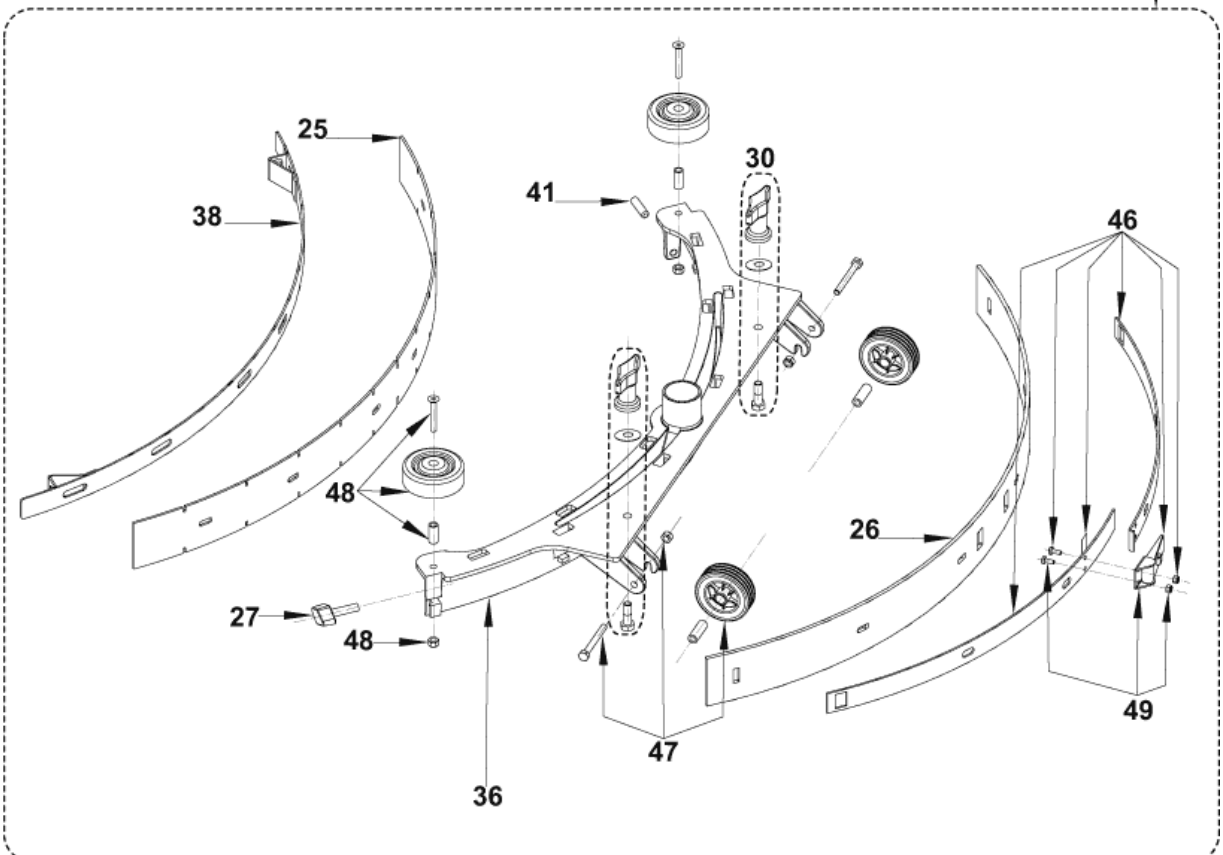
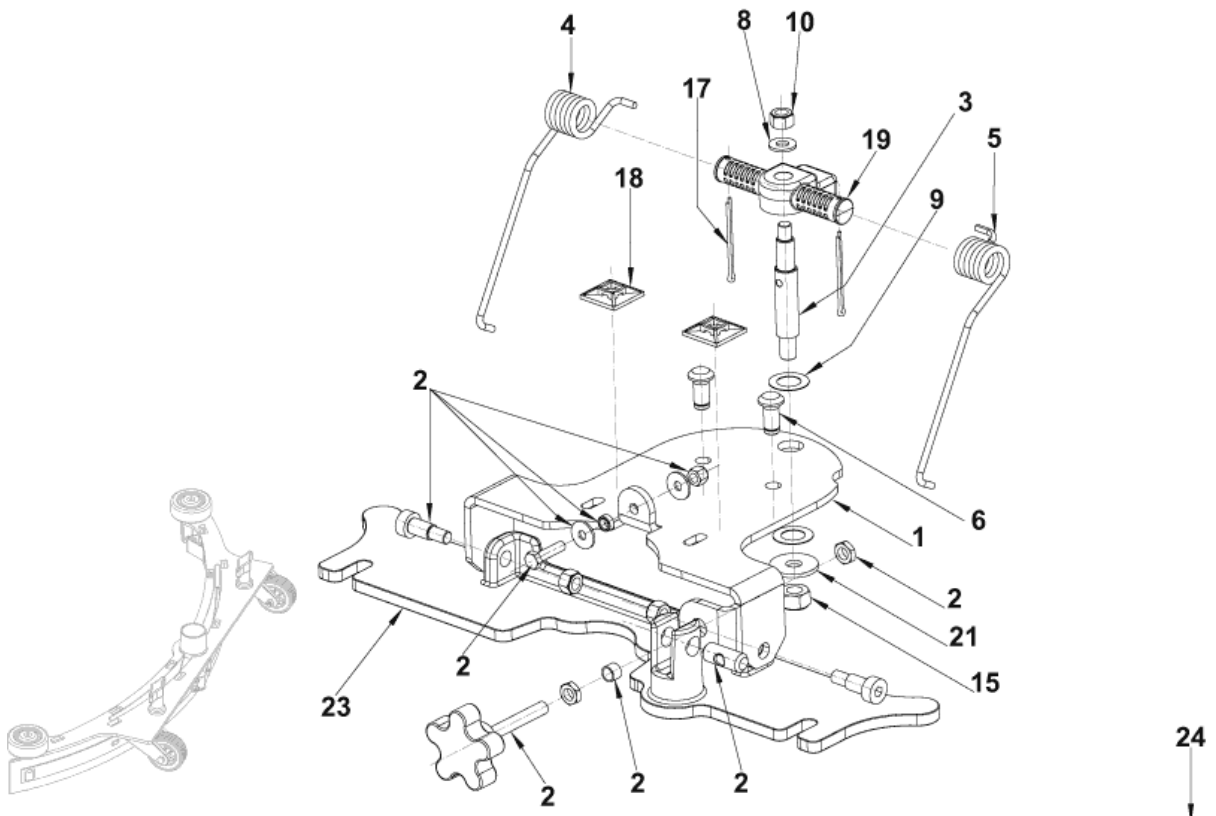


Pos.	Artikel-Nr.	Menge	Variante	Notes
00B	909 6805 000	1	Schlauch-Kit	[1]
1	9098777000	1	Schlauchwinkel 10/90	
2B	9096994000	1	Wasserventil	[2]
3	L08603893	1	Frischwasserfilter mitDichtung zu BA 430	
4	9098301000	1	Hardware Solution System	
8D	9097166000	1	Filter komplett Kit	[3]
10	909 6555 000	1	Magnetventil 24 V	
11	9100000106	1	HOLDER RUBBER 1/2 FEMALE KIT	
12B	9096996000	1	Schlauchkit	[2]
13C	9100001353	1	FILTER SOLUTION TANK PKD	[4]
14	909 5286 000	1	Dichtung BA 430S	

## Part Notes:

- [1] - NOT SHOWN - SEE TSB IT 2007-027a
- [2] - SEE TSB IT 2007-027a
- [3] - SEE TSB IT 2007-021
- [4] - OPTIONAL

SEE TSB IT 2007-015



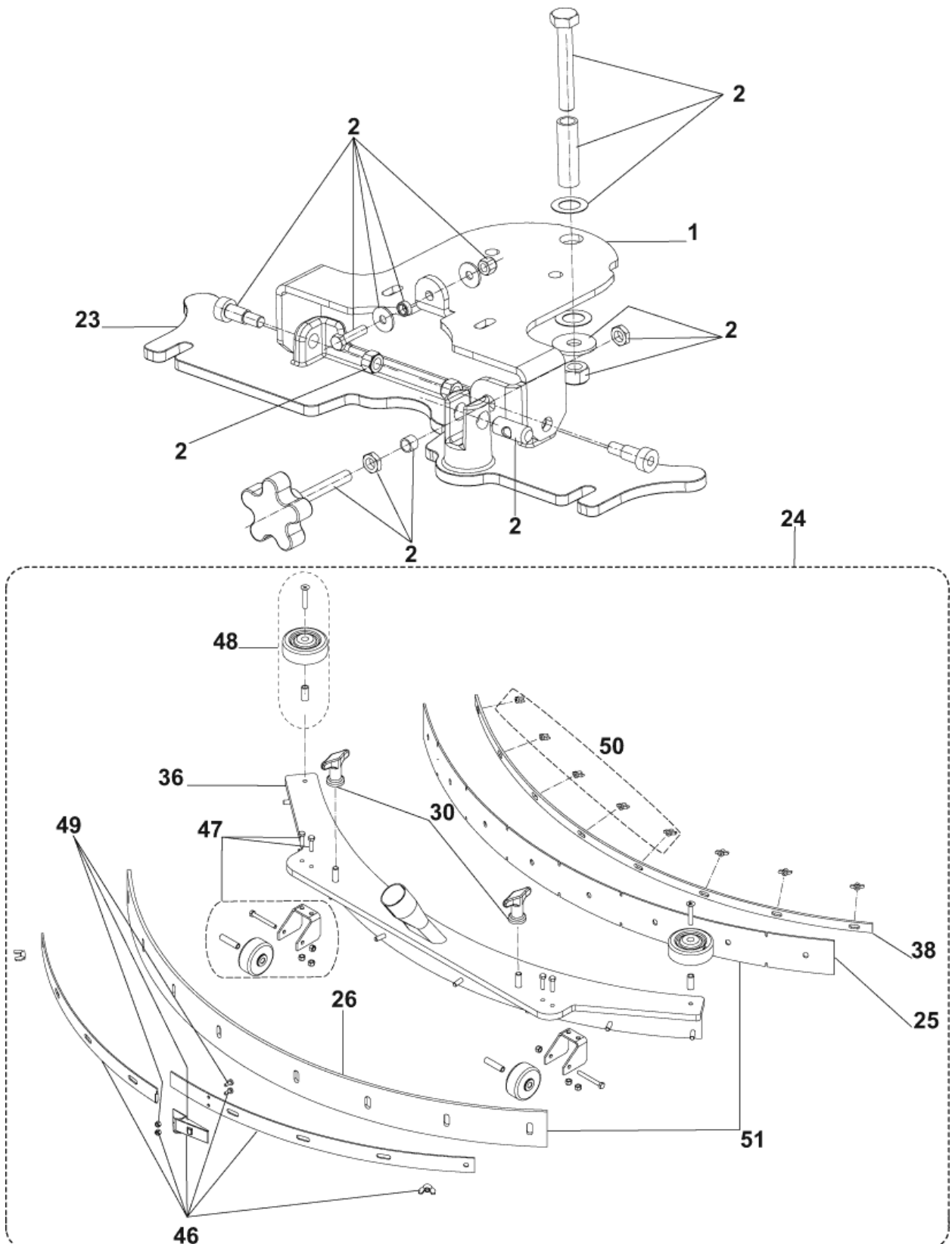
Resource notes:

POSITIONS 25-26: 909 6483 000 - 909 6484 000 included in the kit 909 6860 000

Pos.	Artikel-Nr.	Menge	Variante	Notes
00	9097548000	1	Nylonscheibe BA 451	[1]
1	909 6494 000	1	Halterung f. Aufnahme	
2	909 6885 000	1	Gummilippenhalter Kit	
3	909 6497 000	1	Bolzen	
4	909 6537 000	1	Feder	
5	909 6538 000	1	Feder	
6	909 6543 000	2	Bolzen	
8	33023208	1	WASHER M8 UNI6592 10 PCS SET	
9	L08238300	2	SCHEIBE 25X3X15 POLYAMID	
10	33023574	1	NUT LOCK HEX M8 ISO10511 PCS 10 SET	
15	33005608	1	Mutter	
17	33005758	2	Splint	
18	909 6635 000	2	Halteplatte	
19	9100000515	1	SUPPORT SQUEEGEE SPRING PKD	
21	L08604251	1	Scheibe 10,5 vz	
23	909 6045 000	1	Saugfusshalter	
24	909 6851 000	1	Saugfuß Kit komplett	
25	9100000279	1	Sauglippen-Set, 740 mm, 29"	
27	9100000791	1	KNOB M8X30 THD STUD SS PKD	
30	9097637000	1	Befestigungsset BA 551	
36	909 6044 000	1	Saugbalken	
38	909 6055 000	1	Halteband f. Gummilippe	
41	909 6600 000	1	Schraube M8X30 UNI5929 SS	
46	909 6882 000	1	Befestigungsset	
47	909 6883 000	2	Stützrad zu BA 451	
48	909 6884 000	2	Abweisrollenkit BA 451	
49	909 6394 000	1	Verschluss BA 451	

## Part Notes:

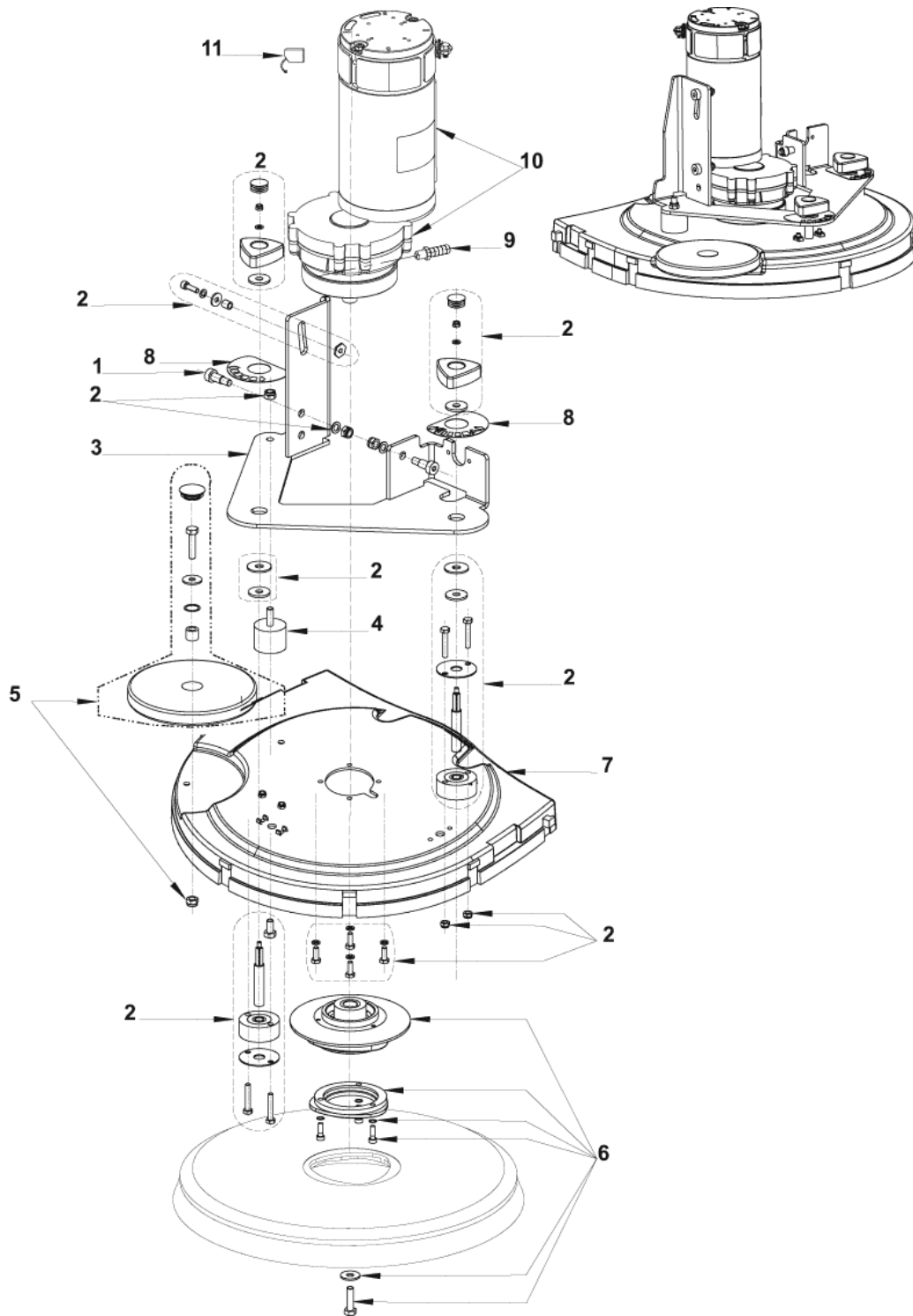
[1] - NOT SHOWN - SEE IT 2007-031



Pos.	Artikel-Nr.	Menge	Variante	Notes
00	909 6886 000	1	Befestigungskit f.	[1]
1	909 6494 000	1	Halterung f. Aufnahme	
2	9098527000	1	Befestigungskit	
23	909 6045 000	1	Saugfusshalter	
24	9097539000	1	Absaugleistenkit kpl. Alu	
25	909 5629 000	1	Sauglippe vorne	[2]
30	9097637000	1	Befestigungskit BA 551	
36	9097198000	1	Saugbalken Alu	
38	L08603831	1	Leiste vorne SaugfussBA 650S	
46	909 6894 000	1	Befestigungskit Abzieher-	
47	9100000573	2	WHEEL SQUEEGEE KIT	
48	L08603880	2	Abweissrollen-Kit A 430S	
49	909 6394 000	1	Verschluss BA 451	
50	909 6356 000	2	Flügelmutter Kit	
51	9100000280	1	Sauglippen-Set, 840 mm, 33"	

## Part Notes:

- [1] - NOT SHOWN  
 [2] - OPTIONAL

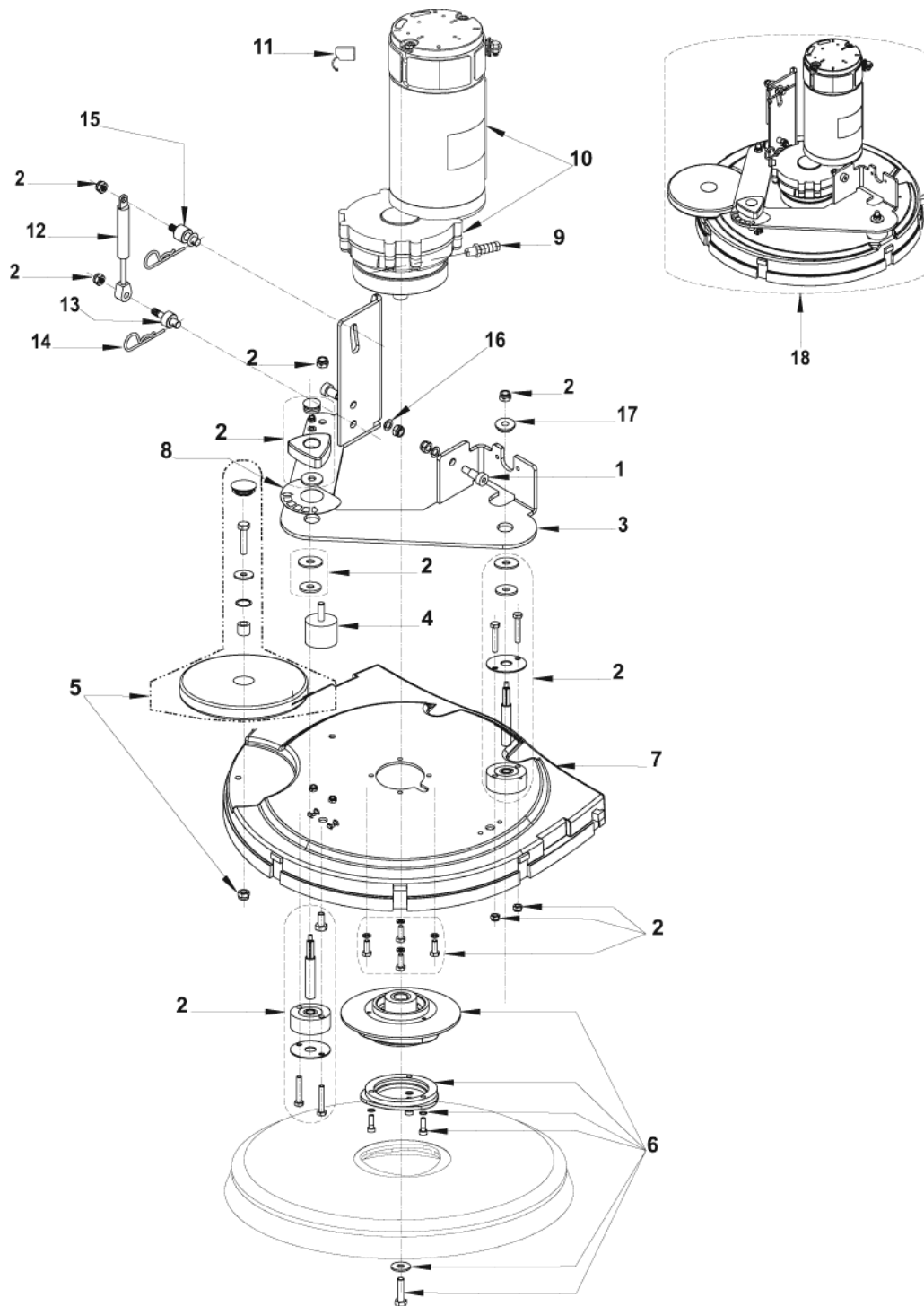


Pos.	Artikel-Nr.	Menge	Variante	Notes
00	9097599000	1	Motorschutz Kit	[1]
1	9100001160	1	SCREW SHOUL 10X16 M8 ISO7379 10 PCS SET	
2	9099419000	1	Befestigungskit f.	
3	909 6485 000	1	Aufnahme	
4	9100000868	1	VIBRATION DAMPING M8 60SH 2 PCS SET	
5	909 6887 000	1	Abweisrollenkit	
6	9097093000	1	Polygonalhalter-Kit	
7	909 6042 000	1	Bürsten-Deck	
8	9097773000	1	Aufkleberkit BA551/611	
9	L08601624	1	Schlauchnippel 1/4 x 10	
10	9098308000	1	Bürstenmotor 450 W 24V	[2]
10	1466147000	1	KEY 5X5X20 UNI6604A PKD	[3]
11	9098376000	1	CARBON BRUSHES KIT 4 PCS	[4]
11	9098674000	1	CARBON BRUSHES KIT 4 PCS	[5]
11	909 5380 000	1	Kohlebürste Kit	[6]

Part Notes:

- [1] - SEE TSB-FC-2015-035  
  
NOT SHOWN - OPTIONAL - INST.INSTR. 9097600000 FOR 909 6546 000 - SEE TSB IT 2008-014  
see TSB FC 2015-035 (COMING SOON)
- [2] - STARTING FROM SERIAL NUMBER 111534145
- [3] - NOT SHOWN - ALREADY INCLUDED IN REDUCTION GEARMOTOR
- [4] - FOR REDUCTION GEARMOTOR 9098308000 (AMER)
- [5] - FOR REDUCTION GEARMOTOR 9098352000 (VIPER)
- [6] - FOR REDUCTION GEARMOTOR 909 6546 000 (LEROY SOMER)  
STOCK COVERS GUARANTEE

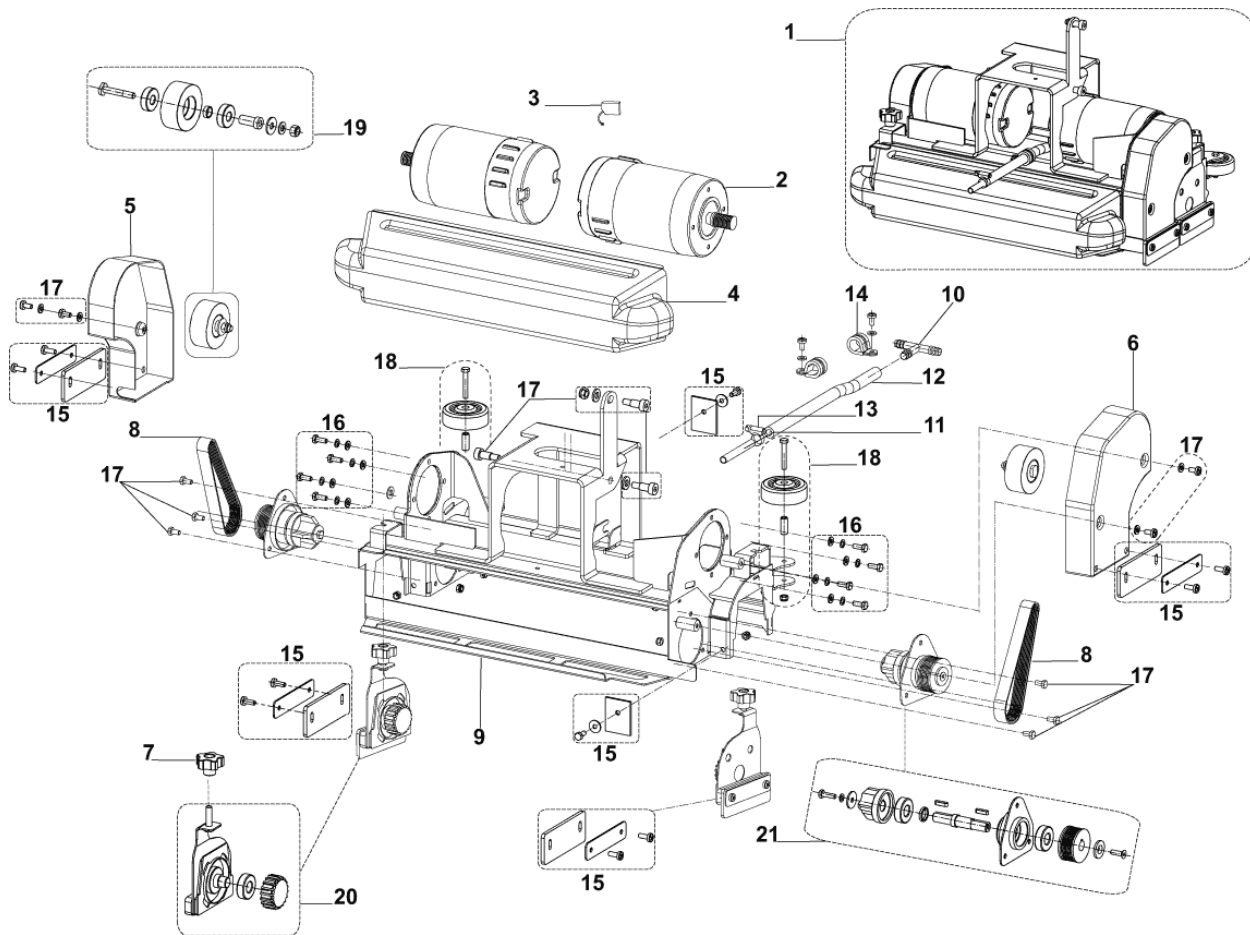




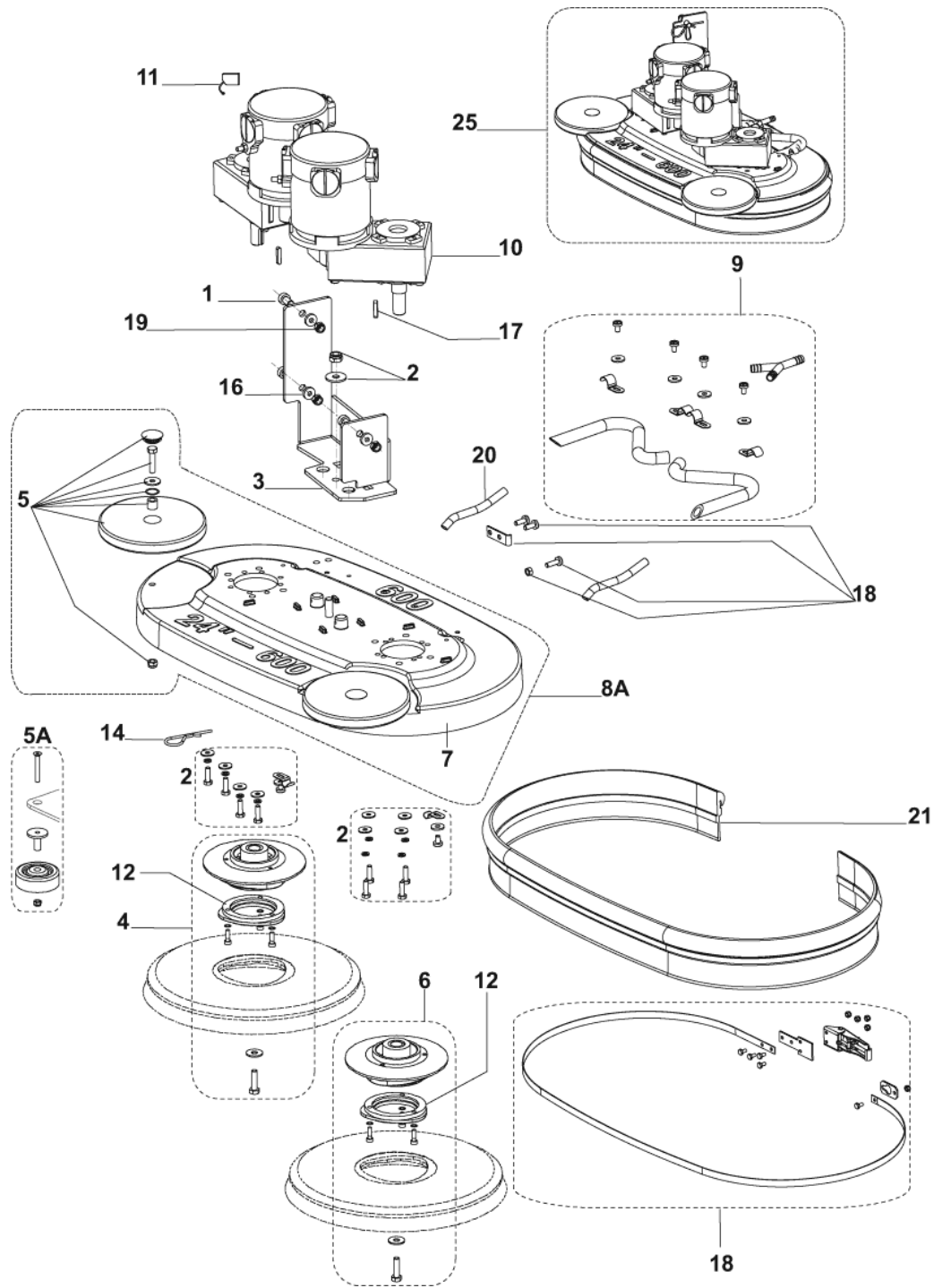
Pos.	Artikel-Nr.	Menge	Variante	Notes
00	9097599000	1	Motorschutz Kit	[1]
1	9100001160	1	SCREW SHOUL 10X16 M8 ISO7379 10 PCS SET	
2	9099419000	1	Befestigungskit f.	
3	909 6485 000	1	Aufnahme	
4	9100000868	1	VIBRATION DAMPING M8 60SH 2 PCS SET	
5	909 6887 000	1	Abweisrollenkit	
6	9097093000	1	Polygonalhalter-Kit	
7	909 6042 000	1	Bürsten-Deck	
8	9097773000	1	Aufkleberkit BA551/611	
9	L08601624	1	Schlauchnippel 1/4 x 10	
10	9098308000	1	Bürstenmotor 450 W 24V	[2]
10	1466147000	1	KEY 5X5X20 UNI6604A PKD	[3]
11	9098376000	1	CARBON BRUSHES KIT 4 PCS	[4]
11	909 5380 000	1	Kohlebürste Kit	[5]
12	909 6514 000	1	Gasdruckfeder	
13	909 6516 000	1	Pin unten	
14	1467692000	1	PIN SPRING COTTER 3X56 GALV. 2 PCS SET	
15	909 6515 000	1	Bolzen	
16	33023224	2	WASHER PLAIN M10 ISO7089 10 PCS SET	
17	909 6513 000	1	Flanschbuchse	
18	909 6853 000	1	Bürstendeck-Set 530 mm, 21"	

Part Notes:

- [1] - SEE TSB-FC-2015-035  
  
NOT SHOWN - OPTIONAL - INST.INSTR. 9097600000 FOR 909 6546 000 - SEE TSB IT 2008-014  
  
see TSB FC 2015-035 (COMING SOON)
- [2] - STARTING FROM SERIAL NUMBER 111534145
- [3] - NOT SHOWN - ALREADY INCLUDED IN REDUCTION GEARMOTOR
- [4] - FOR REDUCTION GEARMOTOR 9098308000 (AMER)
- [5] - FOR REDUCTION GEARMOTOR 909 6546 000 (LEROY SOMER)  
STOCK COVERS GUARANTEE



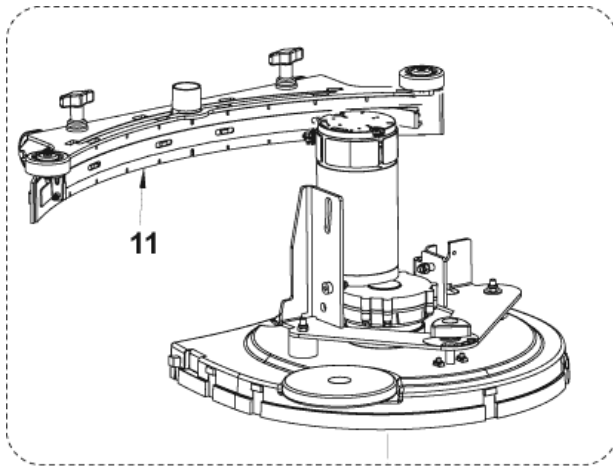
Pos.	Artikel-Nr.	Menge	Variante	Notes
1	909 6854 000	1	Bürstendeck-Set zyl., 510 mm, 20"	
2	9096983000	2	Getriebemotor 300W/ 24V	
3	1464432000	1	Kohle Kit 4 Stück	
4	909 5805 000	1	Schmutzbehälter	
5	909 5818 000	1	Abdeckung, links	
6	909 5817 000	1	Abdeckung, rechts	
7	9100002017	2	KNOB M8 SIP	
8	909 5820 000	2	Riemen BA 551	
9	909 6518 000	1	Grundrahmen C-Deck	
10	145 4366 000	1	HOLDER RUBBER T D.12	
11	909 5772 000	1	HOSE COPPER	
12	909 5870 000	1	Schlauch	
13	33023593	1	CLAMP HOSE 8-16/9 DIN3017 2 PCS SET	
14	909 5516 000	2	CLAMP HOSE D.18	
15	9098489000	1	Seitengummi	
16	9098490000	1	Schrauben-Kit	
17	9098491000	1	Schrauben-Kit	
18	9098488000	1	ROLLERS BUMPER KIT	
19	9098485000	2	BELT TENSIONER KIT	
20	9098486000	2	SUPPORT CYL.BRUSH KIT	
21	9098487000	2	SUPPORT PULLEY CYL.BRUSH	
22	909 6620 000	1	Kabelbaum f. Bürstendeck	



Pos.	Artikel-Nr.	Menge	Variante	Notes
00	909 6619 000	1	Kabelbaum f. Bürstendeck	[1]
1	9100001160	3	SCREW SHOUL 10X16 M8 ISO7379 10 PCS SET	
2	9098496000	1	Befestigungskit f.	
3	909 6512 000	1	Klammer f. Bürstendeck	
4	L08812589	1	Polygonaufnahme kpl.	
5	909 6887 000	2	Abweisrollenkit	
5A	909 5894 000	1	Abweisrollenkit BA 650750 / 600 S	[2]
6	L08812589	1	Polygonaufnahme kpl.	
7	909 5344 000	1	Bürstendeckgehäuse BA600S	
8A	9098525000	1	Grundplatte Bürstendeck	[3]
9	909 6891 000	1	Ypsilonset BA 611	
10	9100000678	2	REDUCTION GEARMOTOR 350W 24V PKD	[4]
11	909 6893 000	2	Kohlenbürsteset	
12	L08812480	2	Polygonaufnahme	
14	1467692000	1	PIN SPRING COTTER 3X56 GALV. 2 PCS SET	
16	33023224	3	WASHER PLAIN M10 ISO7089 10 PCS SET	
17	1466146000	2	KEY 5X5X25 UNI6604A PKD	
18	909 5398 000	1	Spritzgummihalterungs-KitBA 600S / BA 65	
19	33023574	1	NUT LOCK HEX M8 ISO10511 PCS 10 SET	
20	909 5228 000	2	Wassereinlass	[5]
21	909 5224 000	1	Spritzgummi	
25	909 6855 000	1	Bürstendeck-Set 610 mm, 24"	

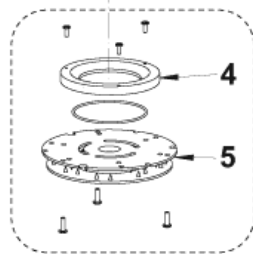
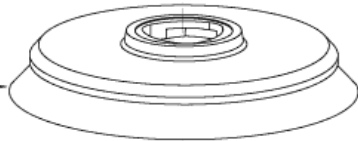
Part Notes:

- [1] - NOT SHOWN
- [2] - FOR PREVIOUS BRUSH DECK SYSTEM
- [3] - F UPDATING PREVIOUS BR.DECK SYSTEM
- [4] - SEE TSB IT 2011-070
- [5] - GUARANTEE DATE EXPIRED



1

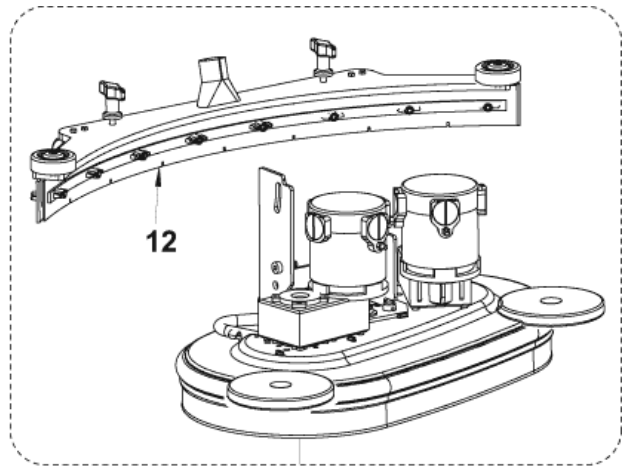
2



3

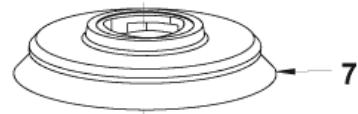
4

5

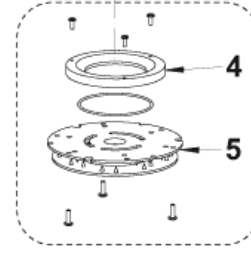


6

12



7

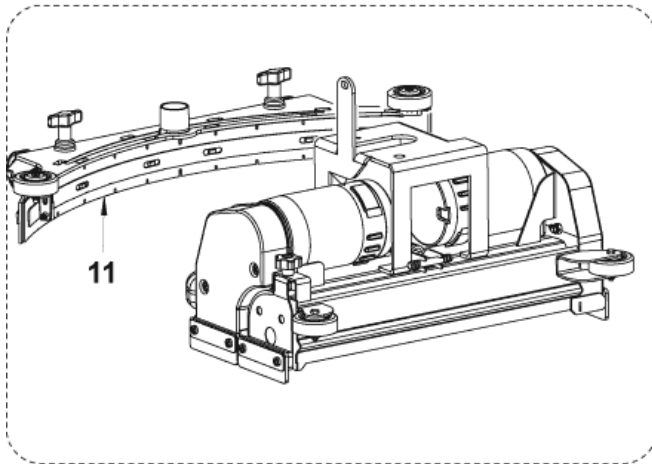


8

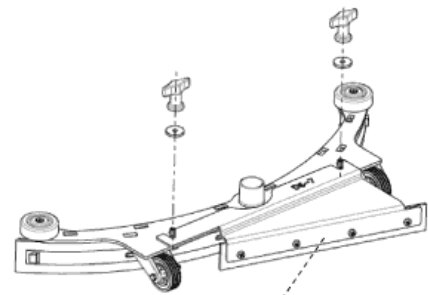
4

5

9



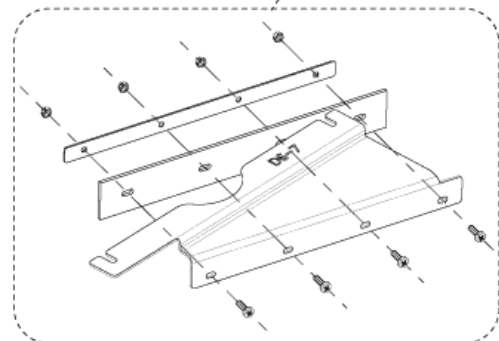
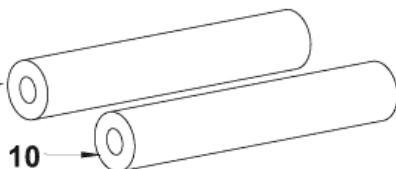
11



13

10

10

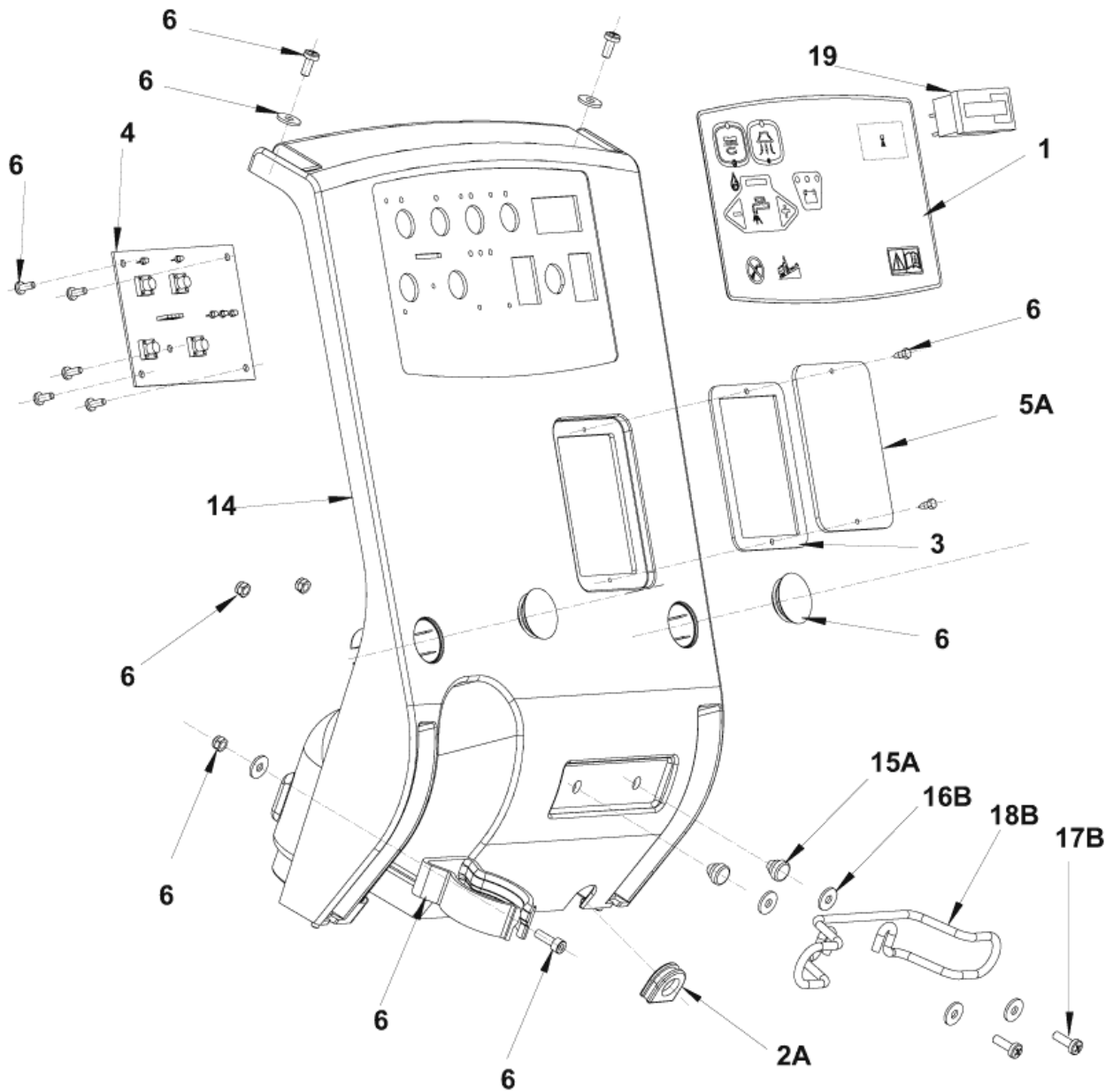


Pos.	Artikel-Nr.	Menge	Variante	Notes
1	909 6848 000	1	Bürstendeck-Set 530 mm, 21"	
2	L08837028	1	Bürste Mid Grit 180, 530 mm	
2	L08837065	1	Bürste Magna Grit 46, 530 mm	
2	L08837067	1	Schleifkornbürste 21" AGLiteGrit 500	
2	L08837026	1	Bürste PPN weich, 530 mm	
2	L08837025	1	Bürste PPN mittel, 530 mm	
2	L08837066	1	Bürste Dyna Grit 80, 530 mm	
2	L08837029	1	Bürste Sica Mid Grit 240, 530mm	
2	L08837027	1	Bürste Union Mix, 530 mm	
3	L08837018	1	Padhalter m. Padverschluß, 530 mm	
4	L08603966	1	Nylon Ring	
5	56505195	1	Padverschluss m. Spange	
6	909 6850 000	1	Bürstendeck-Set 610 mm, 24"	
7	L08603874	2	Bürste Prolite, 305 mm, 12 "	
7	L08603873	2	Bürste Mid Grit 240, 305 mm, 12"	
7	L08603842	2	Bürste Prolene, mittel, 305 mm, 12 "	
7	L08603872	2	Bürste Mid Grit 180, 305 mm, 12"	
7	L08603875	2	Bürste Union Mix, 305 mm, 12"	
8	9099670000	2	Padhalter Ø 305 mm, 12"	
9	909 6849 000	1	Bürstendeck-Set zyl., 510 mm, 20"	
10	909 5823 000	2	Walzenbürste PP 0,4	
10	909 5825 000	2	Walzenbürste abrasiv, PP 0,6	
10	909 5824 000	2	Walzenbürste PP 0,45	
11	909 6851 000	1	Saugfuß Kit komplett	
11	L08603878	1	Saugfuss kompl. BA 430 S	
12	9097539000	1	Absaugleistenkit kpl. Alu	
13	9098343000	1	3 er SeitenbesenCA / BA 451/531/551/611	[1]

## Part Notes:

[1] - SEE INST. INSTR. 9098337000





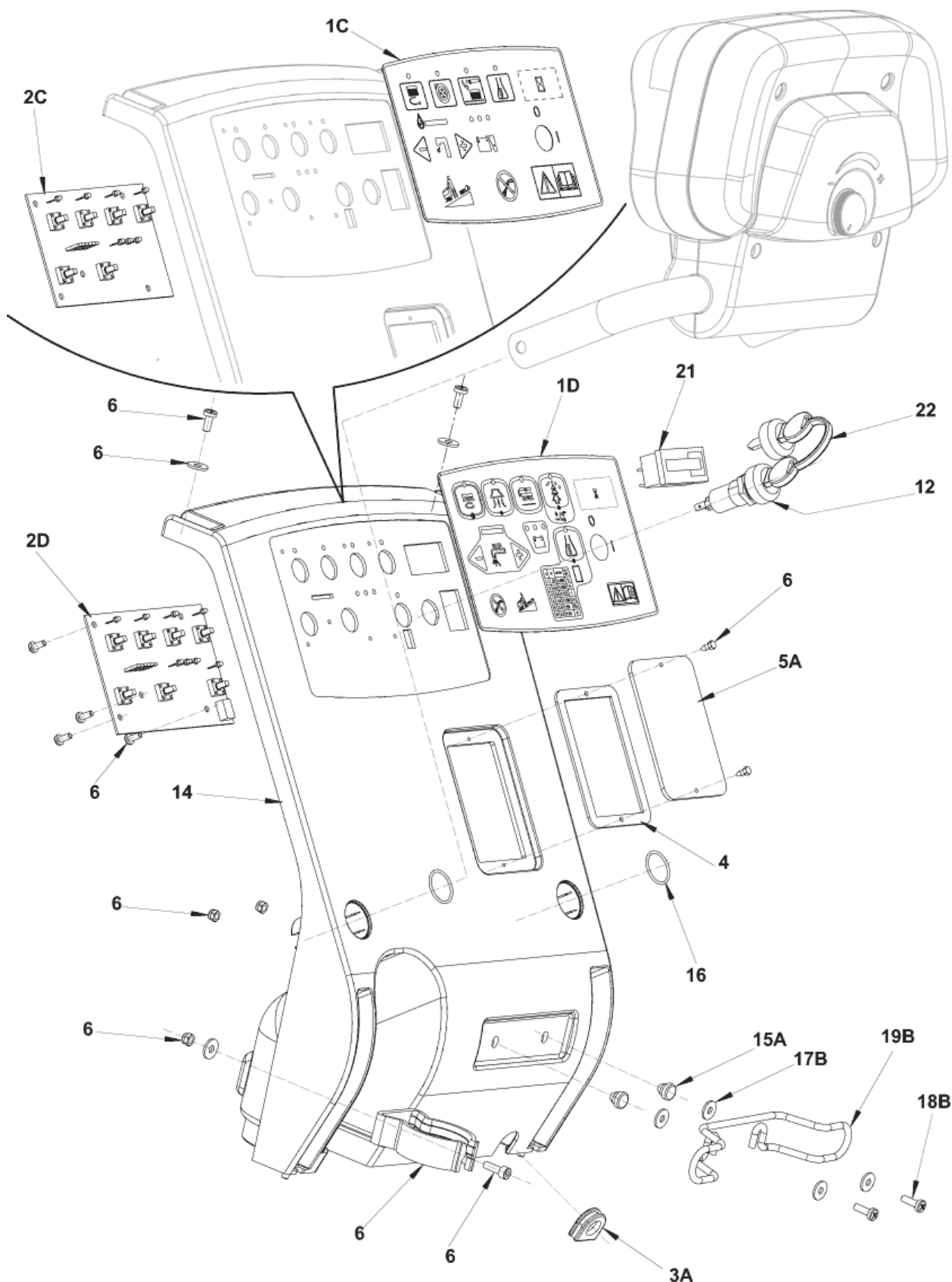
Resource notes:

A : ONLY VERSION WITHOUT BATTERY CHARGER ON BOARD B : ONLY VERSION WITH BATTERY CHARGER ON BOARD

Pos.	Artikel-Nr.	Menge	Variante	Notes
1	9098635000	1	Aufkleber Control Panel	
2A	909 6542 000	1	Abdichtung Kabel	
3	909 6545 000	1	Dichtung	
4	909 6552 000	1	Steuerung BA 531 D	[1]
4	9100000174	1	CARD ELECTRONIC FUNCTIONS KIT	[2]
5A	9100001065	1	COVER F INSPECTION PLATE BLACK PKD	
6	9100001891	1	HARDWARE CONTROL PANEL KIT	
14	9097649000	1	Abdeckung	
15A	909 6553 000	2	Gummi	
16B	1467686000	1	WASHER PLAIN M5X15 ISO7093 10 PCS SET	
17B	146 2090 000	2	Schraube M5x16	
18B	1466317000	1	SUPPORT CABLE KIT	
19	9096951000	1	Betriebsstundenzähler 24V	[3]
20	9100000878	1	FUSE BLADE 3A PKD	[4]
21	1466207000	1	PROGRAMMER F ELECTRONIC CARDS PKD	[4]

## Part Notes:

- [1] - BEFORE SERIAL NO. 072115094
- [2] - STARTING FROM SERIAL NO. 072115094
- [3] - SEE INST. INSTR. 9096952000
- [4] - NOT SHOWN



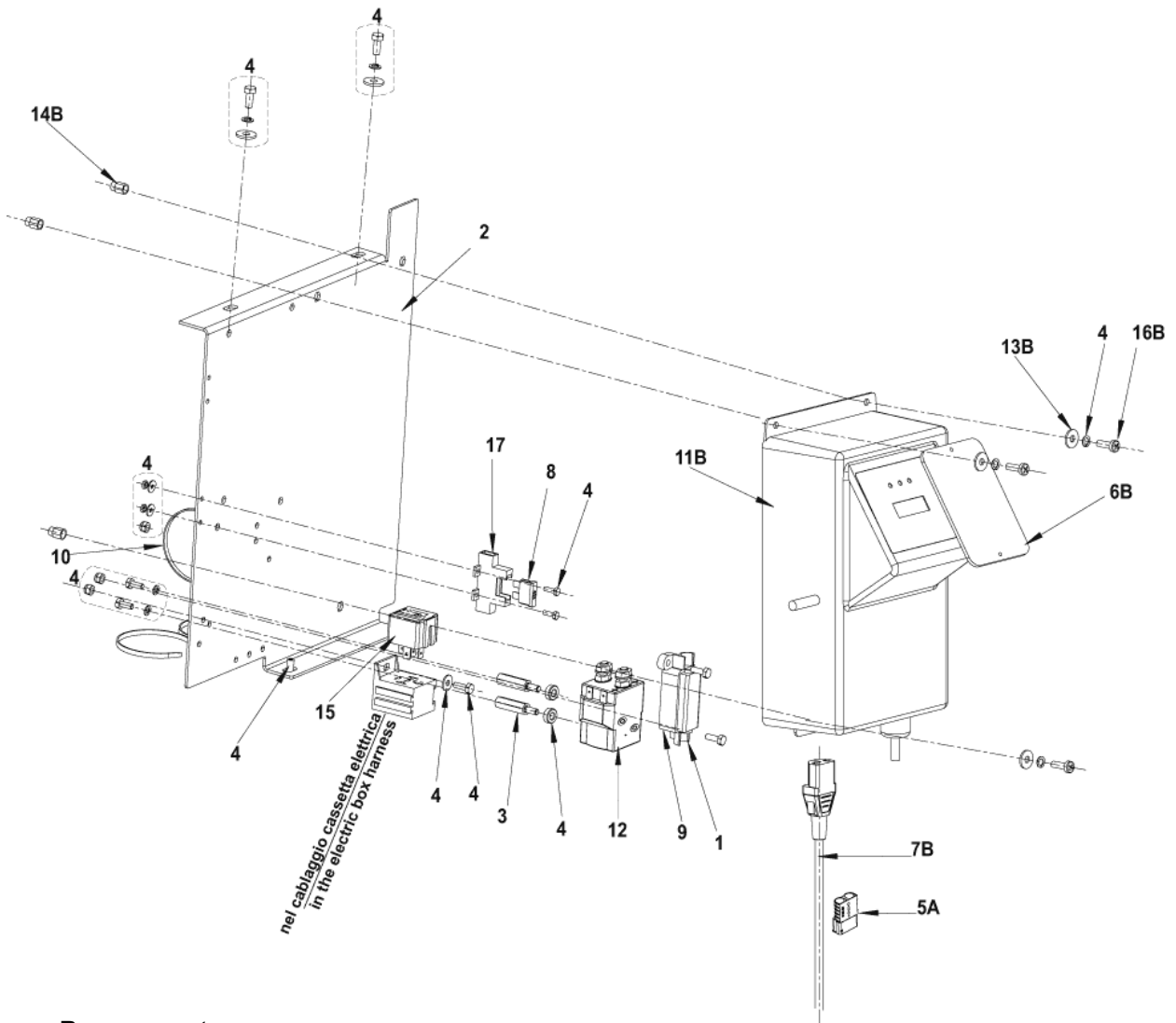
Resource notes:

A : ONLY VERSION WITHOUT BATTERY CHARGER ON BOARD B : ONLY VERSION WITH BATTERY CHARGER ON BOARD POSITION 2 909 6499 000 ONLY FOR MACHINE BEFORE S/N BA 531D 072014255 - BA 451 072115094

Pos.	Artikel-Nr.	Menge	Variante	Notes
00	9100000878	2	FUSE BLADE 3A PKD	[1]
00	909 6678 000	1	Glassicherung 20A	[2]
1C	909 6057 000	1	Bedienungsfolie	[3]
1D	9100001243	1	Bedienpanel ECOFLEX PKD	[4]
2	909 6499 000	1	Elektronikkarte	[5]
2C	9100000175	1	CARD ELECTRONIC FUNCTIONS KIT	[6]
2D	9100000179	1	Elektronik	[4]
3A	909 6542 000	1	Abdichtung Kabel	
4	909 6545 000	1	Dichtung	
5A	9100001065	1	COVER F INSPECTION PLATE BLACK PKD	
6	9100001891	1	HARDWARE CONTROL PANEL KIT	
12	9100001354	1	SWITCH KEY WITH CAP PKD	
14	9100001360	1	COVER GREY F ELECTRIC COMP. BOX PKD	
15A	909 6553 000	2	Gummi	
16	909 6675 000	2	O-Ring	
17B	1467686000	1	WASHER PLAIN M5X15 ISO7093 10 PCS SET	
18B	146 2090 000	2	Schraube M5x16	
19B	1466317000	1	SUPPORT CABLE KIT	
21	9096951000	1	Betriebsstundenzähler 24V	[7]
22	146 2887 000	1	Schlüssel (2 Stück)	

## Part Notes:

- [1] - NOT SHOWN
- [2] - STOCK COVERS GUARANTEE  
NOT SHOWN
- [3] - VALID FORBA 551D, BA551CD, BA 611D -UNTIL S/N 102013837 - ref. ECO 3706
- [4] - VALID FORBA 551D, BA551CD, BA 611D -STARTING FROM S/N 102013838 - ref. ECO 3706 EcoFlex
- [5] - UNTIL S/N 072014254
- [6] - STARTING S/N 072014255  
VALID FORBA 551D, BA551CD, BA 611D -UNTIL S/N 102013837 - ref. ECO 3706
- [7] - SEE INST. INSTR. 9096952000



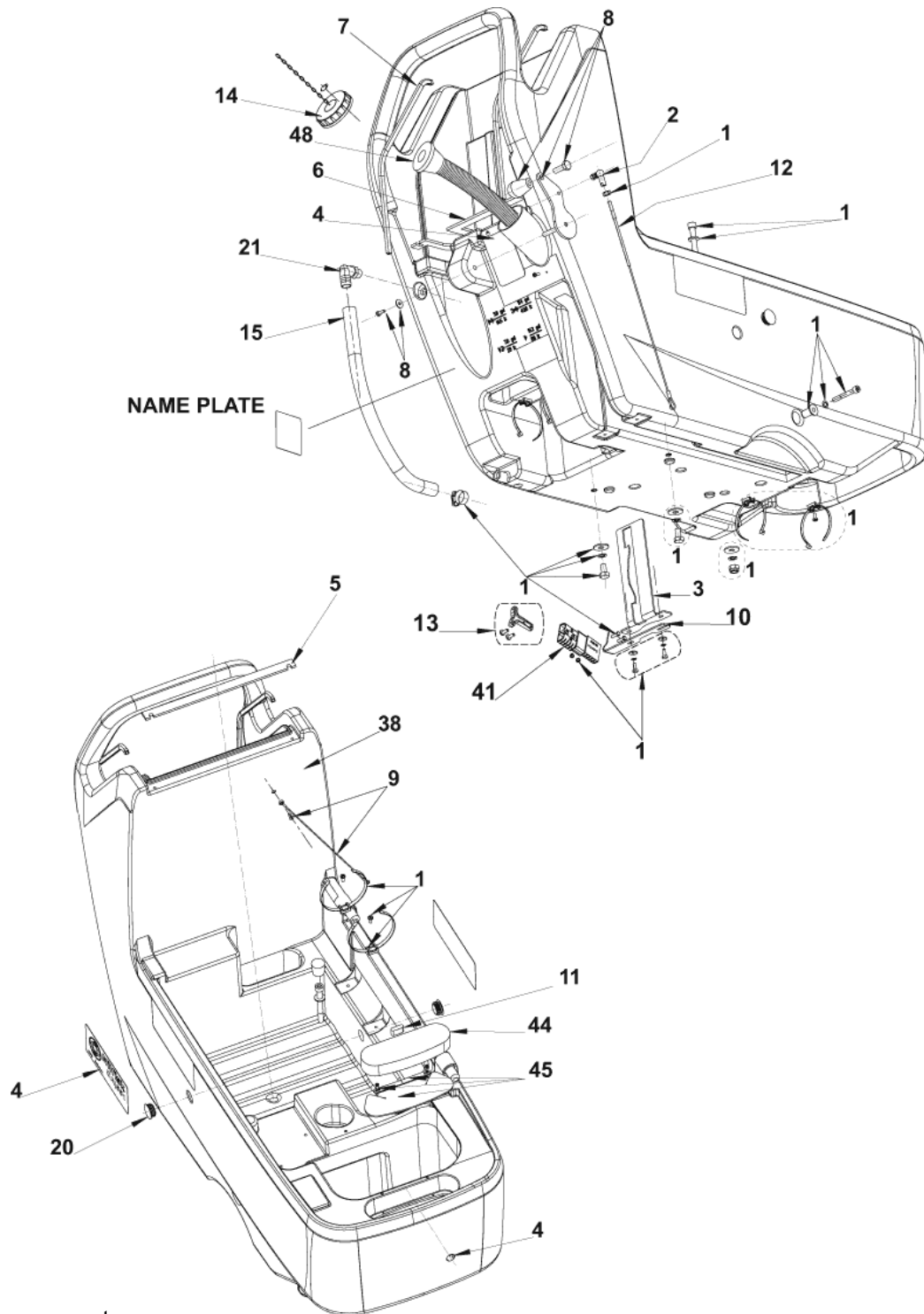
Resource notes:

A : ONLY VERSION WITHOUT BATTERY CHARGER ON BOARD B : ONLY VERSION WITH BATTERY CHARGER ON BOARD

Pos.	Artikel-Nr.	Menge	Variante	Notes
00	909 6613 000	1	Harness Vacuum Motor	
00	909 6614 000	1	HARNESS MACHINE	[1]
00	909 6616 000	1	Elektronikbox	[2]
00	909 6614 000	1	HARNESS MACHINE	[2]
00	9096963000	1	Kabelbaum	[3]
00	9097590000	1	Batterieverbindungskabel	
00	9100001950	1	HARNESS BATTERY KIT	
00	9096961000	1	HARNESS MACHINE	[3]
1	145 8046 000	1	SicherungshalterG11-05000	
2	909 6498 000	1	Support Electric	
3	909 6676 000	2	Distanzbolzen	
4	9098303000	1	Befestigungskit	
5A	9100002117	2	CONNECTOR RED 120A PKD	
6B	9100001064	1	COVER F INSPECTION PLATE TRANSP. PKD	
7B	9096914000	1	Knickschutz	
7B	9100000790	1	CABLE EXTENSION EU PLUG L.1000 PKD	
7B	1466318000	1	CABLE EXTENSION UK PLUG L.2000MM SIP	
8	145 8513 000	1	FUSE BLADE 30A UL	
9	145 3824 000	1	Sicherung 40 A	
10	145 1449 000	3	TIE CABLE 3.6x140 BLACK	
11B	9098297000	1	Einbauladegerät 24V-13A 100-230V EU	
12	9097208000	1	Relais	
13B	33023396	1	WASHER PLAIN M6X12 ISO7089 10 PCS SET	
14B	145 6132 000	3	INSERT M5	
15	909 6622 000	1	Relais 24 V 40 A	
16B	1466964000	1	SCREW M5X20 PAN HD ISO7045 10 PCS SET	
17	1467035000	2	HOLDER FUSE THERMOPL.UL 94-V0 SIP	

## Part Notes:

- [1] - GUARANTEE DATE EXPIRED
- [2] - BEFORE S. NO. 070503008  
GUARANTEE DATE EXPIRED
- [3] - STARTING FROM SERIAL NO. 070503008



Resource notes:

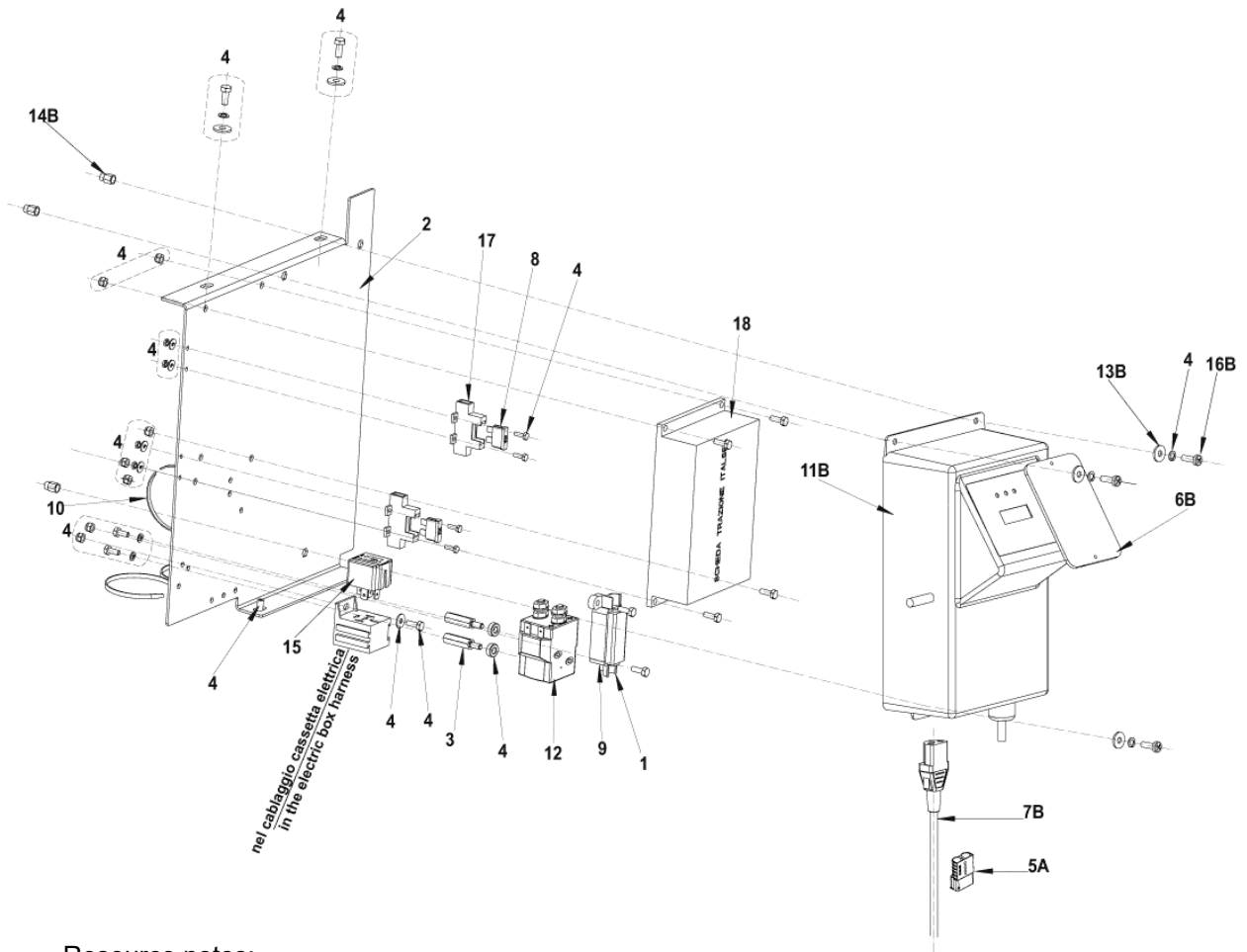
POSITION 12 9098675000 includes also position 2. POSITION 0: CODE 9098575000 VALID FOR DRIVE VERSION ONLY

Pos.	Artikel-Nr.	Menge	Variante	Notes
00	9098575000	1	Halter f. Wassertankkit L	[1]
1	9098265000	1	Befestigungskit	
3	909 6493 000	1	Stütze f. Pedal	
4	9097773000	1	Aufkleberkit BA551/611	
4	9100001266	1	DECALS KIT BEARCAT 20TD	[2]
5	909 6596 000	1	Dichtung	
6	909 6597 000	1	Dichtung	
7	909 6892 000	2	Dichtung L960	
8	9097630000	1	Hebel Saugfussanhebung zu BA 451	
9	909 6874 000	1	CABLE TANK KIT	
10	909 6649 000	1	Klammer	
11	9100001364	1	CAP RUBBER BLACK PKD	
12	9098675000	1	Seil BR 611	[3]
13	9100000885	1	Handgriff	
14	909 6554 000	1	Deckel mit Kette	
15	909 6521 000	1	Frischwasserschlauch	
20	33023302	2	CAP BLACK SIP	
21	9100000770	1	BARB HOSE 90 D.20.5 M 3/8-18 PLASTIC KIT	
38	9100001363	1	TANK SOLUTION 55 LT GREY PKD	
41	9100002117	2	CONNECTOR RED 120A PKD	
44	909 6671 000	1	Schwamm Frischwassertank zu BA 611	
45	9098449000	1	RUBBER ANTISPLASH KIT	
48	9097290000	1	Frischwasserfüllschlauch	[4]

## Part Notes:

- [1] - NOT SHOWN - SEE TSB IT 2009-031 - SEE INST. INSTR. 9098576000  
 [2] - FOR BEARCAT 20TD TRIPLE S  
 [3] - SEE IT 2010-053 - SEE INST. INSTR. 9098672000  
 [4] - OPTION - SEE TSB-FC-2016-020





Resource notes:

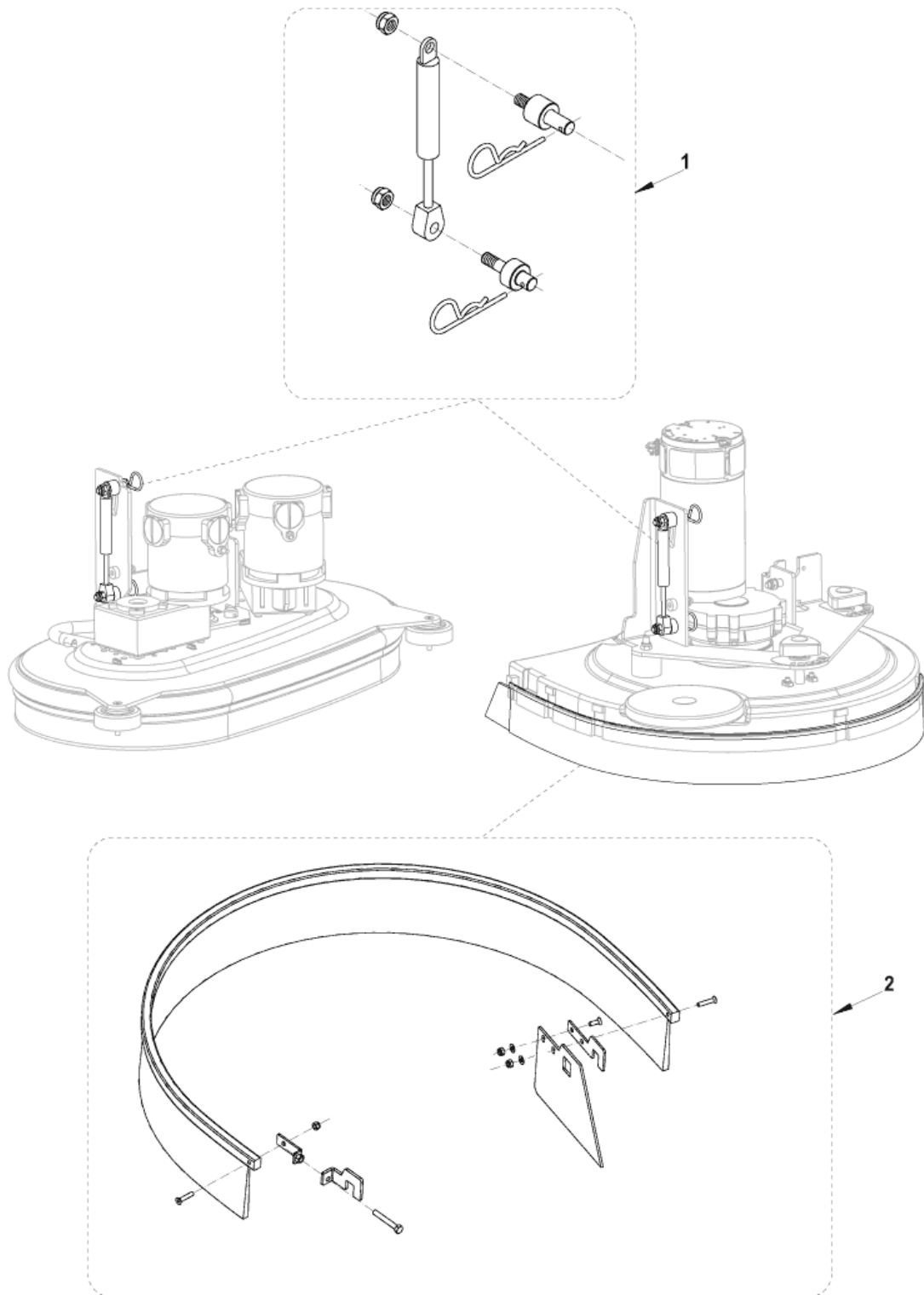
A : ONLY VERSION WITHOUT BATTERY CHARGER ON BOARD B : ONLY VERSION WITH BATTERY CHARGER ON BOARD

Pos.	Artikel-Nr.	Menge	Variante	Notes
00	909 6613 000	1	Harness Vacuum Motor	
00	909 6617 000	1	Kabelbaum	[1]
00	9096964000	1	HARNESS ELECTRIC BOX	[2]
00	9097590000	1	Batterieverbindingkabel	
00	9100001950	1	HARNESS BATTERY KIT	
00	909 6615 000	1	Kabelbaum Fahrtrieb	[1]
00	9096962000	1	Kabelbaum	[3]
00	9098639000	1	HARNESS TRACTION MACHINE	[4]
1	145 8046 000	1	SicherungshalterG11-05000	
2	909 6498 000	1	Support Electric	
3	909 6676 000	2	Distanzbolzen	
4	9098303000	1	Befestigungskit	[5]
5A	9100002117	2	CONNECTOR RED 120A PKD	
6B	9100001064	1	COVER F INSPECTION PLATE TRANSP. PKD	
7B	9096914000	1	Knickschutz	
7B	9100000790	1	CABLE EXTENSION EU PLUG L.1000 PKD	
7B	1466318000	1	CABLE EXTENSION UK PLUG L.2000MM SIP	
8	145 8513 000	2	FUSE BLADE 30A UL	
9	145 3824 000	1	Sicherung 40 A	
10	145 1449 000	3	TIE CABLE 3.6x140 BLACK	
11B	9098297000	1	Einbauladegerät 24V-13A 100-230V EU	
12	9097209000	1	SWITCH ELECTROMAGNETIC 24V	
13B	33023396	1	WASHER PLAIN M6X12 ISO7089 10 PCS SET	
14B	145 6132 000	3	INSERT M5	
15	909 6622 000	1	Relais 24 V 40 A	
16B	1466964000	1	SCREW M5X20 PAN HD ISO7045 10 PCS SET	
17	1467035000	2	HOLDER FUSE THERMOPL.UL 94-V0 SIP	
18	9100000173	1	Fahrelektronik Kit	
18	1466207000	1	PROGRAMMER F ELECTRONIC CARDS PKD	[6]

## Part Notes:

- [1] - BEFORE S.NO. 065027814  
GUARANTEE DATE EXPIRED
- [2] - STARTING FROM S.NO. 065027814
- [3] - STARTING S/N 065027814  
VALID FORBA 551D, BA551CD, BA 611D -UNTIL S/N 102013837 - ref. ECO 3706
- [4] - VALID FORBA 551D, BA551CD, BA 611D -STARTING FROM S/N 102013838 - ref. ECO 3706 EcoFlex
- [5] - contains all Hardware shown in this system
- [6] - SERVICE TOOL - NOT SHOWN

**KIT EXTRA PRESSIONE - EXTRA PRESSURE KIT  
( BA 551 / BA 611 D )**



**KIT PARASPRUZZI 20" - SPLASH GUARD 20" KIT  
( BA 551 / BA 551 D )**

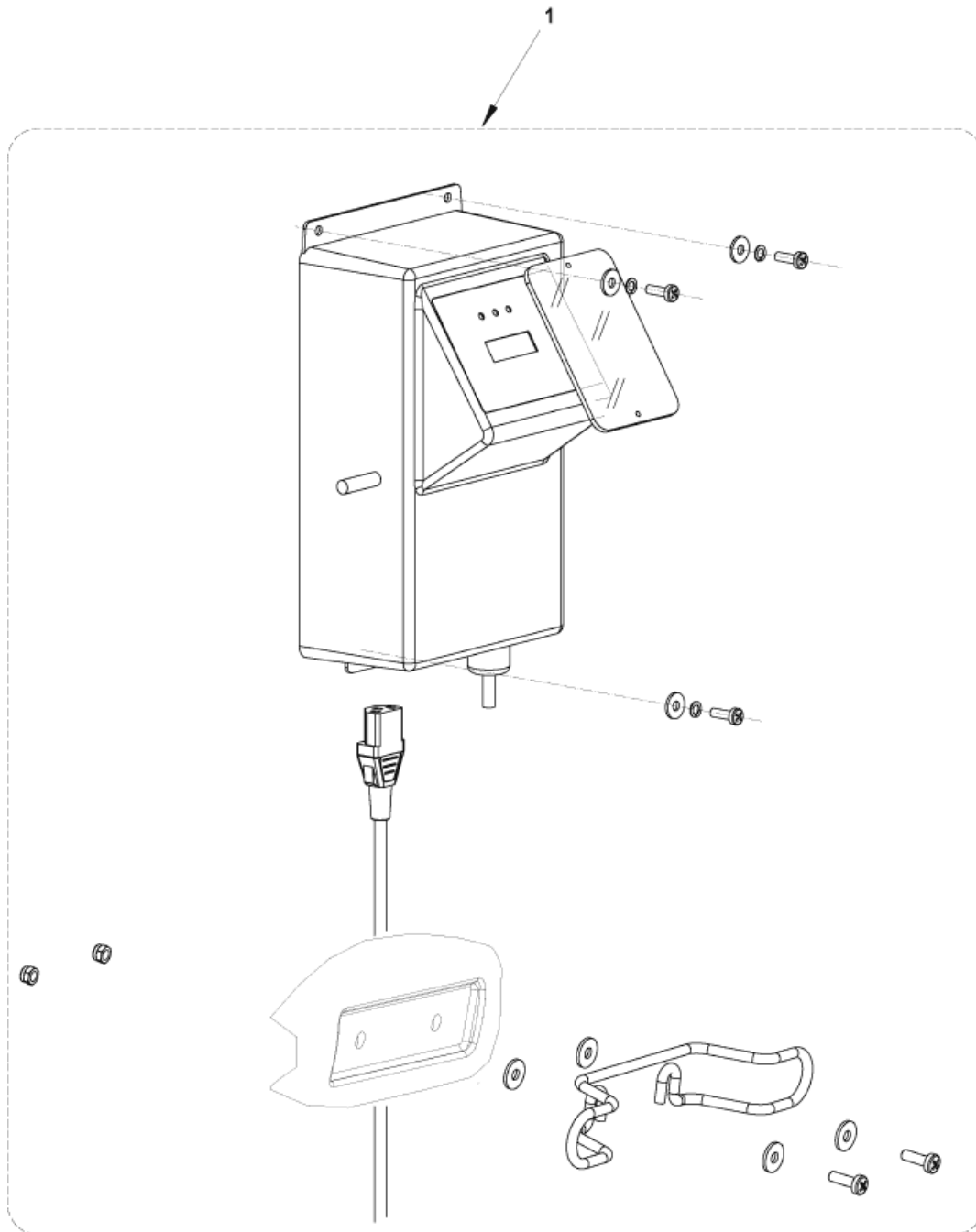
---

Pos.	Artikel-Nr.	Menge	Variante	Notes
1	909 6738 000	1	Gasdruckfeder-Set	[1]
2	909 6736 000	1	Spritzschutz BA 531-551	[2]

## Part Notes:

- [1] - SEE INST. INSTR. 909 6759 000
- [2] - SEE INST. INSTR. 909 6745 000

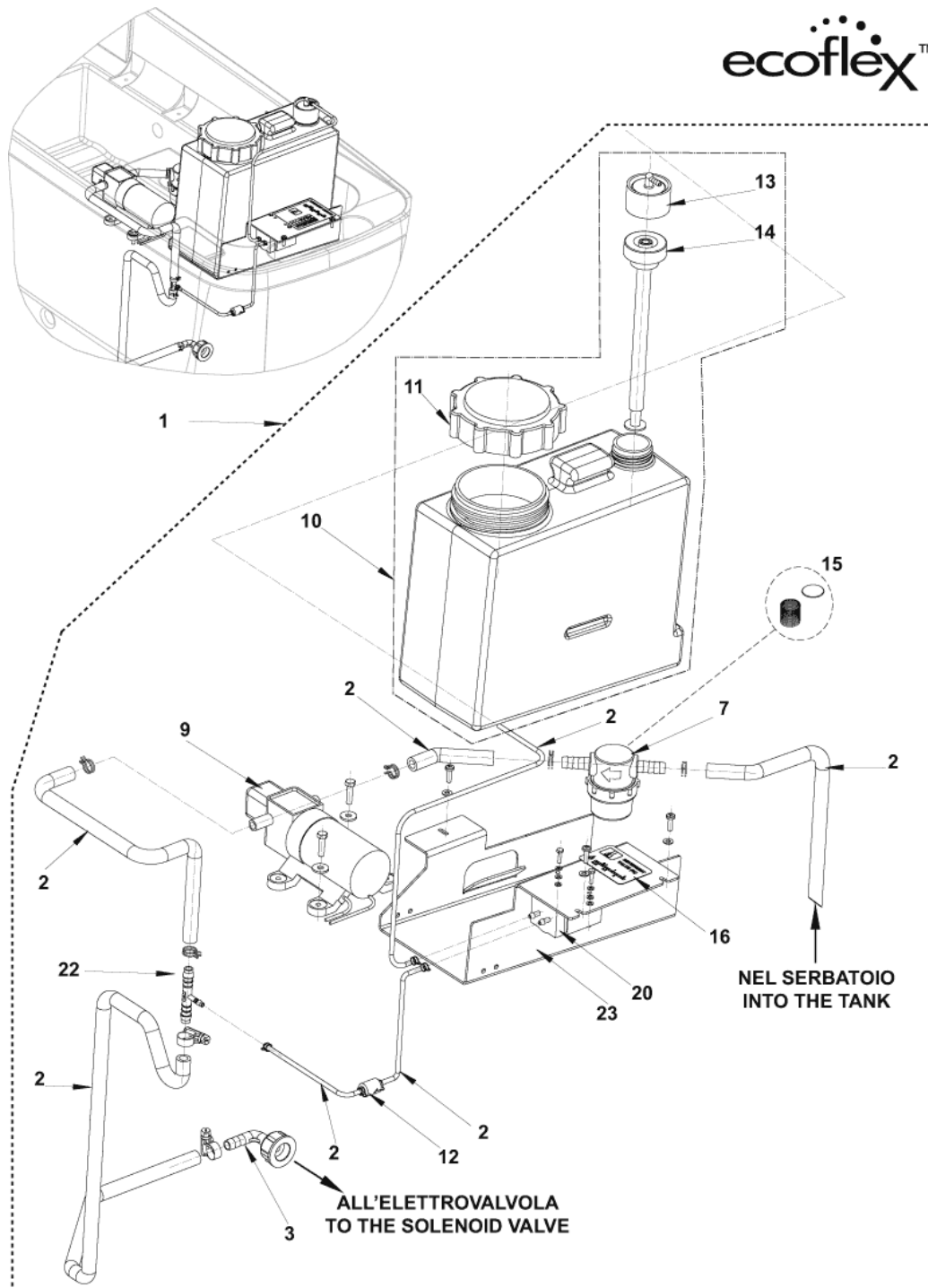
**KIT CARICABATTERIA - BATTERY CHARGER KIT**



Pos.	Artikel-Nr.	Menge	Variante	Notes
00	9096914000	1	Knickschutz	[1]
00	9098260000	1	CHARGER BATT. ON BOARD 24V 10A 100V	[2]
00	9098259000	1	CHARGER BATT. ON BOARD 24V 10A 100V KIT	[3]
00	9100000790	1	CABLE EXTENSION EU PLUG L.1000 PKD	[4]
1	909 6739 000	1	Einbauladegerät 24V-13A 100-230V	[5]

## Part Notes:

- [1] - US
- [2] - JAPAN
- [3] - JAPAN -OPTIONAL- INST.INSTR. 9098262000
- [4] - EU
- [5] - EU - OPTIONAL - see INST.INSTR. 909 6746 000

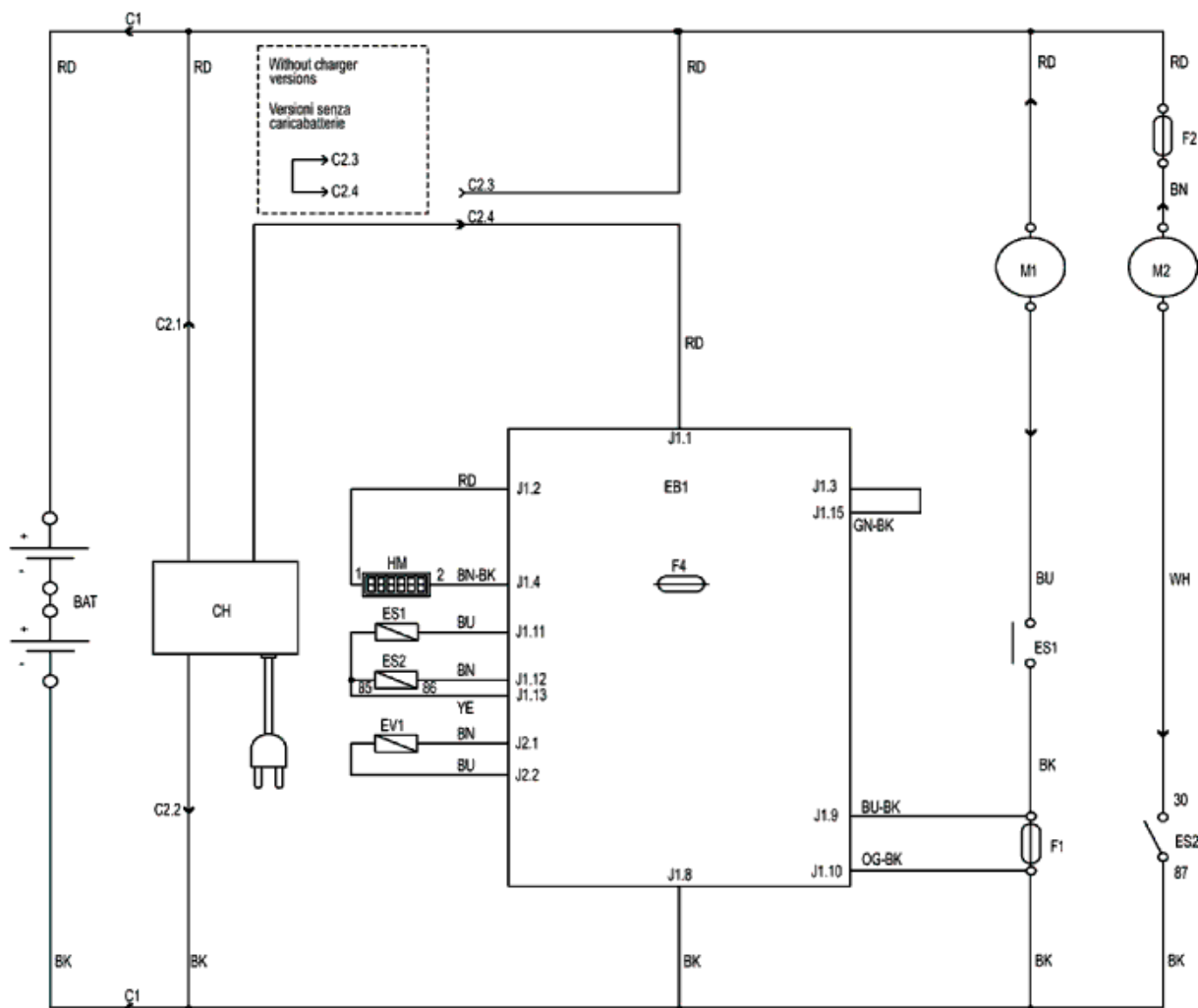


Pos.	Artikel-Nr.	Menge	Variante	Notes
00	909 6187 000	1	HARNESS PUMP	[1]
00	909 6902 000	1	Aufkleber	[1]
00	9097773000	1	Aufkleberkit BA551/611	[1]
00	9098264000	1	BefestigungsKit	[1]
1	909 6744 000	1	Ecoflex-Set	[2]
2	909 6807 000	1	Chemischschlauchkit BA	
3	9098777000	1	Schlauchwinkel 10/90	
7	9097166000	1	Filter komplett Kit	
9	56315108	1	Wasserpumpe 24 V EDS	
10	909 6903 000	1	EDS-Behälter	
11	9100001817	1	CAP PLASTIC F CHEMICAL TANK SIP	
12	56315522	1	Rückschlagventil EDS	
13	56315523	1	Deckel EDS-Schwimmer	
14	56315527	1	Buchseneinsatz EDSzu BA 551	
15	L08603893	1	Frischwasserfilter mitDichtung zu BA 430	
16	909 6592 000	1	DECAL DETERGENT ADJUST.	
20	9100001819	1	PUMP CHEMICAL MIX KIT	
22	909 6092 000	1	T- Stück	
23	909 6535 000	1	SUPPORT ALU F DETERGENT SOLUTION TANK	

## Part Notes:

- [1] - NOT SHOWN  
 [2] - SEE INST. INSTR. 909 6747 000



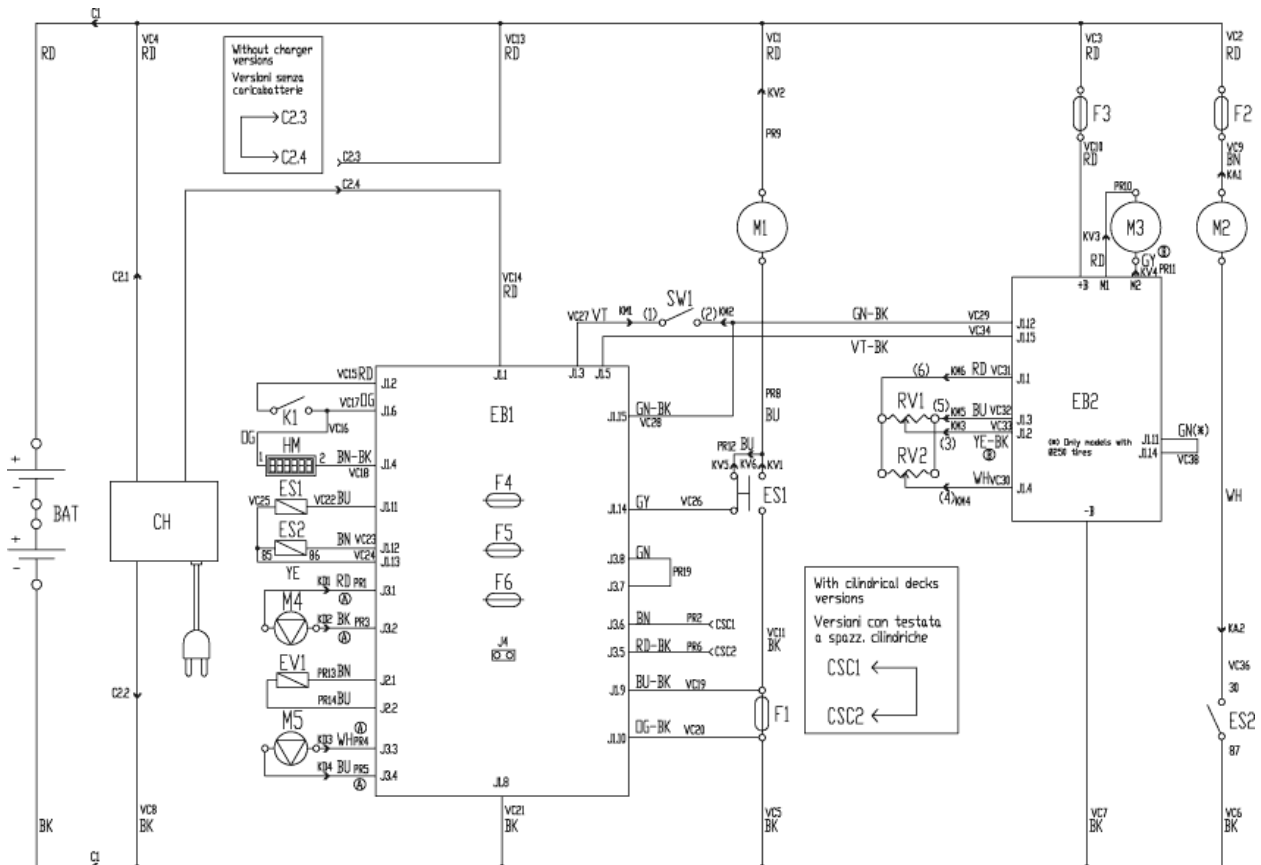


WIRING DIAGRAM  
BA 551  
Rev. A  
909 6530 000

COMPONENTS / COMPONENTI		
BAT	24V BATTERIES	BATTERIE 24V
C1	BATTERY CONNECTOR	CONNETTORE BATTERIE
C2	CHARGER CONNECTOR	CONNETTORE CARICABATTERIE
CH	BATTERY CHARGER (OPT)	CARICABATTERIE (OPT)
CS	BRUSH DECK CONNECTOR	CONNETTORE TESTATA SPAZZOLE
EB1	CONTRL PANEL BOARD	SCHEDA ELETTRONICA CONTROLLO FUNZIONI
ES1	BRUSH MOTOR ELECTROM. SWITCH	TELERIUTTORE MOTORI SPAZZOLE
ES2	VACUUM MOTOR ELECTROM. SWITCH	RELE ASPIRATORE
EV1	WATER ELECTROVALVE	ELETTROVALVOLAACQUA
F1	BRUSH DECK FUSE	FUSIBILE TESTATA SPAZZOLE
F2	VACUUM MOTOR FUSE	FUSIBILE ASPIRATORE
F4	LOW POWER CIRCUIT FUSE	FUSIBILE CIRCUITI DI SEGNALE
HM	HOURMETER (OPT)	CONTAORE (OPT)
M1	BRUSH MOTOR	MOTORE SPAZZOLA
M2	VACUUM MOTOR	MOTORE ASPIRATORE

---

Pos.	Artikel-Nr.	Menge	Variante	Notes
------	-------------	-------	----------	-------



WIRING DIAGRAM - BA 551D / BA 551CD / BA 611D

Rev. C

909 6529 000

COMPONENTS / COMPONENTI					
BAT	24V BATTERIES	BATTERIE 24V	K1	KEY SWITCH	CHIAVE
C1	BATTERY CONNECTOR	CONNETTORE BATTERIE	M1	BRUSH MOTOR	MOTORE SPAZZOLA
C2	CHARGER CONNECTOR	CONNETTORE CARICABATTERIE	M2	VACUUM MOTOR	MOTORE ASPIRATORE
CH	BATTERY CHARGER (OPT)	CARICABATTERIE (OPT)	M3	DRIVE MOTOR	MOTORE TRAZIONE
CSC	CILINDRICAL DECK SECONDARY CONNECTOR	CONN. SECONDARIO TESTATA SPAZZ. CILINDRICHE	M4	WATER PUMP (OPT)	POMPA ACQUA (OPT)
EB1	CONTROL PANEL BOARD	SCHEDA ELETTRONICA CONTROLLO FUNZIONI	M5	DETERGENT PUMP (OPT)	POMPA DETERGENTE (OPT)
EB2	DRIVE ELECTRONIC BOARD	SCHEDA ELETTRONICA TRAZIONE	RV1	SPEED POTENTIOMETER	POTENZIOMETRO VELOCITA'
ES1	BRUSH MOTOR ELECTROM. SWITCH	TELERUTTORE MOTORI SPAZZOLE	RV2	MAX SPEED POTENTIOMETER	POTENZIOMETRO VELOCITA' MASSIMA
ES2	VACUUM MOTOR ELECTROM. SWITCH	RELE' ASPIRATORE	SW1	BRUSHES / DRIVE MICROSWITCH	MICROINTERR. CONSENSO SPAZZOLE/TRAZIONE
EV1	ELECTROVALVE	ELETTROVALVOLA			
F1	BRUSH DECK FUSE	FUSIBILE TESTATA SPAZZOLE			
F2	VACUUM MOTOR FUSE	FUSIBILE ASPIRATORE			
F3	DRIVE SYSTEM FUSE	FUSIBILE SISTEMA DI TRAZIONE			
F4	LOW POWER CIRCUIT FUSE	FUSIBILE CIRCUITI DI SEGNALE			
F5	BRUSH RELEASE FUSE	FUSIBILE SGANCIO SPAZZOLE			
F6	PUMP FUSE	FUSIBILE POMPE			
HM	HOURLMETER (OPT)	CONTAORE (OPT)			

---

Pos.	Artikel-Nr.	Menge	Variante	Notes
------	-------------	-------	----------	-------



Pos.	Artikel-Nr.	Menge	Variante	Notes
1	909 6671 000	1	Schwamm Frischwassertankzu BA 611	
2	909 6521 000	1	Frischwasserschlauch	
3	33023302	1	CAP BLACK SIP	
4	909 6554 000	1	Deckel mit Kette	
5	909 6874 000	1	CABLE TANK KIT	
6	9098265000	1	Befestigungskit	
7	9099853000	1	Schlauch für Absaugleiste	
8	9100001892	1	Ablassschlauch L.1480MM 90 BLACK PKD	
9	9100000818	1	CAGE FLOAT HALF 2 PCS SET	
10	9100000817	1	BALL FLOATING PKD	
12	9100001348	2	CLAMP 14/32-52 10 PCS SET	
13	1466138000	1	CAP BLACK PPL DE 42X11.5 PKD	
14	9099986000	1	Zwischenstück	
15	909 6877 000	1	Motor Befestigungskit	
16	909 6876 000	1	Befestigungskit	[1]
17	9099401000	1	Saugmotor	
18	909 5371 000	2	Kohlebürste	
19	909 6491 000	1	Panel, schalldämpfend	
20	909 6490 000	1	Dichtung	
21	909 6489 000	1	Dichtung	
22	909 6880 000	1	Lenkrolle-Set	
23	909 6880 000	1	Lenkrolle-Set	
24	909 6878 000	1	Satz Befestigungsteile	
25	9099691000	1	Radkit (only Wheels)	
26	909 6548 000	1	Motor 200 W 24V	
27	909 6503 000	2	Vorderrad D.250	
28	145 5124 000	2	Kohlenbürste BA 650S	
29	L08812282	2	Nockensteuerung /Microschzu BA 650/S	
30	9098300000	1	Fixierkit BA 451	
31	9100001062	1	POTENTIOMETER 5K 40 PKD	
32	9096994000	1	Wasserventil	
33	9097166000	1	Filter komplett Kit	
34	9096996000	1	Schlauchkit	
35	909 6555 000	1	Magnetventil 24 V	
36	9100000106	1	HOLDER RUBBER 1/2 FEMALE KIT	
37	9098777000	1	Schlauchwinkel 10/90	

## Part Notes:

- [1] - due to ODM/ECN 2810 should have been considered valid for all  
Machine configurations which were using it ONLY Before Serial Number 081813772 (Beginning of May 2008).  
GUARANTEE DATE EXPIRED

Resource notes:

POSITIONS 7-9: 909 6483 000 - 909 6484 000 included in the kit 909 6860 000  
POSITIONS 8-10: L08603832 - L08603830 included in the kit 9097499000

Pos.	Artikel-Nr.	Menge	Variante	Notes
01	909 6055 000	1	Halteband f. Gummilippe	
02	L08603831	1	Leiste vorne SaugfussBA 650S	
03	909 6044 000	1	Saugbalken	
04	9100000962	1	SQUEEGEE 830MM 33 METAL SIP	
05	9097637000	1	BefestigungsKit BA 551	
06	9100000791	1	KNOB M8X30 THD STUD SS PKD	
11	909 6851 000	1	Saugfuß Kit komplett	
12	909 5372 000	1	Saugfuss kompl. BA 610	
13	909 6882 000	1	BefestigungsKit	
14	909 6894 000	1	BefestigungsKit Abzieher-	
15	909 6883 000	1	Stützrad zu BA 451	
16	9100000573	1	WHEEL SQUEEGEE KIT	
17	909 6884 000	1	AbweisrollenKit BA 451	
18	L08603880	1	Abweissrollen-Kit A 430S	
19	909 6394 000	1	Verschluss BA 451	
20	909 6885 000	1	Gummilippenhalter Kit	
22	909 6042 000	1	Bürsten-Deck	
23	9098308000	1	Bürstenmotor 450 W 24V	
24	9098376000	1	CARBON BRUSHES KIT 4 PCS	
25	L08812306	1	Bürstenbüchse zu Getriebe	
26	L08601624	1	Schlauchnippel 1/4 x 10	
27	9100000868	1	VIBRATION DAMPING M8 60SH 2 PCS SET	
28	1467692000	2	PIN SPRING COTTER 3X56 GALV. 2 PCS SET	
29	909 6514 000	1	Gasdruckfeder	
30	9097093000	1	Polygonalhalter-Kit	
31	909 6887 000	1	AbweisrollenKit	
32	9099419000	1	BefestigungsKit f.	
33	145 4366 000	1	HOLDER RUBBER T D.12	
34	909 5772 000	1	HOSE COPPER	
35	9098489000	1	Seitengummi	
36	909 5805 000	1	Schmutzbehälter	
37	9096983000	2	Getriebemotor 300W/ 24V	[1]
38	1464432000	1	Kohle Kit 4 Stück	
39	909 5820 000	2	Riemen BA 551	
40	909 5870 000	1	Schlauch	
41	9098488000	1	ROLLERS BUMPERS KIT	
42	9098485000	1	BELT TENSIONER KIT	
43	9098486000	1	SUPPORT CYL.BRUSH KIT	
44	9098487000	1	SUPPORT PULLEY CYL.BRUSH	

## Part Notes:

[1] - CARBON BRUSH KIT 1464432000





Pos.	Artikel-Nr.	Menge	Variante	Notes
01	L08812306	1	Bürstenbüchse zu Getriebe	
02	1467692000	1	PIN SPRING COTTER 3X56 GALV. 2 PCS SET	
03	L08812306	1	Bürstenbüchse zu Getriebe	
04	9100000678	2	REDUCTION GEARMOTOR 350W 24V PKD	
05	L08812589	1	Polygonaufnahme kpl.	
06	9097092000	1	HOLDER POLYGONAL KIT	
07	909 5398 000	1	Spritzgummihalterungs-KitBA 600S / BA 65	
08	909 6891 000	1	Ypsilon-set BA 611	
09	909 5894 000	1	Abweisrollenkit BA 650750 / 600 S	
10	909 6893 000	2	Kohlenbürsteset	
11	909 6380 000	1	Schlauchklammer BR 601BR 751	
12	9100000174	1	CARD ELECTRONIC FUNCTIONS KIT	
13	9098635000	1	Aufkleber Control Panel	
14	9100001354	1	SWITCH KEY WITH CAP PKD	
15	9100000175	1	CARD ELECTRONIC FUNCTIONS KIT	
16	909 6057 000	1	Bedienungsfolie	
17	9100000878	1	FUSE BLADE 3A PKD	
18	909 6678 000	1	Glassicherung 20A	[1]
19	9100000173	1	Fahrelektronik Kit	
20	9100000792	1	MICROSWITCH 16A 250V PKD	
21	9100002117	2	CONNECTOR RED 120A PKD	
22	9097209000	1	SWITCH ELECTROMAGNETIC 24V	
23	909 6622 000	1	Relais 24 V 40 A	
24	145 3824 000	1	Sicherung 40 A	
25	145 8513 000	1	FUSE BLADE 30A UL	
26	9098297000	1	Einbauladegerät 24V-13A 100-230V EU	
27	909 6744 000	1	Ecoflex-Set	
28	909 6807 000	1	Chemischschlauchkit BA	
29	9098777000	1	Schlauchwinkel 10/90	
30	56315108	1	Wasserpumpe 24 V EDS	
31	909 6903 000	1	EDS-Behälter	
32	9100001817	1	CAP PLASTIC F CHEMICAL TANK SIP	
33	56315522	1	Rückschlagventil EDS	
34	56315523	1	Deckel EDS-Schwimmer	
35	56315527	1	Buchseneinsatz EDSzu BA 551	
36	9097166000	1	Filter komplett Kit	
37	9100001819	1	PUMP CHEMICAL MIX KIT	
38	909 6092 000	1	T- Stück	

## Part Notes:

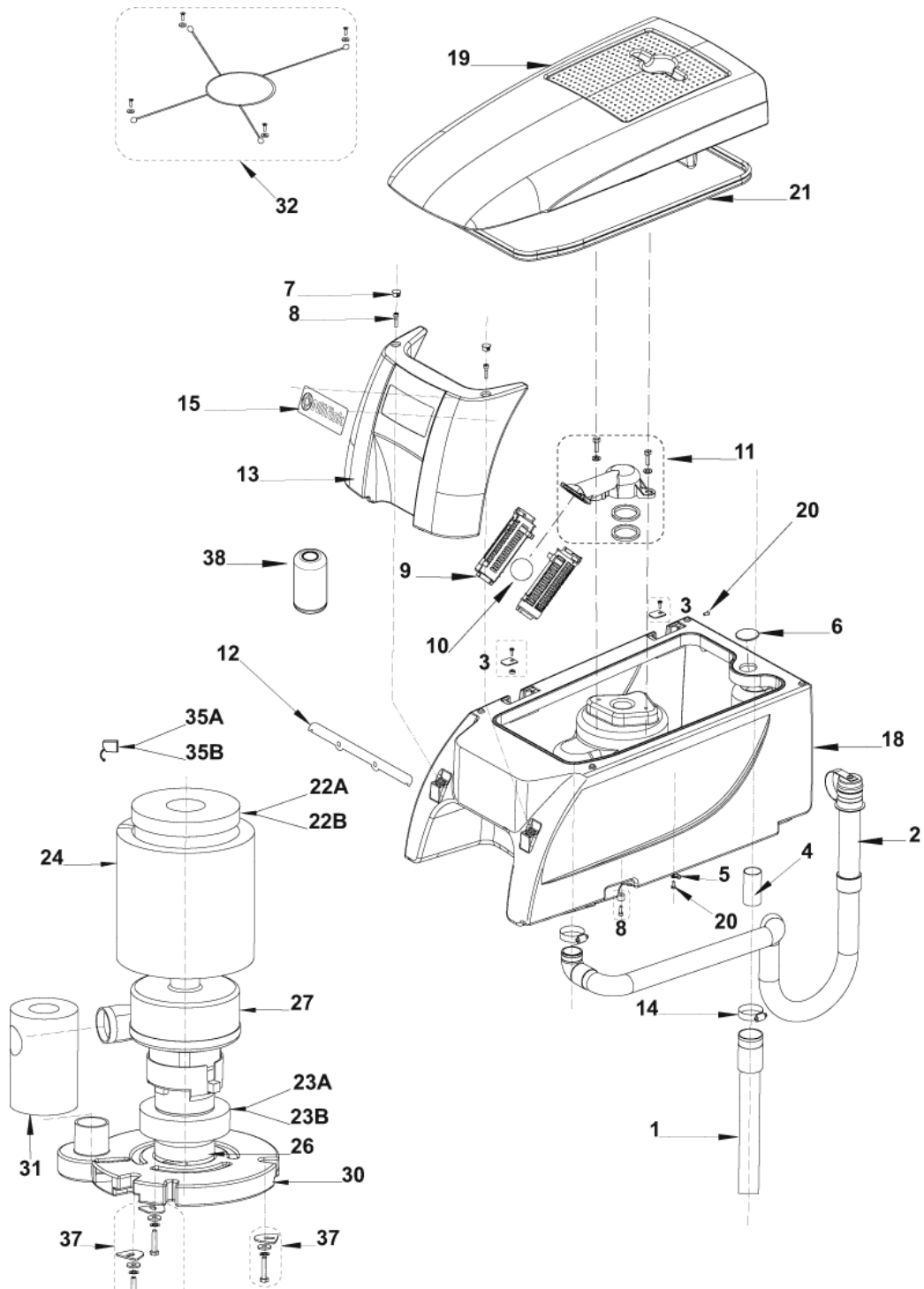
[1] - STOCK COVERS GUARANTEE



Pos.	Artikel-Nr.	Menge	Variante	Notes
1	9097290000	1	Frischwasserfüllschlauch	
2	9100001353	1	FILTER SOLUTION TANK PKD	
3	9096951000	1	Betriebsstundenzähler 24V	
4	909 6734 000	1	Haltenetz	
5	9098947000	1	Lenkrollen-Set	[1]
6	9097026000	2	Antriebsrad	[2]
7	909 6736 000	1	Spritzschutz BA 531-551	
8	909 6848 000	1	Bürstendeck-Set 530 mm, 21"	
9	L08837025	1	Bürste PPN mittel, 530 mm	
10	L08837026	1	Bürste PPN weich, 530 mm	
11	L08837027	1	Bürste Union Mix, 530 mm	
12	L08837028	1	Bürste Mid Grit 180, 530 mm	
13	L08837029	1	Bürste Sica Mid Grit 240, 530mm	
14	L08837065	1	Bürste Magna Grit 46, 530 mm	
15	L08837066	1	Bürste Dyna Grit 80, 530 mm	
16	L08837067	1	Schleifkornbürste 21" AGLiteGrit 500	
17	L08837018	1	Padhalter m. Padverschluß, 530 mm	
18	909 6849 000	1	Bürstendeck-Set zyl., 510 mm, 20"	
19	909 5823 000	2	Walzenbürste PP 0,4	
20	909 5824 000	2	Walzenbürste PP 0,45	
21	909 5825 000	2	Walzenbürste abrasiv, PP 0,6	
22	909 6850 000	1	Bürstendeck-Set 610 mm, 24"	
23	L08603842	2	Bürste Prolene, mittel, 305 mm, 12 "	
24	L08603873	2	Bürste Mid Grit 240, 305 mm, 12"	
25	L08603872	2	Bürste Mid Grit 180, 305 mm, 12"	
26	L08603874	2	Bürste Prolite, 305 mm, 12 "	
27	L08603875	2	Bürste Union Mix, 305 mm, 12"	
28	9099670000	2	Padhalter Ø 305 mm, 12"	
29	L08603878	1	Saugfuss kompl. BA 430 S	
30	9100000279	1	Sauglippen-Set, 740 mm, 29"	
31	909 6858 000	1	Sauglippenset PU, 740 mm	
33	909 6859 000	1	Sauglippenset PU	
34	909 5629 000	1	Sauglippe vorne	
35	909 6744 000	1	Ecoflex-Set	
36	909 6738 000	1	Gasdruckfeder-Set	
37	909 6739 000	1	Einbauladegerät 24V-13A 100-230V	
38	9098853000	1	Winkel 90 Grad	[3]

## Part Notes:

- [1] - OPTION - WIDER WHELL FOR SPECIAL APPLICATIONS  
 [2] - ITEM NO LONGER AVAILABLE  
 [3] - TSB IT 2010-061. Squeegee hose elbow



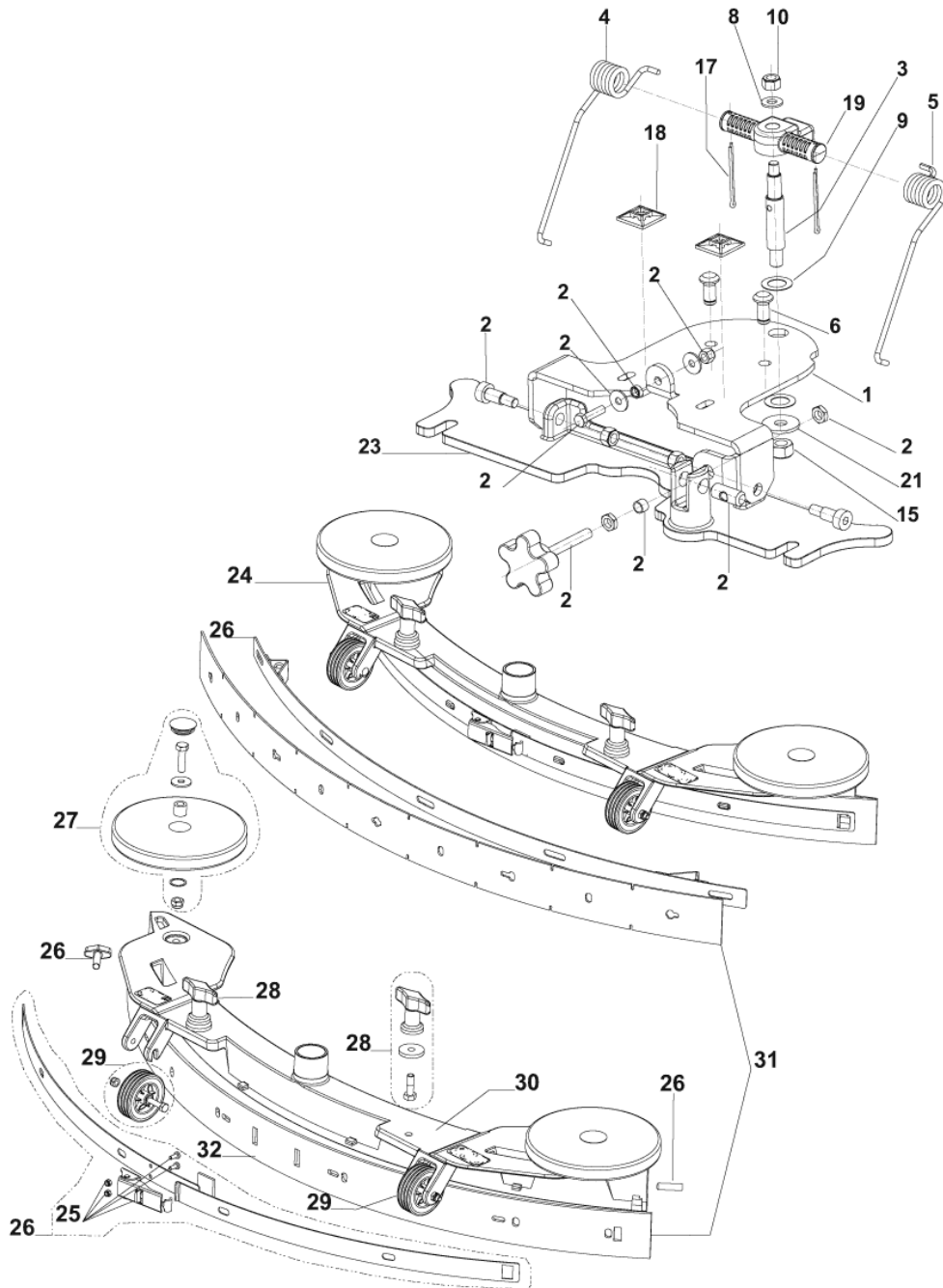
Resource notes:

AFOR MOTOR 9099401000 (AMETEK) BFOR MOTOR 9098062000 (VIPER)

Pos.	Artikel-Nr.	Menge	Variante	Notes
00	909 6876 000	1	Befestigungskit	[1]
1	9099853000	1	Schlauch für Absaugleiste	
2	9100001892	1	Ablassschlauch L.1480MM 90 BLACK PKD	
3	9097654000	1	Tankdeckelkit	
4	9099986000	1	Zwischenstück	
5	L08239900	1	SCHELLE	
6	1466138000	1	CAP BLACK PPL DE 42X11.5 PKD	
7	145 8008 000	2	Blindzapfen 18.2mm zu SW 1001	
8	9098451000	1	Schraubensatz	
9	9100000818	1	CAGE FLOAT HALF 2 PCS SET	
10	9100000817	1	BALL FLOATING PKD	
11	9100001875	1	SUPPORT FLOAT KIT	[2]
12	9097044000	1	Tankdichtung	
13	909 6224 000	1	Schmutzwasserblende	
14	9100001348	1	CLAMP 14/32-52 10 PCS SET	
15	9097773000	1	Aufkleberkit BA551/611	
18	9100000773	1	Schmutzwassertank 55 L, grau	
19	909 6050 000	1	Abdeckung, Tank	
20	909 6337 000	2	Schraube M5 x 12	
21	146 0741 000	1	Dichtung für SchmutzbehälSR 1000 SP	
22A	909 6489 000	1	Dichtung	
22B	9098055000	1	Dichtung zu Motor	
23A	909 6490 000	1	Dichtung	
23B	9097555000	1	Dichtung	
24	909 6491 000	1	Panel, schalldämpfend	
26	909 6672 000	1	Filter	
27	9099401000	1	Saugmotor	
30	9100001246	1	COVER VACUUM MOTOR PKD	
31	909 6442 000	1	Geräuschdämmung f.	
32	909 6734 000	1	Haltenetz	[3]
35A	909 5371 000	2	Kohlebürste	
35B	ZD53501A	1	Kohlebürsten für Saugermo	
37	909 6877 000	1	Motor Befestigungskit	
38	909 5065 000	1	Filter antischäum	[4]

## Part Notes:

- [1] - due to ODM/ECN 2810 should have been considered valid for all  
Machine configurations which were using it ONLY Before Serial Number 081813772 (Beginning of May 2008).  
GUARANTEE DATE EXPIRED  
NOT SHOWN
- [2] - SEE INST.INSTR. 9100001876
- [3] - OPTIONAL
- [4] - OPTIONAL - SEE TSB IT 2008-002



Pos.	Artikel-Nr.	Menge	Variante	Notes
00	9097548000	1	Nylonscheibe BA 451	[1]
1	909 6494 000	1	Halterung f. Aufnahme	
2	909 6885 000	1	Gummilippenhalter Kit	
3	909 6497 000	1	Bolzen	
4	909 6537 000	1	Feder	
5	909 6538 000	1	Feder	
6	909 6543 000	2	Bolzen	
8	33023208	1	WASHER M8 UNI6592 10 PCS SET	
9	L08238300	2	SCHEIBE 25X3X15 POLYAMID	
10	33023574	1	NUT LOCK HEX M8 ISO10511 PCS 10 SET	
15	33005608	1	Mutter	
17	33005758	2	Splint	
18	909 6635 000	2	Halteplatte	
19	9100000515	1	SUPPORT SQUEEGEE SPRING PKD	
21	L08604251	1	Scheibe 10,5 vz	
23	909 6045 000	1	Saugfusshalter	
24	9097539000	1	Absaugleistenkit kpl. Alu	
25	909 6394 000	1	Verschluss BA 451	
26	9097634000	1	BefestigungsKit f.	
27	909 6887 000	2	Abweisrollenkit	
28	9097637000	1	BefestigungsKit BA 551	
29	909 6883 000	1	Stützrad zu BA 451	
30	9097198000	1	Saugbalken Alu	
31	9100000280	1	Sauglippen-Set, 840 mm, 33"	

## Part Notes:

[1] - NOT SHOWN - SEE TSB IT 2007-031



