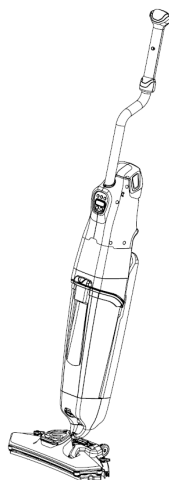


# PARTS LIST

MODEL

**DRYFT**



Models No.:

58002000, 58002001, 58002002, 58002003

Part list P/N: 58002112

**NILFISK**

2025.10.15

# NILFISK

# TABLE OF CONTENTS

---

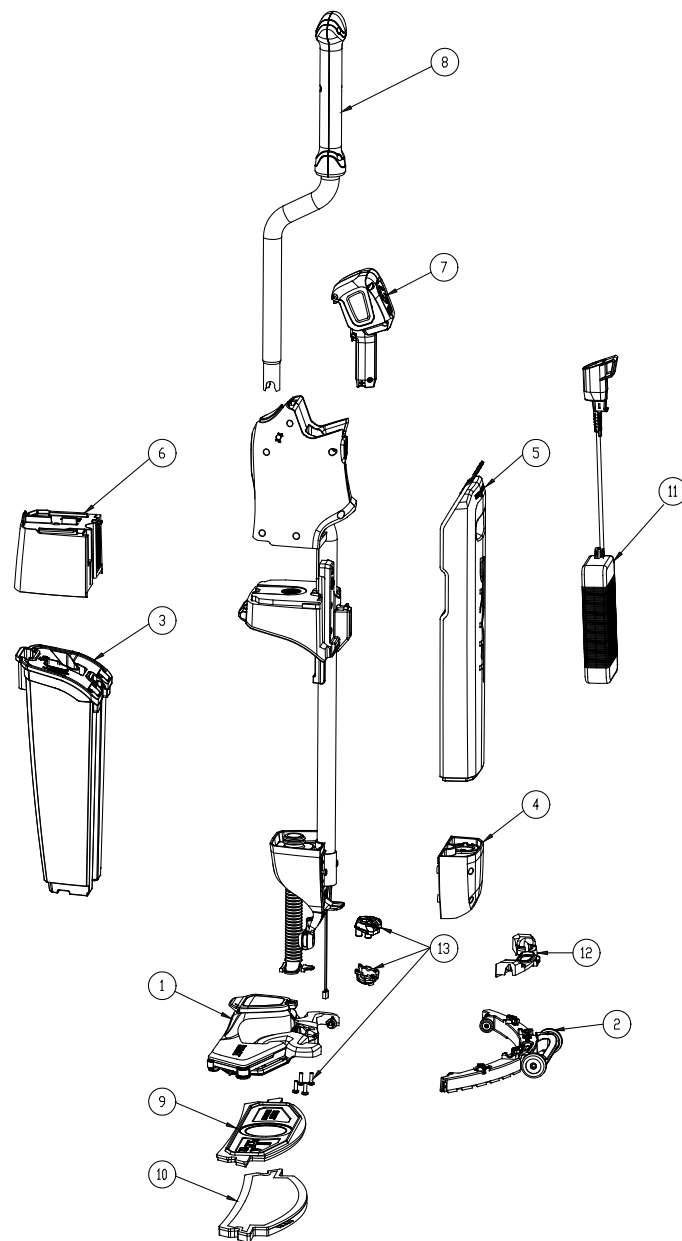
GENERAL VIEW .....	1
UPPER HANDLE ASSEMBLY .....	3
RECOVERY AND CLEAN WATER TANK ASSEMBLY .....	5
HEAD ASSEMBLY .....	7
VACCUM UNIT DRYFT ASSEMBLY .....	9
SQUEEGEE BAR ASSEMBLY .....	11
SOLENOID UNIT ASSEMBLY .....	13
RECOMMENDED SPARE PARTS .....	15

# GENERAL VIEW

Nilfisk Dryft V1

2025.06.09

2025.07.24



Pos.	Artikel-Nr.	Menge	Variante	Notes
1		1	HEAD ASSEMBLY	
2		1	BAR SQUEEGEE KIT	
3		1	TANK RECOVERY KIT	
4		1	SOLENOID UNIT KIT	
5		1	TANK SOLUTION KIT	
6		1	VACCUM UNIT KIT	
7	58002020	1	BATTERY LI ION 25.2V 5AH SIP	[1]
7	58002022	1	BATTERY LI ION 25.2V 5AH US SIP	[1]
8	-	1	SCRUBTEC 8/BOOST 8	
9	58002028	1	HOLDER PAD SIP	
10	58002029	1	PAD CLEANING SINGLE SIP	
11	58002030	1	CHARGER LI-ION 24V 5A UK KIT	
11	58002031	1	CHARGER LI ION 24V 5A EU KIT	
11	58002032	1	CHARGER LI-ION 24V 5A AUS KIT	
11	58002033	1	CHARGER LI ION 24V 5A US KIT	
12	58002075	1	CLAMP HOSE SIP	
13	58002057	1	SOCKET BALL KIT	

## Part Notes:

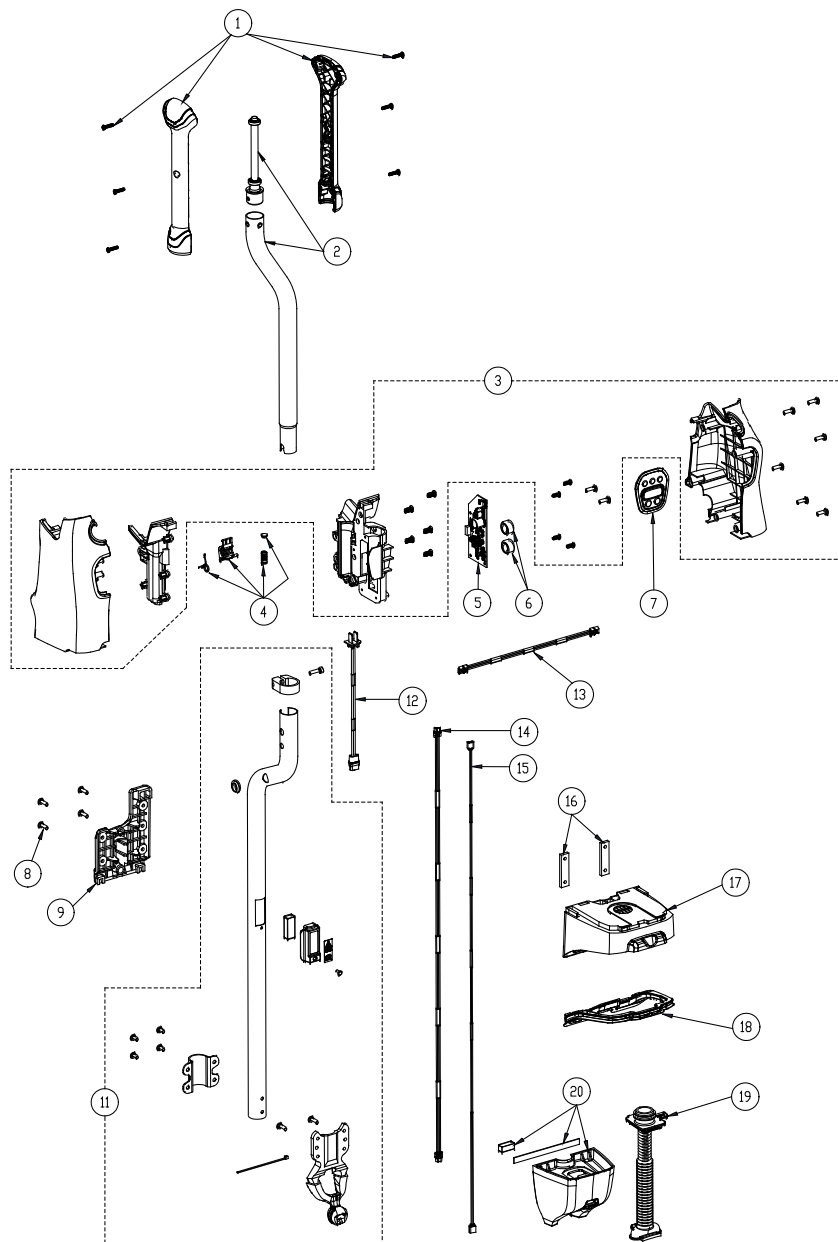
- [1] - If the installed battery presents no charging level it may be self-discharged. In such cases put on charge for 15 minutes. Then, press the battery level indicator button for 10 seconds. If the charging level indicator begins to flash, the battery has started. If it does not flash, the battery cannot be activated and used any longer.

# UPPER HANDLE ASSEMBLY

Nilfisk Dryft V1

2025.09.25

2025.09.25



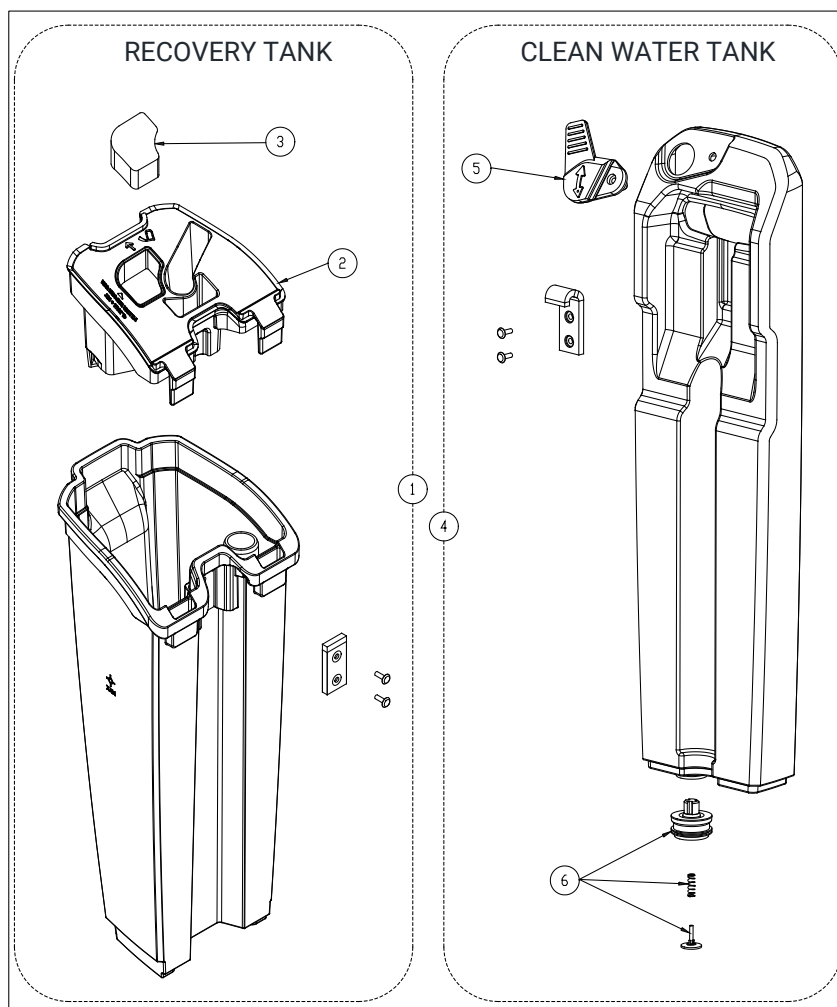
# UPPER HANDLE ASSEMBLY

Nilfisk Dryft V1

2025.09.25

2025.09.25

Pos.	Artikel-Nr.	Menge	Variante	Notes
1	58002040	1	HANDLE SPIN KIT	
2	58002081	1	SPYNE UPPER KIT	
3	58002035	1	HOUSING ELECTRONICS KIT	
4	58002036	1	RELEASE CATCH / SPRING EJECT. BATT. KIT	
5	58002078	1	PCB MAIN V1 SIP	
6	58002125	1	FERRITE DRYFT SET	
7	58002061	1	PANEL CONTROL SIP	
8	58002091	4	SCREW M5X16MM PAN T25 MACHINE SET	
9	58002090	1	BRACKET HOUSING TANK RECOVERY SIP	
11	58002082	1	HANDLE SPIN LOWER KIT	
12	58002063	1	CABLE HARNESS BATTERY SIP	
13	58002062	1	CABLE HARNESS VACUUM MOTOR SIP	
14	58002064	1	CABLE HARNESS MOTOR HEAD PART1 SIP	
15	58002065	1	CABLE HARNESS SOLENOID PART1 SIP	
16	58002088	2	PLATE FIXING HOUSING TANK RECOVERY SET	
17	58002089	1	HOUSING UPPER TANK RECOVERY SIP	
18	58002066	1	SEAL TANK RECOVERY SIP	
19	58002076	1	HOSE SUCTION SIP	
20	58002039	1	HOUSING SEAT TANK RECOVERY KIT	



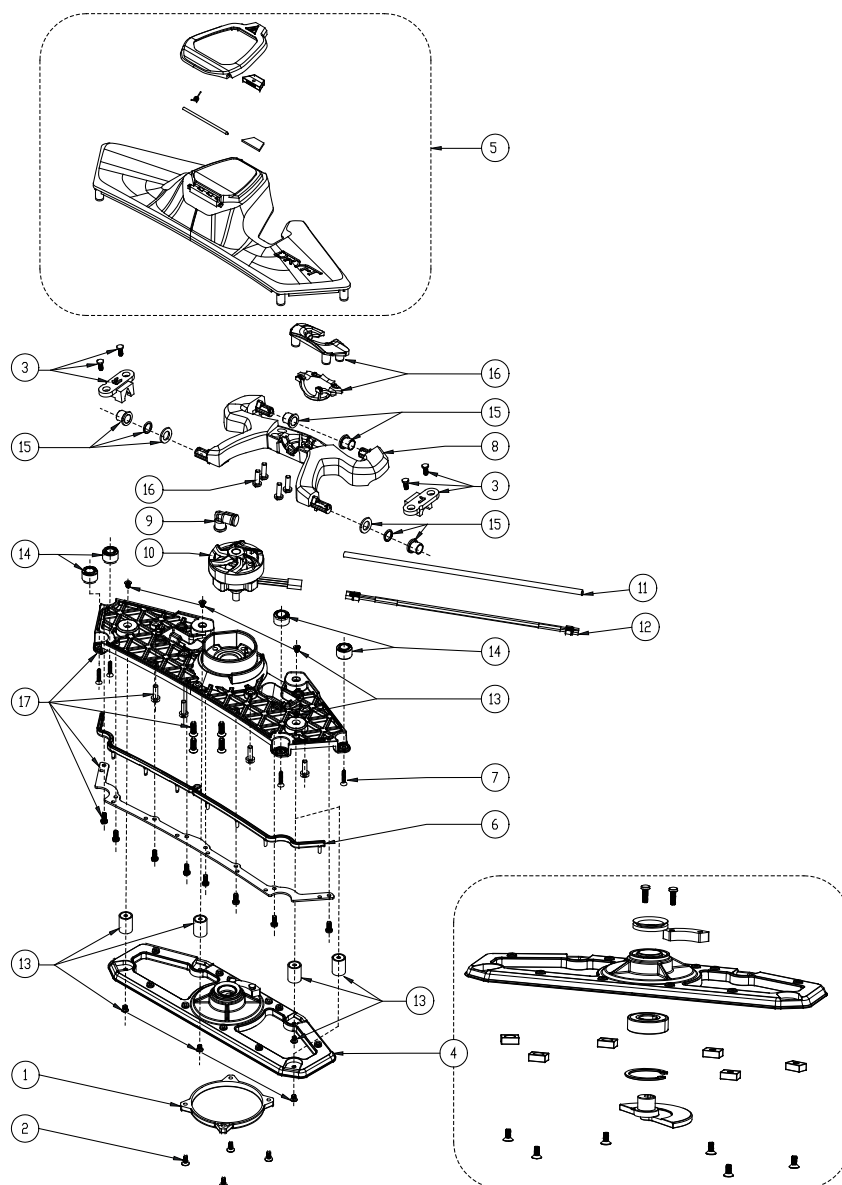
# RECOVERY AND CLEAN WATER TANK ASSEMBLY

Nilfisk Dryft V1

2025.06.09

2025.07.24

<b>Pos.</b>	<b>Artikel-Nr.</b>	<b>Menge</b>	<b>Variante</b>	<b>Notes</b>
1	58002024	1	TANK RECOVERY KIT	
2	58002044	1	LID TANK RECOVERY SIP	
3	58002045	1	FILTER INLET TANK RECOVERY SIP	
4	58002026	1	TANK SOLUTION KIT	
5	58002067	1	CAP FILL TANK SOLUTION SIP	
6	58002047	1	VALVE TANK SOLUTION KIT	



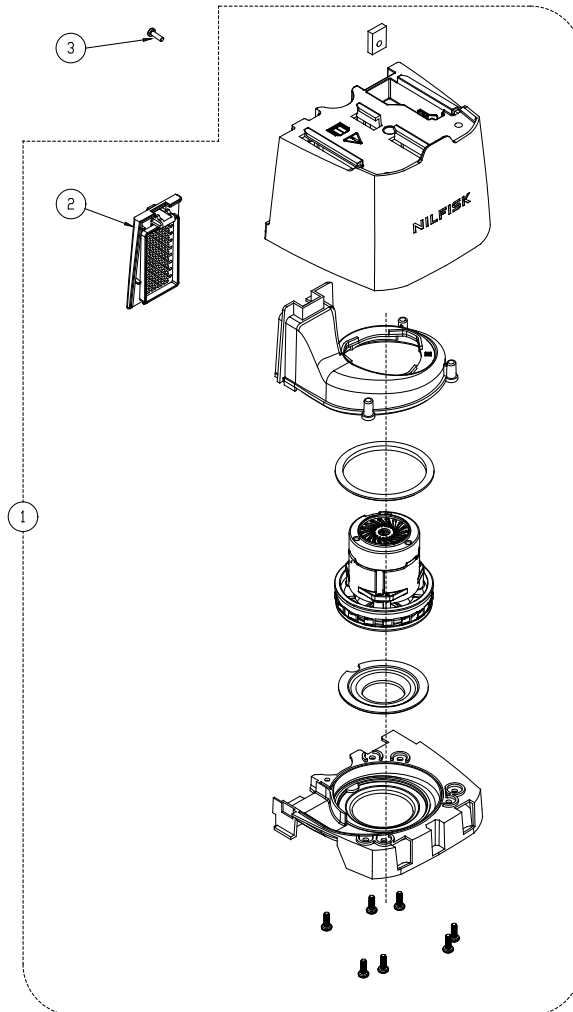
# HEAD ASSEMBLY

Nilfisk Dryft V1

2025.06.09

2025.07.24

Pos.	Artikel-Nr.	Menge	Variante	Notes
1	58002099	1	COVER COUNTERWEIGHT SIP	
2	58002100	4	SCREW M4X10MM CS TORX MACHINE SET	
3	58002051	1	CLAMP FRONT SPYDR BOTH SIDES KIT	
4	58002101	1	OSCILLATING ASSEMBLY KIT	
5	58002050	1	FRAME STAND WITH MAGNET KIT	
6	58002068	1	CHANNEL WATER RELEASE SIP	
7	58002097	4	SCREW M4X20MM CSK PZ2 PLASTIC SET	
8	58002069	1	CHASSIS SPYDR SIP	
9	58002102	1	FITTING ELBOW 90 PUSH 6MM SIP	
10	58002070	1	MOTOR HEAD DIGITAL 24V SIP	
11	58002071	1	HOSE WATER PVC 6MM SIP	
12	58002072	1	WIRING HARNESS MOT. HEAD PART2 SIP	
13	58002056	1	STABILISER OSCILLATING KIT	
14	58002098	4	WHEEL CORNER SET	
15	58002055	1	BUSH SPYDR KIT	
16	58002057	1	SOCKET BALL KIT	
17	58002053	1	CHASSIS MOTOR KIT	



# VACCUUM UNIT DRYFT ASSEMBLY

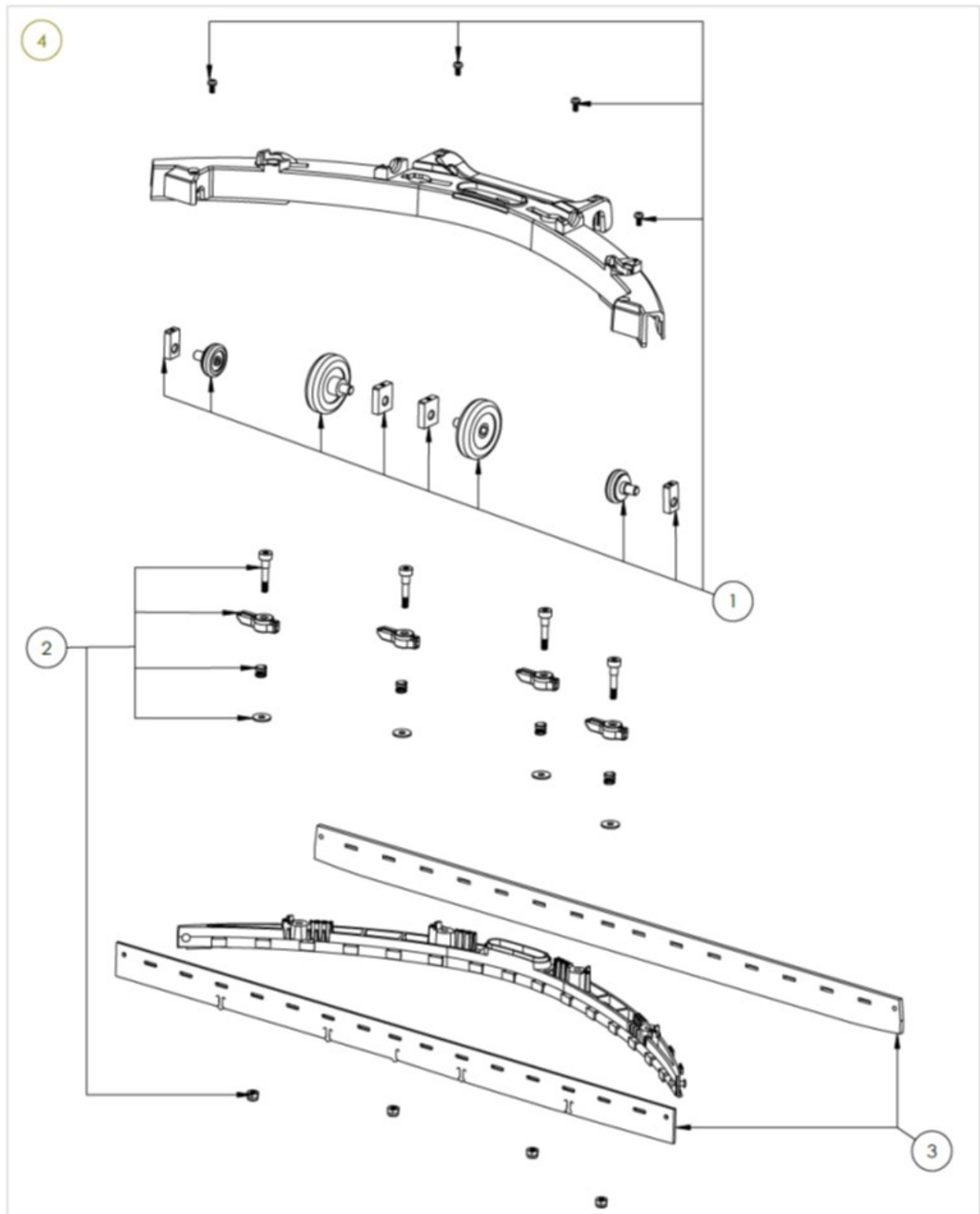
Nilfisk Dryft V1

2025.06.09

2025.06.09

---

<b>Pos.</b>	<b>Artikel-Nr.</b>	<b>Menge</b>	<b>Variante</b>	<b>Notes</b>
1	58002027	1	VACUUM UNIT KIT	
2	58002042	1	COVER FILTER EXHAUST SIP	
3		1	SCREW M5x16mm PAN PZ2	



# SQUEEGEE BAR ASSEMBLY

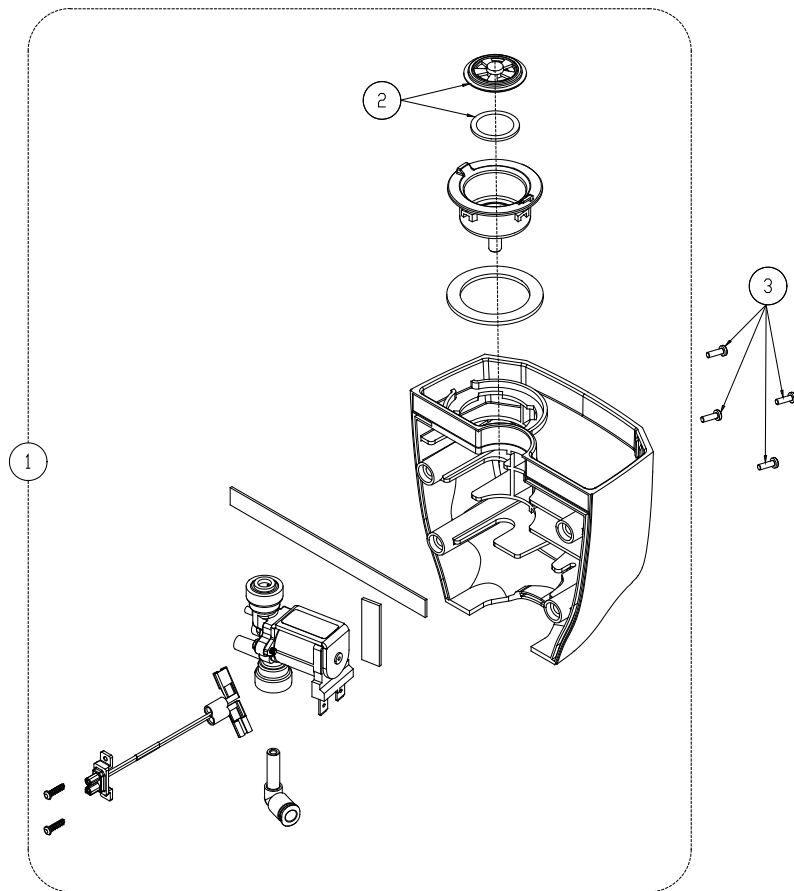
Nilfisk Dryft V1

2025.03.31

2025.06.09

---

<b>Pos.</b>	<b>Artikel-Nr.</b>	<b>Menge</b>	<b>Variante</b>	<b>Notes</b>
1	58002058	1	WHEEL SQUEEGEE KIT	
2	58002059	1	WINGNUT LOCKING SQUEEGEE KIT	
3	58002060	1	BLADES SQUEEGEE LINATEX KIT	
4	58002023	1	BAR SQUEEGEE KIT	



# SOLENOID UNIT ASSEMBLY

Nilfisk Dryft V1

2025.06.09

2025.06.09

---

<b>Pos.</b>	<b>Artikel-Nr.</b>	<b>Menge</b>	<b>Variante</b>	<b>Notes</b>
1	58002025	1	SOLENOID UNIT KIT	
2	58002049	1	FILTER BUCKET TANK SOLUTION KIT	
3	58002095	1	SCREW M5x16mm PAN TX20 PLASTIC SET	

RECOMMENDED SPARE PARTS

# RECOMMENDED SPARE PARTS

Nilfisk Dryft V1

2025.02.18

2025.07.24

Pos.	Artikel-Nr.	Menge	Variante	Notes
			NORMAL WEAR	
	58002060	1	BLADES SQUEEGEE LINATEX KIT	
	58002029	1	PAD CLEANING SINGLE SIP	
			ORDINARY MAINTENANCE	
	58002023	1	BAR SQUEEGEE KIT	
	58002028	1	HOLDER PAD SIPPAD HOLDER SIP	
	58002058	1	WHEEL SQUEEGEE KIT	
	58002057	1	SOCKET BALL KITSOCKET BALL SPYDR KIT	
	58002055	1	BUSH SPYDR KIT	
	58002098	1	WHEEL CORNER SET	
	58002056	1	STABILISER OSCILLATING KIT	
	58002042	1	COVER FILTER EXHAUST SIP	
	58002045	1	FILTER INLET TANK RECOVERY SIP	
	58002049	1	FILTER BUCKET TANK SOLUTION KIT	
	58002027	1	VACUUM UNIT KIT	
	58002025	1	SOLENOID UNIT KIT	
	58002076	1	HOSE SUCTION SIP	
			EXTRA ORDINARY MAINTENANCE	
	58002020	1	BATTERY LI ION 25.2V 5AH SIPBATTERY LI-ION 25.2V 5AH SIP	[1]
	58002022	1	BATTERY LI ION 25.2V 5AH US SIPBATTERY LI-ION 25.2V 5AH US SIP	[1]
	58002031	1	CHARGER LI ION 24V 5A EU KITCHARGER LI-ION 24V 5A EU KIT	
	58002033	1	CHARGER LI ION 24V 5A US KITCHARGER LI-ION 24V 5A US KIT	
	58002050	1	FRAME STAND WITH MAGNET KIT	
	58002068	1	CHANNEL WATER RELEASE SIP	
	58002067	1	CAP FILL TANK SOLUTION SIP	
	58002070	1	MOTOR HEAD DIGITAL 24V SIP	
	58002047	1	VALVE TANK SOLUTION KITVALVE TANK SOLUTION SIP	
	58002078	1	PCB MAIN V1 SIP	
	58002061	1	PANEL CONTROL SIP	
	58002024	1	TANK RECOVERY KIT	
	58002026	1	TANK SOLUTION KIT	

## Part Notes:

- [1] - If the installed battery presents no charging level it may be self-discharged. In such cases put on charge for 15 minutes. Then, press the battery level indicator button for 10 seconds. If the charging level indicator begins to flash, the battery has started. If it does not flash, the battery cannot be activated and used any longer.

