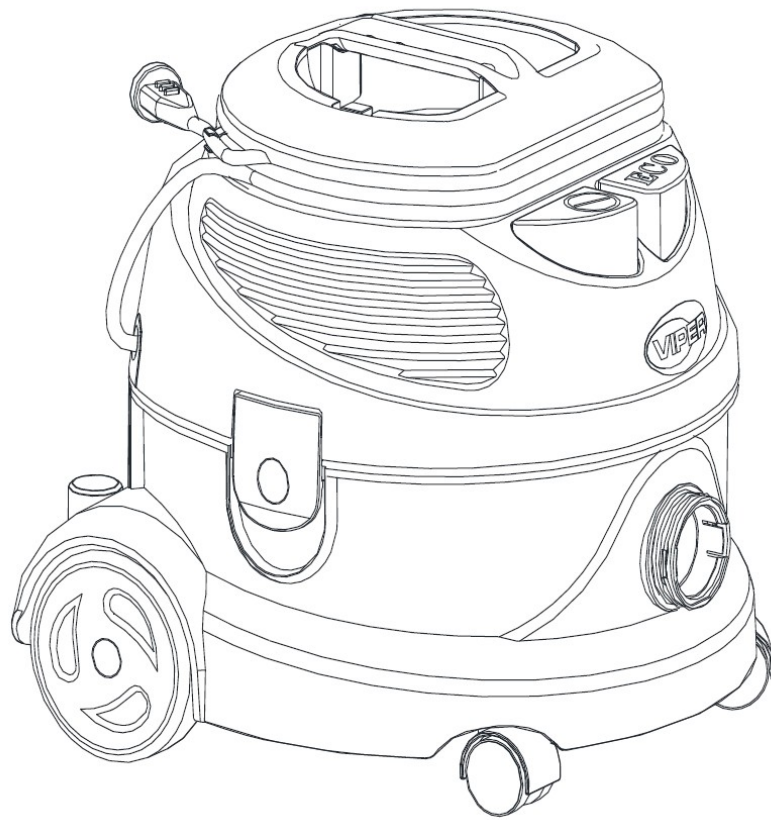


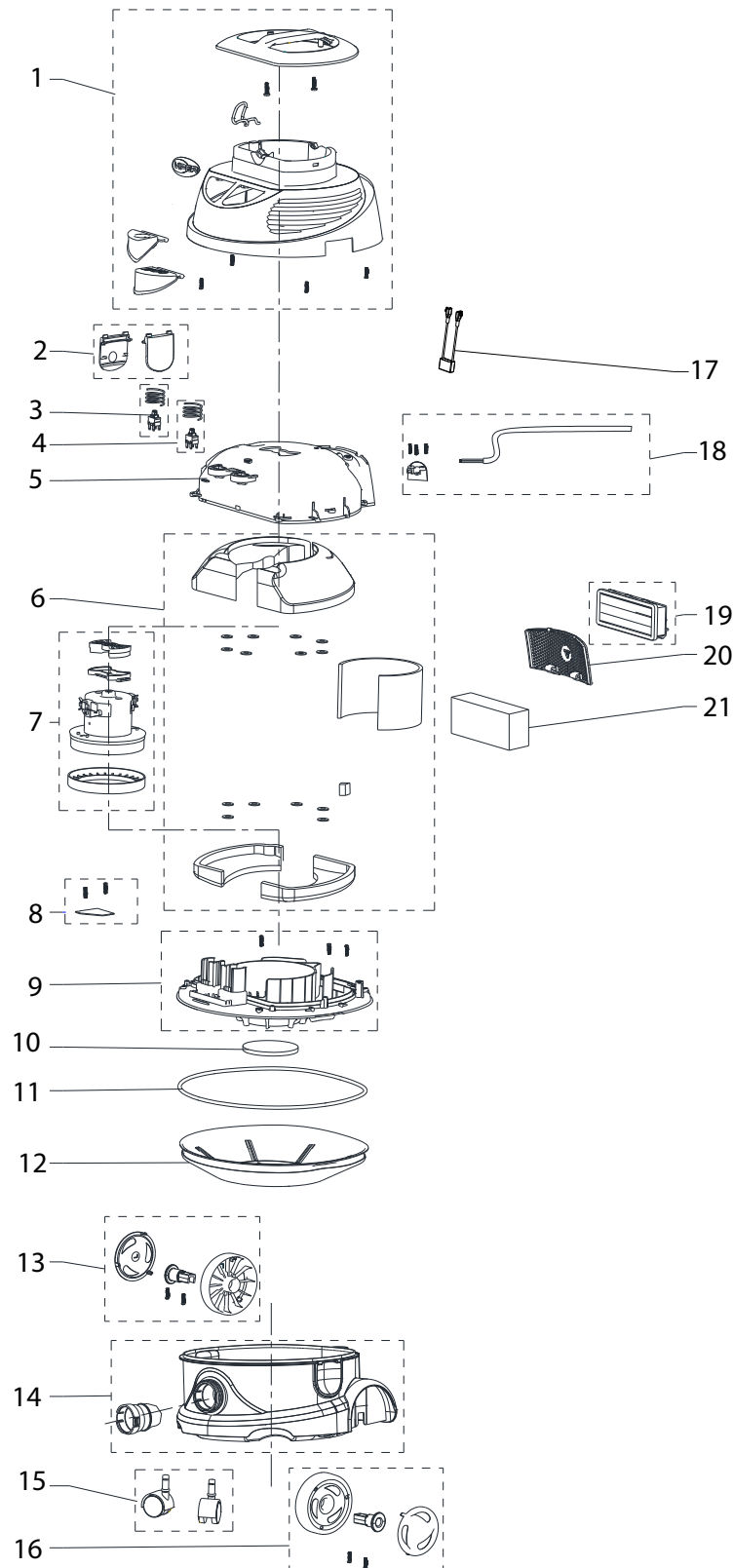
PARTS LIST



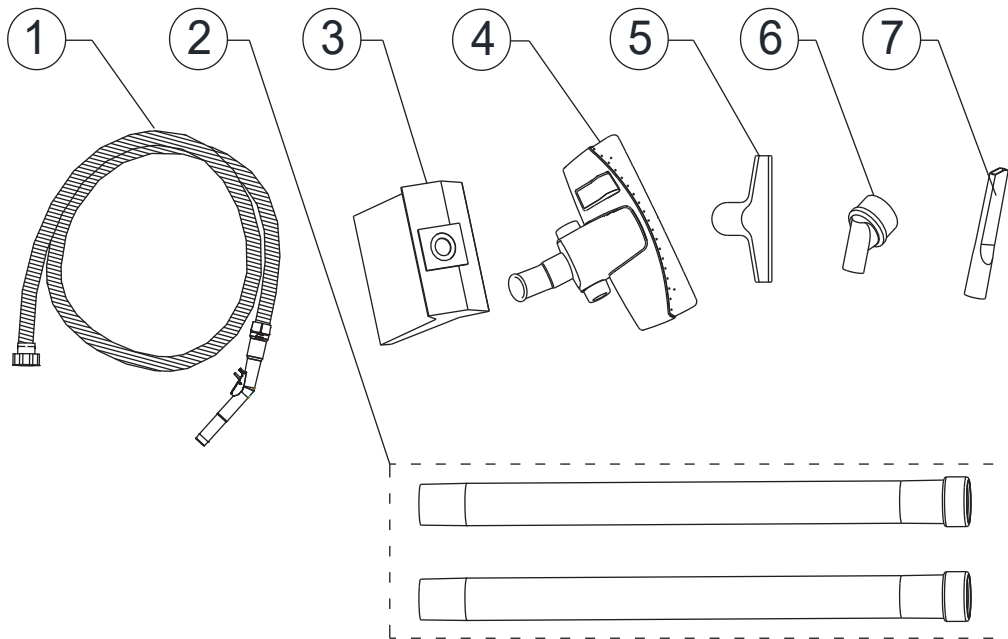
2020.11.20

TABLE OF CONTENTS

Overview1
Accessories3
WEAR AND TEAR PARTS5



| Pos. | Artikel-Nr. | Menge | Variante | Notes |
|------|-------------|-------|--|-------|
| 1 | VA81375 | 1 | DSU12/DSU15 MACHINE HEAD COVER KIT | |
| 2 | VA81360 | 1 | Verschlussklips für DSU-Sauger | |
| 3 | VA81361 | 1 | DSU12/DSU15 FOUR FEET SWITCH KIT | |
| 4 | VA81377 | 1 | DSU12/DSU15 TWO FEET SWITCH KIT | |
| 5 | VA85029 | 1 | DSU12 AND DSU15 MOTOR COVER KIT | |
| 6 | VA81378 | 1 | DSU12/DSU15 NOISE REDUCTION SPONGE KIT | |
| 7 | VA81379 | 1 | DSU12 AND DSU15 MOTOR ASSEMBLY KIT | |
| 8 | VA81374 | 1 | PCBA AND FIXING SCREW KIT | |
| 9 | VA81380 | 1 | DSU12/DSU15 MOTOR MOUNTING BASE KIT | |
| 10 | VA85064 | 1 | Motorschutzfilter | |
| 11 | VA81211 | 1 | DSU12 AND DSU15 GASKET KIT | |
| 12 | VA81231 | 1 | Hauptfilterkit DSU12/15 | |
| 13 | VA81368 | 1 | EAGLE2 RIGHT REAR BIG WHEEL KIT | |
| 14 | VA81381 | 1 | Anschlussstutzen DSU12 | |
| 14 | VA81382 | 1 | DSU15 TANK + INTAKE KIT | |
| 15 | VA81599 | 1 | 40MM CASTER | |
| 16 | VA81371 | 1 | EAGLE2 LEFT REAR BIG WHEEL KIT | |
| 17 | VA81194 | 1 | MOTOR CONNECTOR KIT | |
| 18 | VA81383 | 1 | Anschlusskabel DSU12/15 | |
| 18 | VA81384 | 1 | DSU12/DSU15 UK POWER CORD KIT | |
| 19 | VA85065 | 1 | HEPA-Filter | |
| 20 | VA85032 | 1 | DSU12 AND DSU15 EXHAUST COVER KIT | |
| 21 | VA81413-001 | 1 | FOAM EXHAUST FILTER | |



| Pos. | Artikel-Nr. | Menge | Variante | Notes |
|------|-------------|-------|--------------------------------------|-------|
| 1 | VA81232 | 1 | 2M SUNCTION HOSE ASSY | |
| 2 | VA81373 | 1 | E-COATING IRON SUCTION TUBE ASSEMBLY | |
| 3 | VA81399-P10 | 1 | 12L HEPA BAG PACK 10PCS | |
| 3 | VA81400-P10 | 1 | 15L HEPA BAG PACK 10PCS | |
| 3 | VA81410 | 1 | 12L WASHABLE BAG OPTIONAL | |
| 3 | VA81411 | 2 | 15L WASHABLE BAG OPTIONAL | |
| 4 | VA85059 | 1 | Kombidüse | |
| 5 | VA81227 | 1 | UPHOLSTERY TOOL | |
| 6 | VA81226 | 1 | DUSTING TOOL | |
| 7 | VA20805-001 | 1 | CREVICE TOOL | |

WEAR AND TEAR PARTS

DSU 15

2013.04.23

2018.06.06

| Pos. | Artikel-Nr. | Menge | Variante | Notes |
|-------------|--------------------|--------------|--------------------------------------|--------------|
| 1 | VA81232 | 1 | 2M SUNCTION HOSE ASSY | |
| 2 | VA81373 | 1 | E-COATING IRON SUCTION TUBE ASSEMBLY | |
| 3 | VA81399-P10 | 1 | 12L HEPA BAG PACK 10PCS | |
| 3 | VA81400-P10 | 1 | 15L HEPA BAG PACK 10PCS | |
| 3 | VA81410 | 1 | 12L WASHABLE BAG OPTIONAL | |
| 3 | VA81411 | 1 | 15L WASHABLE BAG OPTIONAL | |
| 4 | VA85059 | 1 | Kombidüse | |
| 5 | VA81227 | 1 | UPHOLSTERY TOOL | |
| 6 | VA81226 | 1 | DUSTING TOOL | |
| 7 | VA20805-001 | 1 | CREVICE TOOL | |
| 8 | VA81413-001 | 1 | FOAM EXHAUST FILTER | |
| 9 | VA85064 | 1 | Motorschutzfilter | |

