

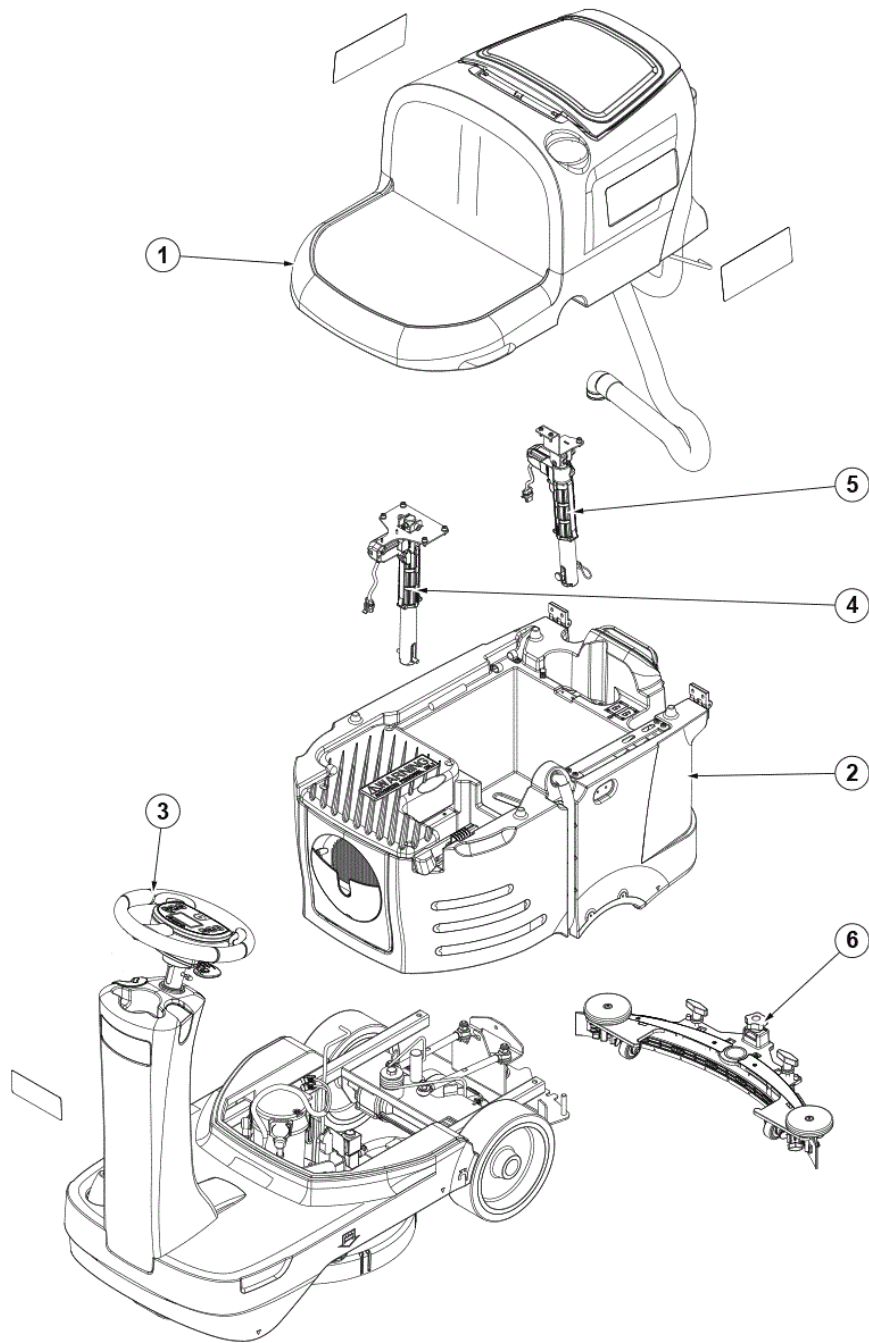
PARTS LIST



2019.03.22

TABLE OF CONTENTS

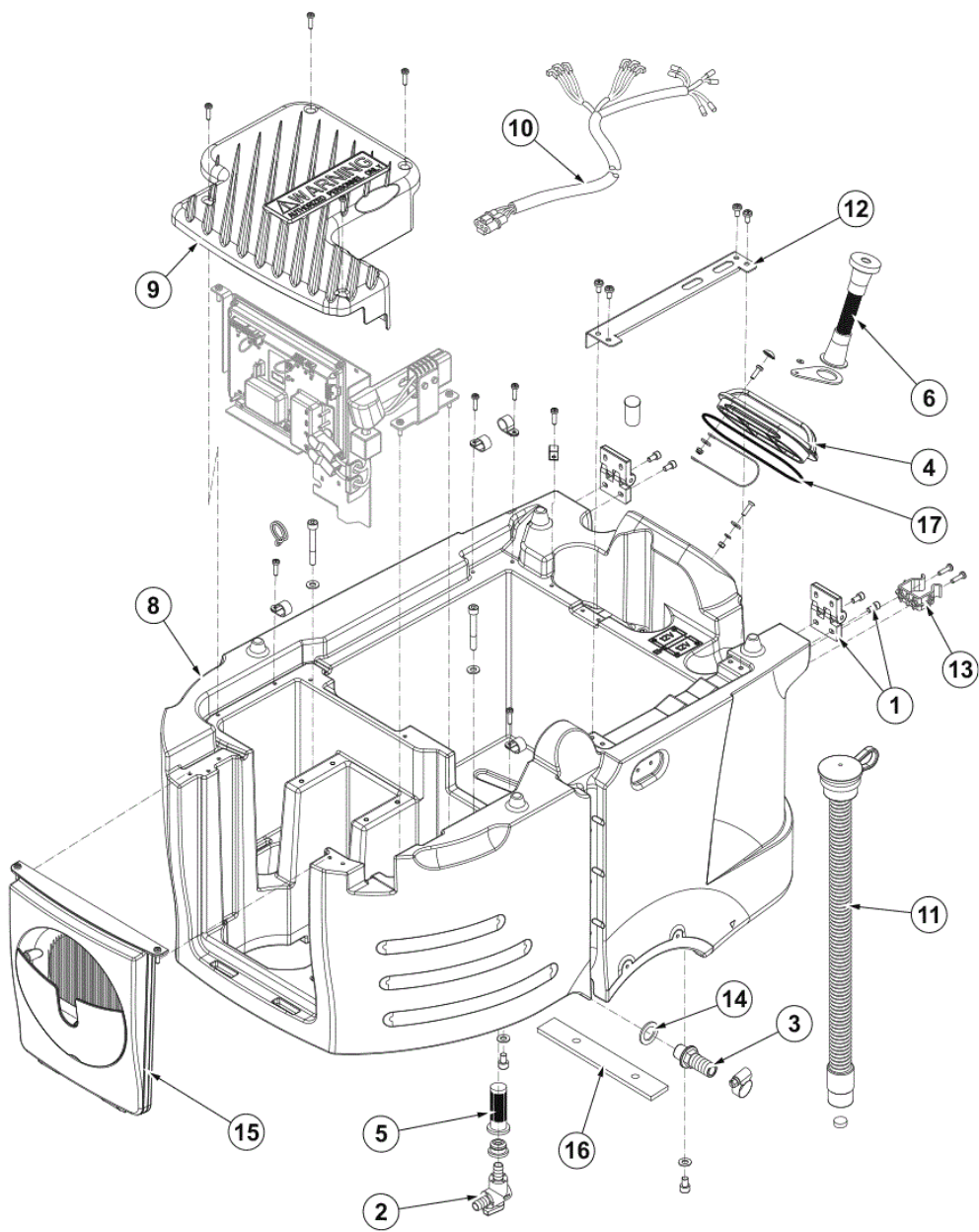
PL GENERAL VIEW	1
PL SOLUTION TANK	3
PL RECOVERY TANK	5
PL CHASSIS SYSTEM	7
PL FOOTBOARD, COLUMN AND KEY SYSTEM	9
PL MOTOR DRIVE	11
PL FRONT WHEEL SYSTEM	13
PL STEERING COLUMN SYSTEM	15
PL STEERING WHEEL SYSTEM	17
PL SOLUTION SYSTEM	19
PL ACTUATORS	21
PL SQUEEGEE SYSTEM	23
PL BRUSH DECK	25
PL ELECTRICAL SYSTEM	27
PL BATTERY CHARGER	29
ECOFLEX SYSTEM (Model No.: 9087410020, 9087411020)	31
PL ACCESSORIES 01	33
PL ACCESSORIES 02	35
PL ACCESSORIES 03	37
WIRING DIAGRAM (Model No.: 9087410020, 9087411020)	39
PL RECOMMENDED PARTS	41



Pos.	Artikel-Nr.	Menge	Variante	Notes
1		1	RECOVERY ASSEMBLY	[1]
2		1	SOLUTION NILFISK ASSEMBLY	[2]
3		1	BODY MACHINE NILFISK ASSEMBLY	[3]
4		1	ACTUATOR FRONT ASSEMBLY	[4]
5		1	ACTUATOR REAR ASSEMBLY	[4]
6		1	SQUEEGEE ASSEMBLY	[5]

Part Notes:

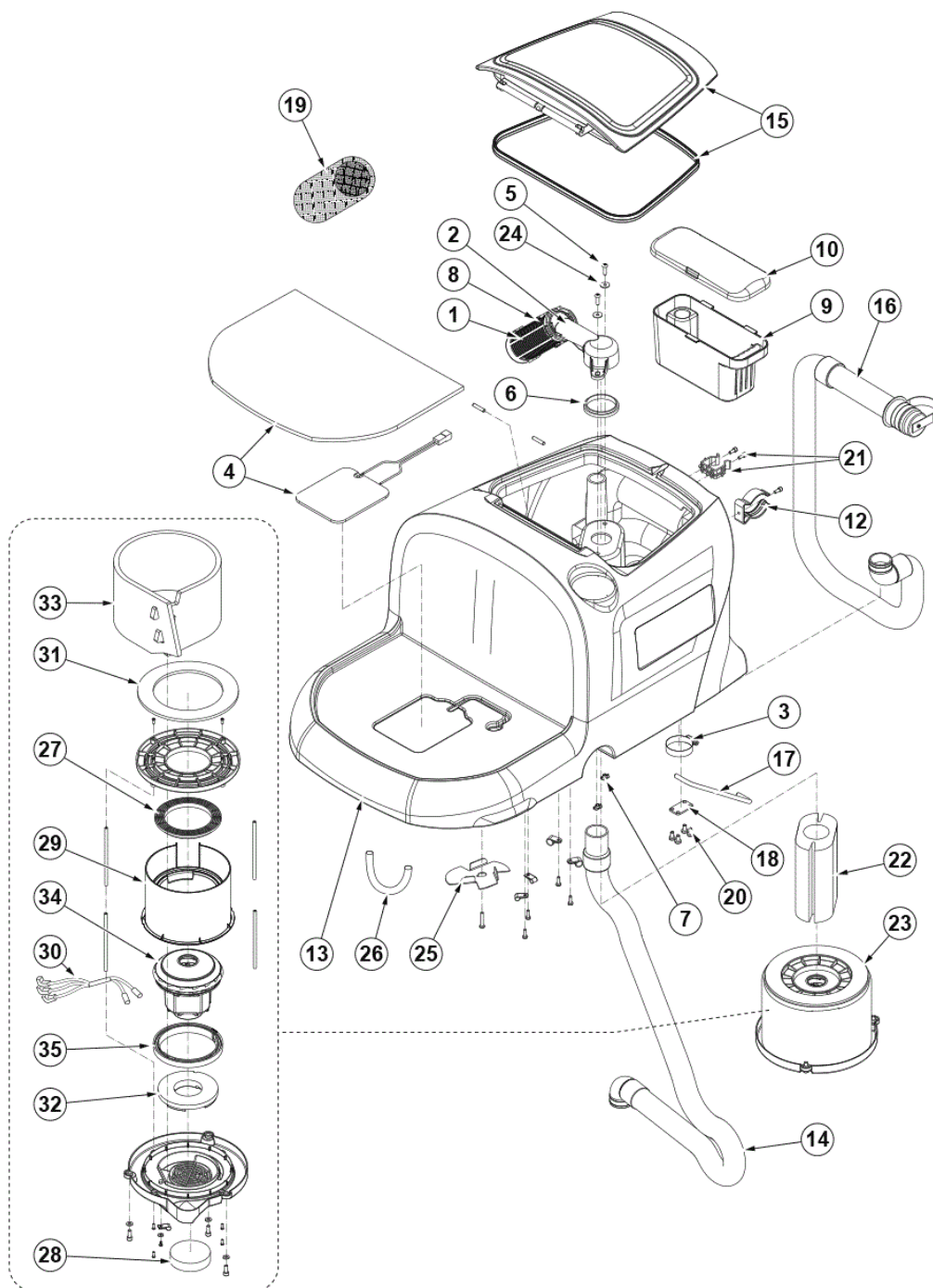
- [1] - PL RECOVERY TANK
- [2] - PL SOLUTION TANK
- [3] - PL CHASSIS
- [4] - PL ACTUATORS
- [5] - PL SQUEEGEE SYSTEM



Pos.	Artikel-Nr.	Menge	Variante	Notes
1	9098329000	1	Schanier Kit	
2	9100000803	1	VALVE ELBOW PKD	
3	9100000574	1	FITTING STRAIGHT G1/2 D.20 KIT	
4	1465355000	1	CAP SOLUTION TANK KIT	
5	9100001353	1	FILTER SOLUTION TANK PKD	[1]
6	9100000952	1	Befüllschlauch	
8	9100001753	1	TANK SOLUTION 70L PLAST. GREY KIT	[2]
8	9100001752	1	TANK SOLUTION 70L PLAST. GREY SIP	
9	9100001102	1	COVER BATTERY CHARGER SIP	
10	9100001120	1	HARNESSTANK SIP	
11	9100001578	1	HOSE FRESH WATER LEVEL KIT	[3]
12	9100001129	1	SUPPORT F SAFETY BAR SIP	
13	9100001164	1	CLAMP HOSE D.40 BLACK KIT	
14	9100001139	2	GASKET RUBBER D.21X33X2.5 BLACK SIP	
15	9100001182	1	COVER FUNCTIONS CARD KIT	
16	9100001150	1	PROTECTION RUBBER ADHESIVE F TANK SIP	
17	9100001370	1	O-RING F. HEPA/ULPA FILTER SIP	
18	9100002758	1	DECALS NILFISK SC2000 KIT	[4]

Part Notes:

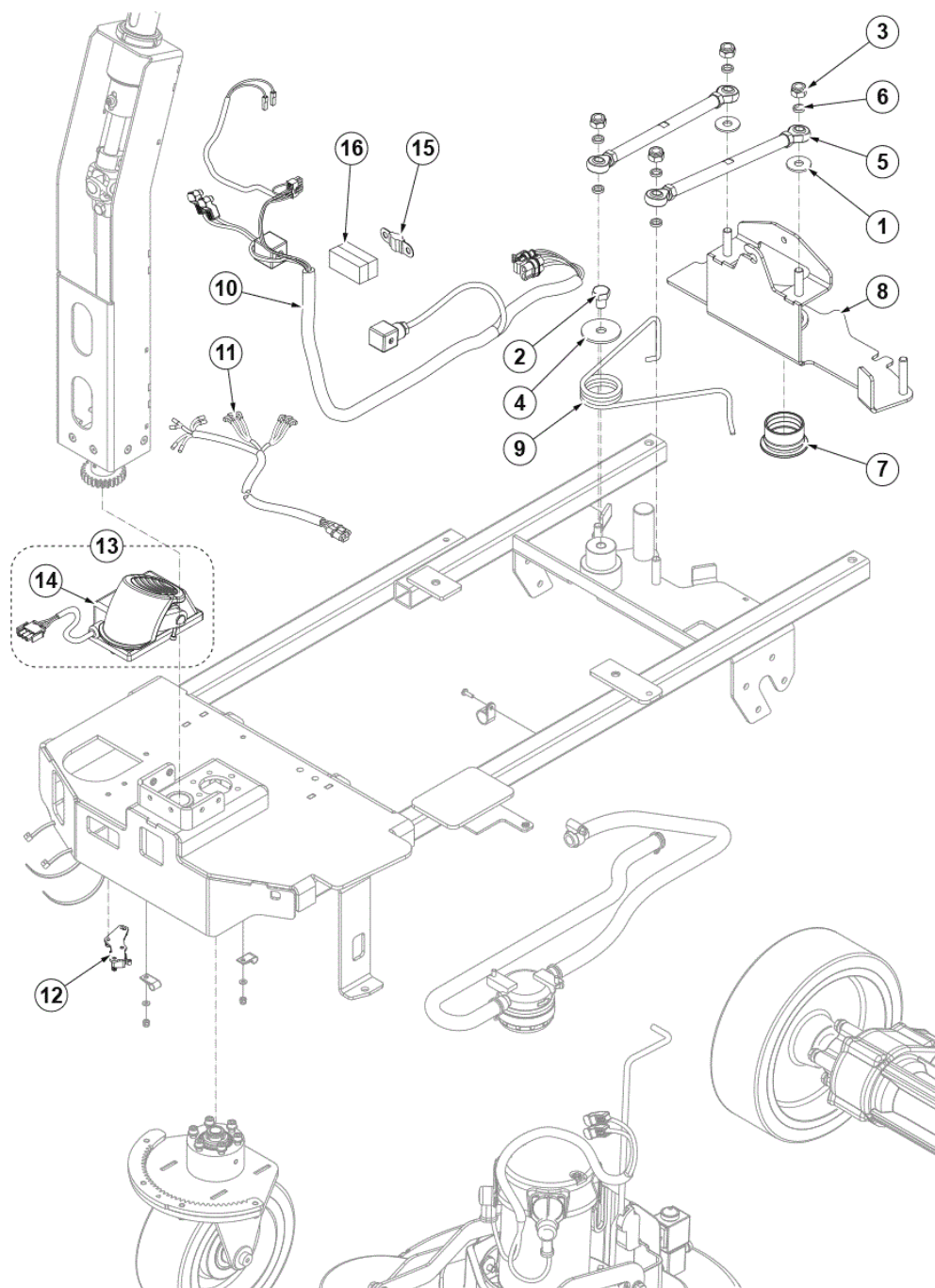
- [1] - OPTIONAL
- [2] - Before S/N 3510161103625
- [3] - SEE INST. INSTR. 9100001577
- [4] - NOT SHOWN



Pos.	Artikel-Nr.	Menge	Variante	Notes
1	9100000817	1	BALL FLOATING PKD	
3	9100001348	1	CLAMP 14/32-52 10 PCS SET	
4	9100001130	1	CUSHION SEAT ADHESIVE KIT	
6	9100000928	1	GASKET FLOAT SUPPORT PKD	
8	9100000818	1	CAGE FLOAT HALF 2 PCS SET	
9	9100001091	1	TRAY DEBRIS PKD	
10	9100001092	1	COVER TRAY DEBRIS PKD	
12	909 6380 000	1	Schlauchklammer BR 601BR 751	
13	9100001095	1	TANK RECOVERY 70 LT GREY SIP	
14	9100001106	1	HOSE SUCTION BLACK PKD	
15	9100001511	1	Deckel zu Schmutzwassertank	
16	9100001113	1	HOSE DRAIN BLACK PKD	
19	909 5065 000	1	Filter antischäum	[1]
21	9100001164	1	CLAMP HOSE D.40 BLACK KIT	
22	9100001143	1	SOUNDPROOFING UPPER VACUUM MOTOR PKD	
23	9100001181	1	MOTOR VACUUM 24V 310W KIT	
23	9100000957	1	Stärkerer Absaugmotor 24V 450W Kit	[2]
25	9100001146	1	PLATE HARNESS PROTECTION SIP	
26	9100001154	1	HOSE CORRUGATED BLACK D.6 L.150MM SIP	
29	9100000822	1	SUPPORT INT. INSULATION VAC. MOTOR SIP	
30	9100001116	1	HARNESS VACUUM MOTOR SIP	
33	9100001142	1	SOUNDPROOFING VACUUM MOTOR SIP	
34	9100001144	1	MOTOR VACUUM 24V 310W PKD	
K1	9100001875	1	SUPPORT FLOAT KIT	[3]
K2	9100001165	1	BAR SAFETY F TANK KIT	[4]
K3	9100001166	1	GASKETS VACUUM MOTOR KIT	[5]

Part Notes:

- [1] - OPTIONAL
- [2] - OPTIONAL - INST. INSTR. 9100000968
- [3] - NOT SHOWN - POS. 2-5-6-7-24
- [4] - NOT SHOWN - POS. 17-18-20
- [5] - NOT SHOWN - POS. 27-28-31-32-35

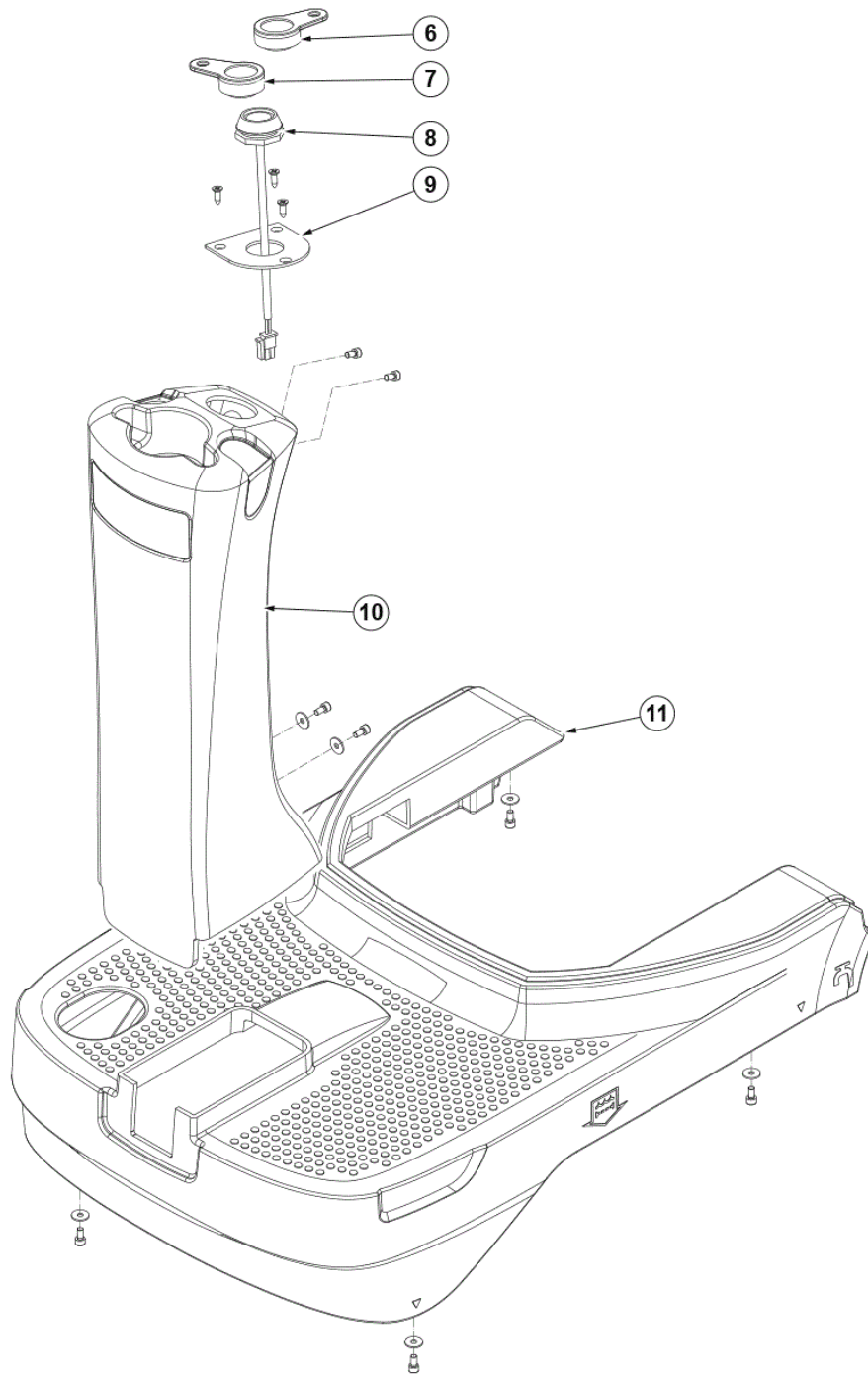


Pos.	Artikel-Nr.	Menge	Variante	Notes
5	9100001090	2	ROD EYE M10 PKD	
7	9100001096	1	SLEEVE RUBBER BLACK F SUCTION HOSE PKD	
8	9100001108	1	SUPPORT SQUEEGEE PKD	
10	9100002236	1	HARNES MACHINE SIP	
11	9100002385	1	HARNES FOOTBOARD F GREY LINE SIP	
12	9100001183	1	MICROSWITCH KIT	
13	9100001180	1	THROTTLE KIT	
14	9100001140	1	THROTTLE ELECTRONIC SIP	
15	9100002234	1	FUSE BOLT DOWN 50A SIP	
16	9100002235	2	HOLDER FUSE SIP	
K1	9100001167	1	HARDWARE SAFETY BAR KIT	[1]
K2	9100001168	1	SPRING ZERO SETTING SQUEEGEE KIT	[2]

Part Notes:

[1] - NOT SHOWN - POS. 1-3-6

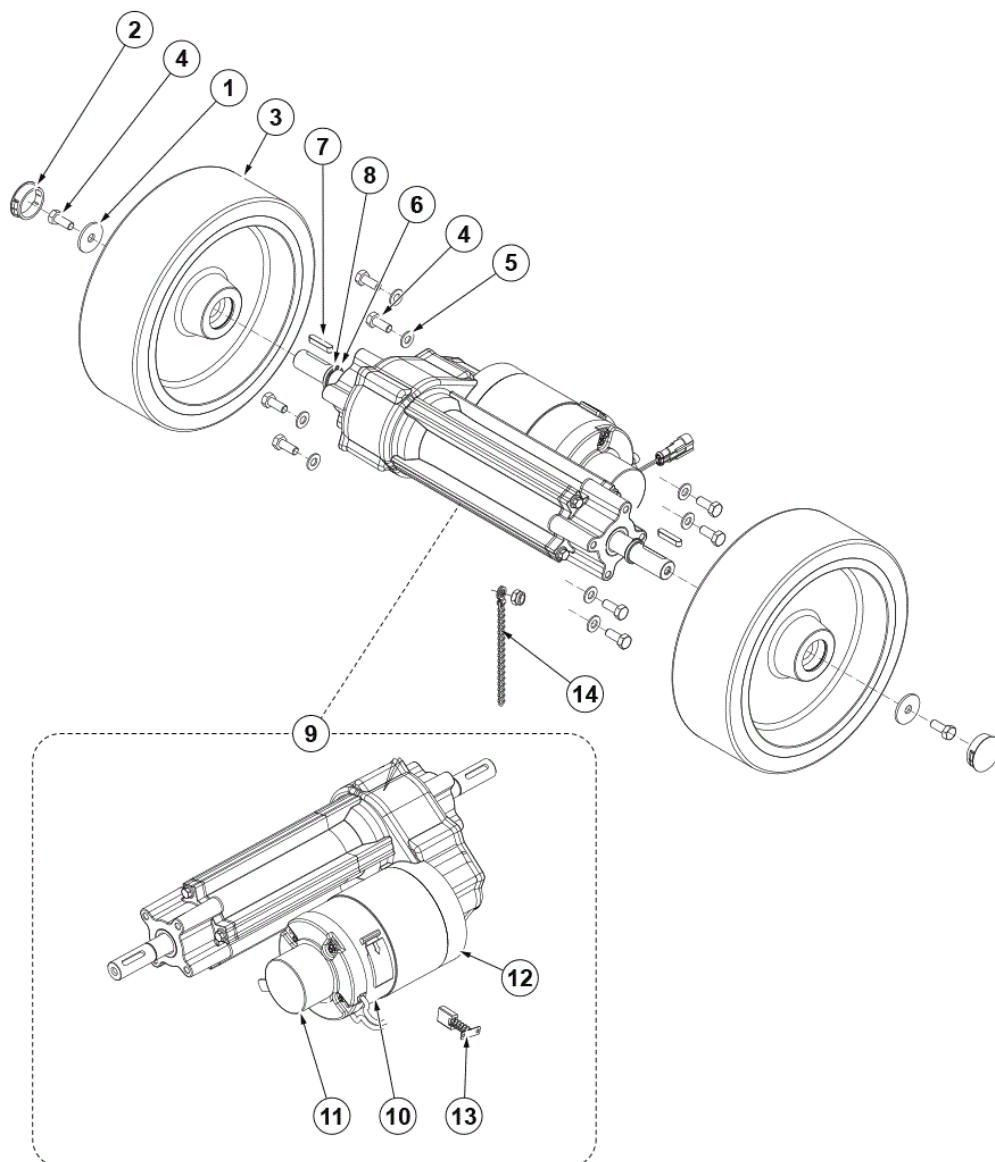
[2] - NOT SHOWN - POS. 2-4-9



Pos.	Artikel-Nr.	Menge	Variante	Notes
6	56116518	1	SMART KEY-USER	[1]
7	56116519	1	SMART KEY-SUPERVISOR	[1]
8	56116477	1	IBUTTON-PROBE	
9	9100002386	1	PLATE GALV. F SMARTKEY SIP	
10	9100002375	1	COLUMN STEERING PLAST. GREY SIP	
11	9100001097	1	FOOTBOARD GREY SIP	

Part Notes:

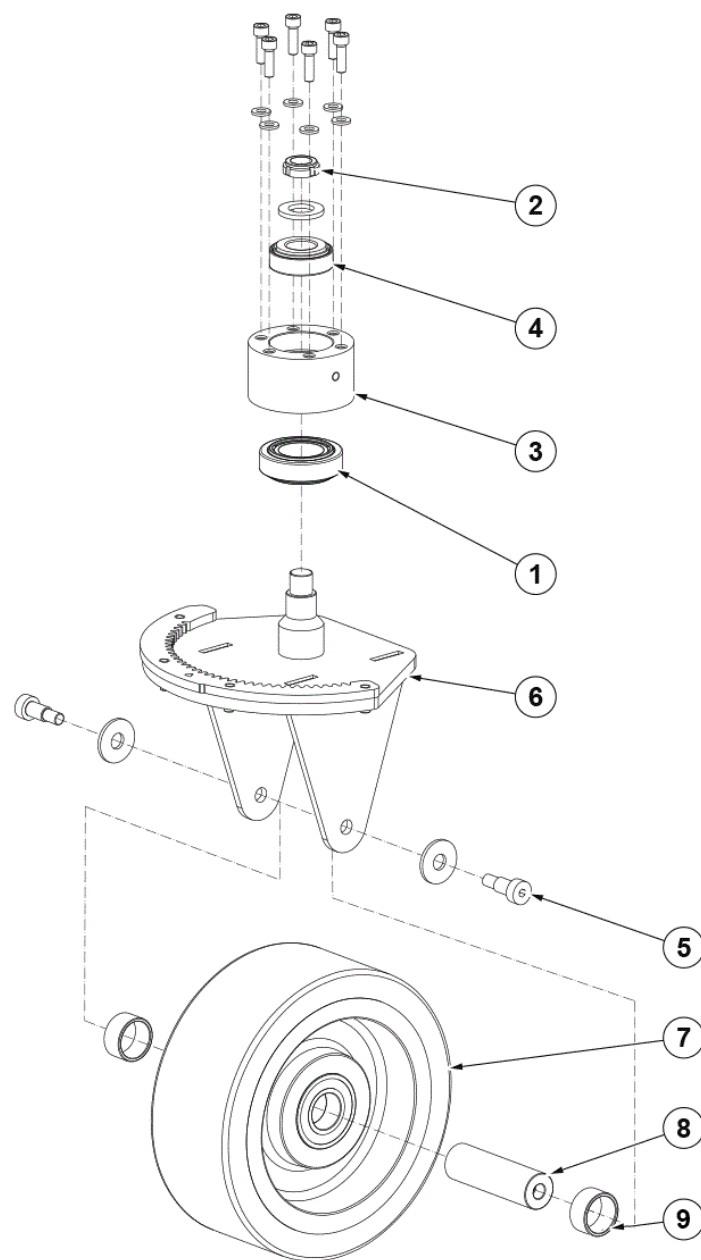
[1] - OPTIONAL



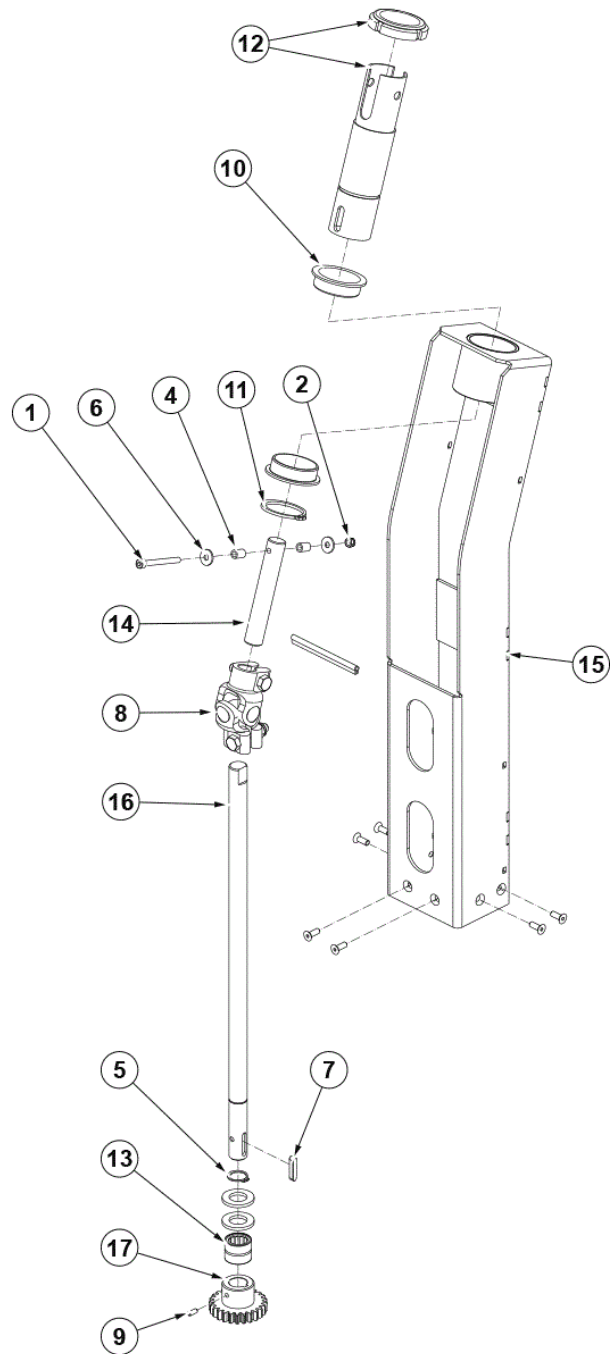
Pos.	Artikel-Nr.	Menge	Variante	Notes
3	9100001162	1	WHEEL D.254X80 GREY-BLACK 2 PCS SET	
5	9100001351	1	WASHER M8 UNI6592 SS 10 PCS SET	
6	9100001346	1	RING D 20 UNI7435 10 PCS SET	
7	9100001156	1	KEY JOINT 6X30 UNI6604A 10 PCS SET	
8	9100001161	1	SPACER 20.5X25X4 10 PCS SET	
9	9100001099	1	MOTOR DRIVE 400W 24V 125RPM PKD	
10	9100001198	1	BAND METAL F ELECTRIC MOTOR FIXING KIT	
11	9100001199	1	BRAKE ELECTR. RELEASED F DRIVE MOTOR SIP	
12	9100001200	1	MOTOR ELECTRIC 400W 24V SIP	
13	1464432000	1	Kohle Kit 4 Stück	
14	9100002418	1	CHAIN ANTISTATIC KIT	[1]
K1	9100001169	1	HARDWARE WHEEL D.254X80 KIT	[2]

Part Notes:

- [1] - STARTING FROM S/N (please wait)
 [2] - NOT SHOWN - POS. 1-2-4



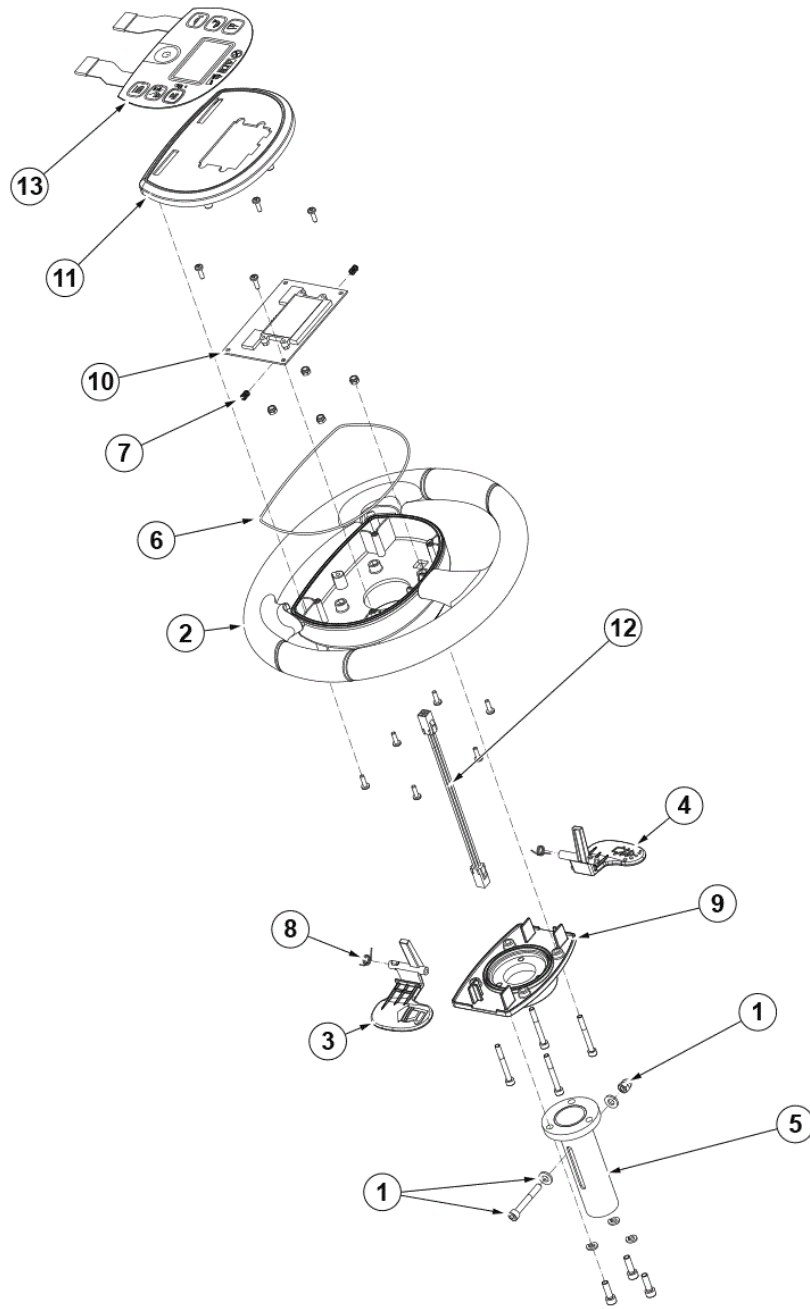
Pos.	Artikel-Nr.	Menge	Variante	Notes
1	1467636000	1	BEARING TAPER ROLLER 32006 SIP	
2	9100001349	1	NUT RING M15X1 KMA2 LIGHT SER.10 PCS SET	
3	9100001734	1	SUPPORT BALL BEARING PHOS. PKD	
4	1467639000	1	BEARING TAPER ROLLER 32004X SIP	
5	9100001160	1	SCREW SHOUL 10X16 M8 ISO7379 10 PCS SET	
6	9100001646	1	SUPPORT FRONT WHEEL ASSEMBLED SIP	
7	9100002334	1	WHEEL D.200X76 GREY-BLACK SIP	
8	9100001101	1	PIN WHEEL SIP	
9	9098299000	1	Radbefestigungskit	



Pos.	Artikel-Nr.	Menge	Variante	Notes
5	9100001345	1	RING D 17 UNI7435 10 PCS SET	
7	1466146000	1	KEY 5X5X25 UNI6604A PKD	
8	1466319000	1	JOINT UNIVERSAL D.17 PKD	
9	9100001350	1	SCREW GRUB M5X10 UNI5929 10 PCS SET	
10	9100001085	2	BEARING FLANGE IGLIDUR GFM-4044-14 SIP	
11	9100001087	1	RING D.40 UNI7436 SIP	
12	9100001450	1	TUBE STEERING KIT	
13	9100001093	1	BEARING NEEDLE ROLLER NK 17/20 PKD	[1]
13	9100001449	1	HARDWARE STEERING SUPPORT KIT	
13	9100002416	1	BEARING BALL 6203 2RS 2 PCS SET	[2]
14	9100001107	1	SHAFT STEERING UPPER GALV. SIP	
15	9100001109	1	SUPPORT STEERING COLUMN SIP	
16	9100001110	1	SHAFT STEERING LOWER PHOS. SIP	
17	9100001125	1	PINION T25 P50 SIP	
K1	9100001170	1	HARDWARE STEERING TUBE KIT	[3]

Part Notes:

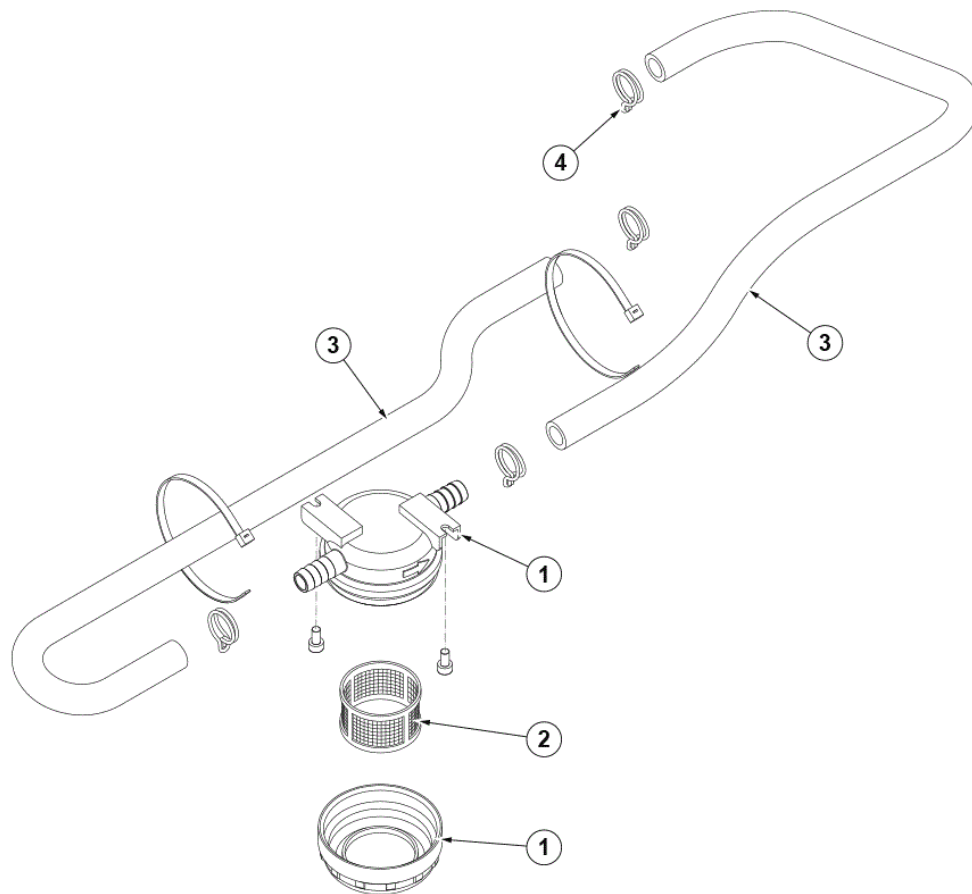
- [1] - UNTILS/N 3510163104804
- [2] - STARTINGFROMS/N 3510163104805
- [3] - NOT SHOWN - POS. 1-2-4-6



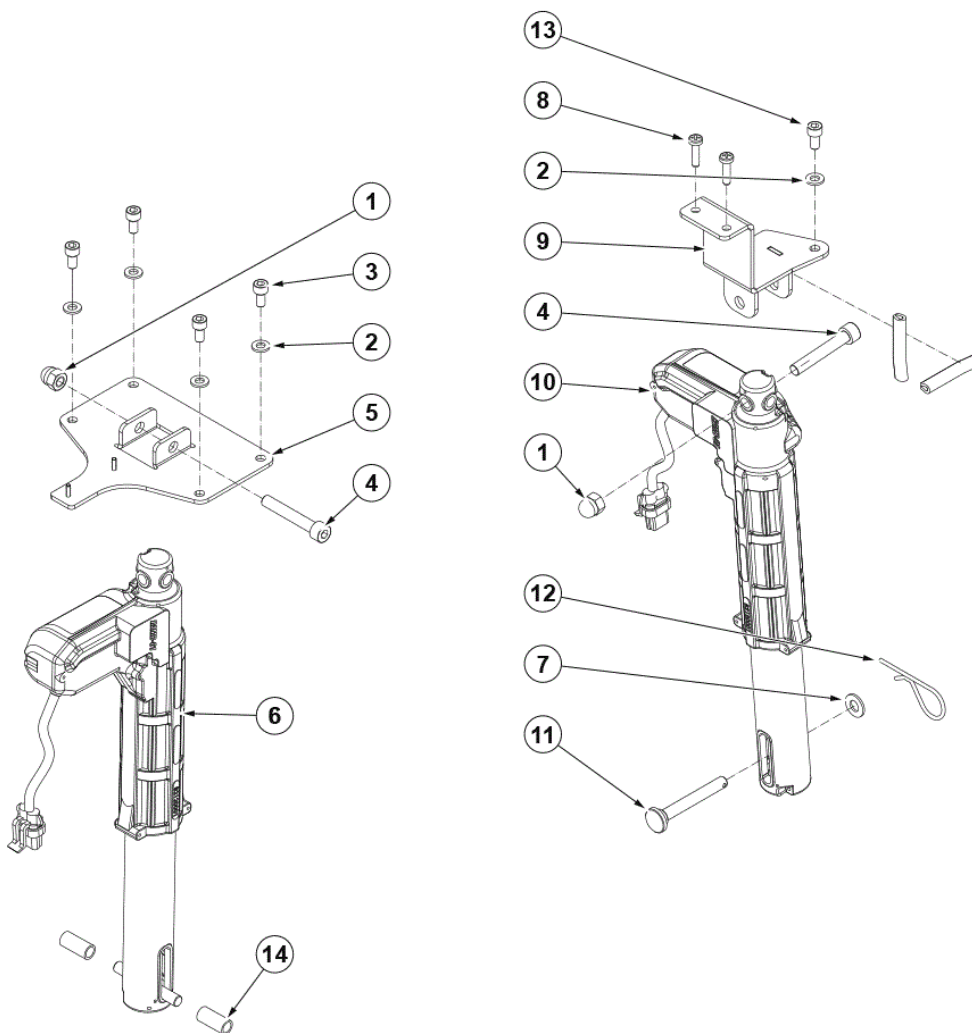
Pos.	Artikel-Nr.	Menge	Variante	Notes
1	9100001171	1	HARDWARE STEERING WHEEL KIT	
2	9100001082	1	WHEEL STEERING D.320X281 SIP	
3	9100001083	1	LEVER RIGHT PA YELLOW SIP	
4	9100001084	1	LEVER LEFT PA BLACK SIP	
5	9100001086	1	TUBE ADJUST.STEERING WHEEL SIP	
6	9100001088	1	GASKET ROUND D.2MM PKD	
7	9100001157	1	SPRING MOVING BOTTON 10 PCS SET	
8	9100001158	1	SPRING TORSION FOR STEERING 10 PCS SET	
9	9100001089	1	COVER LOWER SIP	
10	9100002373	1	CONTROLLER DISPLAY SIP	
11	9100001114	1	COVER STEERING WHEEL PKD	[1]
12	9100002372	1	CABLE EXTENSION F CONTROLLER DISPLAY SIP	
13	9100001123	1	DASHBOARD CONTROL PANEL PKD	

Part Notes:

[1] - TSB-FC-2018-020



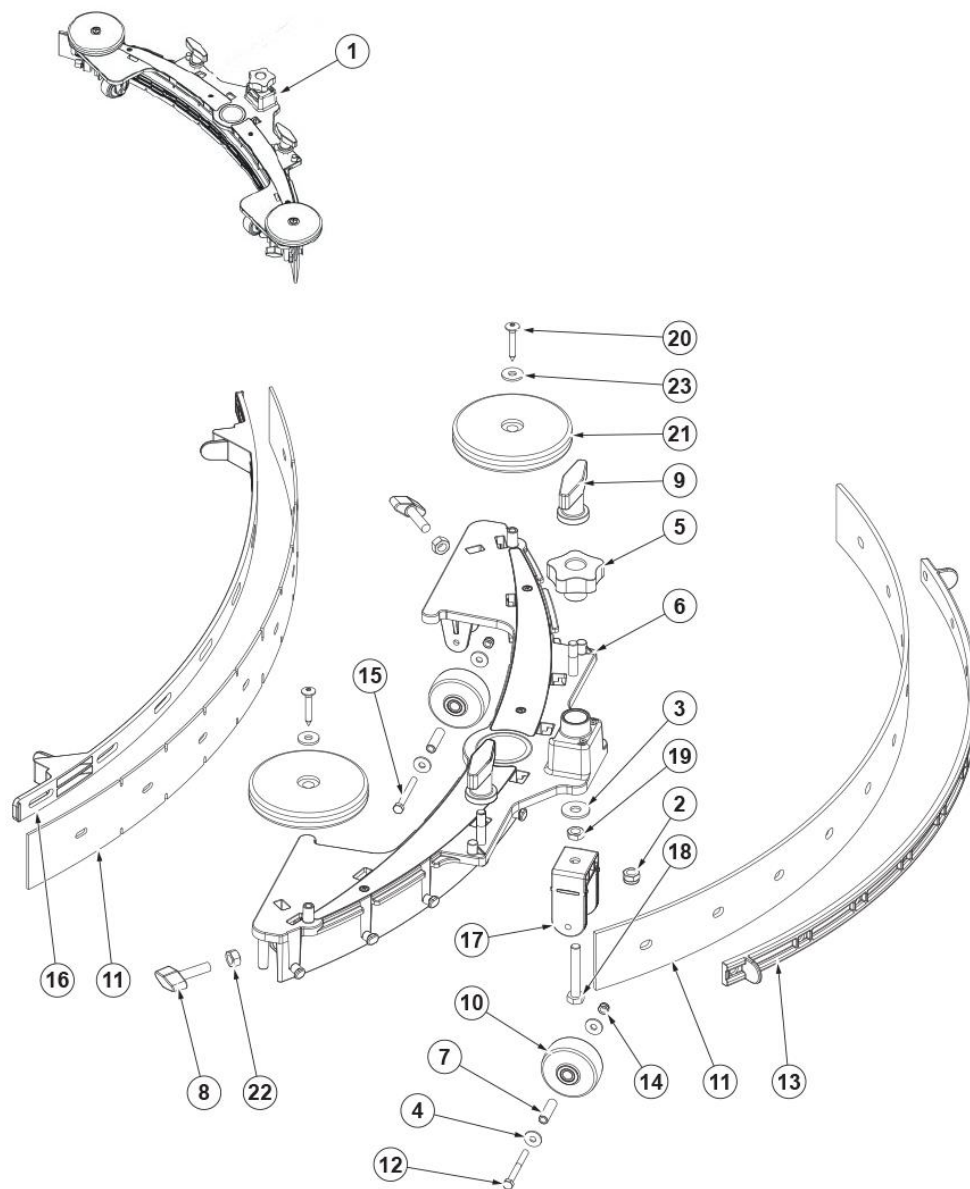
Pos.	Artikel-Nr.	Menge	Variante	Notes
1	9100000860	1	Wasserfilter	
2	9100000861	1	NET WATER FILTER REINFORCED PKD	
3	9100001174	1	HOSES SOLUTION KIT	
4	9100001159	1	CLAMP DOUBLE WIRE SPRING D.18 10 PCS SET	



Pos.	Artikel-Nr.	Menge	Variante	Notes
5	9100001126	1	SUPPORT DECK ACTUATOR SIP	[1]
6	9100001131	1	ACTUATOR 24V DC STROKE 98MM 16MM/S PKD	
9	9100001103	1	SUPPORT SQUEEGEE ACTUATOR SIP	[2]
9	9100001754	1	SUPPORT SQUEEGEE ACTUATOR GALV. SIP	[3]
10	9100001133	1	ACTUATOR 24V DC STROKE 77.5MM 16MM/S PKD	
14	9100002105	1	CAP D.9 PLASTIC 10 PCS SET	[4]
K1	9100001663	1	HARDWARE ACTUATOR SUPPORT KIT	[5]
K2	9100001173	1	HARDWARE ACTUATOR KIT	[6]

Part Notes:

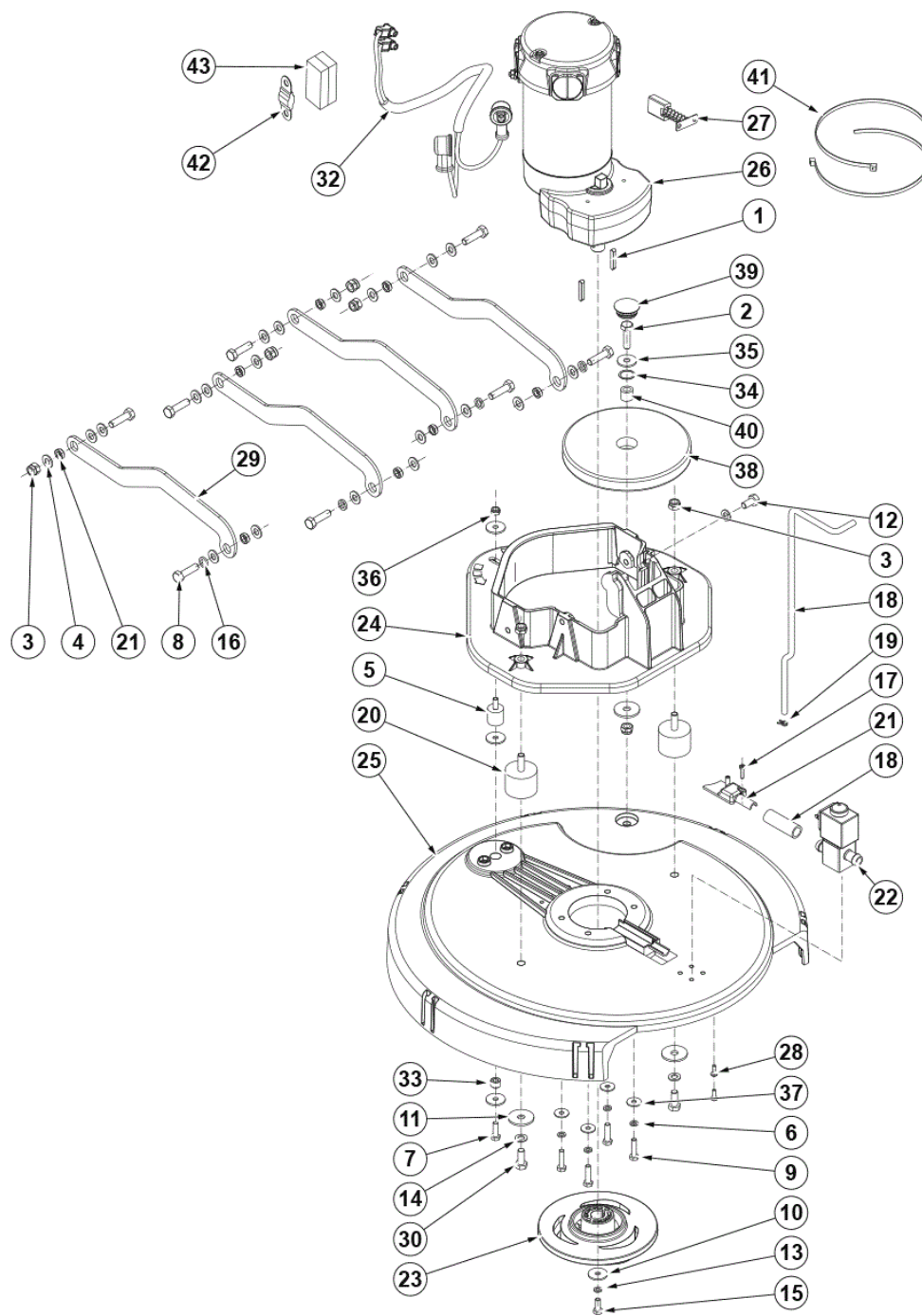
- [1] - SEE TSB-FC-2016-007
SEE DE TSB-FC-2016-007
- [2] - STOCK COVERS GUARANTEE
UNTIL S/N 3510163404520
- [3] - STARTING FROMS/N 3510163404521
- [4] - SEE TSB-FC-2016-021
- [5] - NOT SHOWN - POS. 2-3-8-13
- [6] - NOT SHOWN - POS. 1-4-7-11-12



Pos.	Artikel-Nr.	Menge	Variante	Notes
1	9100001366	1	SQUEEGEE NON MARKING 730MM/29 KIT	[1]
1	9100001367	1	SQUEEGEE PU 730MM/29 KIT	[2]
5	9100000862	1	KNOB LOBES M8 FEMALE PKD	
6	9100000747	1	SQUEEGEE 730MM/29 PRE-ASSEMBLED PKD	
7	9100002408	1	BEARING SLEEVE D.5.1X8 H.28.5 3 PCS SET	
8	9100000791	2	KNOB M8X30 THD STUD SS PKD	
9	9097637000	1	Befestigungskit BA 551	
10	9100000559	3	Rad grau D.51	
11	9100000810	1	Sauglippen-Set, Gummi, 740 mm, 29"	[3]
11	9100000490	1	Sauglippen-Set PU Gummi, 740 mm, 29"	[3]
11	9100000060	1	Sauglippen-Set 730 mm, 29", rot	[3]
13	9100000864	1	STRAP ELASTIC F REAR SQUEEGEE BLADE PKD	
16	9100000865	1	STRAP FRONT SQUEEGEE BLADE PKD	
17	9100000866	1	SUPPORT SQUEEGEE WHEEL SIP	
21	9100001816	1	WHEEL BUMPER D.100 PLASTIC 2 PCS SET	
K1	9100000748	1	HARDWARE SQUEEGEE KIT	[4]

Part Notes:

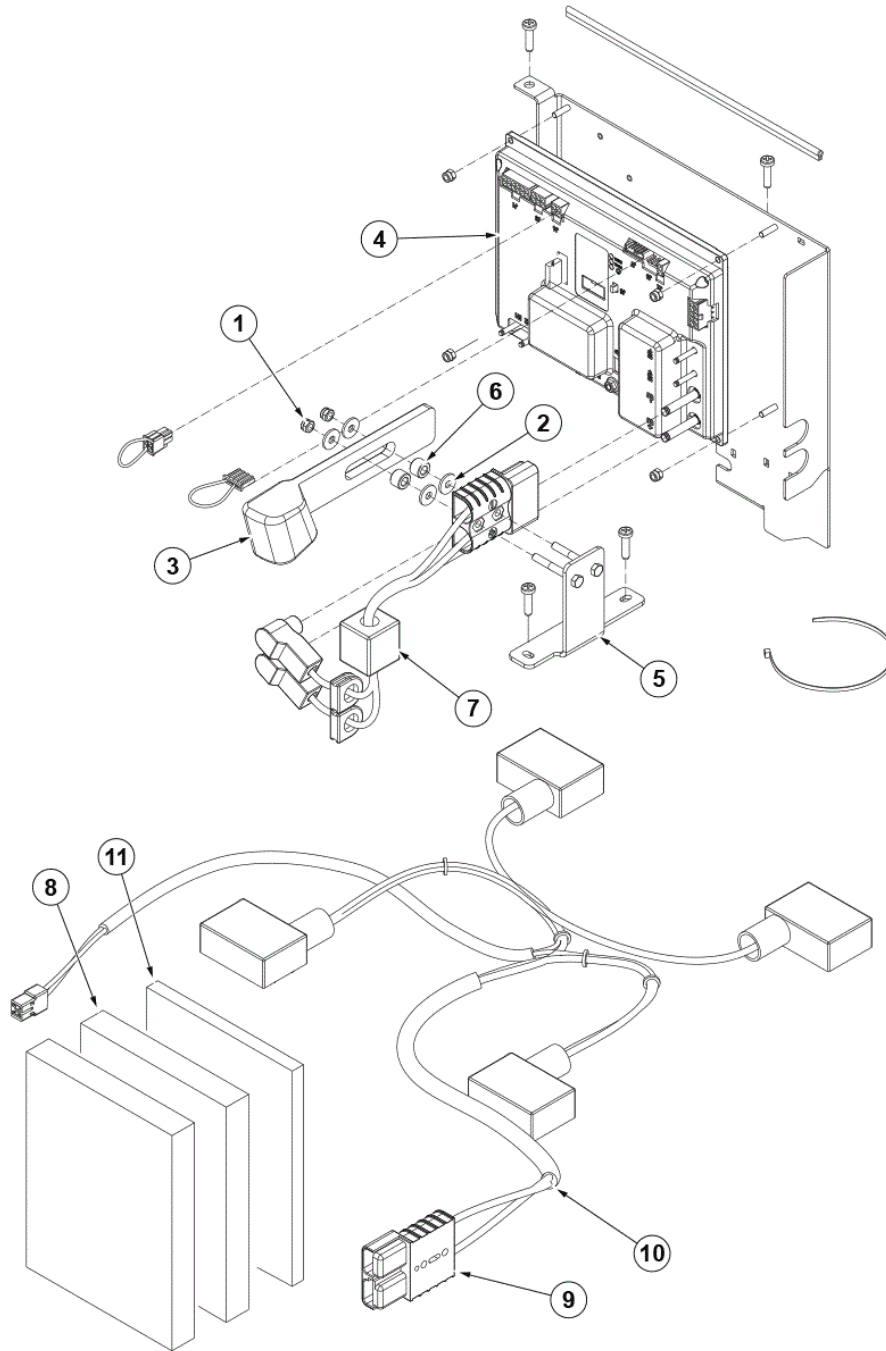
- [1] - ONLY FOR SC500
- [2] - ONLY FOR SC2000 - SCRUBTEC R253 - RA40
- [3] - OPTIONAL
- [4] - NOT SHOWN - Pos. 1-2-3-4-7-12-14-15-18-19-20-22



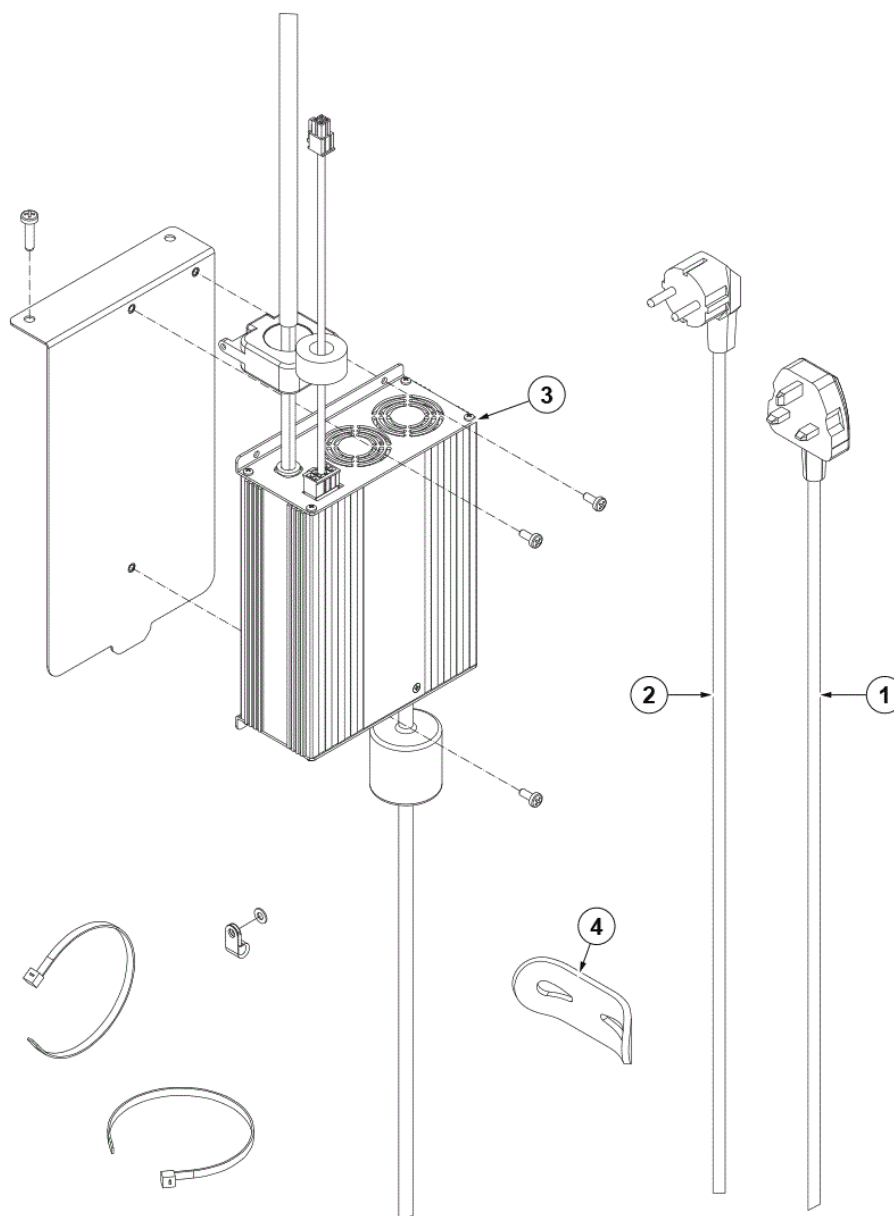
Pos.	Artikel-Nr.	Menge	Variante	Notes
1	9100000875	1	KEY 5X5X30 DIN6885 2 PCS SET	
5	9100001352	1	VIBRATION-DAMPING M6 60SH SIP	
7	9100001347	1	SCREW M6X20 UNI5739 SS 10 PCS SET	
18	9100000797	1	HOSES BRUSH DECK KIT	
20	9100000868	1	VIBRATION DAMPING M8 60SH 2 PCS SET	
21	9100000869	1	COVER SOLUTION HOSE SUPPORT PKD	
22	9100000870	1	SOLENOID VALVE 24V PKD	
23	9100000871	1	HUB BRUSH PKD	
24	9100000872	1	PLATE BRUSH DECK HOLDER SIP	
25	9100000873	1	DECK BRUSH PKD	
26	9100000874	1	REDUCTION GEARMOTOR 450W 24V PKD	
27	9098376000	1	CARBON BRUSHES KIT 4 PCS	
29	9100001163	1	ARM BRUSH DECK LIFTING 4 PCS SET	
32	9100002237	1	HARNES BRUSH MOTOR SIP	
42	9100002234	1	FUSE BOLT DOWN 50A SIP	
43	9100002235	1	HOLDER FUSE SIP	
K1	909 6887 000	1	Abweisrollenkit	[1]
K2	9100001175	1	HARDWARE BRUSH DECK LIFTING ARMS KIT	[2]
K3	9100001176	1	HARDWARE BRUSH DECK KIT	[3]

Part Notes:

- [1] - NOT SHOWN - POS. 2-34-35-38-39-40
- [2] - NOT SHOWN - POS. 3-4-8-16-21
- [3] - NOT SHOWN - POS. 3-6-9-10-11-12-13-14-15-17-19-28-30-33-36-37-41



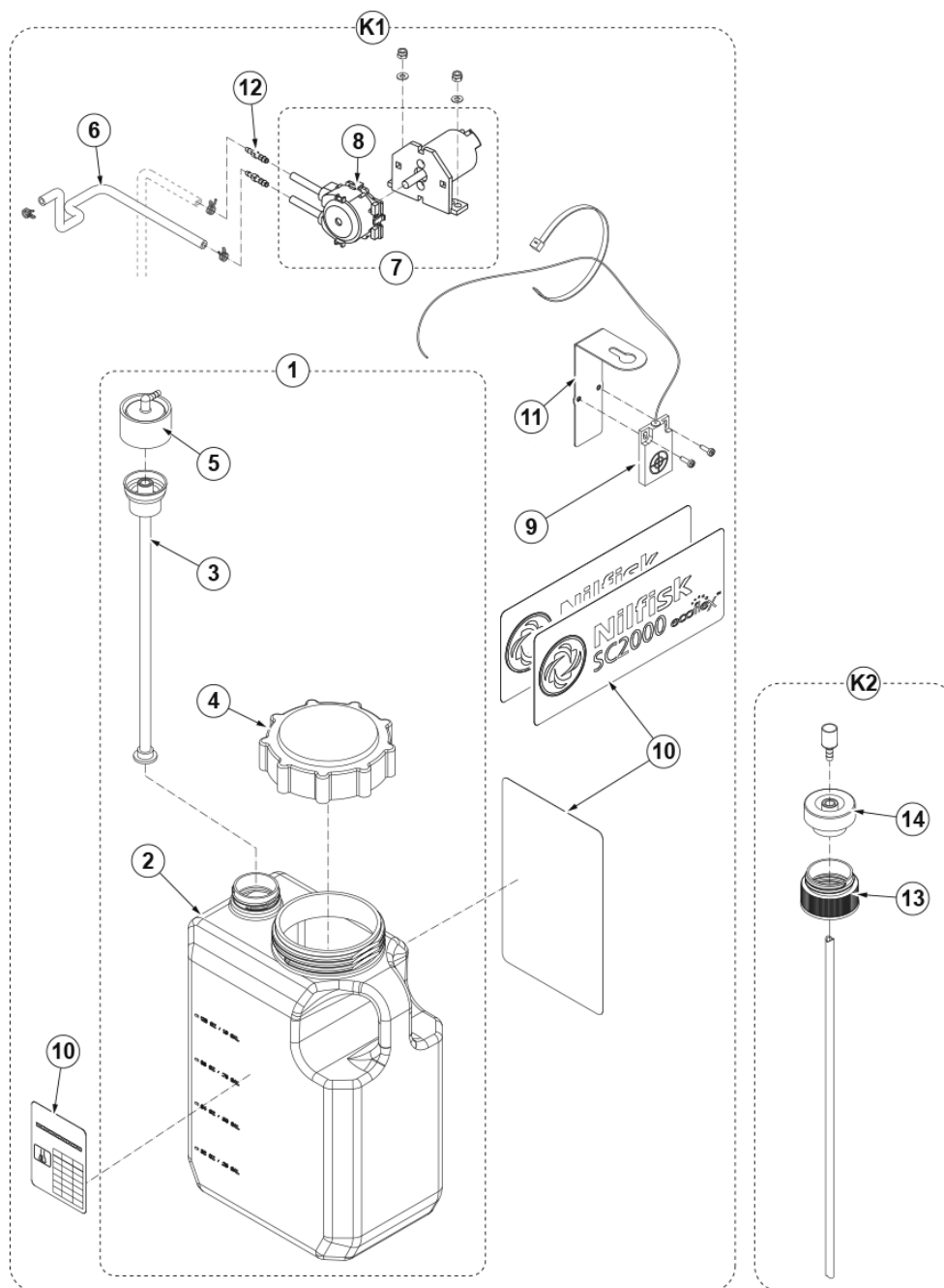
Pos.	Artikel-Nr.	Menge	Variante	Notes
4	9100002376	1	CONTROLLER MAIN MACHINE SIP	
7	9100001141	1	HARNESS ELECTRIC COMPONENTS BOX SIP	
9	9100002117	1	CONNECTOR RED 120A PKD	
10	9100001954	1	Kabelsatz Batterien	
10	9100001015	1	HARNESS BATTERY US SIP	
K1	9100001177	1	PANELS INSULATING KIT	
K2	9100001179	1	LEVER EMERGENCY KIT	



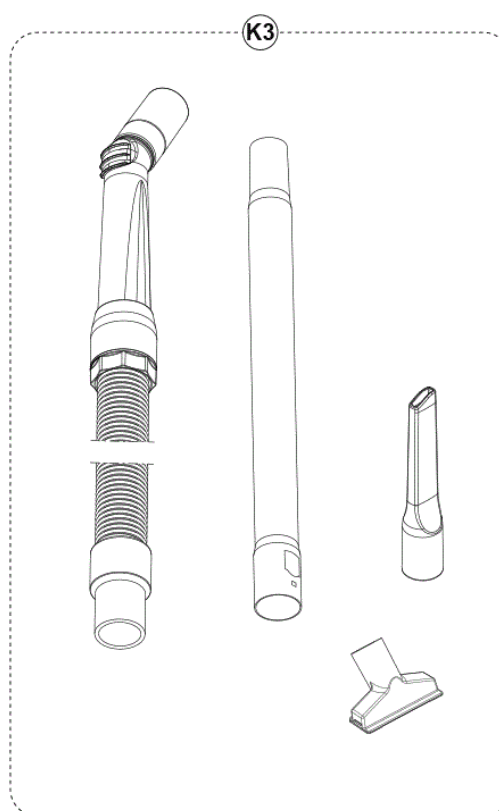
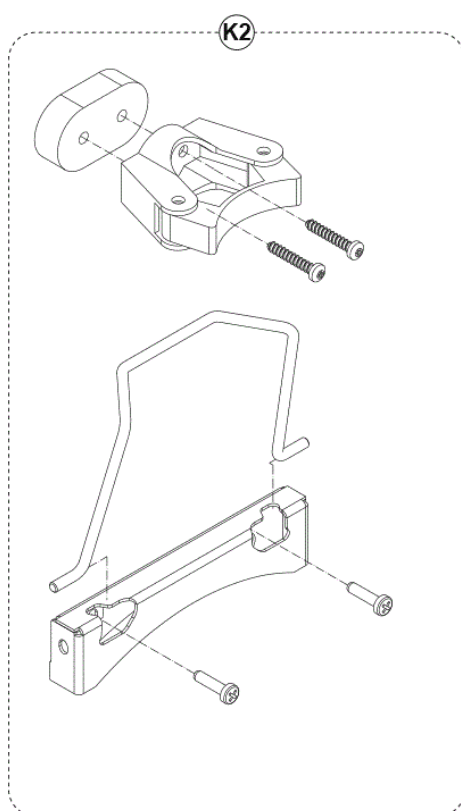
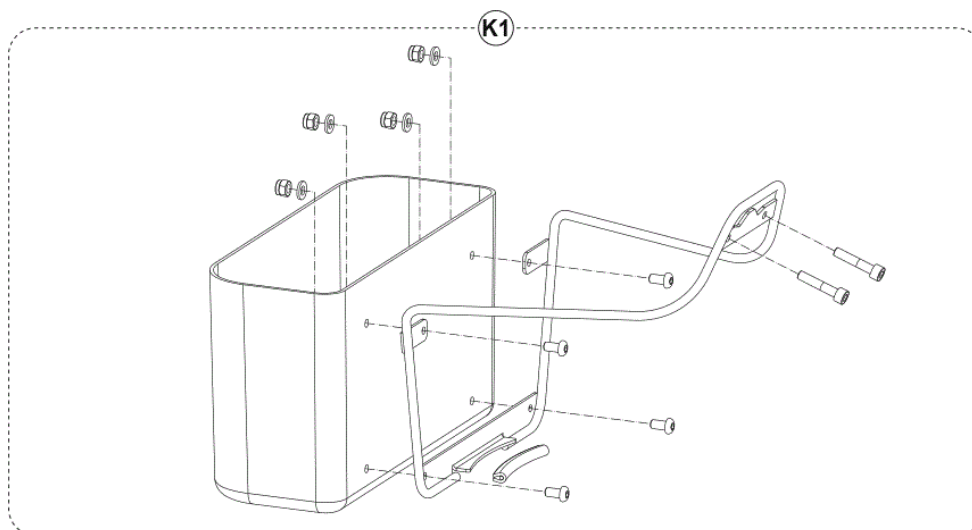
Pos.	Artikel-Nr.	Menge	Variante	Notes
1	1466318000	1	CABLE EXTENSION UK PLUG L.2000MM SIP	[1]
2	9100000787	1	CABLE EXTENSION EU PLUG L.2000 PKD	[1]
2	9100000890	1	CABLE EXTENSION US PLUG L.2000MM SIP	[2]
3	9100001145	1	CHARGER BATT. O/B 24V 13A 100-230V PKD	[3]
4	9100000829	1	BAND ELASTIC F EXTENSION CABLE PKD	
K1	9100000940	1	Einbauladegerät 24V 100-230V EU Kit	[4]
K2	9100001715	1	CHARGER BATT.O/B JP 24V 13A 100-240V KIT	[5]

Part Notes:

- [1] - ONLY FOR EU VERSION
- [2] - ONLY FOR US VERSION
- [3] - SEE TSB-FC-2016-010
- [4] - NOT SHOWN -EU VERSION - OPTIONAL - POS. 1-2-3-4 - SEE INST. INSTR. 9100001068
- [5] - NOT SHOWN - JP VERSION - OPTIONAL - POS. 1-2-3-4 -SEE INST. INSTR. 9100001717



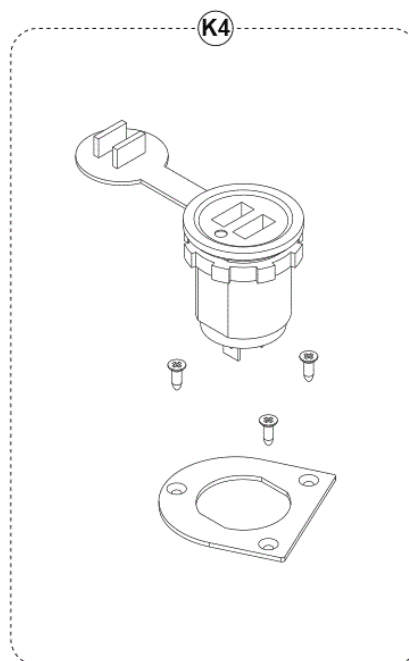
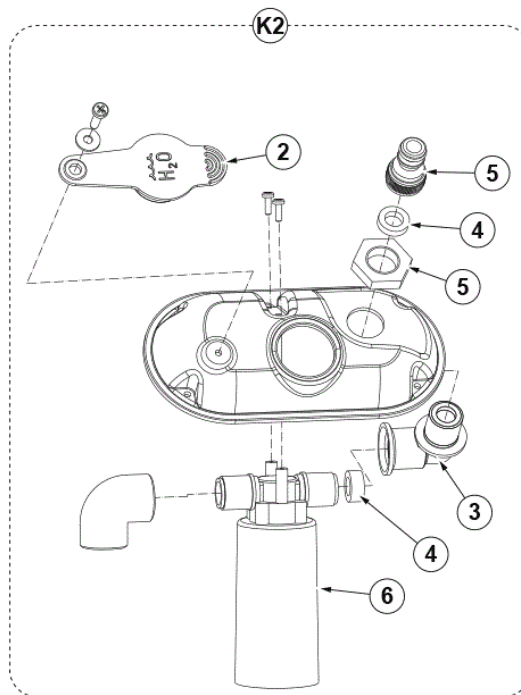
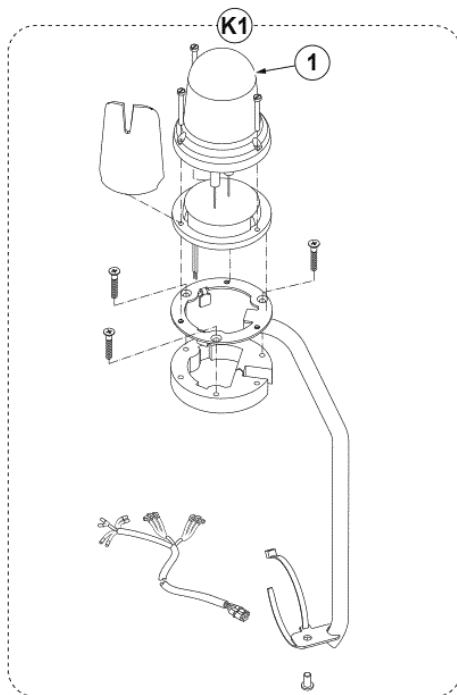
Pos.	Artikel-Nr.	Menge	Variante	Notes
1	56104190	1	Ecoflex-Behälter 5 Liter	
2	9100001081	1	CHEMIE TANK PKD	
3	56104189	1	INSERT-DRY BRAKE	
4	9100001817	1	CAP PLASTIC F CHEMICAL TANK SIP	
5	56315523	1	Deckel EDS-Schwimmer	
6	9100000891	1	HOSE SILICONE D.4X7 L.300MM PKD	
7	9100002398	1	PUMP DETERG. MIX PERISTALTIC 24V SIP	
8	9100002388	1	HEAD PERISTALTIC PUMP DETERG. SIP	
9	9100001818	1	SENSOR WATER LEVEL KIT	
10	9100001178	1	DECALS NILFISK SC2000 ECOFLEX KIT	
10	9100002409	1	DECALS ADVANCE SC2000 KIT	
11	9100001820	1	SUPPORT F WATER LEVEL SENSOR KIT	
12	9100002402	1	BARB HOSE STRAIGHT D.5-D.4 2 PCS SET	
K1	9100002389	1	ECOFLEX REINIGUNGSMITTEL SET SC2000	
13	9097023000	1	Adapter f. Chemie Tank	
14	9097022000	1	Niveaufühler	
K2	9098025000	1	Reduzierstück f.	



Pos.	Artikel-Nr.	Menge	Variante	Notes
1	9100000697	1	Zubehörkorb Kit	[1]
2	9100000688	1	Mophalter Kit	[2]
3	9100002205	1	DRAINING HAND TOOL	[3]

Part Notes:

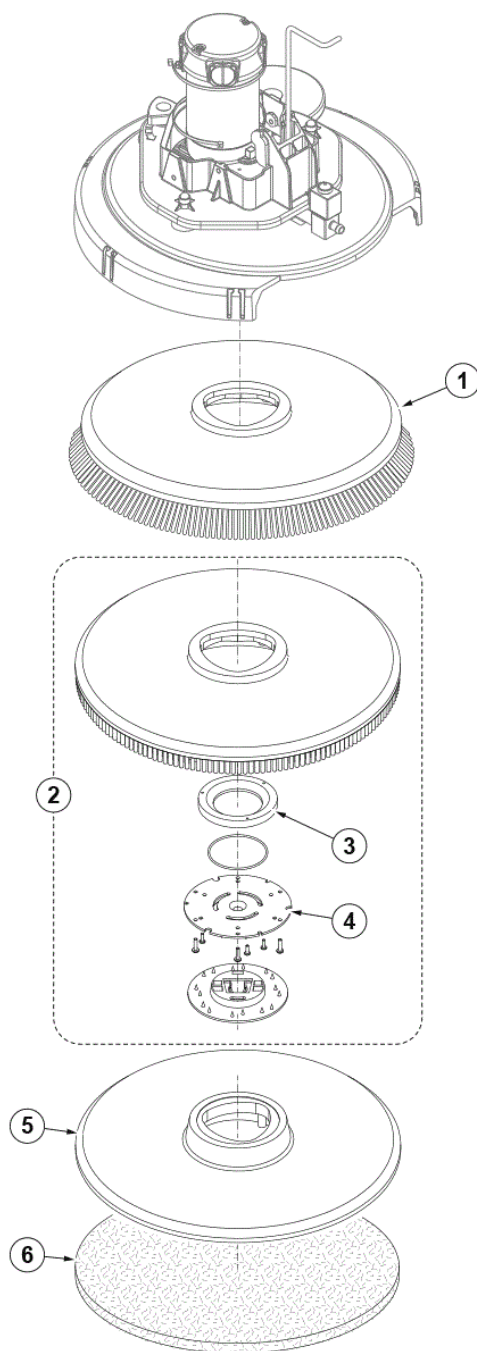
- [1] - OPTIONAL - SEE INST. INTR. 9100001067
- [2] - OPTIONAL - SEE INST. INSTR. 9100000985
- [3] - OPTIONAL



Pos.	Artikel-Nr.	Menge	Variante	Notes
K1	9100000663	1	Rundumlicht	[1]
1	33023155	1	Rundumleuchte	
K2	9100000707	1	Automatische Wasserbefüllleinrichtung, Ki	[2]
2	9100000808	1	RUBBER SOLUTION CAP PKD	
3	9100000894	1	ELBOW CURVED M/F PKD	
4	9100000622	2	GASKET RUBBER D.11.5X19X5 BLACK SIP	
5	9099675000	1	Schnellkupplung	
6	9100000897	1	VALVE WATER STOP PKD	
K3	9100001441	1	Spritzschutz komplett	
K4	9100002238	1	USB PORT KIT SC2000	[3]

Part Notes:

- [1] - OPTIONAL - SEE INST. INSTR. 9100000982
- [2] - OPTIONAL - SEE INST. INSTR. 9100000984
- [3] - OPTIONAL - SEE INST. INSTR. 9100000983



Pos.	Artikel-Nr.	Menge	Variante	Notes
1	L08837025	1	Bürste PPN mittel, 530 mm	[1]
1	L08837026	1	Bürste PPN weich, 530 mm	[1]
1	L08837027	1	Bürste Union Mix, 530 mm	[1]
1	L08837028	1	Bürste Mid Grit 180, 530 mm	[1]
1	L08837029	1	Bürste Sica Mid Grit 240, 530mm	[1]
1	L08837065	1	Bürste Magna Grit 46, 530 mm	[1]
1	L08837066	1	Bürste Dyna Grit 80, 530 mm	[1]
1	L08837067	1	Schleifkornbürste 21" AGLiteGrit 500	[1]
2	L08837018	1	Padhalter m. Padverschluss, 530 mm	[1]
3	L08603966	1	Nylon Ring	
4	56505195	1	Padverschluss m. Spange	
5	9099671000	1	Padhalter Ø 508 mm, 20"	[1]
6	10001955	1	Eco Pad 20", Ø 508 mm, schwarz, VPE 5	[1]
6	10001956	1	Eco Pad 20", Ø 508 mm, blau, VPE 5	[1]
6	10001957	1	Eco Pad 20", Ø 508 mm, braun, VPE 5	[1]
6	10001958	1	Eco Pad 20", Ø 508 mm, grün, VPE 5	[1]
6	10001959	1	Eco Pad 20", Ø 508 mm, rot, VPE 5	[1]
6	10001960	1	Eco Pad 20", Ø 508 mm, weiß, VPE 5	[1]
6	10002348	1	Eco Brill. Pad 20", Ø 508 mm, rot, VPE 2	[1]
6	10002349	1	Eco Brill. Pad 20", Ø 508 mm, blau, VPE	[1]
6	10002350	1	Eco Brill. Pad 20", Ø 508 mm, gelb, VPE	[1]
6	10002351	1	Eco Brill. Pad 20", Ø508mm, grün/VPE 2 PC	[1]

Part Notes:

[1] - OPTIONAL

Pos.	Artikel-Nr.	Menge	Variante	Notes
BE	9100000663		Rundumlicht	
BRK	9100001199		BRAKE ELECTR. RELEASED F DRIVE MOTOR SIP	
CH	9100001145		CHARGER BATT. O/B 24V 13A 100-230V PKD	
EB1#	9100002376		CONTROLLER MAIN MACHINE SIP	
EB2#	9100002373		CONTROLLER DISPLAY SIP	
EB3	9100001123		DASHBOARD CONTROL PANEL PKD	
EV1	9100000870		SOLENOID VALVE 24V PKD	
F1	9100000877		FUSE MIDIFUSE 100A PKD	
F2	9100000878		FUSE BLADE 3A PKD	
F3#	9100002234		FUSE BOLT DOWN 50A SIP	
F4#	9100002234		FUSE BOLT DOWN 50A SIP	
IB#	56116477		IBUTTON-PROBE	
M1	9100000874		REDUCTION GEARMOTOR 450W 24V PKD	
M2	9100001144		MOTOR VACUUM 24V 310W PKD	
M3	9100001200		MOTOR ELECTRIC 400W 24V SIP	
M4#	9100002398		PUMP DETERG. MIX PERISTALTIC 24V SIP	
M5	9100001131		ACTUATOR 24V DC STROKE 98MM 16MM/S PKD	[1]
M6	9100001133		ACTUATOR 24V DC STROKE 77.5MM 16MM/S PKD	
POT	9100001140		THROTTLE ELECTRONIC SIP	
S1#	9100001818		SENSOR WATER LEVEL KIT	
SW3	9100001130		CUSHION SEAT ADHESIVE KIT	
SW4	9100001183		MICROSWITCH KIT	
USB	9100002238		USB PORT KIT SC2000	

Part Notes:

- [1] - TSB-FC-2016-007- SC2000 Actuators check
DE TSB-FC-2016-007 SC2000 Scrubtec R2 Stellantrieb und Hauptsteuerung

Pos.	Artikel-Nr.	Menge	Variante	Notes
NW	9100001511	1	Deckel zu Schmutzwassertank	
NW	9100000810	1	Sauglippen-Set, Gummi, 740 mm, 29"	
NW	9100000490	1	Sauglippen-Set PU Gummi, 740 mm, 29"	
NW	9100000060	1	Sauglippen-Set 730 mm, 29", rot	
NW	L08837025	1	Bürste PPN mittel, 530 mm	
OM	9100000803	1	VALVE ELBOW PKD	
OM	9100000574	1	FITTING STRAIGHT G1/2 D.20 KIT	
OM	1465355000	1	CAP SOLUTION TANK KIT	
OM	9100001353	1	FILTER SOLUTION TANK PKD	
OM	9100001578	1	HOSE FRESH WATER LEVEL KIT	
OM	9100001139	2	GASKET RUBBER D.21X33X2.5 BLACK SIP	
OM	9100000817	1	BALL FLOATING PKD	
OM	9097587000	1	Korb f. Schwimmerventil	
OM	9100000928	1	GASKET FLOAT SUPPORT PKD	
OM	9100001106	1	HOSE SUCTION BLACK PKD	
OM	9100001113	1	HOSE DRAIN BLACK PKD	
OM	9100001144	1	MOTOR VACUUM 24V 310W PKD	
OM	56116518	1	SMART KEY-USER	
OM	56116519	1	SMART KEY-SUPERVISOR	
OM	56116477	1	IBUTTON-PROBE	
OM	1464432000	1	Kohle Kit 4 Stück	
OM	9100002334	1	WHEEL D.200X76 GREY-BLACK SIP	
OM	9100000860	1	Wasserfilter	
OM	9100000861	1	NET WATER FILTER REINFORCED PKD	
OM	9100000862	1	KNOB LOBES M8 FEMALE PKD	
OM	9100000791	2	KNOB M8X30 THD STUD SS PKD	
OM	9100000559	3	Rad grau D.51	
OM	9100000864	1	STRAP ELASTIC F REAR SQUEEGEE BLADE PKD	
OM	9100000865	1	STRAP FRONT SQUEEGEE BLADE PKD	
OM	9100001816	1	WHEEL BUMPER D.100 PLASTIC 2 PCS SET	
OM	9100000748	1	HARDWARE SQUEEGEE KIT	
OM	9100000870	1	SOLENOID VALVE 24V PKD	
OM	9100000871	1	HUB BRUSH PKD	
OM	9098376000	1	CARBON BRUSHES KIT 4 PCS	
OM	L08812204	1	Abweisrolle zu BA 530	
OM	9100000891	1	HOSE SILICONE D.4X7 L.300MM PKD	
OM	9100002398	1	PUMP DETERG. MIX PERISTALTIC 24V SIP	
EOM	9100001130	1	CUSHION SEAT ADHESIVE KIT	
EOM	9100001091	1	TRAY DEBRIS PKD	
EOM	9100001092	1	COVER TRAY DEBRIS PKD	
EOM	9100001105	1	CARD ELECTRONIC KEY SIP	
EOM	9100001180	1	THROTTLE KIT	
EOM	9100001168	1	SPRING ZERO SETTING SQUEEGEE KIT	
EOM	9100001162	1	WHEEL D.254X80 GREY-BLACK 2 PCS SET	
EOM	9100001200	1	MOTOR ELECTRIC 400W 24V SIP	
EOM	9100001734	1	SUPPORT BALL BEARING PHOS. PKD	
EOM	1467639000	1	BEARING TAPER ROLLER 32004X SIP	
EOM	9100001160	1	SCREW SHOUL 10X16 M8 ISO7379 10 PCS SET	
EOM	9100001101	1	PIN WHEEL SIP	
EOM	9100001350	1	SCREW GRUB M5X10 UNI5929 10 PCS SET	
EOM	9100001093	1	BEARING NEEDLE ROLLER NK 17/20 PKD	
EOM	9100001449	1	HARDWARE STEERING SUPPORT KIT	
EOM	9100002373	1	CONTROLLER DISPLAY SIP	
EOM	9100001123	1	DASHBOARD CONTROL PANEL PKD	
EOM	9100001174	1	HOSES SOLUTION KIT	
EOM	9100001131	1	ACTUATOR 24V DC STROKE 98MM 16MM/S PKD	
EOM	9100001133	1	ACTUATOR 24V DC STROKE 77.5MM 16MM/S PKD	
EOM	9100001173	1	HARDWARE ACTUATOR KIT	
EOM	9100000797	1	HOSES BRUSH DECK KIT	

PL RECOMMENDED PARTS

SC2000I 53 B NIL

2017.11.02

2017.08.25

Pos.	Artikel-Nr.	Menge	Variante	Notes
EOM	9100000868	1	VIBRATION DAMPING M8 60SH 2 PCS SET	
EOM	9100000874	1	REDUCTION GEARMOTOR 450W 24V PKD	
EOM	909 6887 000	1	Abweisrollenkit	
EOM	9100002376	1	CONTROLLER MAIN MACHINE SIP	
EOM	9100002117	1	CONNECTOR RED 120A PKD	
EOM	9100001179	1	LEVER EMERGENCY KIT	
EOM	9100001145	1	CHARGER BATT. O/B 24V 13A 100-230V PKD	
EOM	9100001081	1	CHEMIE TANK PKD	
EOM	56104189	1	INSERT-DRY BRAKE	
EOM	9100001817	1	CAP PLASTIC F CHEMICAL TANK SIP	
EOM	56315523	1	Deckel EDS-Schwimmer	
EOM	9100001818	1	SENSOR WATER LEVEL KIT	
EOM	56315523	1	Deckel EDS-Schwimmer	
EOM	9100000891	1	HOSE SILICONE D.4X7 L.300MM PKD	
EOM	9098025000	1	Reduzierstück f.	

