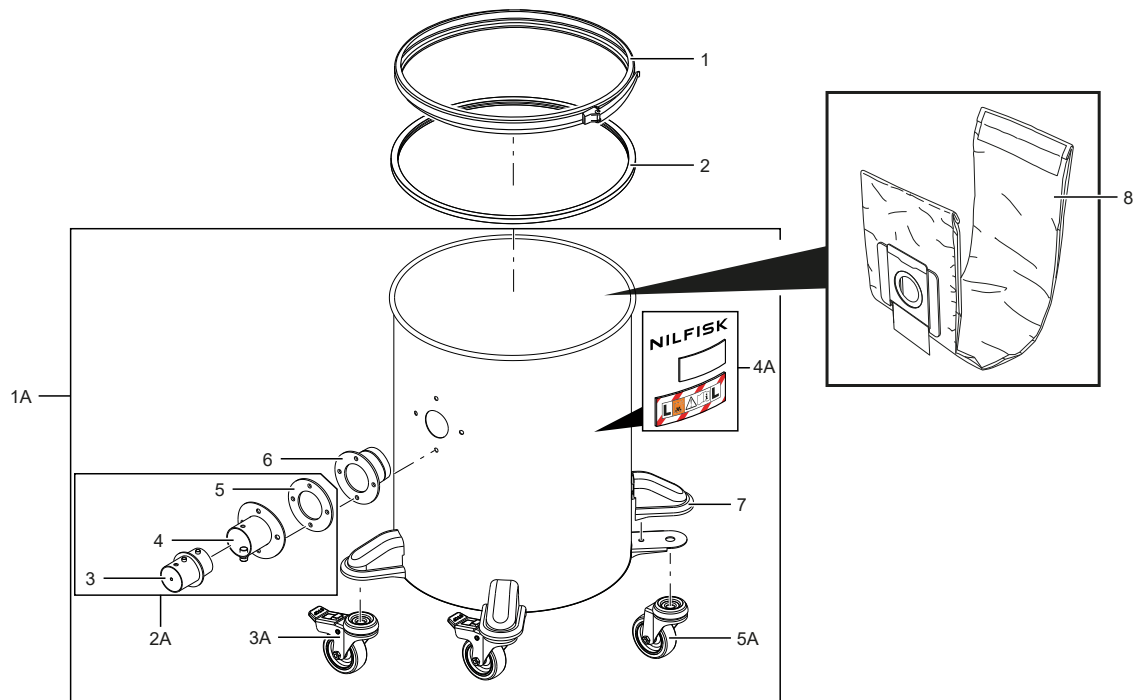


PARTS LIST

2026.02.19

TABLE OF CONTENTS

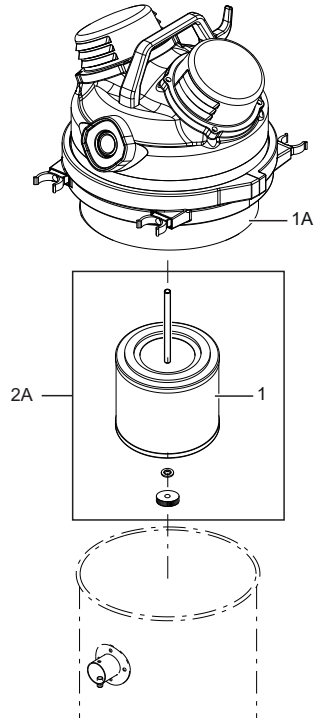
CONTAINER.....1
FILTER.....3
SUCTION UNIT.....5
SUCTION UNIT 2.....7
SUCTION UNIT 3.....9



Pos.	Artikel-Nr.	Menge	Variante	Notes
1	4081801694	1	BAND LOCK D.320 MOD.VHS01XBand lock	
2	80554900	1	SEAL FOR HOLDER SILICONE AUTOCLAVABLED280 seal	
3	4072000463	1	PLUG FOR INLET D40 SS ATEX COMPLETEPlug D40	
4	4083200913	1	INLET FOR ATEX D40 FL.100 X D.280Inlet D40	
5	z8 17005	1	Anschlussdichtung D50D40 inlet seal	
6	4083201015	1	BAG CONNECTION D.60 FLANGE D.80LC Bag Coupling	
6	4083201014	1	SAFE BAG CONNECTION D.50 FLANGE D.80MC/HC Bag Coupling	
7	4081701637	4	WHEELS BUMPER MOD.VHS01XFoot Cover	
8	107419635	1	ATTIX 5 BAG WITH COLLARPaper Bag LC	[1]
8	107419592	5	VLIESFILTERBEUTEL 5 STK. ATTIX 40/50Paper Bag LC	
8	4084001606	1	DUST BAG ANTISTATIC CAT. M D320Safe Bag MC	
8	4089101208	5	5 ANTISTATIC DUST BAG MC KIT D320	
8	4084001573	1	SAFE BAG ANTISTATIC D320 MOD.VHS010Safe Bag HC	
8	4089101209	5	5 ANTISTATIC DUST BAG HC KIT D320	
1A	4089101205	1	CONTAINER COMPLETE KIT VHS010 Z22 LCLC Container complete kit	
1A	4089101206	1	CONTAINER COMPLETE KIT VHS010 Z22 MC/HCMC/HC Container complete kit	
2A	4089101207	1	COMPLETE INLET KIT EXA D40 VHS010 Z22	
3A	4089101161	2	ANT.PIVOTING WHEEL+BRAKE KIT D60 M.VHS01D60 Wheel Kit with Brake	
4A	4089101167	1	LABELS KIT VHS011	
5A	4089101162	2	ANT.PIVOTING WHEEL KIT D60 MOD.VHS01D60 Wheel Kit	

Part Notes:

[1] - REPLACED BY 107419592



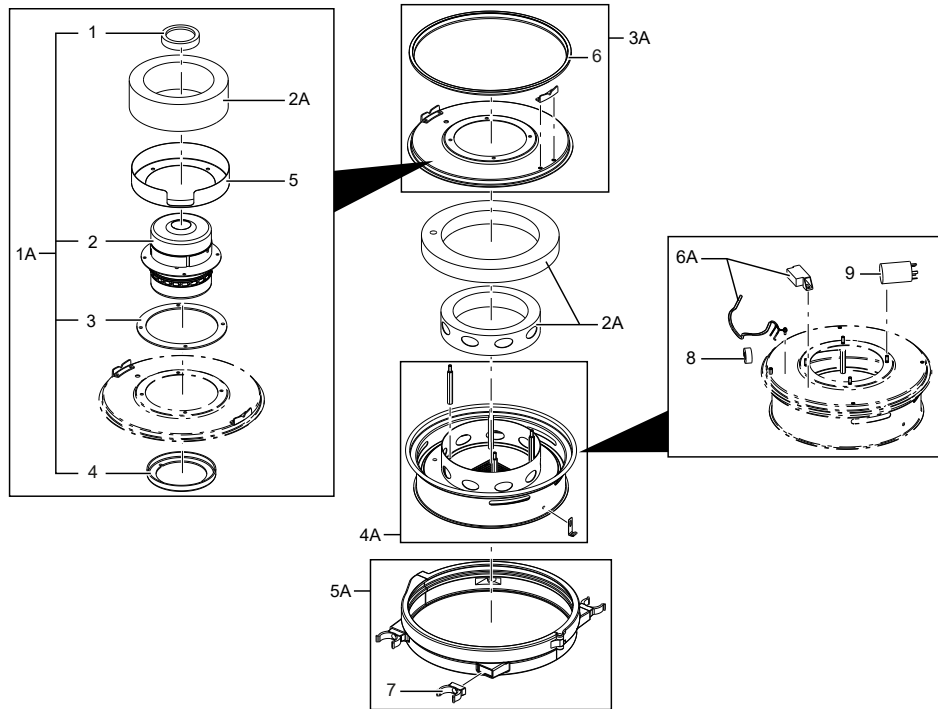
FILTER

VHS010 Z22

2024.08.22

2024.08.22

Pos.	Artikel-Nr.	Menge	Variante	Notes
1	Z8 17262	1	Absolutfilter AD VHW360/3VT H14AU filter	
1A	4089101188	1	COMPLETE HEAD KIT VHS010 Z22 230V	
1A	4089101189	1	COMPLETE HEAD KIT VHS010 Z22 110V	
2A	4056001053	1	SUCTION ARM D50 KIT TPLUS RAL7001 EXAAU filter kit	



SUCTION UNIT

VHS010 Z22

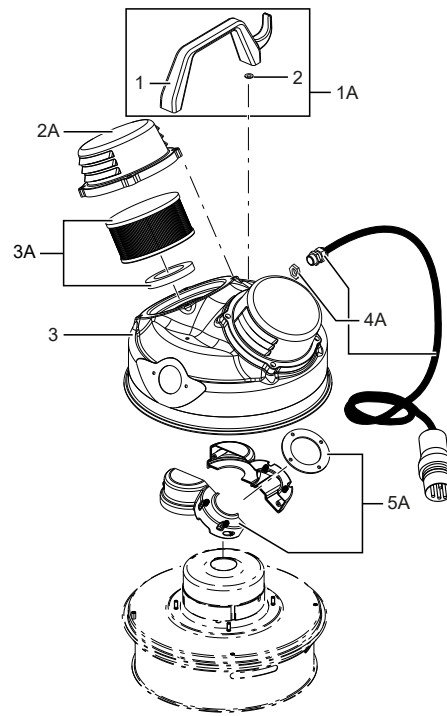
2024.08.22

2024.08.22

Pos.	Artikel-Nr.	Menge	Variante	Notes
1	80555600	1	SEAL FOR EXHAUST FILTER SILICONE AUTOCLMotor head gasket	[1]
2	4085300449	1	BRUSHLESS MOTOR KW1,1 230/110V +WIRE KITMotor	
3	4081701873	1	SEAL FOR MOTOR D.174 MOD.VHS01XGasket	
4	Z8 17325	1	Dichtung Motor D143Motor Gasket	
5	4081601466	1	SOUNDPROOF SUPPORT DISC MOD.VHS01XSoundproof support disk	
6	80554900	2	SEAL FOR HOLDER SILICONE AUTOCLAVABLED280 seal	
7	4081601444	4	FIXING COLLAR ACCESSORIES D40 M.VHS011Accessories holder	
8	4083902122	1	FERRITE CORE X CABLE MOD.VHS01X ATEX Z22Ferrite	
9	4083902121	1	EMC FILTER 16A MOD. VHS01X ATEX Z22Filter interference	
1A	4089101169	1	MOTOR KIT VHS01X ATEX	
2A	4081701865	1	MOTORHEAD SOUNDPROOF KIT MOD.VHS01X ACDSoundproofing Kit	
3A	4089101168	1	MOTOR HOLDER KIT VHS01X	
4A	4089101210	1	MOTOR SUPPORT KIT VHS010	
5A	4089101171	1	CLOSURE RING KIT + COLLARS VHS01X	
6A	4089101172	1	CABLE KITS VHS01X Z22 230V	

Part Notes:

[1] - Old IVAC production products



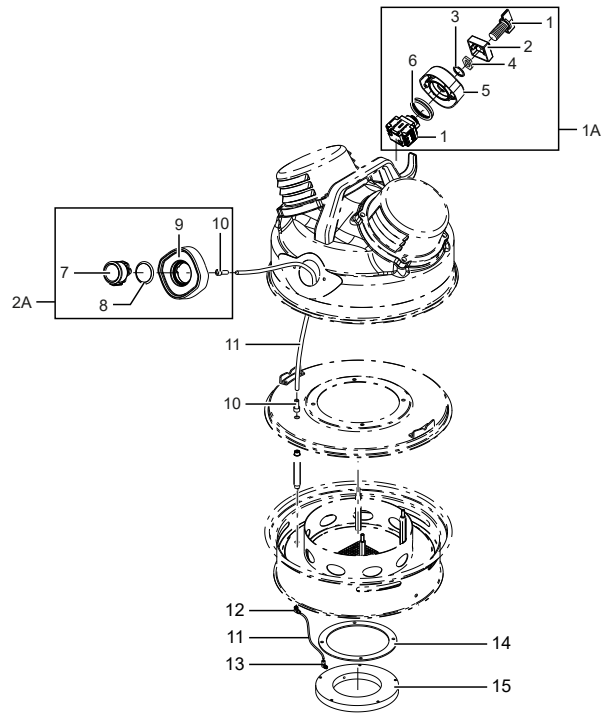
SUCTION UNIT 2

VHS010 Z22

2024.08.22

2024.08.22

Pos.	Artikel-Nr.	Menge	Variante	Notes
1	4081801688	1	HANDLE MOD.VHS01XManiglia	
2	4084001593	2	ANELLO O-RING 8 X 1 VMQ REDO-ring	
3	4081601421	1	COMPLETE COVER MOD.VHS011Top Cover	
1A	4089101173	1	HANDLE KIT VHS01X ATEX	
2A	4089101174	2	FILTER COVER KIT VHS011Filter Cover kit	
3A	4089101175	2	COOLING FILTER KIT VHS01Cooling filter kit	
4A	4089100820	1	KIT CABLE POWER MOD VHS110 V230Power cord Kit	
4A	4089101028	1	KIT POWER CABLE MOD VHS110 V110UK power cord Kit	
5A	4089100824	1	KIT CONVEYER AIR HEAD MOD.VHS110Conveyor kit	



Pos.	Artikel-Nr.	Menge	Variante	Notes
1	4083901742	1	MAIN SWITCH 16A 2P REAR BOX ATEX II2GDMain switch	
2	4081601440	1	ATEX SWITCH PANEL MOD.VHS01XFront panel for switch	
3	4084001289	1	OR NBR 70 19X2O-ring 19x2	
4	Z8 40231	1	Mutter verzinkt 1/2Ring Nut 1/2	
5	4081601439	1	ATEX SWITCH SUPPORT MOD.VHS01XPanel for switch	
6	4081701209	1	SILICON GASKET FOR SWITCH VHS110Main switch seal	
7	4084001360	1	VACUUM GAUGE VHS120Vacuum gauge	
7	Z8 40400	1	Manometer 127/137110V Vacuum gauge	
8	4084001591	2	ANELLO O-RING 4 X 1 VMQ REDO-ring 4x1	
8	4084001592	1	ANELLO O-RING 10 X 1 VMQ REDO-ring 10x1	
8	4084001594	1	ANELLO O-RING 34,65 X 1,78 VMQ REDO-ring 34,65x1,78	
9	4081601441	1	VACUUM GAUGE HOLDER MOD.VHS01XVacuum gauge holder	
10	4084001294	2	QUICK CONNECTION STRAIGHT JOINT D4 1/8 FConnection 1/8 F	
11	4084001295	3	HIGH TEMPERATURE PTFE PIPE 2X4D4 pipe	
12	4084001576	1	"MALE FITTING AIGNEP 1/8""Connection 1/8 M	
13	4084001577	1	MALE FITTING AIGNEP M5Connection M5 M	
14	Z8 17056	1	Dichtung für AnsaugstutzeD100 seal	
15	4081401020	1	PRESSURE TAKE FOR VACUUM GAUGE M.VHS01XVacuum Pressure Gauge	
1A	4089101176	1	MAIN SWITCH KIT VHS011 Z22	
2A	4089101177	1	VACUUM GAUGE KIT VHS01X Z22	

