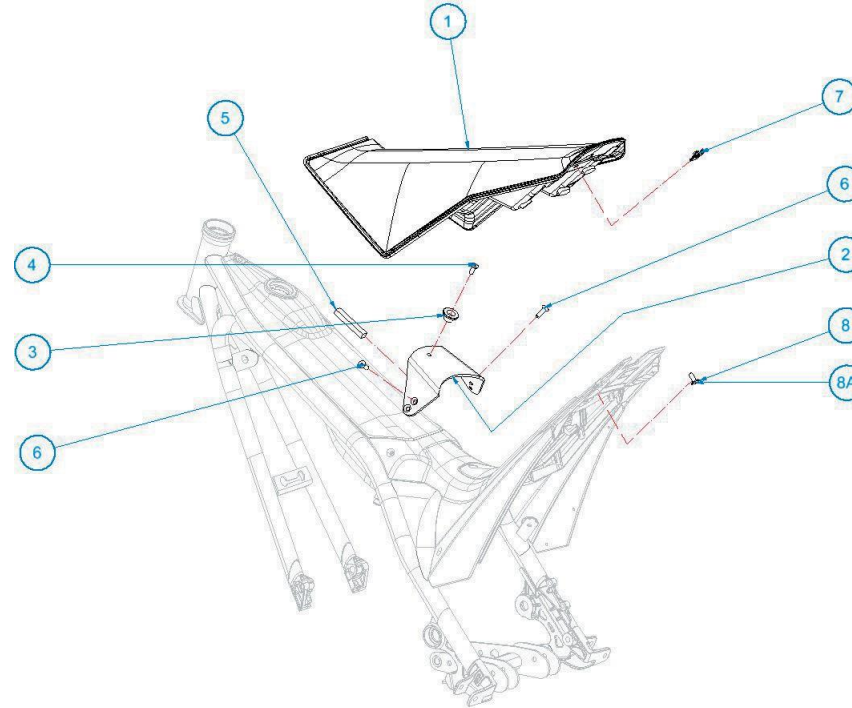
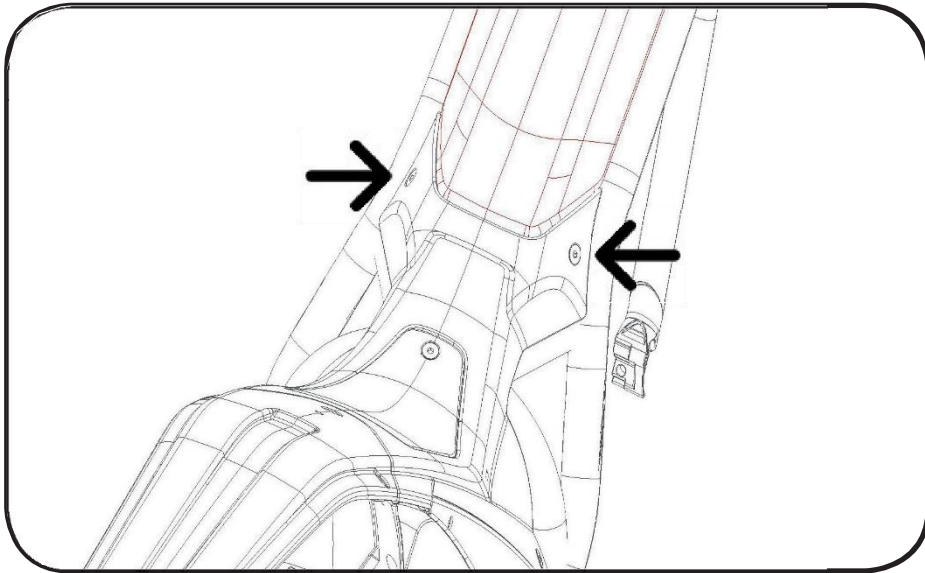
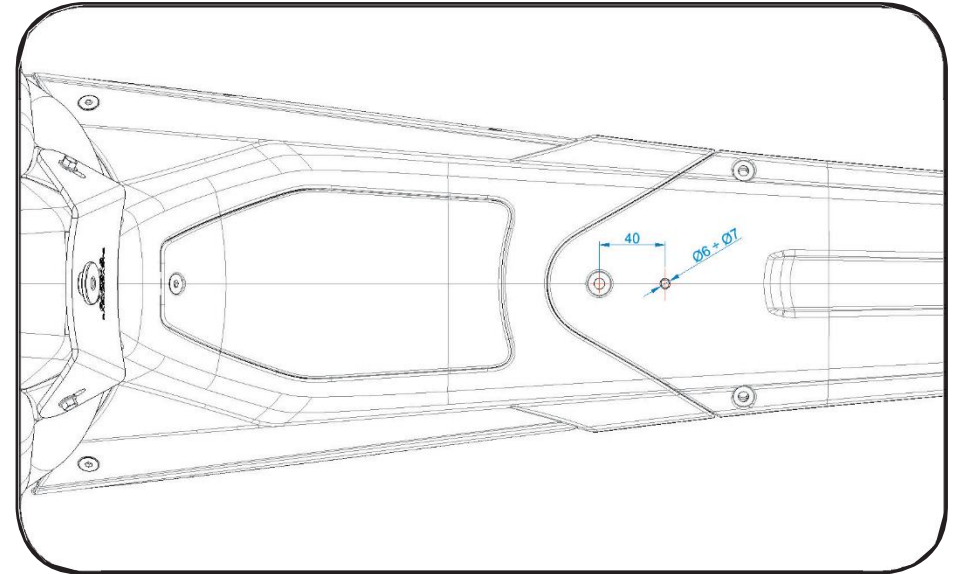
	<h1>RACINGPARTS</h1>
	<h2>RP94000CT2514</h2>
	<h3>SEAT KIT for TXT until 2023MY</h3>



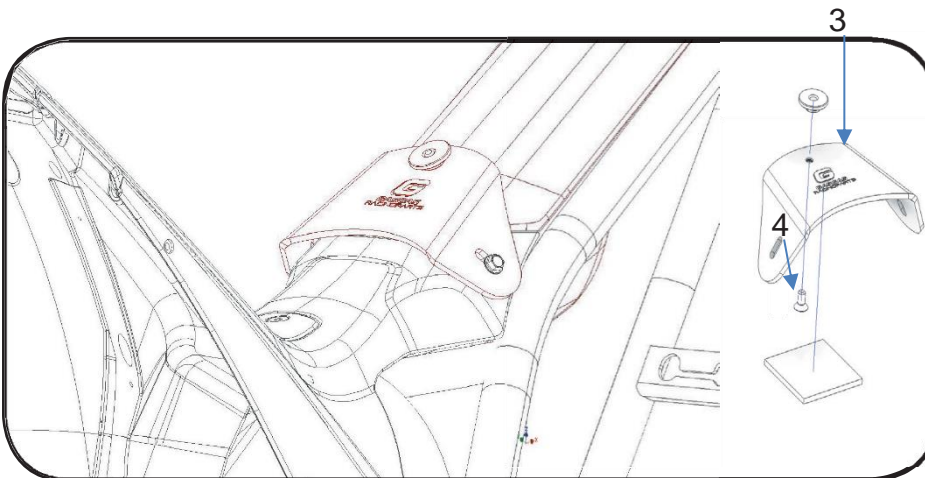
Parts	Qty	Part number	Description
1	1	BPS94000121	SEAT TRIAL
2	1	RP940202514	ALUMINIUM SEAT BRACKET
3	1	RP940802514	BUSH FIXING SEAT
4	1	T0406012	SCREW/BOLT ALLEN CONIC 6X12 12
5	1	RP172102514	DECAL PROT.EPDM 60X60X4
6	2	T0206020	SCREW 6X20 DIN 6921 GEOMET 10.9
7	1	T2606000	CAGE NUT 6MM
8	1	T0406016	SCREW 6X16
8A	1	T4503270	PLASTIC COVER HOLE



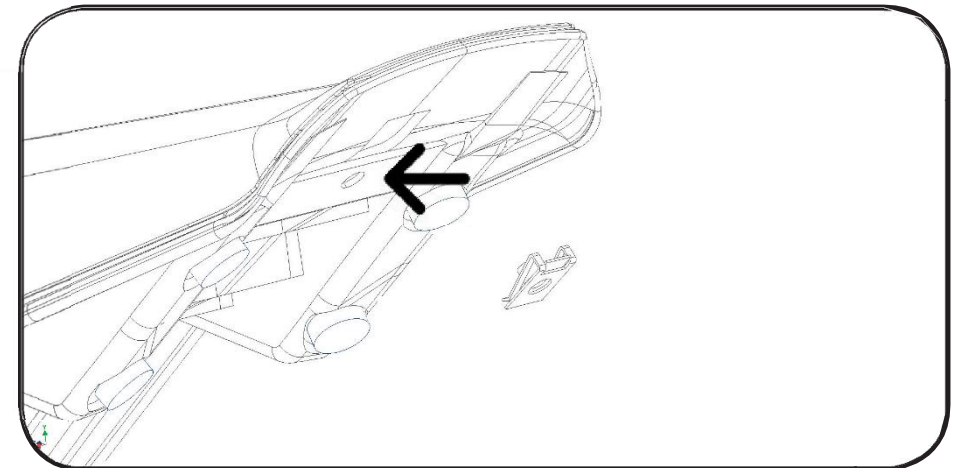
REMOVE BOTH SCREWS FROM THE SEAT BASE



DRILL THE REAR FENDER AT 40 WITH A DRILL AND A 6mm DIAMETER BIT AS INDICATED IN THE ABOVE SKETCH. IT IS VERY IMPORTANT THAT THE HOLE DOES NOT REMAIN INSIDE THE FILTER BOX



MAKE SURE PART Nº3 IS THREADED TOGETHER WITH THE SUPPORT AND SCREW Nº4. PLACE THE PROTECTIVE FOAM AND SCREW TO THE SEAT BASE WITH SCREWS Nº6



PUT THE CLAP ON THE LOWER PART OF THE SEAT. PLACE THE SEAT FROM THE FRONT PART AND FINALLY SCREW THE ENTIRE PACKAGE WITH SCREW