



THE UNITED KINGDOM VEHICLE APPROVAL AUTHORITY

COMMUNICATION CONCERNING THE ~~APPROVAL GRANTED<sup>(4)</sup>~~ APPROVAL EXTENDED<sup>(1)</sup> /  
APPROVAL REFUSED<sup>(4)</sup> / APPROVAL WITHDRAWN<sup>(4)</sup> / PRODUCTION DEFINITELY  
DISCONTINUED<sup>(4)</sup> OF A TYPE OF PROTECTIVE HELMET WITH/WITHOUT<sup>(4)</sup> / ONE/MORE THAN  
~~ONE<sup>(4)</sup>~~ VISOR TYPE(S) PURSUANT TO REGULATION NO. 22.05




Approval No: 22R-050523 /P

Extension No: 01

Reason for extension: To cover

- 1) Change to name and address of the manufacturer
- 2) Update trademarks to be used with this helmet type

1. Trade mark: KTM, VICOTRY, AXO, NERVE, BILTEMA, MTR, ZOZ, AEGIS PROTECTION
2. Type: YK580
3. Sizes: XS(53-54) / S(55-56) / M(57-58) / L(59-60) / XL(61-62) / XXL( 63-64)
4. Manufacturer's name: Zhejiang Aegis Sports Goods Co., Ltd.
5. Address: No.156 East Tingyao Road  
Ganyao Town  
Jiashan  
Zhejiang, 314107  
People's Republic of China
6. If applicable, name of manufacturer's representative: Not applicable
7. Address: Not applicable
8. Brief description of helmet: See enclosures

9. Helmet ~~without lower face cover (J) / with protective lower face cover (P) / with non-protective lower face cover (NP)~~<sup>(1)</sup>
10. Type of visor or visors: V580
11. Brief description of visor or visors: See enclosures
12. Submitted for approval on: As before and 11 April 2017
13. Technical service responsible for conducting approval tests: Omega S.r.l.
14. Date of report issued by that service: As before and 11 April 2017
15. Number of report issued by that service: As before and MAS382493
16. Comments: None
17. Approval ~~GRANTED/EXTENDED/REFUSED/WITHDRAWN~~<sup>(1)</sup>
18. Place: BRISTOL
19. Date: 09 MAY 2017
20. Signature:  D LAWLOR  
Chief Technical and Statutory Operations Officer
21. The following documents, bearing the approval number shown above, are available on request

Any remarks: Approval to Supplement 2

(1) Strike out what does not apply.

Type:

**YK580**

Date : DEC 20TH

Ext. : 01

Page : 0

**R22.05/ECE TYPE-APPROVAL OF PROTECTIVE HELMETS AND THEIR VISORS FOR DRIVERS  
AND PASSENGERS OF MOTORCYCLES AND MOPEDS**

## **CONTENT OF DOCUMENTATION**

*Page Concept:*

---

- 1. General information**
- 2. Description of the helmet**
- 3. Shell**
- 4. Retention system**
- 5. Protective padding**
- 6. Comfort padding**
- 7. Other characteristics**
- 8. Visor**
- 9. Accessories**
- 10. User's manual**
- 11. Annex (Products drawings)**

**General view of the Helmet**

**Drawing of the helmet**

**Drawing of the shell**

**Drawing of the EPS**

**Drawing of the retentions**

<i>Type:</i> <b>YK580</b>	Date : DEC 20TH Ext. : 01 Page : 0
<b>R22.05/ECE TYPE-APPROVAL OF PROTECTIVE HELMETS AND THEIR VISORS FOR DRIVERS AND PASSENGERS OF MOTORCYCLES AND MOPEDS</b>	

## 1. General Information

**Reason for extension 01:** Change address and name of the manufacturer.

Up-date the Trade Marks to be used with this helmet type.

### 1.1 Make:

Zhejiang Aegis Sports Goods Co., Ltd

### 1.2 Type:

YK580

### 1.3 Trade Marks

KTM, VICOTRY, AXO, NERVE, BILTEMA, MTR, ZOZ,  
AEGIS PROTECTION

### 1.4 Variants versions:

.....

### 1.5 Name and address of manufacturer:

Zhejiang Aegis Sports Goods Co., Ltd.  
NO.156 East Tingyao Road , Ganyao Town,  
Jiashan, Zhejiang, China, 314107

### 1.6 Name and address of assembly plant:

Zhejiang Aegis Sports Goods Co., Ltd.  
NO.156 East Tingyao Road , Ganyao Town,  
Jiashan, Zhejiang, China,314107

### 1.7 Location and method of affixing of the international approval mark:

Marked in a label sewn on the retention system chin strap.

Type:

**YK580**

Date : DEC 20TH

Ext. : 01

Page : 0

**R22.05/ECE TYPE-APPROVAL OF PROTECTIVE HELMETS AND THEIR VISORS FOR DRIVERS  
AND PASSENGERS OF MOTORCYCLES AND MOPEDS**

## **2. Description of the helmet**

2.1 Type of helmet:

Integral/~~Modular~~/Jet

2.2 Type of lower face cover:

“P” protective/~~“NP” non-protective~~/“J” none

2.3 Size:

XS(53-54), S(55-56), M(57-58), L(59-60), XL(61-62),

XXL( 63-64)

## **3. Shell**

3.1 Material:

Composite

3.2 Manufacture process:

Molding by air press

3.3 Composition of the border join on the shell:

High density polypropylene

3.4 Ventilation:

3.4.1 Number of ventilation: 5

3.4.2 Positioning on the shell:

on the mouth、 front、 rear of shell

3.5 Drawing of shell: See the Annex.

## **4. Retention system**

4.1 Chin strap:

4.1.1 Material:

Nylon belt

4.1.2 Width: 22mm

Type:

**YK580**

Date : DEC 20TH

Ext. : 01

Page : 0

**R22.05/ECE TYPE-APPROVAL OF PROTECTIVE HELMETS AND THEIR VISORS FOR DRIVERS  
AND PASSENGERS OF MOTORCYCLES AND MOPEDS**

## 4.2 Retention system:

Micrometric Buckle

## 4.3 Comfort padding of the retention system:

4.3.1 Composition: Cloth and leather

4.3.2 Thickness: 3 mm

## 4.4 Anchorage system to the shell:

By a metallic piece fitted to the internal part of the shell by a rivet

## 4.5 Drawing of chin strap: See the Annex

**5. Protective padding**

5.1 Composition: Expanded polystyrene

5.2 Density and weight: See the following form

5.3 Drawing of the EPS: See the Annex.

**6. Comfort Padding**

## 6.1 Composition of :

Comfort padding: Compound sponge

Comfort tissue: Compound cloth

Protection of the nape: Compound sponge

Lateral packing: Compound sponge and EPS

Lower face cover: Leather and EPS

## 6.2 The thickness of Comfort Padding: See the following form.

Density of comfort padding and EPS information form

Size (cm)	Total Weight(g)	Main EPS Weight(g)	Top EPS Weight(g)	Ear EPS(g)
XS (53-54)	1300±50	125	13	19
S (55-56)	1300±50	125	13	19

Type:

**YK580**

Date : DEC 20TH

Ext. : 01

Page : 0

**R22.05/ECE TYPE-APPROVAL OF PROTECTIVE HELMETS AND THEIR VISORS FOR DRIVERS  
AND PASSENGERS OF MOTORCYCLES AND MOPEDS**

<b>M (57-58)</b>	<b>1300±50</b>	<b>125</b>	<b>13</b>	<b>19</b>
<b>L (59-60)</b>	<b>1350±50</b>	<b>135</b>	<b>15</b>	<b>19</b>
<b>XL (61-62)</b>	<b>1350±50</b>	<b>135</b>	<b>15</b>	<b>19</b>
<b>XXL(63-64)</b>	<b>1350±50</b>	<b>135</b>	<b>15</b>	<b>19</b>

## 7. Other Characteristics

### a) Markings :

#### 7.1.1 Location of :

Make: on rear of outer shell

Weight: Rear of outer shell

Model: On the rear of shell

Size: On the rear of shell and sewn on the liner

#### 7.2 Indelible Marking:

7.2.1 How it is made: by printing

7.2.2 Place of marking: on the chin strap

## 8. Accessories

### a) VISOR TYPE: V580

## 9.Information for users

9.1.1 Text: See page

9.1.2 Location:

Hang-tag on the strap

9.2 Peak: None

Type:

**YK580**

Date : DEC 20TH

Ext. : 01

Page : 0

**R22.05/ECE TYPE-APPROVAL OF PROTECTIVE HELMETS AND THEIR VISORS FOR DRIVERS  
AND PASSENGERS OF MOTORCYCLES AND MOPEDS**

## 10. User's manual

### USER'S MANUAL

Please read the following before using new helmet.

#### **Basic information:**

The helmet is produced according to the newest technology and is specifically designed for motorcyclist. Using a helmet does not exclude all the possibility of injury, in some instances impact may be too high to protect the user effectively from fatal head injuries.

#### **Instructions for use**

1. Visibility: Ensure that the visor is clean and seamless all the while, Never use smoked visor at night or the visibility is poor. Exchange the damaged visor for a genuine replacement immediately.
2. No Modification: Never make any changes to any part of the helmet. Don't make any alterations to the outer shell, don't insert screws and most importantly don't apply paint. Keep us informed if you would like to paint the helmet.
3. Care and Cleaning: When cleaning the shell and interior of the helmet, never use solvents, petrol and other detergents. Only use water and PH balanced soap. Using soap and a small brush to clean the pad and the visor. Leaving the visor to air-dry. Don't expose the visor to any sources of heat.
4. Retention system: The retention system has to be carefully set and locked always.
5. Scarves: Never wear scarves and other headgear underneath the retention system. Ensure that there is no airflow restriction inside the helmet always.
6. Spare parts: Only use the original spare parts for the helmet.
7. Inspections/Replacement: The helmet is designed to absorb the energy of a blow and a collision by destroying some of its components. In case of a further blow, it wouldn't protect you any longer, replace it even through it doesn't show external damages.

#### **Suggestions for purchase**

1. Choosing the size: Choose your own helmet by measuring the circumference of your head with a flexible tape measure.
2. Restriction: Make sure that the helmet doesn't restrict your movements, for example, when turning your head to look behind you.
3. Comfort: Only wear the comfortable helmet and are not suffering from headaches or sickness.
4. Adherence: Make sure the helmet doesn't move around when the retention system is open.
5. Homologation: Make sure the helmet have a sticker which certifies the homologation.





Type:

**YK580**

Date : DEC 20TH

Ext. : 01

Page : 0

**R22.05/ECE TYPE-APPROVAL OF PROTECTIVE HELMETS AND THEIR VISORS FOR DRIVERS  
AND PASSENGERS OF MOTORCYCLES AND MOPEDS**

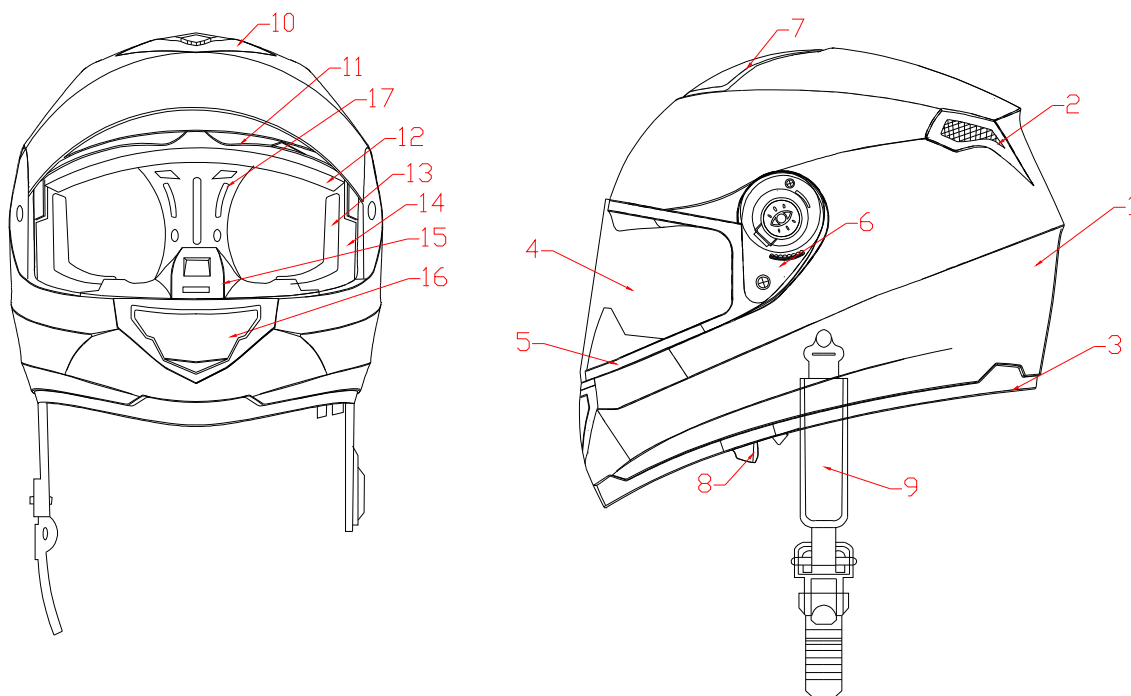
## 11. Annexs

### General view of the Helmet



<b>Type:</b> <b>YK580</b>	Date :	DEC 20TH
	Ext. :	01
	Page :	0
<b>R22.05/ECE TYPE-APPROVAL OF PROTECTIVE HELMETS AND THEIR VISORS FOR DRIVERS AND PASSENGERS OF MOTORCYCLES AND MOPEDS</b>		

### Drawing of the Helmet



1.Shell	10.Top vent	16.Mouth vent	Part NO.	Description	Wangchunfa@aegis-protection.com		
2.Rear vent	11.Sun visor		Name	Full face			
3.Tape	12.Protection padding	17.Comfortable padding	Material	Composite	Drawing	Weight	Scale
4.Visor			Model	YK580			1:1
5. Tape	13.Cheek comfortable padding	Mark	REV	Desc	Approval		
6.Visor Mechanism		Designer	任晓业	Standard			
7.Top vent	14.Cheek protection padding	Reviser	李景然	Technics			
8.Sun visor switch		Exanimate	李儒松				Sheet
9.Chin strap	15.Breath deflector	Approval	王春发	Date	2013/12/20		1/1

Type:

**YK580**

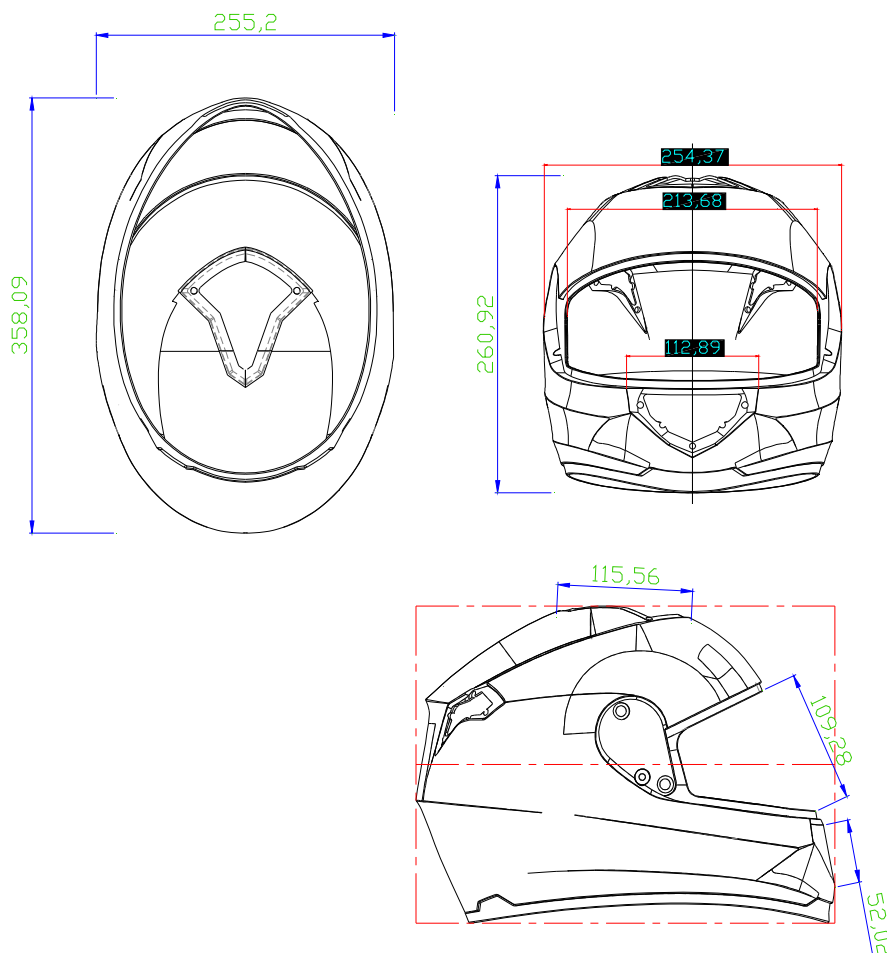
Date : DEC 20TH

Ext. : 01

Page : 0

**R22.05/ECE TYPE-APPROVAL OF PROTECTIVE HELMETS AND THEIR VISORS FOR DRIVERS AND PASSENGERS OF MOTORCYCLES AND MOPEDS**

### Drawing of the Shell



<b>Part NO.</b>	<b>Description</b>	Wangchunfa@aegis-protection.com		
<b>Name</b>	Shell			
<b>Material</b>	Composite	<b>Drawing</b>	<b>Weight</b>	<b>Scale</b>
<b>Model</b>	YK580			1:1
<b>Mark</b>	REV	<b>Desc</b>	<b>Approval</b>	
<b>Designer</b>	任晓业	<b>Standard</b>		
<b>Reviser</b>	李景然	<b>Technics</b>		
<b>Exanimate</b>	李儒松			<b>Sheet</b>
<b>Approval</b>	王春发	<b>Date</b>	2013/12/20	1/1



Type:

**YK580**

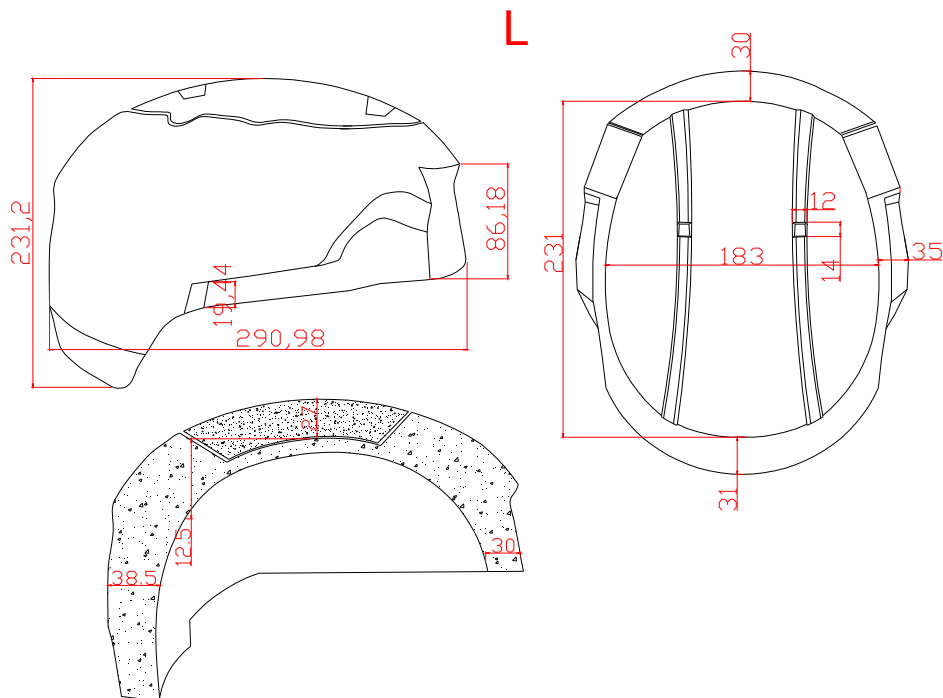
Date : DEC 20TH

Ext. : 01

Page : 0

**R22.05/ECE TYPE-APPROVAL OF PROTECTIVE HELMETS AND THEIR VISORS FOR DRIVERS AND PASSENGERS OF MOTORCYCLES AND MOPEDS**

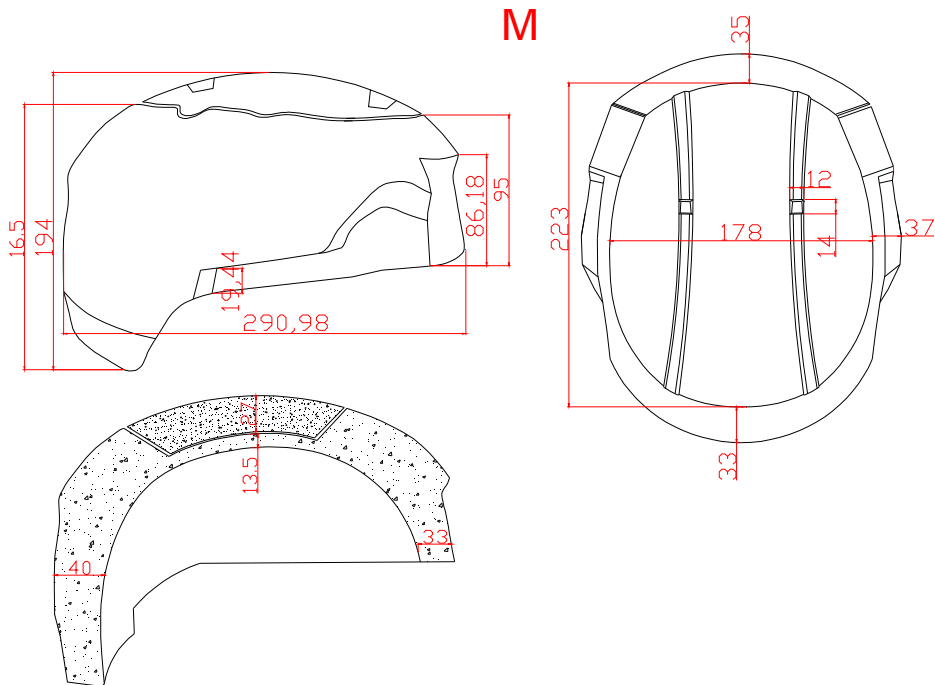
### Drawing of the Protective Padding



<b>Part NO.</b>	<b>Description</b>	Wangchunfa@aegis-protection.com		
<b>Name</b>	Protection Padding (L~XL~XXL)			
<b>Material</b>	EPS	<b>Drawing</b>	<b>Weight</b>	<b>Scale</b>
<b>Model</b>	YK580			1:1
<b>Mark</b>	REV	<b>Desc</b>	<b>Approval</b>	
<b>Designer</b>	任晓业	<b>Standard</b>		
<b>Reviser</b>	李景然	<b>Technics</b>		
<b>Exanimate</b>	李儒松			<b>Sheet</b>
<b>Approval</b>	王春发	<b>Date</b>	2013/12/20	1/1

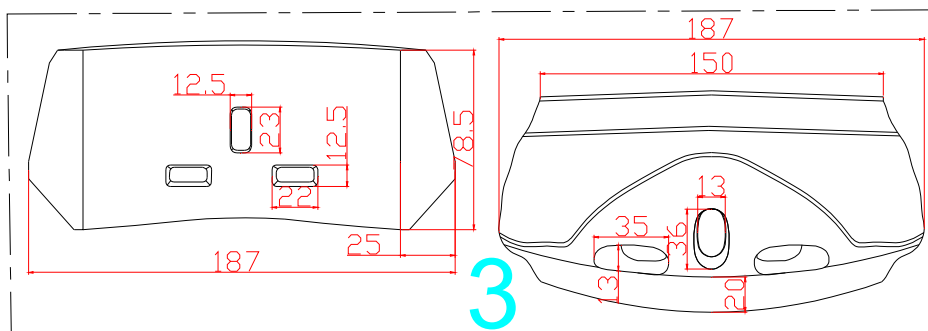
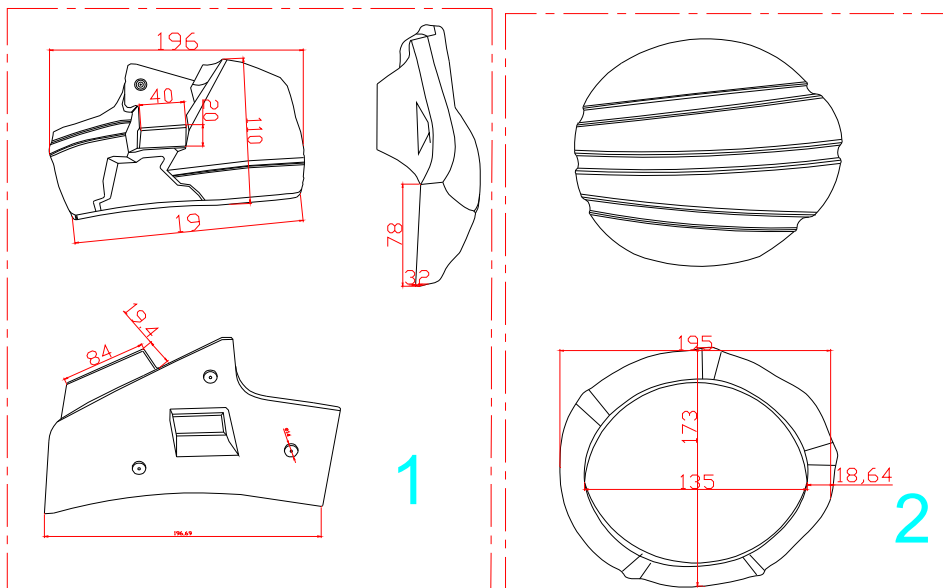


<b>Type:</b> <b>YK580</b>	<b>Date :</b> DEC 20TH
	<b>Ext. :</b> 01
	<b>Page :</b> 0
<b>R22.05/ECE TYPE-APPROVAL OF PROTECTIVE HELMETS AND THEIR VISORS FOR DRIVERS AND PASSENGERS OF MOTORCYCLES AND MOPEDS</b>	



<b>Part NO.</b>	<b>Description</b>	Wangchunfa@aegis-protection.com		
<b>Name</b>	Protection Padding (XS-S-M)			
<b>Material</b>	EPS	<b>Drawing</b>	<b>Weight</b>	<b>Scale</b>
<b>Model</b>	YK580			1:1
<b>Mark</b>	<b>REV</b>	<b>Desc</b>	<b>Approval</b>	
<b>Designer</b>	任晓业	<b>Standard</b>		
<b>Reviser</b>	李景然	<b>Technic</b>		
<b>Exanimate</b>	李儒松			<b>Sheet</b>
<b>Approval</b>	王春发	<b>Date</b>	2013/12/20	1/1

<p>Type: <b>YK580</b></p> <p><b>R22.05/ECE TYPE-APPROVAL OF PROTECTIVE HELMETS AND THEIR VISORS FOR DRIVERS AND PASSENGERS OF MOTORCYCLES AND MOPEDS</b></p>	<p>Date : DEC 20TH</p> <p>Ext. : 01</p> <p>Page : 0</p>
--	---



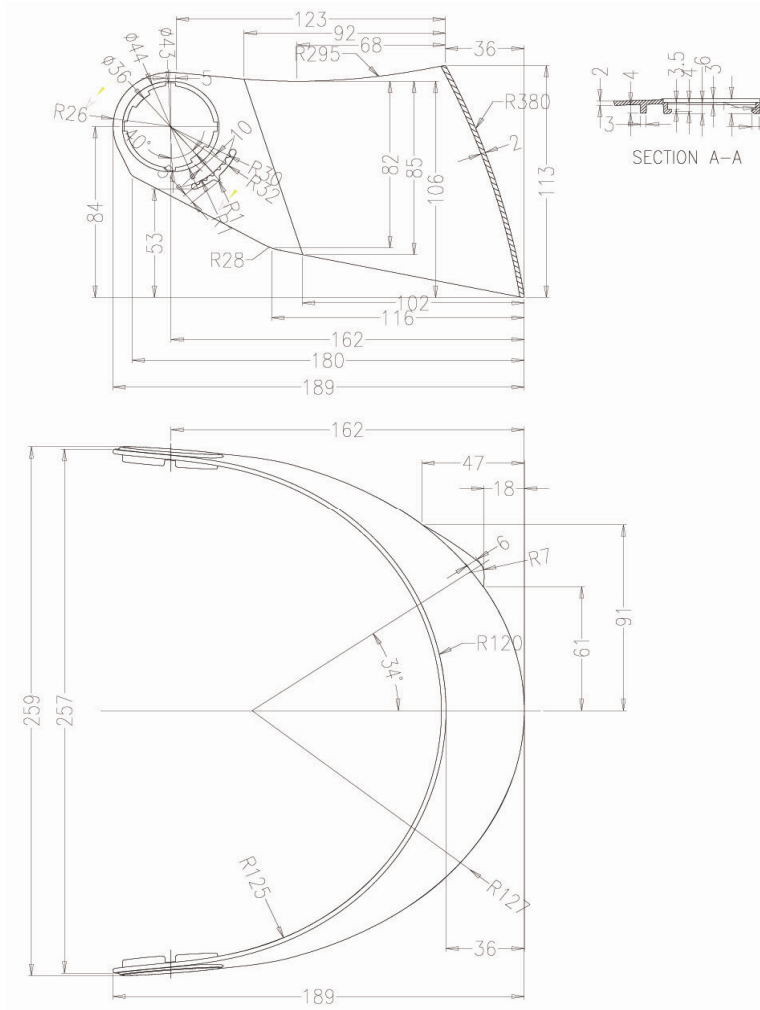
		Part NO.		Description	Wangchunfa@aegis-protection.com		
Part NO.	Description	Name	Protection Padding				
1	Cheek protection padding	Material	EPS	Drawing	Weight	Scale	
		Model	YK580			1:1	
2.	Center Protection padding	Mark	REV	Desc	Approval		
		Designer	任晓业	Standard			
3.	Chin protection padding	Reviser	李景然	Technics			
		Exanimate	李儒松			Sheet	
		Approval	王春发	Date	2013/12/20	1/1	



Type:	Date :	DEC 20TH
YK580	Ext. :	01
	Page :	0

**R22.05/ECE TYPE-APPROVAL OF PROTECTIVE HELMETS AND THEIR VISORS FOR DRIVERS AND PASSENGERS OF MOTORCYCLES AND MOPEDS**

### Drawing of the visor



<b>Part NO.</b>	<b>Description</b>	Wangchunfa@aegis-protection.com		
<b>Name</b>	Visor			
<b>Material</b>	PC	<b>Drawing</b>	<b>Weight</b>	<b>Scale</b>
<b>Model</b>	YK580			1:1

<b>Mark</b>	<b>REV</b>	<b>Desc</b>	<b>Approval</b>	
<b>Designer</b>	任晓业	<b>Standard</b>		
<b>Reviser</b>	李景然	<b>Technic</b>		
<b>Exanimate</b>	李儒松			<b>Sheet</b>
<b>Approval</b>	王春发	<b>Date</b>	2013/12/20	1/1



Type:

**YK580**

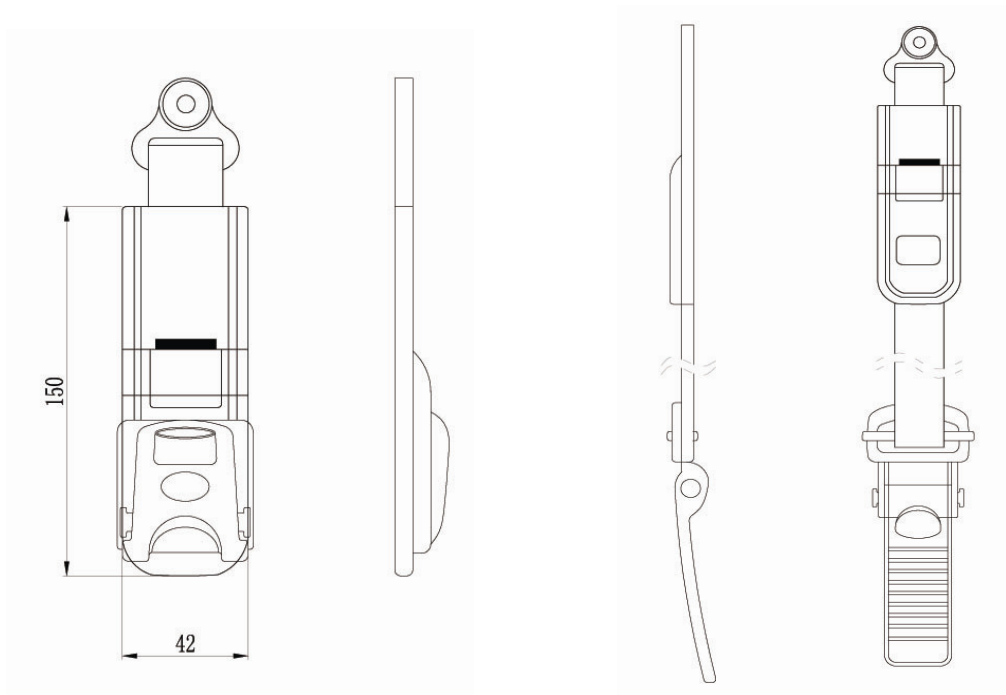
Date : DEC 20TH

Ext. : 01

Page : 0

**R22.05/ECE TYPE-APPROVAL OF PROTECTIVE HELMETS AND THEIR VISORS FOR DRIVERS AND PASSENGERS OF MOTORCYCLES AND MOPEDS**

### Drawing of the Retention System



<b>Part NO.</b>	<b>Description</b>	Wangchunfa@aegis-protection.com		
<b>Name</b>	Chin Strap			
<b>Material</b>	Nylon	<b>Drawing</b>	<b>Weight</b>	<b>Scale</b>
<b>Model</b>	YK580			1:1
<b>Mark</b>	<b>REV</b>	<b>Desc</b>	<b>Approval</b>	
<b>Designer</b>	任晓业	<b>Standard</b>		
<b>Reviser</b>	李景然	<b>Technic</b>		
<b>Exanimate</b>	李儒松			<b>Sheet</b>
<b>Approval</b>	王春发	<b>Date</b>	2013/12/20	1/1

**Zhejiang Aegis Sports Goods Co., Ltd.**





Type:

**YK580**

Date : DEC 20TH

Ext. : 01

Page : 0

**R22.05/ECE TYPE-APPROVAL OF PROTECTIVE HELMETS AND THEIR VISORS FOR DRIVERS  
AND PASSENGERS OF MOTORCYCLES AND MOPEDS**

NO.156 East Tingyao Road , Ganyao Town,

Jiashan, Zhejiang, China, 314107

Tel:86 0573 84515801

Fax:86 0573 84515805

Email: [wangchunfa@aegis-protection.com](mailto:wangchunfa@aegis-protection.com)

Homepage: [www.aegis-protection.com](http://www.aegis-protection.com)

**Signature :**

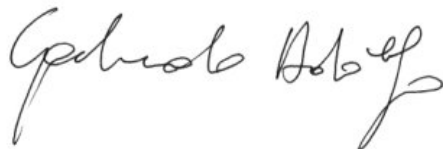
Wang Chunfa

<b>CERTIFICATION TESTING</b> <b>UNECE n°22 Series 05</b> <i>Internal Identification Test: E5HC</i>	
<b>Job Number</b>	<b>MAS382493</b>
<b>Report</b>	Code: YK580 E2205 170411 Ext.01 Date: 11/04/2017
<b>Manufacturer</b>	Name: Zhejiang Aegis Sporting Goods Co.,Ltd Address: NO.156 East Tingyao Road, Ganyao Town, Jiashan, Zhejiang China, 314107
<b>Representative</b>	It does not apply
<b>Sample</b>	Helmet model: YK580 Extension 01 Approval n°: 22R-050523 /P Stickers from: - to n°: - Batch n°: - Arrival date: * Testing date: *

<b>Essential Technical Data</b>	
SIZE RANGE	SEE TECHNICAL DOCUMENTATION
SHELL MATERIAL	
WEIGHT	
RETENTION SYSTEM	
REFLECTIVE BANDS	

Extension required for change of address of manufacturer and to up-date the brands. No testing required.

**Laboratory Technician**  
(Adolfo Garlando)



**Laboratory Manager**  
(Juan Pablo Cuesta)



Job Number: MAS382493

This report concerns only the tested samples and it cannot be partially reproduced without prior written permission from OMEGA s.r.l

M03 rev.1 del 22/12/2015

1 shell Sampling helmets

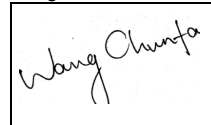
pag.1

COMPANY **AEGIS**

Type **YK 580**

Date of Release: **11/04/2017** VCA Job number : **MAS382493**

Released by: **J.P. Cuesta Ruiz** By the customer : **Wang Chunfa**


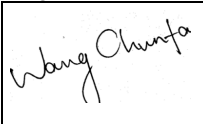



Revised:

TYPE APPROVAL	XS	S	M	L	XL	
Shell	Shell					
EPS	EPS-Small	EPS-Medium	EPS-Large			
Impacts						
Detaching						
Ret. Syst.						
Projections						
Rigidity						
Others						
Other samples requested by OMEGA	2 complete chin strap not assembled on helmets					
<b>TOTAL SAMPLES TO SEND TO OMEGA (including some margin samples)</b>	<b>0</b>	<b>0</b>	<b>0</b>	<b>0</b>	<b>0</b>	<b>0</b>
						<b>GRAND TOTAL</b>

1. SAMPLES WITH THE REFLECTIVE BANDS



<b>COMPANY</b>	AEGIS		
<b>Type</b>	YK 580		
<b>Date of Release:</b>	11/04/2017	<b>VCA Job number :</b>	MAS382493
<b>Released by:</b>	J.P. Cuesta Ruiz	<b>By the customer :</b>	Wang Chunfa
			

Revised:

QUALIFICATION OF PRODUCTION	XS	S	M	L	XL		
Shell	Shell						
EPS	EPS-Small		EPS-Medium	EPS-Large			
Impacts							
Detaching							
Ret. Syst.							
Others							
Keeping sample							
Other samples requested by OMEGA							
							<b>GRAND TOTAL</b>
<b>TOTAL SAMPLES TO SEND TO OMEGA (including some margin samples)</b>	<b>0</b>	<b>0</b>	<b>0</b>	<b>0</b>	<b>0</b>	<b>0</b>	<b>0</b>

- 1. TO BE CONFIRMED AFTER HOMOLOGATION
- 2. SAMPLES WITH THE REFLECTIVE BANDS

**KEEPING SAMPLES** Must be the same as in production, including all labelling and marking



VCA JOB NUMER: MAS382493MANUFACTURER: Zhejiang Aegis Sports Goods Co., LtdTYPE: YK580

The undersigned confirms that the tests conducted under the above job number have been carried out in accordance with the requirements of the specified Regulation/Directive and the Licence between OMEGA S.R.L. and VCA relating to type approval testing.

The undersigned has not been involved in any design nor development work on the products to be approved nor, any related product.

SIGNED:

NAME (in capitals): J.P. CUESTA RUIZDATE: 10<sup>th</sup> April 2017