



CERTIFIKAT O ECE-HOMOLOGACIJI
ECE COMPONENT TYPE-APPROVAL CERTIFICATE

Sporočilo o razširjeni homologaciji za tip vozila glede na tip nadomestnega sistema za dušenje zvoka RESS ali sestavnega dela v skladu s Pravilnikom št. 92 R, Amandma 01, Dodatek 01

Communication concerning approval extended of a vehicle type with regard to a type of RESS or component thereof pursuant to Regulation No. 92 R, Amendment 01, Supplement 01

Homologacijska št.: **E26 92 R 01 8068**
Approval No.:

Razširitev št.: **01**
Extension No.:

1. Blagovno ime ali znamka motocikla:
Trade name or mark of the motorcycle: KTM
2. Tip motocikla:
Motorcycle type: KTM Adventure (e1*168/2013*00031*)
KTM Adventure (e1*2002/24*0596*)
3. Ime in naslov proizvajalca:
Manufacturer's name and address: KTM AG / KTM Motorrad AG /
KTM Sportmotorcycle AG
Stallhofnerstraße 3
A-5230 Mattighofen
Austria
4. Če pride v poštev, ime in naslov
predstavnika proizvajalca:
*If applicable, name and address of
manufacturer's representative:* /
5. Motor
Engine
- 5.1. Proizvajalec:
Manufacturer: KTM AG / KTM Motorrad AG /
KTM Sportmotorcycle AG
- 5.2. Tip:
Type: glej prilogo 2 testnega poročila
17-00005-CM-GBM-01
*see enclosure 2 of the test report
17-00005-CM-GBM-01*
- 5.3. Model:
Model: /

5.4.	Največja nazivna moč: <i>Rated maximum net power:</i>	118 kW / 8750 min ⁻¹ glej prilogo 2 testnega poročila 17-00005-CM-GBM-01 118 kW / 8750 min ⁻¹ see enclosure 2 of the test report 17-00005-CM-GBM-01
5.5.	Vrsta motorja: <i>Kind of engine:</i>	na prisilni vžig <i>positive-ignition</i>
5.6.	Način delovanja: <i>Cycles:</i>	štiritaktni <i>four-stroke</i>
5.7.	Prostornina valja: <i>Cylinder capacity:</i>	glej prilogo 2 testnega poročila 17-00005-CM-GBM-01 see enclosure 2 of the test report 17-00005-CM-GBM-01
6.	Menjalnik <i>Transmission</i>	
6.1.	Vrsta menjalnika: <i>Type of transmission:</i>	ročni menjalnik <i>manual transmission</i>
6.2.	Število prestav: <i>Number of gears:</i>	6 prestav <i>6 gears</i>
7.	Oprema <i>Equipment</i>	
7.1.	Dušilnik zvoka <i>Exhaust silencer</i>	
7.1.1.	Proizvajalec ali pooblaščen zastopnik (če obstaja): <i>Manufacturer or authorized representative (if any):</i>	AKRAPOVIČ D.D.
7.1.2.	Model: <i>Model:</i>	/
7.1.3.	Tip: <i>Type:</i>	M-HAF006
	v skladu s številko risbe: <i>in accordance with drawing No.:</i>	253145-Muffler
7.2.	Dušilnik zvoka na sesalni strani <i>Intake silencer</i>	originalen <i>original</i>
7.2.1.	Proizvajalec ali pooblaščen zastopnik (če obstaja): <i>Manufacturer or authorized representative (if any):</i>	/
7.2.2.	Model: <i>Model:</i>	/

7.2.3. Tip: Type:	/
v skladu s številko risbe: in accordance with drawing No.:	/
8. Uporabljene prestave za izvajanje meritev v vožnji: Gears used for test of motor cycle in motion:	Test series B: 2 in 3 prestava Test series B: 2 nd and 3 rd gear
9. Končno prestavno razmerje(a): Final drive ratio(s):	Test series B: 2,470
10. ECE homologacijska številka pnevmatik(e): ECE type approval number of tyre(s):	ni navedeno no specification
Če ni na voljo, navesti naslednje podatke: If not available, the following information shall be provided:	
10.1. Proizvajalec pnevmatik: Tyre manufacturer:	Continental
10.2. Trgovska oznaka(e) tipa pnevmatik (po oseh), (npr: tovarniška oznaka, hitrostni razred in razred nosilnosti): Commercial description(s) of the type of tyre (by axle), (e.g. trade name, speed index, load index):	1. os: Conti Trail Attack 2 Hitrostni razred: /, Razred nosilnosti: / 2. os: Conti Trail Attack 2 Hitrostni razred: /, Razred nosilnosti: / 1 st axle: Conti Trail Attack 2 Speed index: /, Load index: / 2 nd axle: Conti Trail Attack 2 Speed index: /, Load index: /
10.3. Velikost pnevmatik (po oseh): Tyre size (by axle):	1. os: 120/70 ZR19 2. os: 170/60 ZR17 1 st axle: 120/70 ZR19 2 nd axle: 170/60 ZR17
10.4. Druge homologacijske številke (če so na voljo): Other type approval number (if available):	/
11. Mase Masses	
11.1. Največja tehnično dovoljena masa: Maximum permissible gross weight:	Test series B: 460 kg
11.2. Testna masa: Test mass:	Test series B: masa neobremenjenega vozila plus 75 kg voznik Test series B: unloaded weight plus 75 kg driver
11.3. Indeks razmerja moči in mase (PMR): Power to mass ratio index (PMR):	Test series B: ni podatka Test series B: no specification
12. Dolžina vozila: Vehicle length:	Test series B: ni podatka Test series B: no specification

12.1. Referenčna dolžina l_{ref} : <i>Reference length l_{ref}:</i>		Test series B: ni podatka <i>Test series B: no specification</i>
13. Hitrost vozila pri meritvah v prstavi (i): <i>Vehicle speeds of measurements in gear (i):</i>		Test series B: ne pride v poštev – hrup v vožnji skladno z 97/24 Poglavje 9 <i>Test series B: not applicable - drive by noise according to 97/24 Chapter 9</i>
13.1. Hitrost vozila na začetku pospeševalnega cikla (povprečje 3 pospeševanj) za prestavo (i): <i>Vehicle speed at the beginning of the period of acceleration (average of 3 runs) for gear (i):</i>	/	
13.2. Dolžina pred začetkom pospeševanja za prestavo (i): <i>Pre-acceleration length for gear (i):</i>	/	
13.3. Hitrost vozila v_{pp} (povprečje 3 pospeševanj) za prestavo (i): <i>Vehicle speed v_{pp} (average of 3 runs) for gear (i):</i>	/	
13.4. Hitrost vozila v_{bb} (povprečje 3 pospeševanj) za prestavo (i): <i>Vehicle speed v_{bb} (average of 3 runs) for gear (i):</i>	/	
14. Hitrosti vozila pri meritvah v prestavi (i+1) (če pride v poštev): <i>Vehicle speeds of measurements in gear (i+1) (if applicable):</i>		Test series B: ne pride v poštev – hrup v vožnji skladno z 97/24 Poglavje 9 <i>Test series B: not applicable - drive by noise according to 97/24 Chapter 9</i>
14.1. Hitrost vozila na začetku pospeševalnega cikla (povprečje 3 pospeševanj) za prestavo (i+1): <i>Vehicle speed at the beginning of the period of acceleration (average of 3 runs) for gear (i+1):</i>	/	
14.2. Dolžina pred začetkom pospeševanja za prestavo (i+1): <i>Pre-acceleration length for gear (i+1):</i>	/	
14.3. Hitrost vozila v_{pp} (povprečje 3 pospeševanj) za prestavo (i+1): <i>Vehicle speed v_{pp} (average of 3 runs) for gear (i+1):</i>	/	
14.4. Hitrost vozila v_{bb} (povprečje 3 pospeševanj) za prestavo (i+1): <i>Vehicle speed v_{bb} (average of 3 runs) for gear (i+1):</i>	/	
15. Pospeški so izračunani med linijami AA' in BB'/PP' in BB' <i>Accelerations are calculated between lines AA' and BB'/PP' and BB'</i>		
15.1. Opis delovanja naprav za stabilizacijo pospeševanja (če pride v poštev): <i>Description of functionality of devices used to stabilize the acceleration (if applicable):</i>		ne pride v poštev <i>not applicable</i>

16. Ravni hrupa v vožnji: <i>Noise levels of moving vehicle:</i>	Test series B: 77 dB(A) / 50 km/h hrup v vožnji skladno z 97/24 Poglavlje 9 <i>Test series B: 77 dB(A) / 50 km/h drive by noise according to 97/24 Chapter 9</i>
16.1. Rezultati merjenja pri polnem plinu L_{wot} : <i>Wide-open-throttle test result L_{wot}:</i>	/
16.2. Rezultati merjenja v vožnji L_{crs} : <i>Constant speed test results L_{crs}:</i>	/
16.3. Delni faktor moči k_p : <i>Partial power factor k_p:</i>	/
16.4. Končni rezultat merjenja L_{urban} : <i>Final test result L_{urban}:</i>	/
17. Raven hrupa v mirovanju: <i>Noise level of stationary vehicle:</i>	Test series B: 90 dB(A) / 4375 min ⁻¹ hrup v mirovanju skladno z 97/24 Poglavlje 9 <i>Test series B: 90 dB(A) / 4375 min⁻¹ stationary noise according to 97/24 Chapter 9</i>
17.1. Pozicija in smer mikrofona (skladno z dodatkom 2, Priloga 3, pravilnika ECE 41 R, amandma 04): <i>Position and orientation of microphone (according to Appendix 2 of Annex 3 of 04 series of regulation No. 41):</i>	/
17.2. Rezultat merjenja v mirovanju: <i>Test result for stationary test:</i>	/
18. Dodatne določbe za emisije hrupa: <i>Additional sound emission provisions:</i>	Test series B: ne pride v poštev – hrup v vožnji skladno z 97/24 Poglavlje 9 <i>Test series B: not applicable - drive by noise according to 97/24 Chapter 9</i>
19. Referenčna skladnost podatkov v uporabi: <i>In-use compliance reference data:</i>	Test series B: ne pride v poštev – hrup v vožnji skladno z 97/24 Poglavlje 9 <i>Test series B: not applicable - drive by noise according to 97/24 Chapter 9</i>
19.1. Za meritev izbrana prestava (i) ali, izbrana lega izbirnika prestave, pri vozilih z varibalnim menjalnikom: <i>Gear (i) or, for vehicles tested with non-locked gear ratios, the position of the gear selector chosen for the test:</i>	/
19.2. Dolžina pred začetkom pospeševanja l_{PA} : <i>Pre-acceleration length l_{PA}:</i>	/
19.3. Hitrost vozila na začetku pospeševalnega cikla (povprečje 3 pospeševanj) za prestavo (i): <i>Vehicle speed at the beginning of the period of acceleration (average of 3 runs) for gear (i):</i>	/

- 19.4. Raven zvočnega tlaka $L_{wot(i)}$: /
Sound pressure level $L_{wot(i)}$:
20. Odstopanja v umerjanju merilnika nivoja hrupa: < 0,2 dB(A)
Deviations in calibration of sound level meter:
21. Datum predložitve vozila v postopek homologacije: Test series B: 24.09.2014
Date of submission of vehicle for approval:
22. Tehnična služba odgovorna za homologacijske preskuse: TÜV SÜD Auto Service GmbH
Technical service responsible for Westendstraße 199
conducting approval tests: D-80686 München
Germany
23. Datum poročila o preskusu, ki ga je izdala ta služba: 26.04.2017
Date of test report issued by that Service:
24. Številka poročila o preskusu, ki ga je izdala ta služba: 17-00005-CM-GBM-01
Number of test report issued by that Service:
25. Homologacija: **razširjena**
Approval: **extended**
26. Mesto homologacijske oznake na vozilu: vgravirano z laserjem / tablica
Position of approval mark on the vehicle: pritrjena s kovicami
engraved by laser / plate fixed with rivets
27. Kraj: 1000 LJUBLJANA
Place:
28. Datum: 05.05.2017
Date:
29. Podpis: mag. Tomaž Svetina, univ.dipl.inž.
Signature: vodja sektorja za vozila

30. Temu sporočilu je priložen seznam dokumentov, ki so deponirani pri homologacijskem organu, ki je odobril to homologacijo in jih je na zahtevo mogoče dobiti:
glej kazalo opisne dokumentacije št. E8068 Rev.01
The list of documents deposited with the Administrative Service which has granted approval is annexed to this communication and may be obtained on request:
see index to information package No E8068 Rev.01



Ta homologacija se uporablja za tip serijsko izdelanih neoriginalnih nadomestnih sistemov za dušenje zvoka (RESS) ali njegovih sestavnih delov pod naslednjimi pogoji:

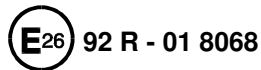
Posamezni proizvodi iz serijske proizvodnje morajo ustrezati najmanj vsem zahtevam Pravilnika št. 92 R, Amandma 01, Dodatek 01, "Enotni pogoji za homologiranje neoriginalnih nadomestnih sistemov za dušenje zvoka (RESS) za motorna kolesa, mopede in trikolesna vozila".

Priloženo poročilo o preskusu in risbe so sestavni del te homologacije.

Vsak sestavni del neoriginalnega nadomestnega sistema za dušenje zvoka, vendar ne deli in cevi za vgradnjo, mora biti čitljivo in trajno označen z:

- znamko (tovarniškim imenom ali oznako proizvajalca),
- trgovskim imenom,
- homologacijsko oznako.

Temu tipu proizvoda se dodeli naslednja homologacijska oznaka:



Homologacijska oznaka na proizvodu mora po izvedbi in velikosti ustrezati zahtevam Pravilnika št. 92 R.01.

S tem homologacijskim znakom so lahko označeni samo tisti proizvodi, ki v celoti ustrezajo homologacijski dokumentaciji.

Homologacijska oznaka na proizvodu mora biti nameščena na mestu, ki je označeno v homologacijski dokumentaciji. Mesto homologacijske oznake mora biti izbrano tako, da je oznaka jasno čitljiva tudi po vgradnji v vozilo.

Proizvod je lahko označen tudi s tujo homologacijsko ali drugo oznako, če s tem ni motena razpoznavnost in čitljivost homologacijske oznake, ki jo je dodelil slovenski homologacijski organ.

Na proizvodu ne sme biti oznak, ki bi lahko privedle do zamenjave z uradno dodeljeno oznako.

Kakršnekoli spremembe na proizvodu so dovoljene samo na podlagi posebnega dovoljenja homologacijskega organa.

Veljavnost homologacije preneha z vrnitvijo ali z odvzemom. Homologacija se odvzame, če pogoji za podelitev in obstoj homologacije ne obstajajo več, če lastnik homologacije krši obveznosti, povezane s homologacijo, oziroma če se ugotovi, da homologirani proizvod ne ustreza več veljavnim predpisom.

Proizvajalec je dolžan stalno kontrolirati kakovost homologiranega proizvoda in njegovo skladnost s homologacijsko dokumentacijo. O tej kontroli je dolžan voditi evidenco in omogočiti vpogled v zapiske nadzornemu organu, ki ga določi homologacijski organ. V primeru ugotovitve neskladnosti s homologacijsko dokumentacijo je proizvajalec dolžan o tem takoj obvestiti homologacijski organ.

Homologacijski organ lahko kadarkoli preverja pravilno izvajanje pooblastil, dodeljenih s to homologacijo, in v ta namen tudi izbira vzorce za ponovni preskus. Stroške takšnih pregledov in presoj skladnosti proizvodnje, se zaračunajo proizvajalcu.

Vsako spremembo oznake proizvajalca, naslova ali proizvodne tovarne oziroma pri homologaciji imenovane pooblaščen osebe je treba takoj sporočiti homologacijskemu organu.

Pravice, podeljene s to homologacijo, so neprenosljive. Pravice tretjih s to homologacijo niso prizadete.

V primerih, da se proizvodnja ali prodaja proizvoda ne začne v roku enega leta od podelitve homologacije, da se proizvodnja ali prodaja prekine za več kot eno leto oziroma, da se predvideva taka prekinitve, je o tem treba takoj obvestiti homologacijski organ.

O začetku proizvodnje ali začetku prodaje oziroma njihovem ponovnem začetku je treba obvestiti homologacijski organ najkasneje v enem mesecu.

Neupoštevanje zgoraj navedenih določil lahko povzroči odvzem homologacije in se kazensko preganja.

Pravno razlago v zvezi s to homologacijo lahko daje samo homologacijski organ.

05.05.2017



mag. Tomaž Svetina, univ.dipl.inž.
vodja sektorja za vozila

This Approval shall apply to a type of non-original replacement exhaust silencing systems (RESS) or its components from serial production under the following conditions:

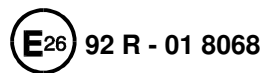
Individual products from serial production shall comply at least with all requirements set out in the Regulation No. 92 R, Amendment 01, Supplement 01 "Uniform provisions concerning the approval of non-original replacement exhaust silencing systems (RESS) for motorcycles, mopeds and three-wheeled vehicles".

The attached test report and drawings shall be a constituent part of this Approval.

Each component of the nonoriginal replacement exhaust silencing system, excluding pipes and fitting accessories, shall be marked with a readable and durable:

- *make (trade name or mark of manufacturer),*
- *commercial name,*
- *approval marking.*

This type of product shall be allotted the following approval marking:



The design and size of the approval marking shall meet the requirements of the Regulation No. 92 R.

Only products which fully comply with the approval documentation may bear the allotted approval mark.

The approval marking on the product must be attached at the place indicated in the approval documentation. Location of the approval marking shall be selected in such way that the marking is clearly readable even when installed on a vehicle.

The product may also be marked with a foreign approval or other marking, provided that the identifiability and readability of the approval marking granted by the Slovenian Type Approval Authority is not affected.

The product shall not bear any markings that may lead to confusion with the officially allotted marking.

Changes of any kind performed on the product shall be subject to special permission by the Slovenian Type Approval Authority.

The Approval will become ineffective when returned or withdrawn. The Approval shall be withdrawn: should the conditions for its granting and existence no longer exist, should the owner of the Approval break his obligations related to the Approval, or when it has been established that the approved product no longer complies with the applicable regulations.

The manufacturer shall regularly inspect the quality of the approved product as well as its conformity with the approval documentation. He shall keep record of this inspection and allow to the surveillance body appointed by the Slovenian Type Approval Authority access to the records. Should any non-conformities be found with respect to the approval documentation, the manufacturer shall immediately inform thereof the Slovenian Type Approval Authority.

Any time, the Slovenian Type Approval Authority may check the correct implementation of the authorizations appointed through this Approval, and for this purpose also select samples for a repeated test. The costs of such checks and conformity of production assessments are charged to the manufacturer.

Any changes regarding the manufacturer's marking, the address or the production plant, or the authorized person appointed through this Approval, shall be forthwith notified to the Slovenian Type Approval Authority.

The rights granted through this Approval shall be untransferrable. The rights of third persons shall not be affected through this Approval.

In the case where the production or sale of the product does not start within one year after the granting of the Approval, or the production or sale is interrupted for a period longer than one year, or such interruption is foreseen, the Slovenian Type Approval Authority shall be immediately notified.

The Slovenian Type Approval Authority shall be notified of the start of production or start of sale, or its restart, within a month's time at the latest.

Non-compliance with above stated provisions may result in withdrawal of the Approval and will be prosecuted.

Legal explanations in relation with this Approval may only be given by the Slovenian Type Approval Authority.

05.05.2017



Tomaž Svetina, M.Sc.Eng.
Head of Vehicle department



KAZALO OPISNE DOKUMENTACIJE e08068
INDEX TO THE INFORMATION PACKAGE e08068
Revision: 01

Homologacijska številka: **e26*134/2014*2016/1824G*08068**
Approval number:

Razširitev številka: **01**
Extension number:

Zgodovina homologacije / Opisne dokumentacije:
Type approval / Information package history:

Razširitev / Revizija: <i>Extension / Revision:</i>	Zadeva: <i>Subject:</i>	Datum izdaje: <i>Date of issue:</i>	Skupno št. strani: <i>Total No. of pages:</i>
00/00	Odobritev homologacije <i>Granting of type approval</i>	20.02.2017	30
01/01	Razširitev področja uporabe <i>Extended field of application</i>	05.05.2017	17

Poročilo o preskusu: **17-00004-CM-GBM-01**
Test report:

Število strani: **12**
Number of pages:

datum izdaje: **26.04.2017**
date of issue:

datum zadnje spremembe: /
date of latest amendment:

Opisni list/Tehnični opis naprave: **M-HAF006**
Information document/Technical description of the device:

Število strani: **2**
Number of pages:

datum izdaje: **14.02.2017**
date of issue:

datum zadnje spremembe: **26.04.2017**
date of latest amendment:

Risba(e)¹:
Drawing(s)¹:

Število strani: **2**
Number of pages:

datum zadnje spremembe: /
date of latest amendment:

Navodila za vgradnjo in uporabo:
Mounting and handling instructions:

Število strani: **0**
Number of pages:

datum zadnje spremembe: /
date of latest amendment:

Ostala dokumentacija:
Other documentation:

Število strani: **1**
Number of pages:



¹ kosovnice, slike, sheme in diagrami / ¹ bill of materials, pictures, schematics and diagrams



Akrapovič d.d.
Malo Hudo 8A
1295 Ivančna Gorica

**SLOVENIAN TRAFFIC SAFETY AGENCY,
KOTNIKOVA ULICA 19a,
1000 LJUBLJANA,
SLOVENIA**

We, Akrapovič d.d., Malo Hudo 8a. 1295 Ivančna Gorica, Slovenia hereby ask STSA to grant **an extension** to an approval against **e26*134/2014*2016/1824G*08068*00** for the following product:

Exhaust system for Motorcycles - muffler:

Type: **M-HAF006**

Version: **M-HAF006 02T (SS / Ti / Ca)**
M-HAF006 02SS (SS / SS / Ca)
M-HAF006 05T (Ti / Ti / Ca)
M-HAF006 05SS (Ti / SS / Ca)
M-HAF006 06T (Ti / Ti / Ti)
M-HAF006 06SS (Ti / SS / Ti)

Manufacturer: **Akrapovič d.d.**
Malo Hudo 8a
1295 Ivančna Gorica
Slovenia



We declare that we have not applied to any other Approval Authority in the EU Member States for this approval.

We have requested **TÜV SÜD Auto Service GmbH**, to carry out all testing required by the directive and/or regulation that the approval is sought against and to present the entire documentation for the approval.

Yours sincerely,

Akrapovič d.d.
Uroš Rosa, CEO

Date: 26.04.2017

AKRAPOVIČ .d.d.
Malo Hudo 8a, 1295 Ivančna Gorica,
Slovenija

Techn.Bericht Nr. / *Techn. Report No.*: 17-00004-CM-GBM-01

Hersteller / *Manufacturer*: Akrapovic, Malo Hudo 8a, 1295 Ivančna Gorica, Slovenija

Typ / *Type*: M-HAF006

Seite / *Page* 1/7

PRÜFBERICHT TEST REPORT

Nr. / *no.* 17-00004-CM-GBM-01

über die Prüfung zur Bauartgenehmigung einer Nicht-Originalauspuffanlage oder
von Einzelteilen hiervon als selbstständige technische Einheit für Krafträder.

*about a test regarding a component type-approval for non-original exhaust system or
components thereof, as a technical unit for motorcycles*

Verordnung / <i>Regulation</i>	(EU) 134/2014	vom / <i>dated</i> 16.12.2013
zuletzt geändert / <i>last amended</i>	(EU) 2016/1824	vom / <i>dated</i> 14.07.2016
Kodierung / <i>Codification</i>	G	

zur Ergänzung der Verordnung (EU) Nr. 168/2013 des Europäischen Parlaments und des Rates.
supplementing Regulation (EU) 168/2013 of the European Parliament and the Council.

Genehmigungsstand / <i>Approval status</i>	
<input type="checkbox"/>	Erteilung einer Typgenehmigung <i>Granting of a type approval</i>
<input checked="" type="checkbox"/>	Nachtrag/Änderung zur Typgenehmigung Nr. e26*134/2014*2016/1824G*08068*00 <i>Extension/correction to type approval no.</i>

Gründe der Erweiterung / *Reasons for extension*

Es wird geändert: -
It will be changed: -

Es wird aktualisiert: der Verwendungsbereich wird erweitert
It will be updated: *the application list will be extended*

Techn.Bericht Nr. / *Techn. Report No.*: 17-00004-CM-GBM-01

Hersteller / *Manufacturer*: Akrapovic, Malo Hudo 8a, 1295 Ivančna Gorica, Slovenija

Typ / *Type*: M-HAF006

Seite / *Page* 2/7

0. Allgemeine Angaben / *General information*

0.1. Fabrikmarke / *Make*: Akrapovic Exhaust System Technology

0.2. Typ / *Type*: M-HAF006

0.2.1. Ausführungen / *Variants*

Ausführungen / <i>Variants</i>	Material / <i>Material</i>		
	Rohre / <i>Tubes</i>	Außenmantel / <i>Sleeve</i>	Endkappe / <i>End cap</i>
M-HAF006 02T	VA / <i>Stainless steel</i>	Titan / <i>Titanium</i>	Karbon / <i>Carbon</i>
M-HAF006 02SS	VA / <i>Stainless steel</i>	VA / <i>Stainless steel</i>	Karbon / <i>Carbon</i>
M-HAF006 05T	Titan / <i>Titanium</i>	Titan / <i>Titanium</i>	Karbon / <i>Carbon</i>
M-HAF006 05SS	Titan / <i>Titanium</i>	VA / <i>Stainless steel</i>	Karbon / <i>Carbon</i>
M-HAF006 06T	Titan / <i>Titanium</i>	Titan / <i>Titanium</i>	Titan / <i>Titanium</i>
M-HAF006 06SS	Titan / <i>Titanium</i>	VA / <i>Stainless steel</i>	Titan / <i>Titanium</i>

Die Ausführungen unterscheiden sich in der Verwendung verschiedener Werkstoffe. Der konstruktive Aufbau ist gleich. Das akustische Verhalten ist gleichwertig.

The variants vary because different materials are used. The basic construction remains the same. The acoustic behaviour is similar.

Techn.Bericht Nr. / *Techn. Report No.*: 17-00004-CM-GBM-01

Hersteller / *Manufacturer*: Akrapovic, Malo Hudo 8a, 1295 Ivancna Gorica, Slovenija

Typ / *Type*: M-HAF006

Seite / *Page* 3/7

- 0.3. Name und Anschrift des Herstellers /
Name and address of manufacturer: Akrapovic d.d.
Malo Hudo 8a
1295 Ivancna Gorica
Slovenija
- 0.4. Name und Anschrift des Beauftragten /
Name and address of authorized agent: entfällt / *n.a.*
- 0.5. Nr. des Beschreibungsbogens /
No. of information document: M-HAF006
Ausgabedatum / *Date*: 26.04.2017
- 1.0. Klasse der Fahrzeuge, für die die
Anlage bestimmt ist / *Class of the
vehicles the unit is used for*: L3e
- 1.1. Beschreibung der Fahrzeuge, für
die die Einrichtung bestimmt ist /
*Description of the vehicles
the unit is used for*: siehe Anlage 2 / *notice enclosure 2*

2. Angaben zum Prüfobjekt / *Composition of the separate technical unit*

- 2.1. Art der Technischen Einheit:
Kind of technical unit: Siehe Anlage Technische Dokumentation
See Enclosure, Technical documentation
- 2.2. Ort der Kennzeichnung/
Place of marking: Lasergravur auf Endkappe / Typschild aufgenietet
Engraved by laser / plate fixed with rivets
- 2.3. Zusammenbau Anlage bei der Prüfung/
assembly of the exhaust system for testing
(Teile lfd. Nr. lt. Anl. 1 /
no. of parts, enclosure 1): siehe 3.4 / *notice 3.4*
- 2.4. Lage und Richtung der Auspuffmündung:
Position and direction of the tail pipe: rechts seitlich nach hinten
at the right side to the rear
- 2.5. Prüfmuster eingegangen am:
Test samples submitted for testing at: 24.09.2014

Techn.Bericht Nr. / *Techn. Report No.*: 17-00004-CM-GBM-01
Hersteller / *Manufacturer*: Akrapovic, Malo Hudo 8a, 1295 Ivančna Gorica, Slovenija

Typ / *Type*: M-HAF006

Seite / *Page* 4/7

3. Prüfprotokoll / *Test report*

Versuchsreihe B / *Tests series B*

3.1. Fahrzeug lfd. Nr. 10) / *Vehicle no. 10)*

- 3.1.1. Typ / *Type*: KTM Adventure
 3.1.1.1 Variante / Version / *Variant / Version*: D2 / -
 3.1.1.2 Fahrzeugkategorie / *Category*: L3e
 3.1.1.3 Handelsbezeichnung / *Model*: KTM 1290 Super Adventure
 3.1.2. Hersteller / *Manufacturer*: KTM Motorrad AG
 3.1.3. Genehmigungs-Nr. / *Homologation no.*: e1*2002/24*0596*
 3.1.3.1 Nachtrag bzw. Erweiterung / *Extension*: 02
 3.1.4. Fahrzeugidentifizierungsnummer / *Vehicle identification no.*: VBKV19405FM904542
 3.1.5. Baujahr / *Year of manufacture*: 2014
 3.1.6. km-Stand / *Kilometers*: 1854
 3.1.7. Zul. Gesamtgewicht / *total weight*: 460 kg

3.2. Antriebsmaschine / *Engine*

- 3.2.1. Hersteller / *Manufacturer*: KTM Sportmotorcycle AG
 3.2.2. Typ / *Type*: 604
 3.2.3. Hubraum / *Engine capacity*: 1301 cm³
 3.2.4. Höchstleistung / *engine net power*: 118 kW bei / *at* 8750 min⁻¹
 3.2.5. max. Drehmoment / *net torque*: 140 Nm bei / *at* 6750 min⁻¹

3.3. Kraftübertragung / *Transmission*

- 3.3.1. Art der Kraftübertragung / *Kind of transmission*: mechanisch / *mechanical*
 3.3.4. Getriebe / *Gearbox*: manuel / *manual*
 3.3.5. Übersetzungsverhältnisse / *Transmission ratios*:
 primär / *primary* / sekundär / *secondary* 1,900 / 2,470
 Höchstgeschwindigkeit / *Top speed*: 250 km/h
 Reifen / *Tires*:
 vorne / *front* Continental Conti Trail Attack 2
 120/70 ZR19
 hinten / *rear* 170/60 ZR17

3.4. Zusammenbau der Auspuffanlage / *Assembly of the exhaust system*

- (Teile lfd. Nr. lt. Anl. 1 / *no. of parts, enclosure 1*)
 Versuchsreihe B / *Tests series B*: 1)2)

Techn.Bericht Nr. / *Techn. Report No.*: 17-00004-CM-GBM-01

Hersteller / *Manufacturer*: Akrapovic, Malo Hudo 8a, 1295 Ivančna Gorica, Slovenija

Typ / *Type*: M-HAF006

Seite / *Page* 5/7

3.5. Messung der Geräuschwerte / *Acoustic measurements*

3.5.1. Hersteller des Messgerätes /

Manufacturer of the sound level meter:

Versuchsreihe B
Tests series B

Brüel & Kjaer

3.5.2. Typ des Messgerätes /

Type of the sound level meter:

Versuchsreihe B
Tests series B

2236

3.5.3. Fahrgeräusch, Standgeräusch /

Drive by noise, stationary noise:

Versuchsreihe B
Tests series B

nach 97/24 Kapitel 9
according 97/24 Chapter 9

3.5.4. Beladungszustand bei der Fahrgeräuschmessung /

Load condition during drive by test:

Leergewicht zuzüglich 75 kg Fahrer /
Unloaded weight plus 75 kg driver

3.5.5. Abweichung bei Kalibrierung /

Deviation at calibration:

< 0.2 dB(A)

3.6. Messung der Leistung / *Power measurement*

3.6.1. Messung der Leistungskurve mit Nicht-Originalauspuffanlage /

Testing of max. power with non-original exhaust system:

Die gemessene Nennleistung und die zugehörige Drehzahl liegen im Toleranzbereich von $\pm 5\%$ im Vergleich zu den mit der Originalauspuffanlage gemessenen Werten. (siehe Anlage) /

The tested max. power and the engine speed are in the $\pm 5\%$ tolerance in comparison with the original exhaust system. (see enclosure)

3.6.2. Messung der Höchstgeschwindigkeit mit Nicht-Originalauspuffanlage/

Testing of top speed with non-original exhaust system:

Entfällt, da Fahrzeugklasse: L3e
Not applicable, because vehicle category: L3e

3.7. Konditionierung der Auspuffschalldämpferanlage / *Conditioning*

durch Druckschwingungen / *by pulsation*

Techn.Bericht Nr. / *Techn. Report No.*: 17-00004-CM-GBM-01
 Hersteller / *Manufacturer*: Akrapovic, Malo Hudo 8a, 1295 Ivančna Gorica, Slovenija

Typ / *Type*: M-HAF006

Seite / *Page* 6/7

3.8. Messung der Schadstoffemissionen / *Pollution Test*

Auf eine Messung des Abgasverhaltens konnte verzichtet werden, da der original Katalysator unverändert im Abgassystem verbleibt. Eine Verschlechterung des Abgasverhaltens ist nicht zu erwarten.

The Pollution test was not necessary because the original catalytic converter remains without any changes in the exhaust system. A degradation of catalyst efficiency is not expected.

3.9. Ergebnisse / *Test results*

Die Ergebnisse der Prüfungen hinsichtlich / *The results of*

- 3.9.1. Geräusche / *Noise testing*
- 3.9.2. Leistung / *Power measurement*
- 3.9.3. Höchstgeschwindigkeit / *Top speed*
- 3.9.4. Abgasverhalten / *Pollution test*

sind der als Anlage beigefügten Tabellen zu entnehmen /
are attached in the enclosure.

Aufgrund der Messung mit dem/n o.g. Fahrzeug/en können auch die in Anlage 2 aufgeführten Krafräder die die gleiche Serien- Auspuffanlage besitzen und gleiche bzw. geringere Motorleistung haben, mit in den Verwendungsbereich aufgenommen werden/

All motorcycles with the same serial exhaust system and same or less performance mentioned in enclosure 2, can be taken into the field of application due to the measurement with the above named motorcycle/s.

- 3.9.5. Die beschriebene Nicht-Originalauspuffanlage / Technische Einheit darf an den in der Anlage 2 aufgeführten Kraftfahrzeugen unter den dort genannten Bedingungen verwendet werden. /

The described non-original exhaust system / technical unit is suitable for an application at the vehicles listed in enclosure 2.

- 3.9.6. Die allgemeinen Spezifikationen gemäß (EU)134/2014; Anhang IX; Anlage 2; Abschnitt 3.5.1. werden durch die Nicht-Originalauspuffanlage als technische Einheit erfüllt. /

The general specifications regarding (EU)134/2014; Annex IX; Appendix 2; Clause 3.5.1. are fulfilled by the non-original exhaust system as technical unit.

Techn.Bericht Nr. / *Techn. Report No.*: 17-00004-CM-GBM-01
Hersteller / *Manufacturer*: Akrapovic, Malo Hudo 8a, 1295 Ivančna Gorica, Slovenija

Typ / *Type*: M-HAF006

Seite / *Page* 7/7

4. Anlagen / *Enclosures*

Anlage 1, Teile der Nicht-Originalauspuffanlage
Enclosure 1, Composition of the non original exhaust system
Anlage 2, Verwendungsbereich
Enclosure 2, Field of application
Anlage 3, Ergebnis der Prüfungen
Enclosure 3, Test results
Anlage, Leistungskurve
Enclosure, Performance diagram
Anlage, Protokoll Geräuschmessung
Enclosure, protocol noise test
Beschreibungsbogen
Information Document

5. Schlussbescheinigung / *Summary*

Der angegebene Beschreibungsbogen und der darin beschriebene Typ entsprechen der genannten Prüfgrundlage. Der ungünstigste Fall wurde entsprechend Prozessbeschreibung „Erstellung von Gutachten“ bestimmt.

Der Prüfbericht darf nur vom Auftraggeber und nur in vollem Wortlaut vervielfältigt und weitergegeben werden. Eine auszugsweise Vervielfältigung und Veröffentlichung des Prüfberichtes ist nur nach schriftlicher Genehmigung des Prüflaboratoriums zulässig
The information folder and the type described therein are in compliance with the test specification mentioned above. The worst-case was selected in accordance with document "Preparation of Test Reports".

The test report may be reproduced and published in full and by the client only. It can be reproduced partially with the written permission of the test laboratory only.

Genehmigungsbehörde / <i>Approval authority</i>	Land / <i>Country</i>	Registriernummer / <i>Registration-number</i>	Aktueller Benennungsumfang / <i>Actual scope list</i>
Kraftfahrt-Bundesamt (KBA)	Deutschland/ <i>Germany</i>	KBA-P 00100-10	www.kba.de
Vehicle Certification Agency (VCA)	Vereinigtes Königreich/ <i>United Kingdom</i>	VCA-TS-006	http://ec.europa.eu/enterprise/sectors/automotive/approval-authorities-technical-services/technical-services/index_en.htm
Approval Authority of the Netherlands (RDW)	Niederlande/ <i>The Netherlands</i>	RDWT-082-01	
National Standards Authority of Ireland (NSAI)	Irland/ <i>Ireland</i>	Technical Service Number: 49	
Vehicle Safety Certification Center (VSCC)	Taiwan/ <i>Taiwan</i>	DE04-06-2	http://www.vsc.org.tw/English/Default.aspx

München, 26.04.2017



Dipl.-Ing. (FH) Max Höhler
Prüfingenieur / *The Expert*

Y:\KRAD KOMPONENTEN\Auspuffanlage\Akrapovic\2017\KTM Adventure 1050 1090 1190 1290 (M-HAF006 ext01)\1824\M-HAF006_SLO_1824 ext01.docx





ANLAGE 1
ENCLOSURE 1

zum Prüfbericht Nr. / to test report no.
Typ / Type:
Hersteller / Manufacturer:

17-00004-CM-GBM-01
M-HAF006
Akrapovic, Malo Hudo 8a
1295 Ivančna Gorica, Slovenija

Teile der Nicht-Originalauspuffanlage + Originalteile/
Composition of the original exhaust system + original parts

Seite / Page 1/1

Lfd. Nr. / No.	Einzelteile, Abmessungen in mm / <i>Components parts, dimensions in mm</i>	Abmessungen des Teiles in mm bzw. Originalteil / Ersatzteil / <i>Dimensions of the part in mm or original part / replacement part</i>	Teilenummer bzw. Genehmigungsnummer / <i>Part no. or homologation no.</i>
1)	Krümmerröhre mit Katalysator/ <i>header pipes with catalytic converter</i>	Originalteile / <i>original parts</i>	-
2)	Schalldämpfer / <i>silencer</i> (2 x Austrittsrohr / <i>2 x outlet pipe</i> Ø 28)	hexagonal / <i>hexagonal</i> 117 x 187 Länge ohne Endkappen / <i>length without end caps</i> 430	M-HAF006 e26*08068*G E26 92R 01 8068





ANLAGE 2
ENCLOSURE 2

zum Prüfbericht Nr. / to test report no.
Typ / Type:
Hersteller / Manufacturer:

17-00004-CM-GBM-01
M-HAF006
Akrapovic, Malo Hudo 8a
1295 Ivančna Gorica, Slovenija

Verwendungsbereich (Fahrzeugdaten) / Field of application

Seite / Page 1/1

Lfd. Nr.	Hersteller	Fabrikmarke	Handelsbezeichnung	Fahrzeugtyp ab Genehmigung Nr.	Var. Vers.	Motortyp 4 Takt	Hubraum in cm ³	Nennleistung kW/min ⁻¹	Sonstige bestimmende Merkmale	Anordnung entspr. Anl. 1 lfd. Nr.
No. of vehicle	Manufacturer	Trade mark	Commercial description	Vehicle type beginning with no. of homologation	Var. Vers.	Engine type 4 Stroke	Engine capacity in cm ³	max. engine power kW/min ⁻¹	Additional remarks	Composition reg. enclosure no. 1
1)	KTM AG	KTM	KTM 1090 Adventure	KTM Adventure e1*168/2013*00031*	alle all	608	1050	92/8500	mit Kat.*) / with cat.	1)2)
2)			KTM 1090 Adventure R							
3)			KTM 1290 Super Adventure R							
4)			KTM 1290 Super Adventure S							
5)			KTM 1290 Super Adventure T							
6)	KTM Sportmotorcycle		KTM 1050 Adventure	KTM Adventure e1*2002/24*0596*		606	1050	70/6500		
7)								35/5000		
8)	AG /		KTM 1190 Adventure / R			603	1195	110/9500		
9)	KTM					75/9000				
10)	Motorrad AG /		KTM 1290 Super Adventure			604		1301		
11)	KTM AG									

*) Die serienmäßigen Katalysatoren bleiben unverändert im Abgassystem. Eine Verschlechterung des Abgasverhaltens ist nicht zu erwarten. /
The original catalytic converter remains in the exhaust system. A degradation of catalyst efficiency is not expected.





ANLAGE 3
ENCLOSURE 3

zum Prüfbericht Nr. / to test report no.
Typ / Type:
Hersteller / Manufacturer:

17-00004-CM-GBM-01
M-HAF006
Akrapovic d.d.,
1295 Ivančna Gorica, Slovenija

Ergebnis der Prüfungen / Test results

Seite / Page 1/1

Lfd.Nr.	Leistung Serie kW/min ⁻¹	Leistung Austausch kW/min ⁻¹	Vmax Serie km/h	Vmax Aus- tausch km/h	Fahrgeräusche in dB(A) / Sound levels driving vehicle in dB(A)					Standgeräusche in dB(A) / Sound levels stationary vehicle in dB(A)			
					gemes- sen in Gang	Grenz- wert **)	Serie gemes- sen	Austausch gemessen	bei km/h	lt. Fzg. BE	Serie gemes- sen /	Austausch gemessen	bei min ⁻¹
No. of vehicle	Engine power original kW/min ⁻¹	Engine power non original kW/min ⁻¹	Vmax original km/h	Vmax non original km /h	measured in gear ratio	Limit Value **)	Original mea- sured	Non original measured	at km/h	Vehicle type hom.	Original mea- sured	Non original measured	at min ⁻¹
10) B*	118/8750	118/8750	-	-	2 / 3	80	77	77	50	90	91	90	4375

*) Versuchsreihe / Test series

**) Grenzwert der Richtlinienfassung, die bei Erteilung der Fahrzeuggenehmigung Gültigkeit hatte /
Limit value of directive which was valid by vehicle type homologation



Aussengeräuschmessung nach ISO 362, Richtlinie 97/24/EG für Krafträder

Fahrzeugtyp: Krad

Messdatum : 24.09.2014/11:08:38

Sachbearbeiter : Netsch / Gasper
 Fahrzeughersteller : KTM
 Handelsbezeichnung // Typ : Adventure // 1290
 Fahrgestellnummer : VBKV19405FM904542
 Motortyp // Zylinderzahl : 604 // 2
 Nennleistung // N.-Drehzahl : 117 // 8750
 Hubraum // VB-Art : 1290 // Otto
 Katalysator (li//re) : OE
 Vorschalldämpfer (li//re) : OE
 Mittelschalldämpfer (li//re) : OE
 Nachschalldämpfer (li//re) : Akrapovic
 Reifenhersteller (vo//hi) : Continental
 Reifentyp (vo//hi) : Conti Trail Attack 2
 Reifengröße (vo//hi) : 120-70ZR19(M/C) // 170-60ZR17(M/C)
 Auftraggeber : Akrapovic
 Meßzyklus (EG, be , ko) // U-Pegel : ECE R41 Meth. A // 49,5
 Standgeräusch (li//re; xx,x/) : 89,6 / 90,1 bei 4375Umin
 Baujahr // Kilometerstand : 2014 // 1854
 Messdatum : 24.09.2014

Werte der Einzelfahrten, gerundet und um 1 dB vermindert

F. 1, Gg. 2, li.:77 dB/A, V-E:50.2 km/h F. 1, Gg. 2, re.:78 dB/A, V-E:50.2 km/h
 F. 2, Gg. 2, li.:77 dB/A, V-E:49.3 km/h F. 2, Gg. 2, re.:78 dB/A, V-E:49.3 km/h
 F. 3, Gg. 3, li.:76 dB/A, V-E:49.7 km/h F. 3, Gg. 3, re.:77 dB/A, V-E:49.7 km/h
 F. 4, Gg. 3, li.:76 dB/A, V-E:49.4 km/h F. 4, Gg. 3, re.:77 dB/A, V-E:49.4 km/h

Resultierendes Gesamtergebnis: 77.0 dB/A

Hintergrundgeräusch Messbeginn: 49.0 dB/A

Wetterdaten:

Daten wurden abgespeichert in Datei KTM1290_Umr

Wetterdaten: TS12.9/T15.3C/E0.3m/s/1001.4hPa/75%rHd



Information Document M-HAF006relating to EU type-approval of a noise-abatement device as a STU

TÜV SÜD Auto Service Technical Report: 17-00004-CM-GBM-01

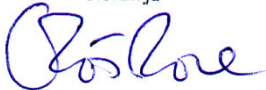
Item No.	(Sub) categories	Detailed information
B.		General information concerning systems, components or separate technical units
0.7.	L1e — L7e	Make(s) (trade name(s) of manufacturer): AKRAPOVIC Exhaust System Technology
0.8.	L1e — L7e	Type: M-HAF006
0.8.1.	L1e — L7e	Commercial name(s) (if available): n.a.
0.8.2.	L1e — L7e	Type-approval number(s) (if available): e26*134/2014*2016/1824G*08068*01
0.8.3.	L1e — L7e	Type-approval(s) issued on (date, if available): n.a.
0.9.	L1e — L7e	Company name and address of manufacturer: Akrapovic d.d. Malo Hudo 8a 1295 Ivančna Gorica Slovenija
0.9.1.	L1e — L7e	Name(s) and address(es) of assembly plants: n.a.
0.9.2.	L1e — L7e	Name and address of manufacturer's authorised representative, if any: n.a.
0.10.		Vehicle(s) for which the system/separate technical unit is intended for:
0.10.1.	L1e — L7e	Type: see Technical Report
0.10.2.	L1e — L7e	Variant: see Technical Report
0.10.3.	L1e — L7e	Version: see Technical Report
0.10.4.	L1e — L7e	Commercial name(s) (if available): see Technical Report
0.10.5.	L1e — L7e	Category, subcategory and sub-subcategory of vehicle : see Technical Report
C.		General information concerning vehicle, systems, components or separate technical units
0.12.		Conformity of production
0.12.1.	L1e — L7e	Controlled by ISO 9001:2008 Quality Management System certified by TÜV SÜD Management Service GmbH Registration no.: 12 100 31148 TMS
1.		GENERAL CONSTRUCTION CHARACTERISTICS
1.8.		Propulsion unit performance
1.8.1.	L3e, L4e, L5e, L7e-A, L7e-B2	Declared maximum vehicle speed: km/h see Technical Report
1.8.2.	L1e, L2e, L6e, L7e-B1, L7e-C	Maximum design vehicle speed : and gear in which it is reached: n.a.
1.8.3.	L1e — L7e	Maximum net power combustion engine: . kW at . min ⁻¹ at A/F ratio: see Technical Report
1.8.4.	L1e — L7e	Maximum net torque combustion engine: . Nm at . min ⁻¹ at A/F ratio: see Technical Report
1.8.5.	L1e — L7e	Maximum continuous-rated power electric motor (15/30 minutes power): n.a.
1.8.6.	L1e — L7e	Maximum continuous-rated torque electric motor: Nm at min ⁻¹ n.a.
1.8.7.	L1e — L7e	Maximum continuous total power for propulsion(s): kW. at ... min ⁻¹ at A/F ratio: n.a.
1.8.8.	L1e — L7e	Maximum continuous total torque for propulsion(s): Nm at min ⁻¹ at A/F ratio: n.a.
1.8.9.	L1e — L7e	Maximum peak power for propulsion(s): kW at min ⁻¹ at A/F ratio: n.a.
4.		GENERAL INFORMATION ON ENVIRONMENTAL AND PROPULSION UNIT PERFORMANCE
4.0		General information on environmental and propulsion performance
4.0.1.	L1e — L7e	Environmental step : Euro (3/4)
4.0.2.	L1e — L7e	Fuel consumption: see WVTA
4.0.3.	L1e — L7e	CO ₂ emissions: see WVTA
4.0.4.	L1e — L7e	Energy consumption: n.a.
4.0.5.	L1e — L7e	Electric range: n.a.
4.0.6.		Sound level
4.0.6.1.	L1e — L7e	Limit value for L _{urban} : see Technical Report
4.4.	L1e — L7e	Additional information on environmental and propulsion unit performance
4.4.4.	L1e — L7e	All additional technical information according to UN Regulation No. 92, are mentioned in the Technical Report or shown in the attachments.



Information Document M-HAF006relating to EU type-approval of a noise-abatement device as a STU

TÜV SÜD Auto Service Technical Report: 17-00004-CM-GBM-01

Attachments	Drawing no.	Date	Pages
Assembly Drawing	KTM Adventure 1050/1090/1190/1290	-	2

Mało Hudo 8a, 1295 Ivančna Gorica,
Slovenija

Rosa Uroš, Managing Director

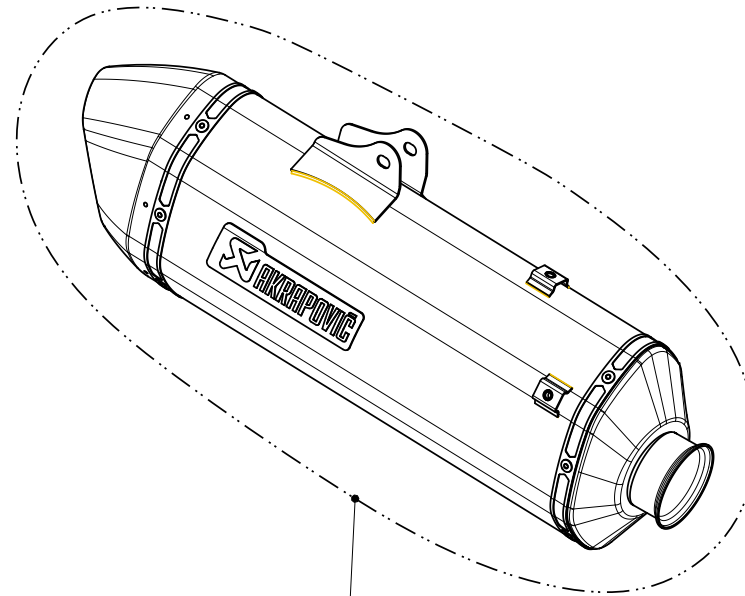
26.04.2017



KTM Adventure 1050 / 1090 / 1190 / 1290 / Slip-ON / EC / ECE Type approval

e26*134/2014*2016/1824G*08068*01

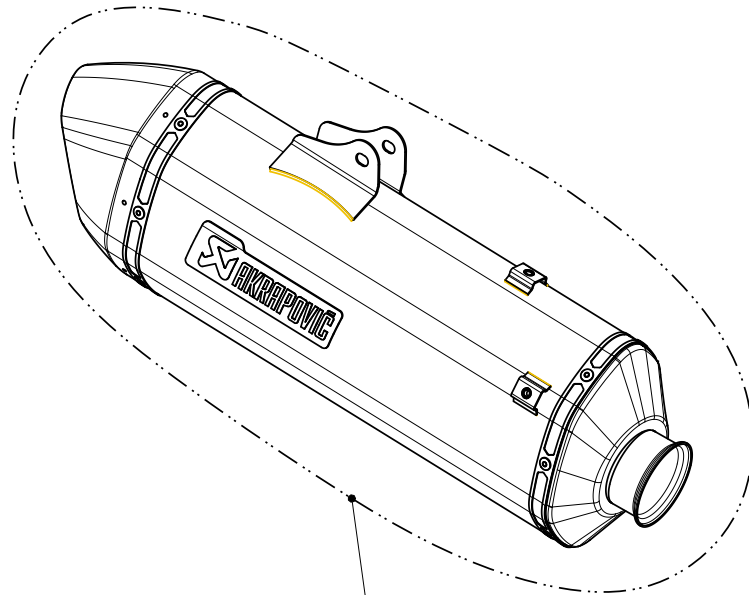
Product code: S-KTMSO46-HAFT
S-KTMSO46-HAFBL



M-HAF006
e26*08068*G
E26*92R-01*8068



Product code: S-KTMSO46-HAFT
S-KTMSO46-HAFBL



M-HAF006
E26*08068*G
E26*92R-01*8068

ORIGINAL PARTS

