

Description: **GRIP HEATER**

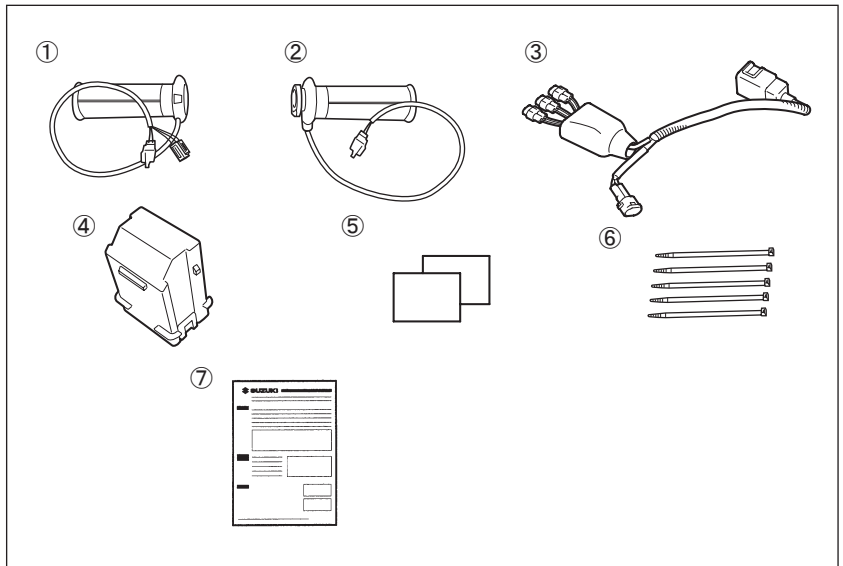
Part Number : 57100-2581*

Applications: GSX800 M3-

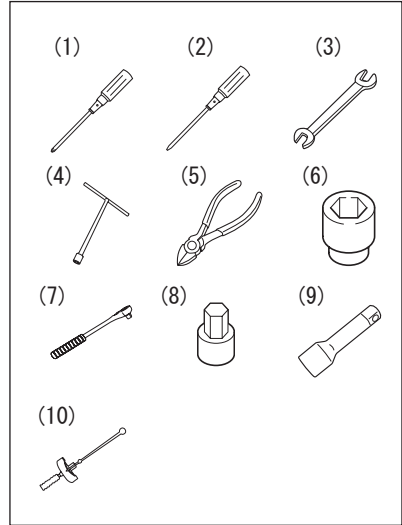
Installation Time : 1.5 H

Contents

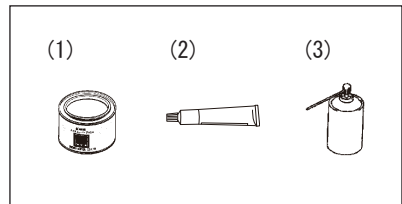
Ref.	Description	QTY
①	Grip Heater (L)	1
②	Grip Heater (R)	1
③	Grip Heater Lead Wire	1
④	Grip Heater Controller	1
⑤	Fastener	2
⑥	Clamp	5
⑦	Installation Instructions	1



Tools Required	Ref. Description
	(1) ⊕ Driver
	(2) ⊖ Driver
	(3) Open end wrench (10 mm, 17mm)
	(4) T wrench (10 mm)
	(5) Cutting pliers
	(6) Socket (10 mm)
	(7) Ratchet handle
	(8) Hexagon socket (4mm, 5mm, 6mm, 8mm, 10mm)
	(9) Extension
	(10) Torque wrench



Items Provided by the Customer	Ref. Description
	(1) ECSTAR SUPER GREASE (A) or equivalent [Recommended 99000-25480]
	(2) Grip cement [Recommended THREE BOND 1530P]
	(3) Degreasing Agent




Important
⚠ WARNING / ⚠ CAUTION / ⓘ NOTICE / ⓘ NOTE

Please read this manual and follow its instructions carefully. To emphasize special information, the symbol **⚠** and the words **WARNING, CAUTION, NOTICE** and **NOTE** have special meanings. Pay particular attention to messages highlighted by these signal words:

⚠ WARNING

Indicates a potential hazard that could result in death or serious injury.

⚠ CAUTION

Indicates a potential hazard that could result in minor or moderate injury.

NOTICE

Indicates a potential hazard that could result in vehicle or equipment damage. ⇒ ⓘ

NOTE

Indicates special information to make maintenance easier or instructions clearer. ⇒ ⓘ

**Precautions
for
Installation**

1. Check that the kit includes all the parts listed on the first page.
2. Check each part in the kit for scratches or any form of damage.
3. Park the vehicle on a level ground.
4. Remove the ignition key from the switch and store it in a safe place.
5. Disconnect the negative (–) cable from the battery.
6. Protect any items removed or to be installed from scratches by placing them on a soft cloth first before putting them on the ground.
7. Use care not to cause any damage to the body of the vehicle during installation of the accessory.



Be sure to refer to the GSX800 service manual, when removing or installing STD parts.

* STD parts = Component parts of SUZUKI motorcycle

**Tightening
Torque**

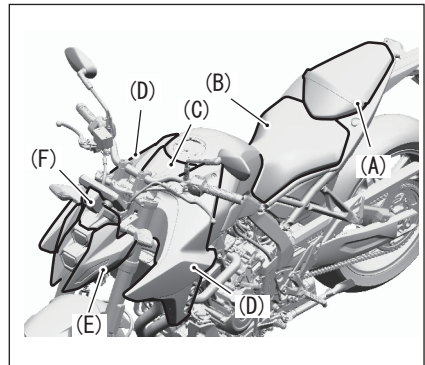
Tighten bolts to the torque indicated in the right table as standard value unless otherwise explicitly specified.

The value shows conventional on "4" marked bolt tightening torque. For other bolts not listed in the table, refer to the service manual.

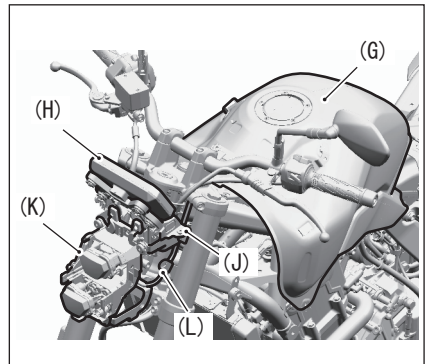
Diameter (mm)	Tightening Torque		
	N·m	kgf·m	lbf·ft
5	3.0	0.3	2.0
6	5.5	0.55	4.0
8	13.0	1.3	9.5
10	29.0	2.9	21.0

Installation **Removal of Motorcycle Parts**

1. Remove the pillion seat (A), seat (B), fuel tank cover (C), upper frame body cover (D), headlamp cover (E) and front meter cover (F).



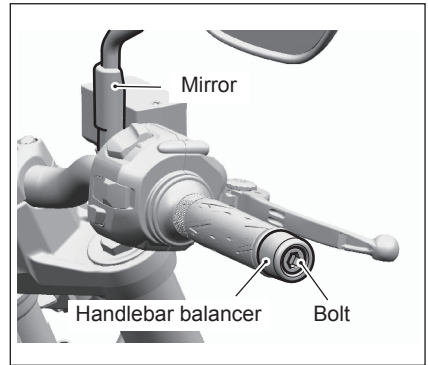
2. Remove the fuel tank (G), speedometer (H), rear meter cover (J), headlamp (K) and headlamp cover brace (L).



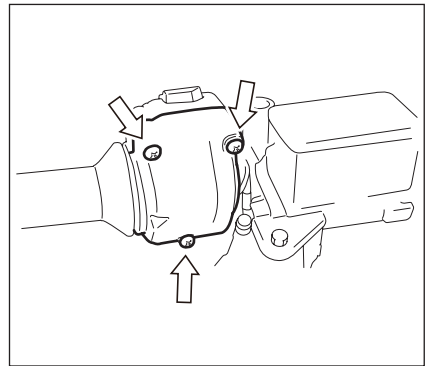


Installation of Grip Heater (R) ②

1. Remove the right handlebar balancer.
2. Remove the right mirror.

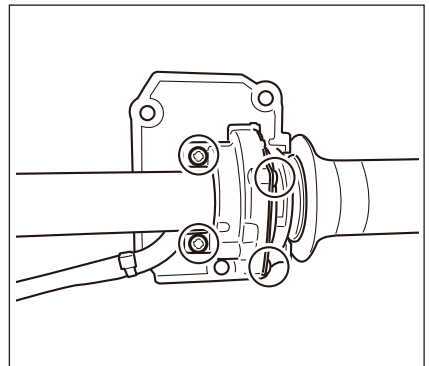


3. Remove screws and remove the right handle switch box.

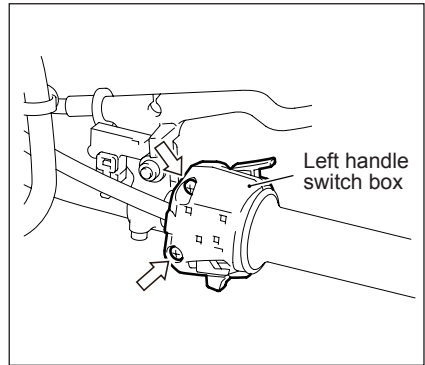


⚠ WARNING

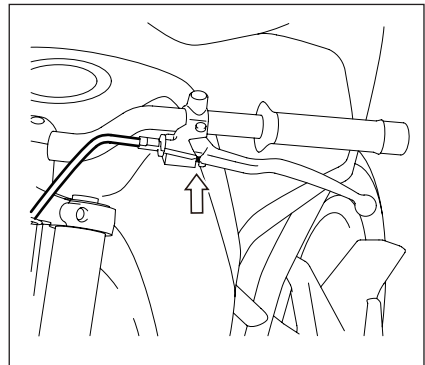
Never touch the screws in the right handle switch holder.



4. Remove 2 screws and remove the left handle switch box.



5. Remove the clutch cable from the clutch lever.



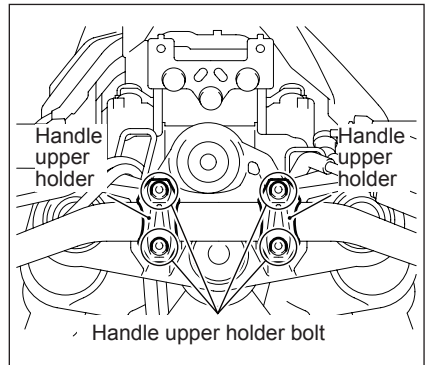
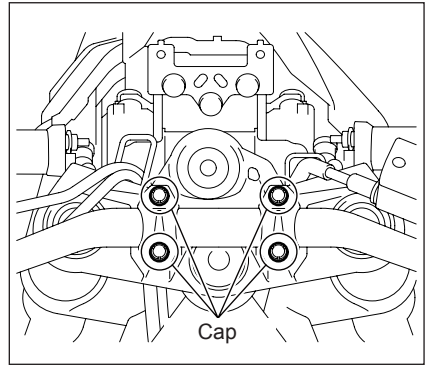
6. Remove the handle upper holder and lift the handle bar from the handle holder.



- Place a rag on the handle holder to prevent the handlebar from being scratched.
- Place a rag on the speedometer to prevent the speedometer from being scratched.

 **WARNING**

Don't turn the front brake master cylinder assembly upside down.



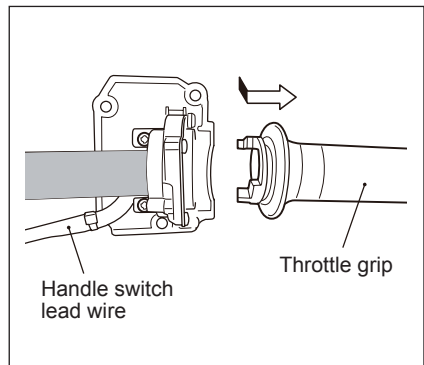
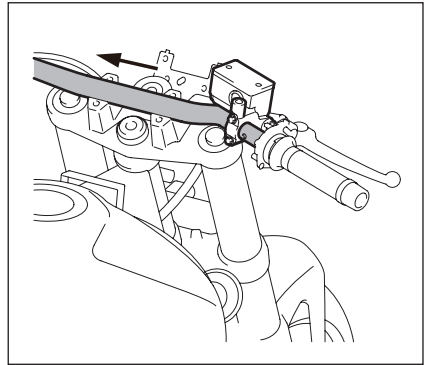
7. Move the handlebar to the left side of the motorcycle, move the right handle switch holder and the throttle grip to the handlebar end, and remove only the throttle grip.

⚠ WARNING

- **Never pull the right handle switch lead wire forcibly. It may cause cutting the right handle switch lead wire.**
- **Never pull the front brake hose forcibly. It may cause breaking the front brake hose.**



Throttle grip will not be re-used.



8. Reinstall the handle bar in the reverse order of step 6.

**🔧 Handle upper holder bolt:
23N·m(2.3 kgf-m, 17.0 lbf-ft)**

9. Install the clutch cable to the clutch lever and adjust the clutch cable play.
10. Reinstall the left handle switch box to the motorcycle.



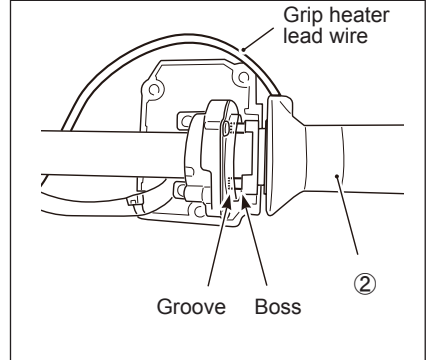
Be sure to refer to the GSX800 service manual.



11. Apply grease to the right side of the handlebar.

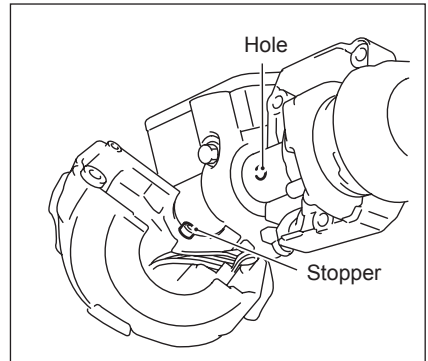
ECSTAR SUPER GREASE A or equivalent

12. Install the Grip Heater (R) ② with its lead wire facing upward, so that the boss is inserted into the groove of the right handle switch holder.



13. Align the switch box stopper with the positioning hole in the handlebar and tighten the screw.

 **Screw: 3N·m
(0.3 kgf-m, 2.5 lbf-ft)**



After tightening screws of the right handle switch box, check that the switch box doesn't rattle.

14. Pass the lead wire of the Grip Heater (R) ② in front of the handlebar as shown, and pass it between the right handle switch box and the front brake master cylinder clamp.

Align the white tape part of the Grip Heater (R) ② lead wire between the front brake master cylinder bolts, and secure it with the Clamp ⑥ .



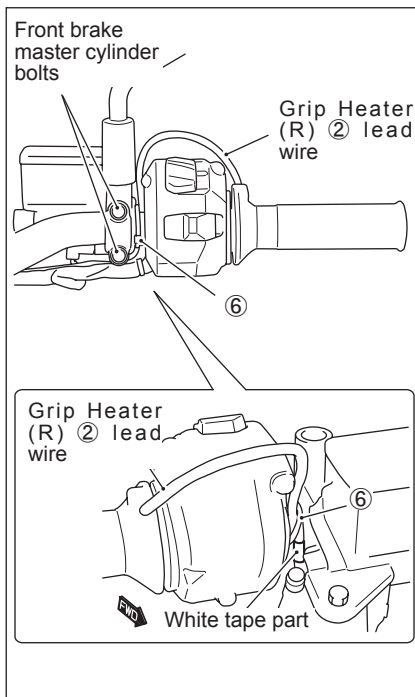
Pass the lead wire of the Grip Heater (R) ② in front of the handlebar, and secure it as shown.



- **Secure the Grip Heater (R) ② lead wire with the Clamp ⑥ .**
- **Check that the lead wire doesn't move during throttle operation.**



Cut off the excess part of the Clamp ⑥ .






15. Reinstall the handle bar balancer and mirror.

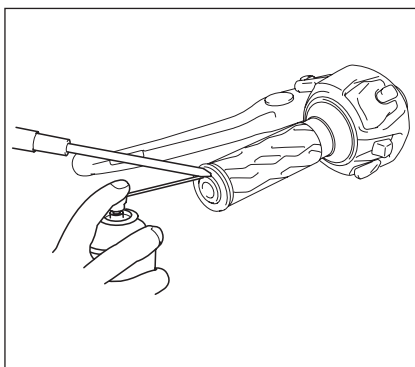
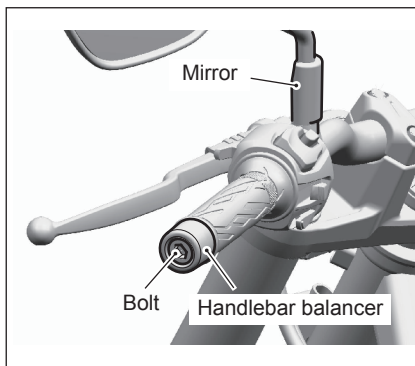
 **Handlebar balancer bolt:**
23N-m(2.3 kgf-m, 17.0 lbf-ft)

 **WARNING**

Make sure if there isn't the tension of the lead wire, contact to other parts, catch in the throttle operation and so on, when operating the throttle, lever and switches and the stationary steering.

Installation of Grip Heater (L) ①

1. Remove the left handlebar balancer.
2. Remove the left mirror.
3. Open the gap between the left handlebar grip and the handlebar with a  driver, then inject degreasing agent to pull out the left handlebar grip.



Use the  driver with care so as not to scratch the surface of the handlebar.

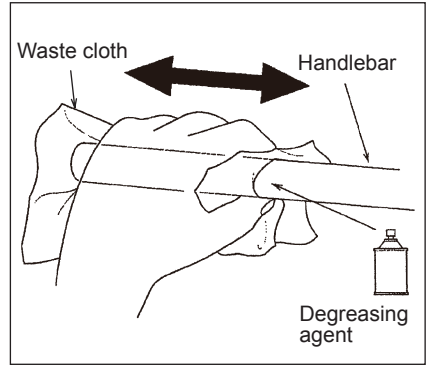


Left handle grip will not be reused.

4. Wipe off the rest of adhesive adhered from the handlebar with a degreasing agent and a waste cloth.

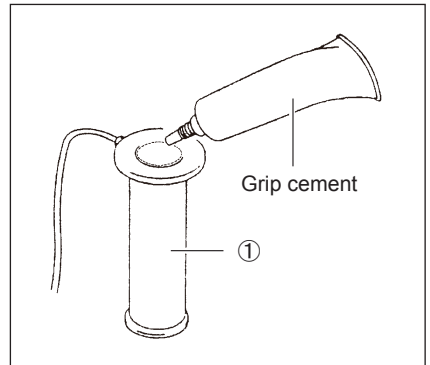
ⓘ

Dry the handlebar completely.



5. Apply grip cement evenly and rather abundantly to the inside of the Grip Heater (L) ①.

[Recommended: THREE BOND 1530P]

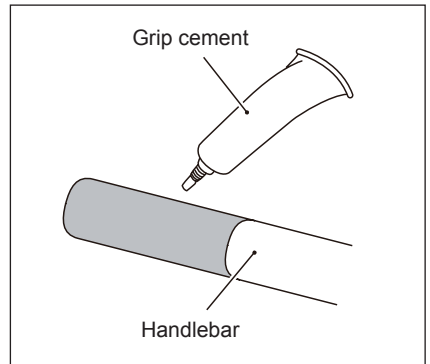


6. Apply grip cement to the handlebar surface.

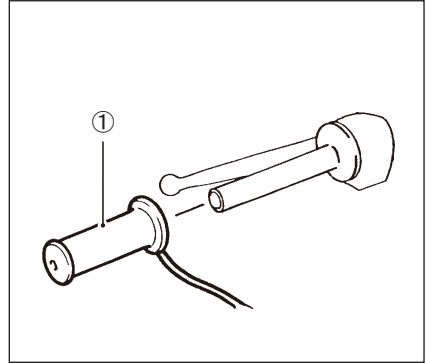
[Recommended: THREE BOND 1530P]

ⓘ

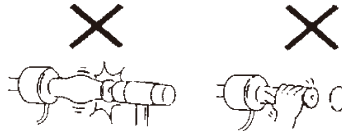
In case that bond is attached to the end surface of the handlebar, wipe off it with a waste cloth completely before drying.



7. Insert the Grip Heater (L) ① into the handlebar at a stroke with turning before the grip cement dries.

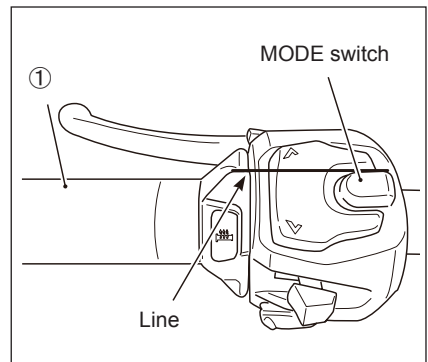


- When the grip is inserted, do not stop in midway but insert it at a stroke.
- When inserting it, do not hit the grip end with a hammer or twist it forcibly, the grip heater may be cut off.



- When the grip cannot be inserted in midway, pull out the grip by pouring the degreasing agent into a gap between the grip heater and the handlebar. At this time, do not twist forcibly the heater wire with a screwdriver or such similar tool, the heater wire inside the grip heater may be cut off.

As shown in the illustration, align the Grip Heater (L) ① with the upper line of the MODE switch.



 **WARNING**

- Use an appropriate grip cement, and dry well the applied part, then check if it is securely adhered.
If it has not completely dried or if a different cement is used, there is a risk that the grip may slip off while riding. Verify that the grip is securely mounted to the handlebars before operating the motorcycle.
- Secure the Grip Heater lead wire securely by using a clamp so that no tension should be felt in the throttle grip lead wire when operating the throttle.
- Clamp the wire so that the throttle grip lead wire does not come into contact with other parts when the throttle is opened/closed.

8. Reinstall the handlebar balancer and mirror which were removed in step 1 and 2.



Handlebar balancer bolt:
23N·m(2.3 kgf·m, 17.0 lbf·ft)

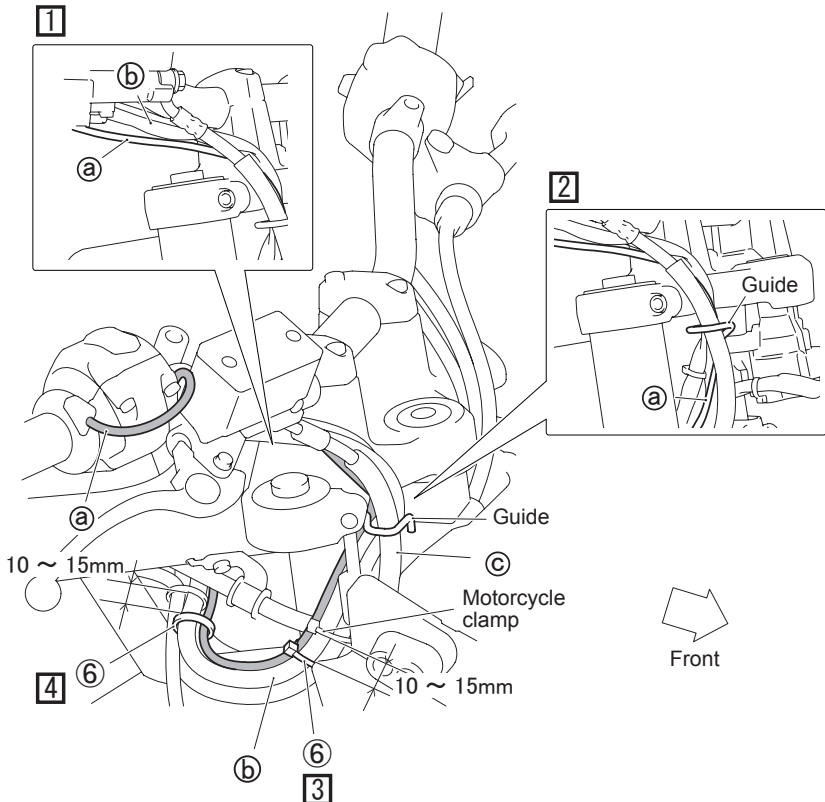
Installation of the Grip Heater (L) ① / (R) ② lead wires

Route and secure the Grip Heater (L) ① / (R) ② lead wire as shown in the illustration.

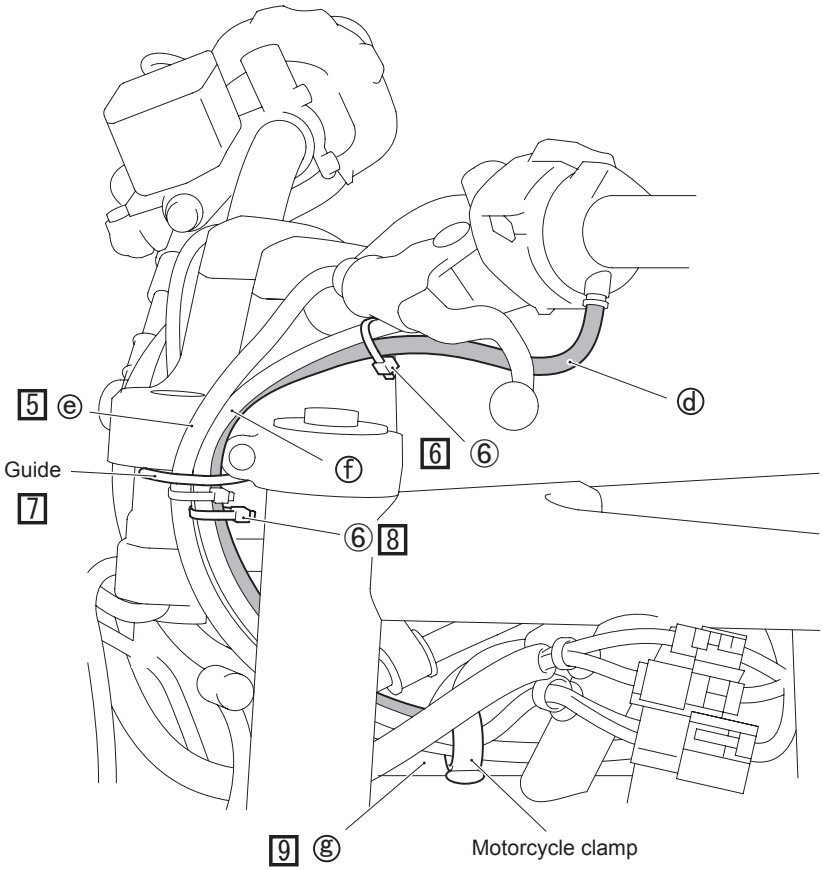


- Check that there should be no excessive tension nor remarkable slack in the Grip Heater (L) ① / (R) ② lead wire.
- Cut off the excess part of the Clamp ⑥ .
- Check that the tip of the clamp isn't contact with other parts in stationary steering state.

View: A



View: B



Wiring, hose, cable
a. Grip Heater (R) ② lead wire
b. Right handle switch lead wire
c. Front brake hose
d. Grip Heater (L) ① lead wire
e. Clutch cable
f. Left handle switch lead wire
g. Main harness

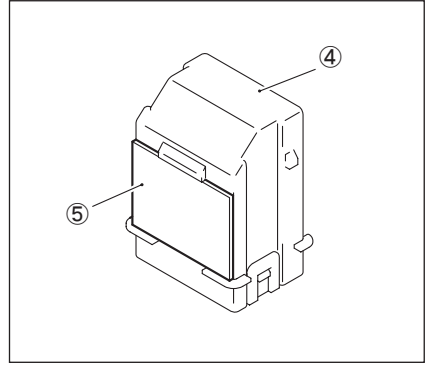
Operation
①. Route "a" along "b". (View : A)
②. Pass "a" through the guide. (View : A)
③. Fix "a" to "b" and the ignition switch lead wire with the Clamp ⑥. (View : A) ※1: Clamp it within 10 - 15 mm from the motorcycle clamp.
④. Fix "a" to "b" and the ignition switch lead wire with the Clamp ⑥. (View : A) ※2: Clamp it within 10 - 15 mm from the motorcycle clamp.
⑤. Route "d" along "e" and "f". (View : B)
⑥. Fix "d" to "f" with the Clamp ⑥. (View : B)
⑦. Pass "d" through the guide. (View : B)
⑧. Fix "d" to "f" with the Clamp ⑥. (View : B) ※2: Clamp it within 10 - 15 mm from the motorcycle clamp.
⑨. Fix "d" to "g" with "e" and "f" with motorcycle clamps. (View : B)

**Installing the Grip Heater lead wire ③
and Grip Heater controller ④**

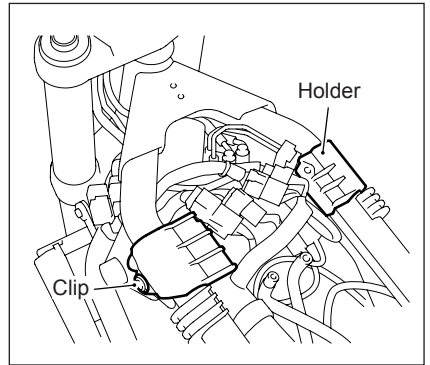
1. Attach the Fastener ⑤ to the Grip Heater Controller ④ .



Apply the primer to the attaching surface and attach the Fastener ⑤ after drying.



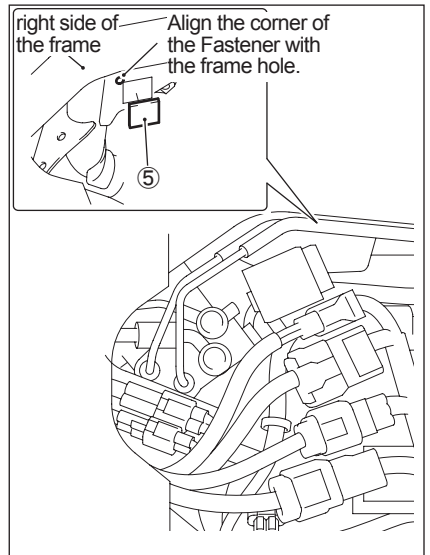
2. Remove the clips of the holder and move it aside.



3. Attach the Fastener ⑤ to the plate under the holder on the right side of the frame.



Apply the primer to the attaching surface and attach the Fastener ⑤ after drying.

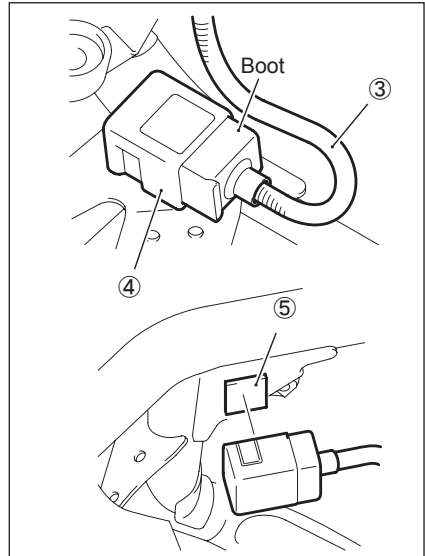


Attach the Fastener ⑤ parallel to the welding line of the frame.

4. Connect the Grip Heater Controller ④ to the Grip Heater Lead Wire ③, and secure it to the Fastener ⑤ which were attached in step 3.

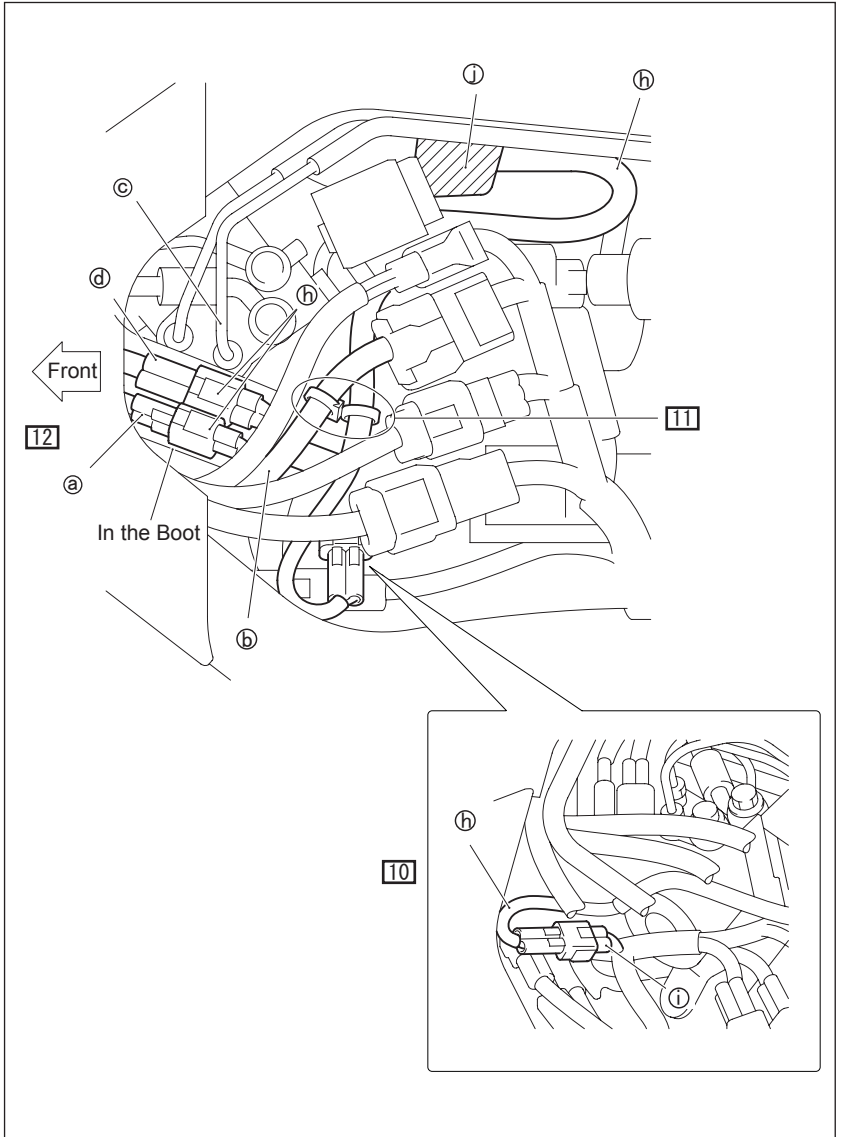


After connecting the Grip Heater Controller ④ to the Grip Heater Lead Wire ③, be sure to fit the boot into the Grip Heater Controller ④.






Route and secure the lead wire of each part as shown in the illustration.

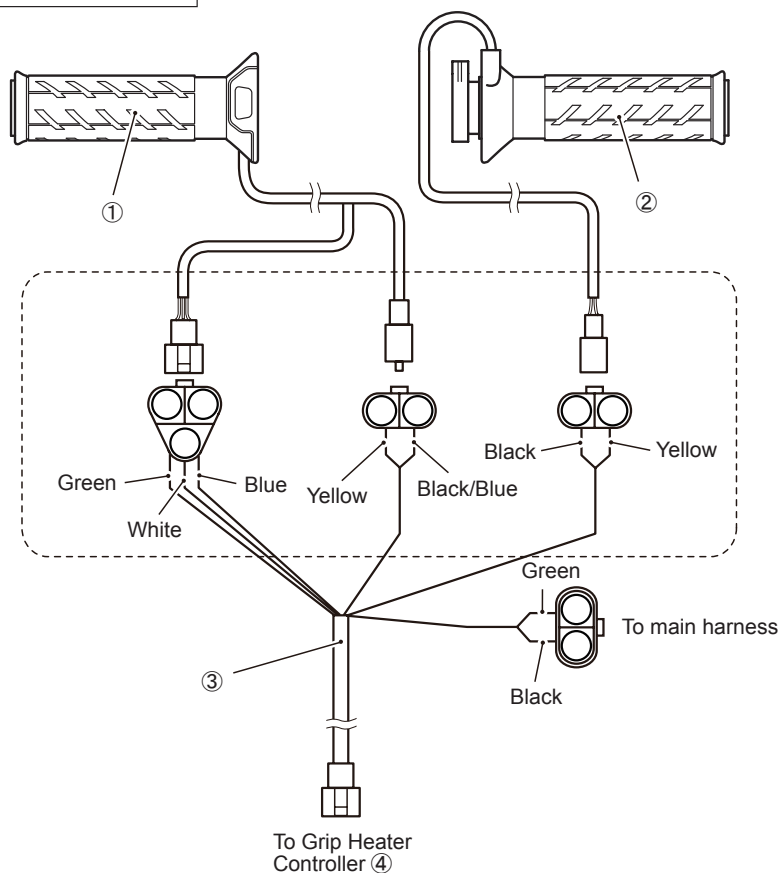


Wiring, hose, cable
a. Grip Heater (R) ② lead wire
b. Right handle switch lead wire
c. Front brake hose
d. Grip Heater (L) ① lead wire
h. Grip Heater Lead Wire ③
i. Main harness
j. Grip Heater Controller ④

Operation
10 . Connect "h" to "i". Pass "h" under the holder.
11 . Fix "b" with the 8 shape clamp which is attached to "h".
12 . Connect "a" and "d" to "h". Put the excess lead wire into the boot. ※ Put the boot in the space between the brake hose and the right handle switch wire.

5. Reinstall the holder which was moved in step 2 to the original position.


Put the Grip Heater Lead Wire ③ under the holder.

Wiring diagram


6. Turn on the grip heater and check if the grip heater works properly.



For instructions of the grip heater, see page 25.

7. Install the motorcycle parts in reverse order of removal.
(Refer to the GSX800 service manual.)



Be sure to check the installation of each part before riding.

Function Checking and Inspection

1. Check if the lead wire is not under an undue force when the throttle grip is fully open, or when the handlebar is turned fully to the right and to the left.
2. Check if the left side grip heater is securely adhered.

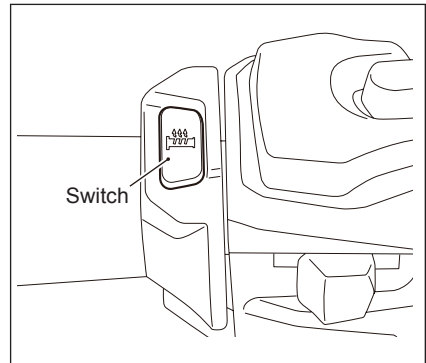
After Engine Is Started

1. Check if the lighting devices such as the headlamp operates correctly.
2. Check if the grip heater temperature changes by pushing the switch and changing the indicator from LEVEL 3 to LEVEL 1.

Handling Method

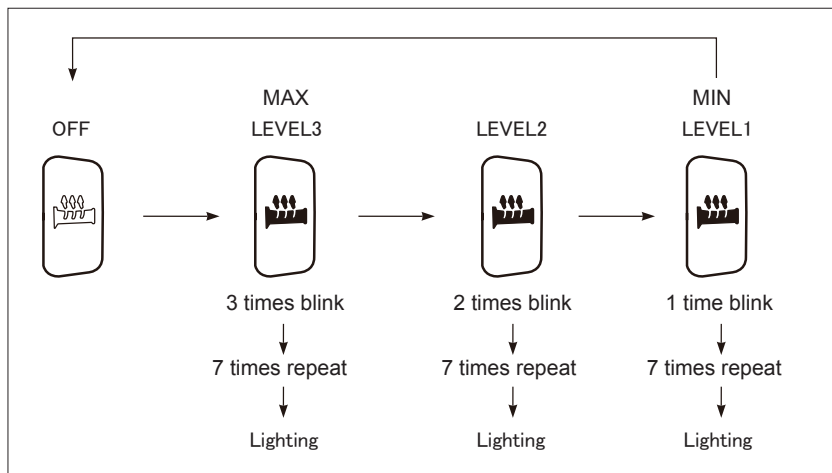
Start engine, turn on the switch of the grip heater, then grip heater starts running and get warm.

According to the air temperature, the grip heater temperature can be adjusted in 3 levels from LEVEL3 to LEVEL 1.





The grip heater temperature can be adjusted in three steps by pushing the switch. Pushing the switch changes temperature as follows:



⚠ CAUTION

- Be sure to wear gloves to avoid burns.
- Do not use the grip heater, when air temperature is above 20 degrees to avoid burns due to overheating.
- Replace the damaged grips to avoid burns or electrical shock.



- *The grip heater has a built-in automatic switch to avoid unnecessary battery power consumption. The automatic switch turns off grip heater when the engine speed becomes lower at engine idling speed. When the engine speed increases and the battery voltage increases, the automatic switch turns on grip heater and the indicator comes back.*
- *Pushing the switch will not turn on the grip heater when the engine speed is low. Increase the engine speed and push the switch again to turn on the grip heater.*



When the grip heater does not operate normally, check the following items, and consult your SUZUKI Dealer from whom you bought the product.

- Grip heater does not operate. Or it can not be adjusted.
 1. Is the grip heater switch indicator blinking?
 2. Has the engine started?
 3. Is the grip heater switch set on the position between LEVEL1 ⇔ LEVEL3?
- Grip heater temperature is too low or too high.
 1. Have you adjusted the grip heater switch to be set between LEVEL1 ⇔ LEVEL3?
 2. When the temperature is too high, set the switch on LEVEL1 or OFF, or wear a thick pair of gloves.
- The grip heater may perform/feel differently depending on the location.
 1. This is no failure.
- Grip heater switch indicator is blinking.
 1. Too low battery voltage.

Recharge the battery fully or replace the battery with new one.
Even if the grip heater switch is turned off, when battery voltage becomes low, the indicator blinks.

**Handling
precautions**



Do not use a high-pressure washer to wash your motorcycle, as it can cause the grip heater to fail.

Description: **POIGNÉE CHAUFFANTE**

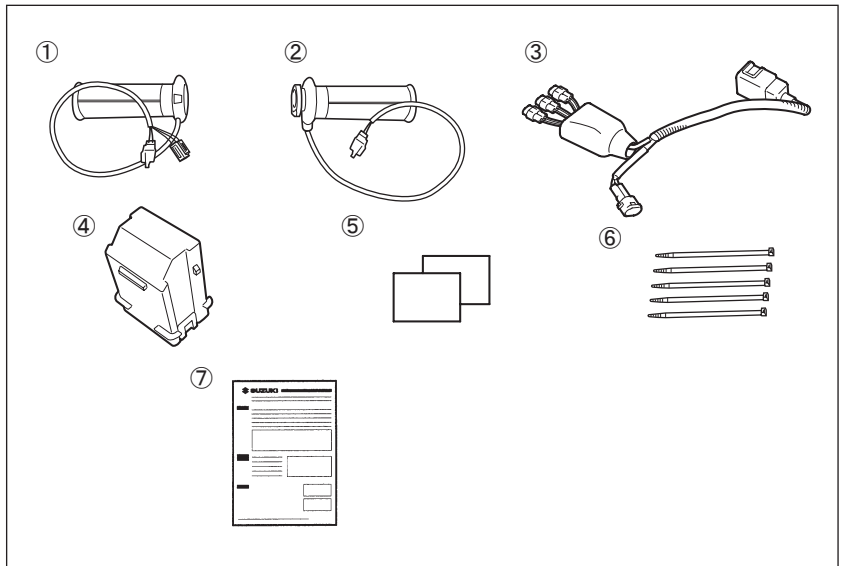
Code : 57100-2581*

Modèle: GSX800 M3-

Temps d'installation : 1,5 H

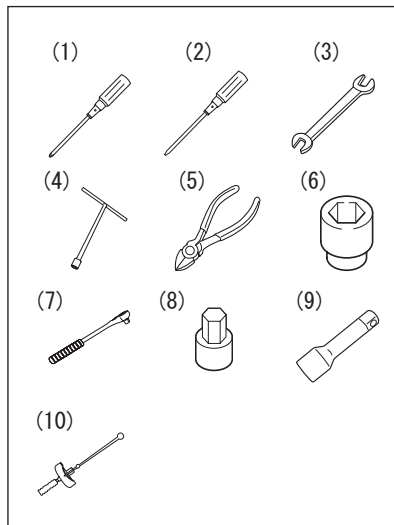
Contenu

Réf.	Description	Qte
①	Poignée chauffante (G)	1
②	Poignée chauffante (D)	1
③	Câble des poignées chauffantes	1
④	Contrôleur des poignées chauffantes	1
⑤	Fixation	2
⑥	Attache	5
⑦	Instructions d'installation	1

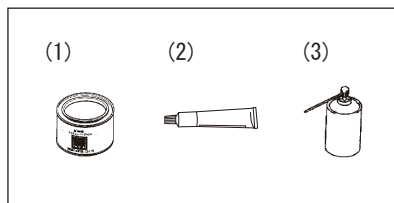


**Outils
nécessaires**

Réf.	Description
(1)	Tournevis \oplus
(2)	Tournevis \ominus
(3)	Clé plate (10 mm, 17mm)
(4)	Clé en T (10 mm)
(5)	Pincès coupantes
(6)	Douille (10 mm)
(7)	Clé à cliquet
(8)	Douille hexagonale (4mm, 5mm, 6mm, 8mm, 10mm)
(9)	Prolongateur
(10)	Clé dynamométrique


**Pièces
fournies
par
le client**

Réf.	Description
(1)	ECSTAR SUPER GREASE (A) ou équivalent [Graisse recommandée 99000-25480]
(2)	Colle pour poignée [Colle recommandée THREE BOND 1530P]
(3)	Dégraissant



Important
▲ AVERTISSEMENT / ▲ ATTENTION / AVIS / NOTE

Lire attentivement ce manuel et se conformer soigneusement aux instructions données. Pour souligner des informations spéciales, on utilise le symbole ▲ et les mots **AVERTISSEMENT**, **ATTENTION**, **AVIS** et **NOTE**. Lire avec soin les messages précédés par ces mots:

▲ AVERTISSEMENT

Indique un danger potentiel pouvant résulter en blessures graves ou mortelles.

▲ ATTENTION

Indique un danger potentiel pouvant résulter en blessures légères ou modérées.

AVIS

Indique un danger potentiel pouvant résulter en détérioration du véhicule ou des équipements. ⇨ ⓘ

NOTE

Signale des informations spéciales pour faciliter l'entretien ou clarifier des instructions importantes. ⇨ ⓘ

**Précautions
à
l'installation**

1. Vérifier que le kit inclut toutes les pièces énumérées en première page.
2. Vérifier que les pièces du kit ne sont pas rayées ou détériorées d'une manière quelconque.
3. Garer le véhicule sur une surface plane.
4. Enlever la clé de contact du contacteur et la ranger dans un endroit sûr.
5. Débrancher le câble négatif (-) de la batterie.
6. Protéger des rayures toutes les pièces déposées ou à installer en les plaçant sur un chiffon plutôt qu'à même le sol.
7. Éviter d'endommager le véhicule pendant l'installation de l'accessoire.



Reportez-vous au manuel d'entretien de la GSX800 lors de la dépose ou de l'installation de pièces STD.

*** Pièces STD = Composants de ma moto SUZUKI**

Couple de serrage

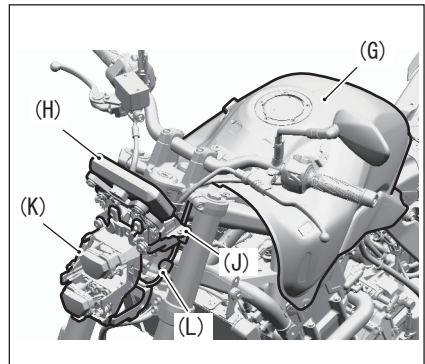
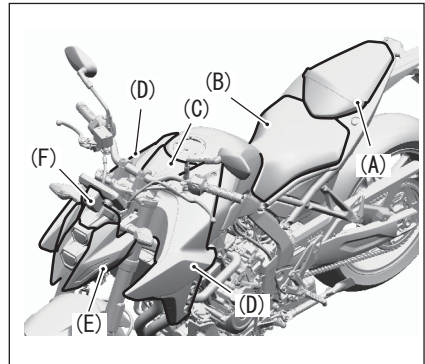
Serrez les boulons au couple indiqué dans le tableau de droite comme valeur standard, sauf indication contraire explicite.

La valeur indique le couple de serrage conventionnel des boulons marqués "4". Pour les autres boulons non répertoriés dans le tableau, reportez-vous au manuel d'entretien.

Diamètre (mm)	Couple de serrage	
	N·m	kgf·m
5	3,0	0,3
6	5,5	0,55
8	13,0	1,3
10	29,0	2,9

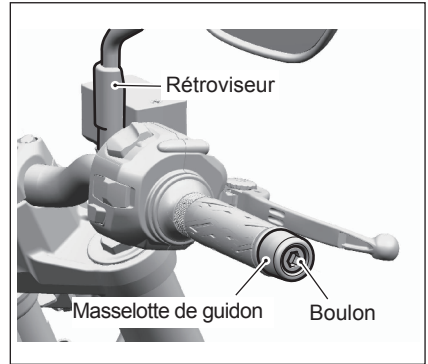
Installation Dépose de pièces de la moto

1. Retirez le siège passager (A), le siège (B), le cache du réservoir de carburant (C), le cache du corps supérieur (D), le cache du phare (E) et le cache du compteur avant (F).
2. Retirez le réservoir de carburant (G), le compteur de vitesse (H), le cache du compteur arrière (J), le phare (K) et l'attache du cache de phare (L).

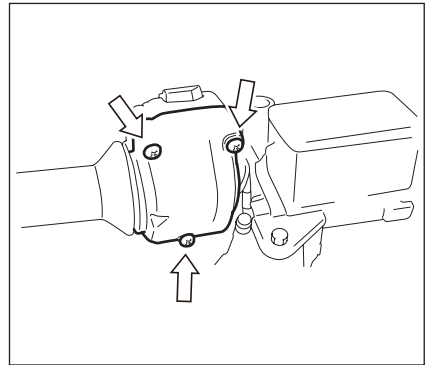


Installation de la poignée chauffante (D) ②

1. Retirez le balancier du demi-guidon droit.
2. Retirez le rétroviseur droit.

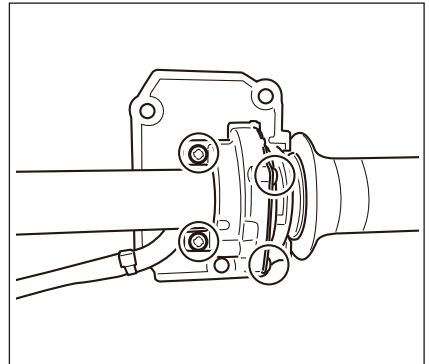


3. Retirez les vis et retirez le boîtier de commutation de la poignée droite.

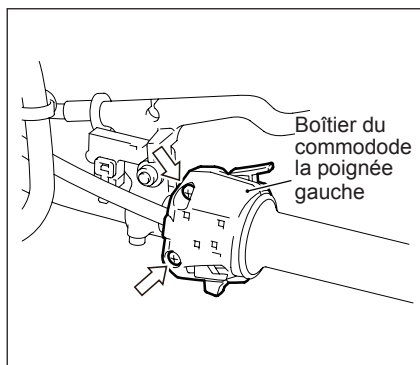


AVERTISSEMENT

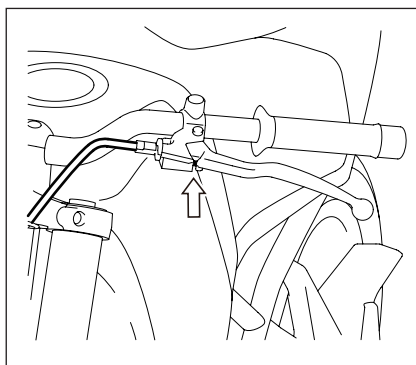
Ne touchez jamais les vis du support de contacteur à la poignée droite.



4. Retirez les 2 vis et retirez le boîtier de commutation de la poignée gauche.



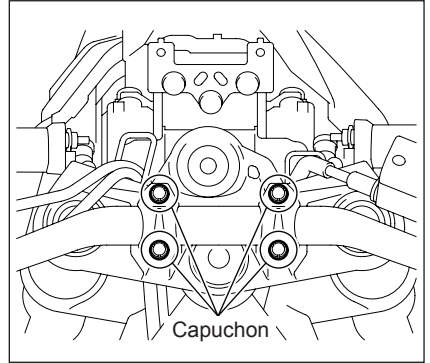
5. Débranchez le câble d'embrayage du levier d'embrayage.



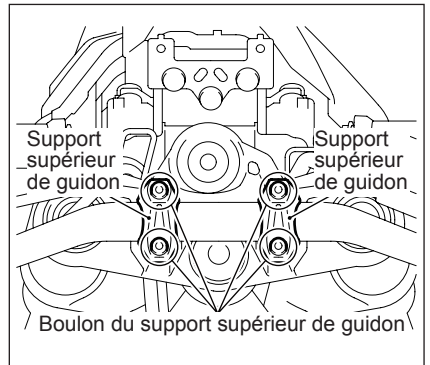
6. Retirez le support supérieur de la poignée et soulevez la barre de la poignée du support de la poignée.



- Placez un chiffon sur le support de guidon pour éviter de rayer le guidon.
- Placez un chiffon sur le compteur de vitesse pour éviter de le rayer.



⚠ AVERTISSEMENT
 Ne mettez pas l'ensemble maître-cylindre de frein avant à l'envers.



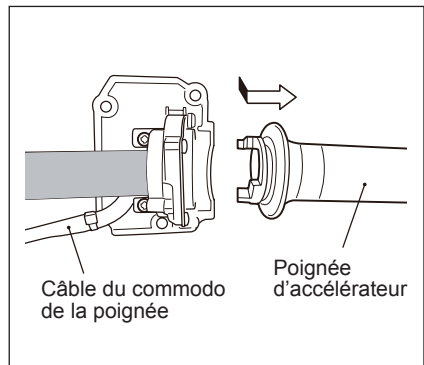
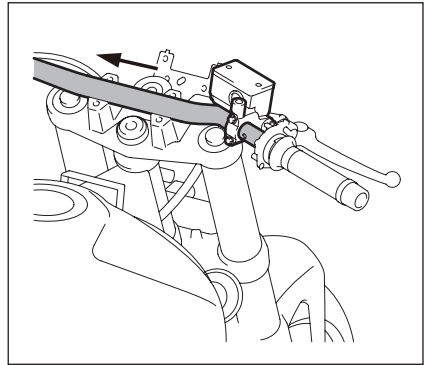
7. Déplacez le guidon vers le côté gauche de la moto, déplacez le support de contacteur à la poignée droite et la poignée des gaz vers l'extrémité du guidon, et retirez uniquement la poignée des gaz.

⚠ AVERTISSEMENT

- **Ne tirez jamais avec force sur le câble du commodo de la poignée droite. Cela pourrait couper le câble du commodo de la poignée droite.**
- **Ne tirez jamais avec force sur le flexible de frein avant. Cela pourrait provoquer la rupture du flexible de frein avant.**



La poignée des gaz ne sera pas réutilisée.



8. Réinstallez la barre de la poignée dans l'ordre inverse de l'étape 6.

 Boulon du support supérieur de guidon:

23N·m (2,3 kgf·m)

9. Installez le câble d'embrayage sur le levier d'embrayage et réglez le jeu du câble d'embrayage.
10. Réinstallez le boîtier de commutation de la poignée gauche sur la moto.

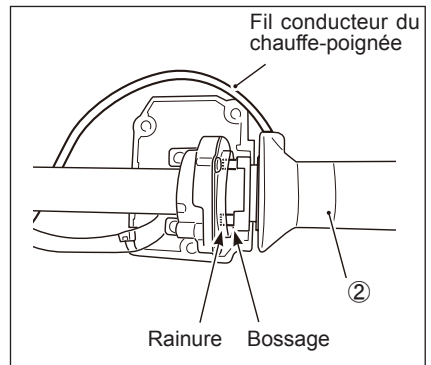


Veillez à consulter le manuel d'entretien GSX800.

11. Appliquez de la graisse sur le côté droit du guidon.

ECSTAR SUPER GREASE A ou équivalent

12. Installez le chauffe-poignée (D) ② avec son fil conducteur orienté vers le haut, de sorte que le bossage soit inséré dans la rainure du support de contacteur à la poignée droite.

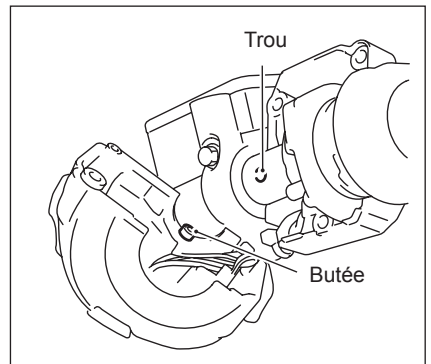


13. Alignez la butée du boîtier de commutation avec l'orifice de positionnement dans le guidon, puis serrez la vis.

 **Vis: 3N·m (0,3 kgf-m)**



Après avoir serré les vis du boîtier de commutation de la poignée droite, vérifiez que le boîtier de commutation n'émet pas de cliquetis.



14. Faites passer le fil conducteur du chauffe-poignée (D) ② devant le guidon comme indiqué, et faites-le passer entre le boîtier de commutation de la poignée droite et le collier de serrage de maître-cylindre de frein avant.

Alignez la section de bande blanche du fil conducteur du chauffe-poignée (D) ② entre les boulons du maître-cylindre de frein avant, et fixez-la avec l'attache ⑥ .



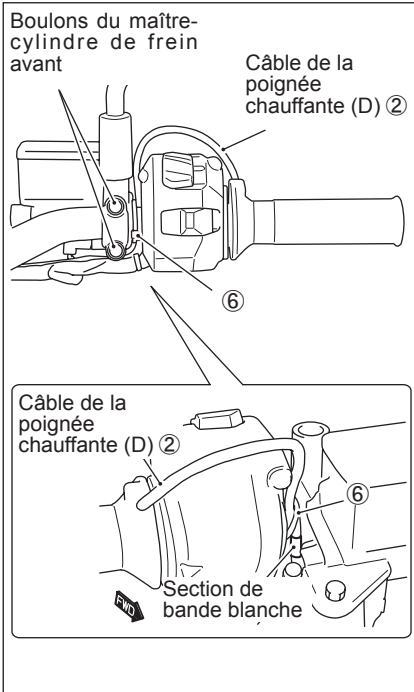
Faites passer le fil conducteur du chauffe-poignée chauffante (D) ② juste devant le guidon, et fixez-le comme indiqué.



- **Fixez le fil conducteur du chauffe-poignée (D) ② avec l'attache ⑥ .**
- **Vérifiez que le fil conducteur ne bouge pas pendant le fonctionnement de l'accélérateur.**



Coupez la section excédentaire de l'attache ⑥ .





15. Remettez en place le balancier de la barre de la poignée et le rétroviseur.



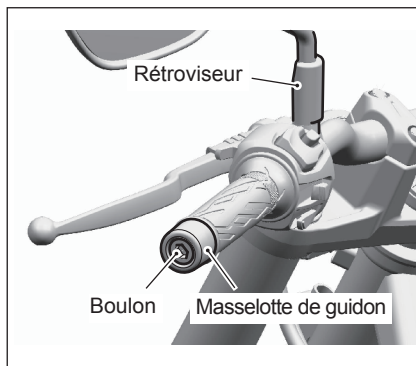
Boulon du balancier de guidon: 23N-m (2,3 kgf-m)

⚠ AVERTISSEMENT

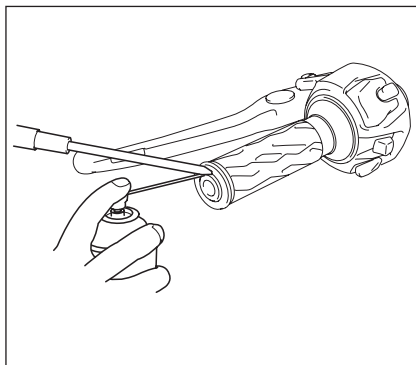
Assurez-vous qu'il n'y a pas de tension du fil conducteur, de contact avec d'autres pièces, de prise dans le fonctionnement de l'accélérateur, etc., lors de l'utilisation de l'accélérateur, du levier et des contacteurs, et de la direction à l'arrêt.

Pose du chauffage de la poignée (G) ①

1. Retirez le balancier du demi-guidon gauche.
2. Retirez le rétroviseur gauche.



3. Ouvrez l'espace entre la poignée gauche du guidon et le guidon à l'aide d'un tournevis plat \ominus , puis injectez du dégraissant et retirez la poignée gauche du guidon.



Utilisez le tournevis plat \ominus avec précaution afin de ne pas rayer la surface du guidon.

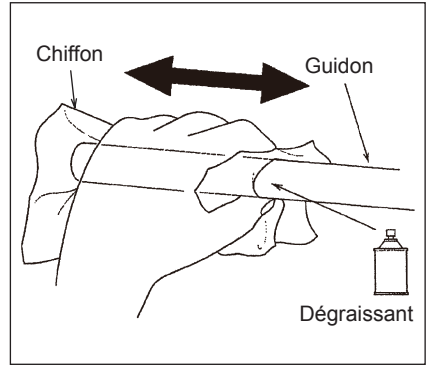


La poignée des gaz gauche ne sera pas réutilisée.

4. Essayez le reste d'adhésif adhérent au guidon à l'aide d'un produit dégraissant et d'un chiffon.

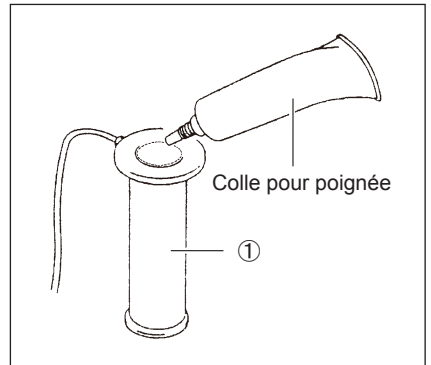
ⓘ

Séchez complètement le guidon.



5. Appliquez de la colle pour poignée uniformément et en grande quantité à l'intérieur de la poignée chauffante (G) ①.

[Recommandé: THREE BOND 1530P]

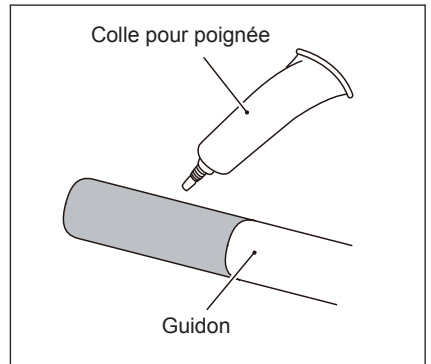


6. Appliquez de la colle pour poignée sur la surface du guidon.

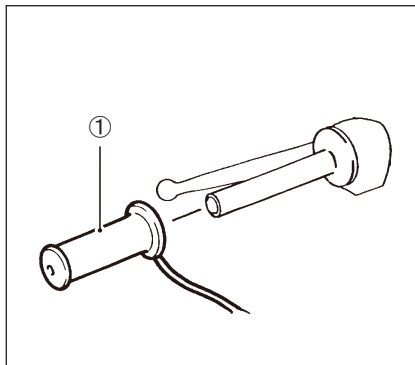
[Recommandé: THREE BOND 1530P]

ⓘ

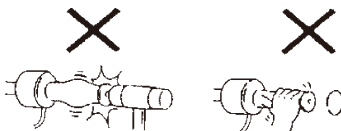
Si de la colle reste sur la surface d'extrémité du guidon, essayez-la complètement avec un chiffon avant de sécher.



7. Insérez le chauffe-poignée (G) ① dans le guidon d'un coup avant que la colle pour poignée ne sèche.

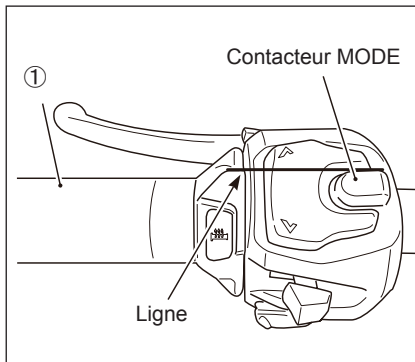


- Lorsque la poignée est insérée, ne la laissez pas à mi-course, mais insérez-la en une seule fois.
- Lors de son insertion, ne frappez pas l'extrémité de la poignée avec un marteau et ne la tournez pas en forçant, car le chauffe-poignée risque de se détacher.



- Lorsque la poignée ne peut pas être insérée à mi-course, tirez la poignée en appliquant l'agent dégraissant dans l'interstice entre le chauffe-poignée et le guidon. À ce stade, ne tordez pas le fil du réchauffeur en forçant avec un tournevis ou un outil similaire, sinon le fil du réchauffeur à l'intérieur du chauffe-poignée risque d'être coupé.

Comme indiqué sur l'illustration, alignez le chauffe-poignée (G) ① avec la ligne supérieure du contacteur MODE.



⚠ AVERTISSEMENT

- **Utilisez une colle pour poignées appropriée et séchez bien la pièce appliquée, puis vérifiez si elle est bien fixée. Si la pièce n'est pas complètement sèche ou si une autre colle est utilisée, la poignée risque de se détacher pendant la conduite. Vérifiez que la poignée est bien fixée sur le guidon avant d'utiliser la moto.**
- **Fixez solidement le fil conducteur du chauffe-poignée à l'aide d'une pince afin qu'aucune tension ne soit ressentie dans le fil conducteur de la poignée des gaz lorsque l'accélérateur est actionné.**
- **Fixez le fil de sorte que le fil conducteur de la poignée des gaz n'entre pas en contact avec d'autres pièces lorsque l'accélérateur est ouvert/fermé.**

8. Remettez en place le balancier du guidon et le rétroviseur qui ont été retirés aux étapes 1 et 2.



Boulon du balancier de guidon : 23N·m (2,3 kgf-m)

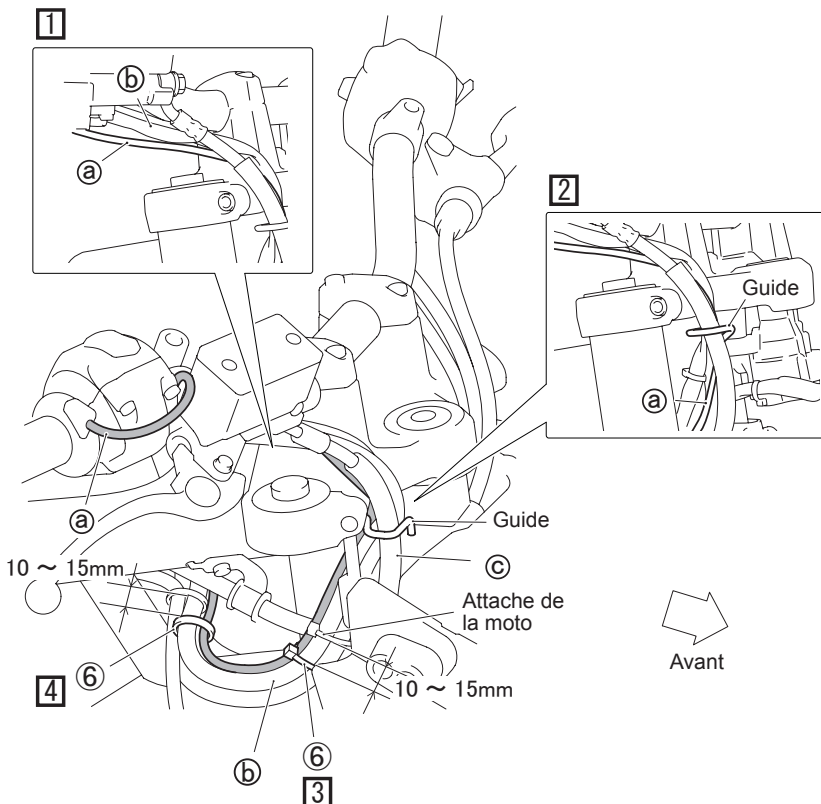
Installation des fils conducteurs du chauffe-poignée (G) ① / (D) ②

Veillez à assembler le fil conducteur du chauffe-poignée (G) ① / (D) ② comme indiqué sur l'illustration.

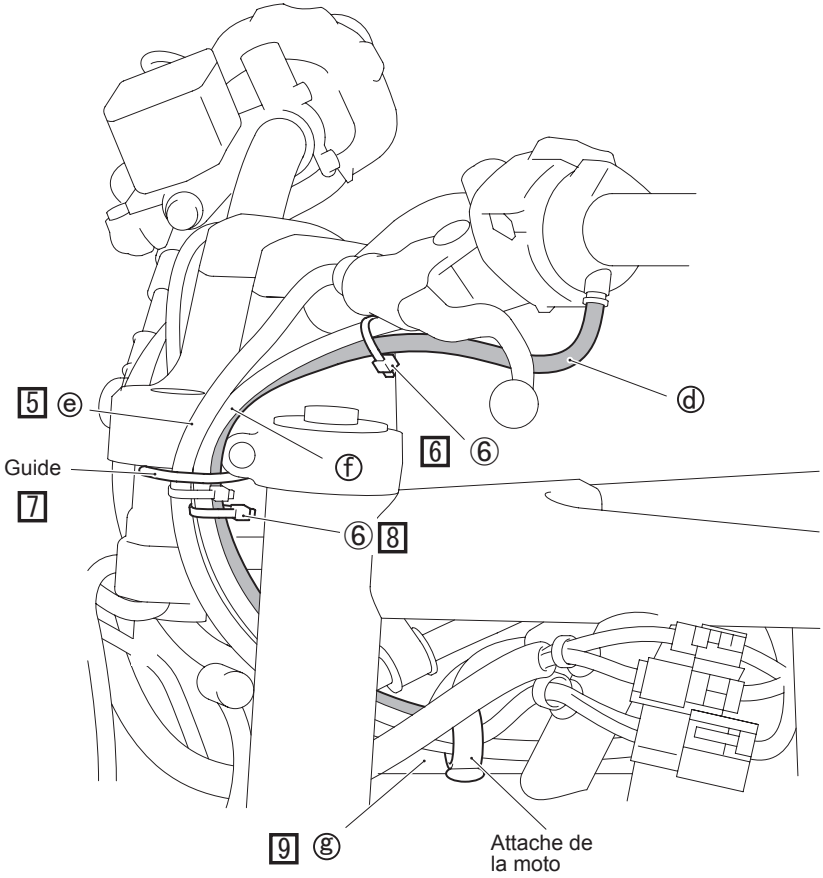


- Vérifiez qu'il n'y ait pas de tension excessive ni de jeu notable dans les fils conducteurs des chauffe-poignée (G)/(D) ① , ② .
- Coupez la section excédentaire de l'attache ⑥ .
- Vérifiez que l'extrémité du collier à pince n'est pas en contact avec d'autres pièces à l'arrêt de la direction.

Vue: A



Vue: B



Câblage, flexible et câble

- | |
|--|
| a. Câble de la poignée chauffante (D) ② |
| b. Fil conducteur de contacteur de la poignée droite |
| c. Flexible de frein avant |
| d. Câble de la poignée chauffante (G) ① |
| e. Câble d'embrayage |
| f. Câble du commodo de la poignée gauche |
| g. Faisceau principal |

Fonctionnement

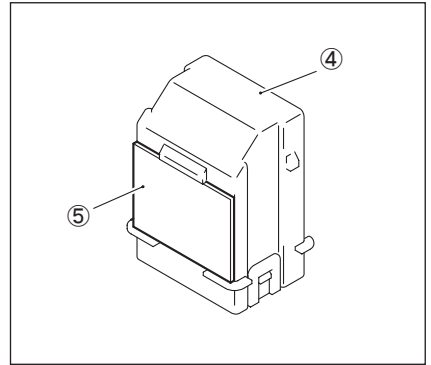
- | |
|--|
| ①. Acheminez "a" le long de "b". (Vue : A) |
| ②. Faites passer "a" par le guide. (Vue : A) |
| ③. Fixez "a" sur "b" et le fil du contacteur d'allumage avec le collier à pince ⑥. (Vue : A)
※1 : Attachez-les à moins de 10-15 mm du collier de la moto. |
| ④. Fixez "a" sur "b" et le fil du contacteur d'allumage avec le collier à pince ⑥. (Vue : A)
※2 : Attachez-les à moins de 10-15 mm du collier de la moto. |
| ⑤. Acheminez "d" le long de "e" et "f". (Vue : B) |
| ⑥. Fixez "d" sur "f" avec l'attache ⑥. (Vue : B) |
| ⑦. Faites passer "d" par le guide. (Vue : B) |
| ⑧. Fixez "d" sur "f" avec l'attache ⑥. (Vue : B)
※2 : Attachez-les à moins de 10-15 mm du collier de la moto. |
| ⑨. Fixez "d" à "g" avec "e" et "f" avec l'attache de la moto. (Vue : B) |

Installation du fil conducteur du chauffe-poignée ③ et du contrôleur de chauffe-poignée ④

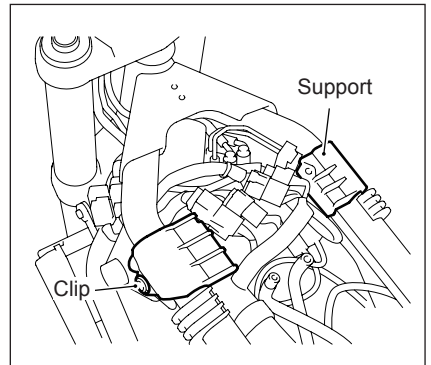
1. Fixer la fixation ⑤ sur le contrôleur des poignées chauffantes ④.



Appliquez l'apprêt sur la surface de fixation et fixez l'attache ⑤ après le séchage.



2. Retirez les clips du support et mettez-le de côté.



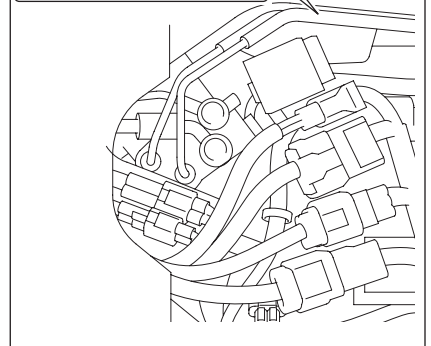
3. Fixez la fixation ⑤ sur la plaque sous le support sur le côté droit du cadre.



Appliquez l'apprêt sur la surface de fixation et fixez l'attache ⑤ après le séchage.



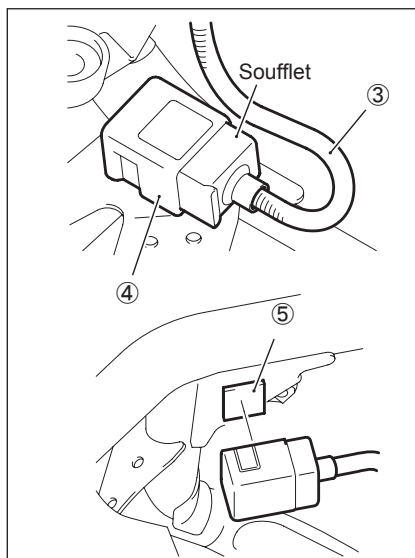
Fixez l'attache ⑤ parallèlement à la ligne de soudure du cadre.



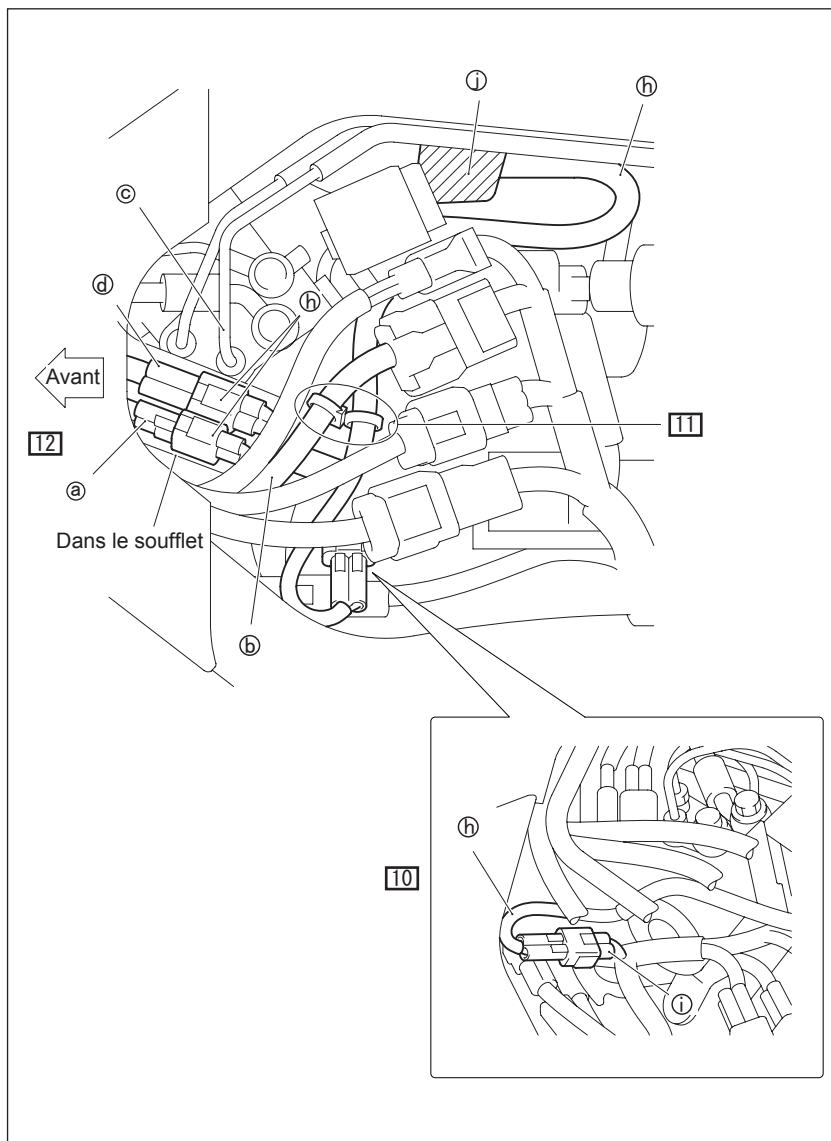
- Connectez le contrôleur du chauffe-poignée ④ au fil conducteur du chauffe-poignée ③, et fixez-le à l'attache ⑤ qui a été fixée à l'étape 3.



Après avoir connecté le contrôleur du chauffe-poignée ④ au fil conducteur du chauffe-poignée ③, assurez-vous de placer le soufflet dans le contrôleur du chauffe-poignée ④.



Acheminez et fixez le fil conducteur de chaque pièce comme indiqué sur l'illustration.



Câblage, flexible et câble

- | |
|--|
| a. Câble de la poignée chauffante (D) ② |
| b. Fil conducteur de contacteur de la poignée droite |
| c. Flexible de frein avant |
| d. Câble de la poignée chauffante (G) ① |
| h. Câble des poignées chauffantes ③ |
| i. Faisceau principal |
| j. Contrôleur des poignées chauffantes ④ |

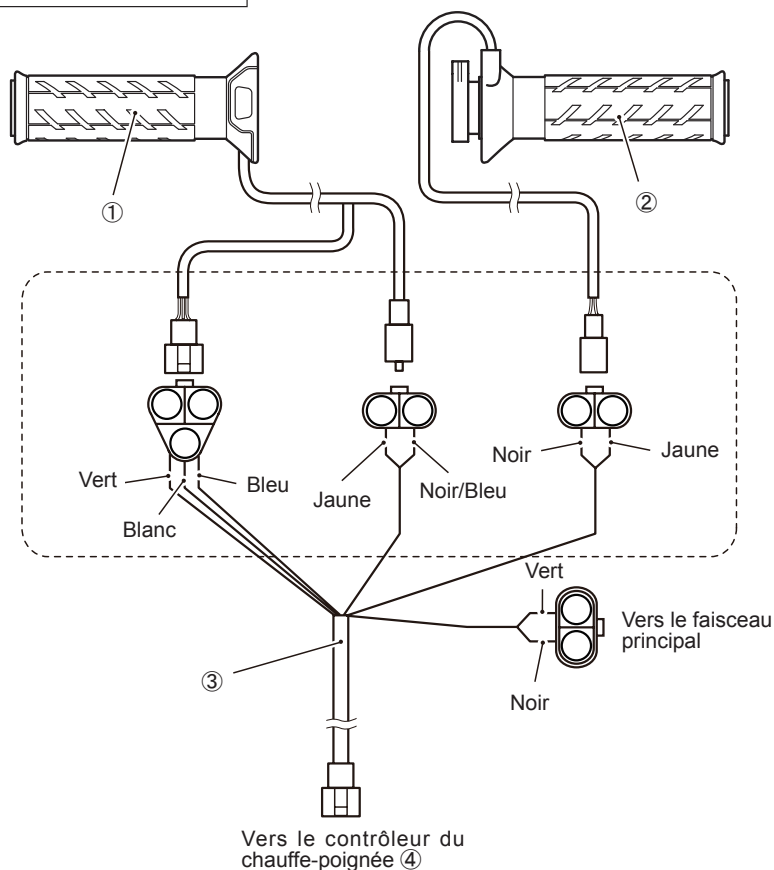
Fonctionnement

- | |
|---|
| 10 . Connectez "h" à "i". Faites passer "h" sous le support. |
| 11 . Fixez "d" avec le collier en 8 qui est fixé sur "h". |
| 12 . Connectez "a" et "d" à "h". Placez l'excédent de fil dans le soufflet.
※ Placez le soufflet entre la durite de frein et le fil de contacteur à la poignée droite. |

5. Réinstallez le support qui a été remis à l'étape 2 dans sa position d'origine.



Placez le fil de la poignée chauffante ③ sous le support.
--

Schéma de câblage


6. Mettez en marche le chauffe-poignée et vérifiez s'il fonctionne correctement.



Pour les instructions sur le chauffe-poignée, voir page 25.

7. Installez les pièces de la moto dans l'ordre inverse de leur retrait.
(Se reporter au manuel d'entretien GSX800.)



Vérifiez l'ajustement de chaque pièce attachée avant la conduite.

Vérification et contrôle du fonctionnement

1. Vérifiez si le fil conducteur n'est pas soumis à une force excessive lorsque la poignée des gaz est complètement ouverte, ou lorsque le guidon est tourné complètement vers la droite et vers la gauche.
2. Vérifiez la bonne adhérence de la poignée chauffante gauche.

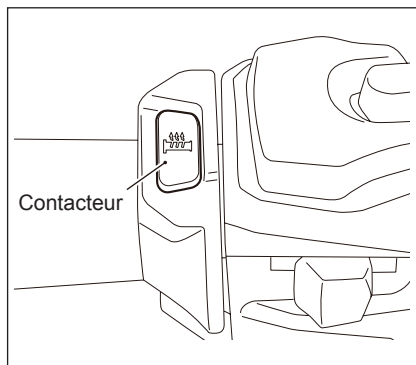
Après le démarrage du moteur

1. Vérifiez si les appareils d'éclairage tels que la lampe frontale fonctionnent correctement.
2. Vérifiez si la température du chauffe-poignée change en appuyant sur le commutateur et en changeant le témoin de LEVEL 3 à LEVEL 1.

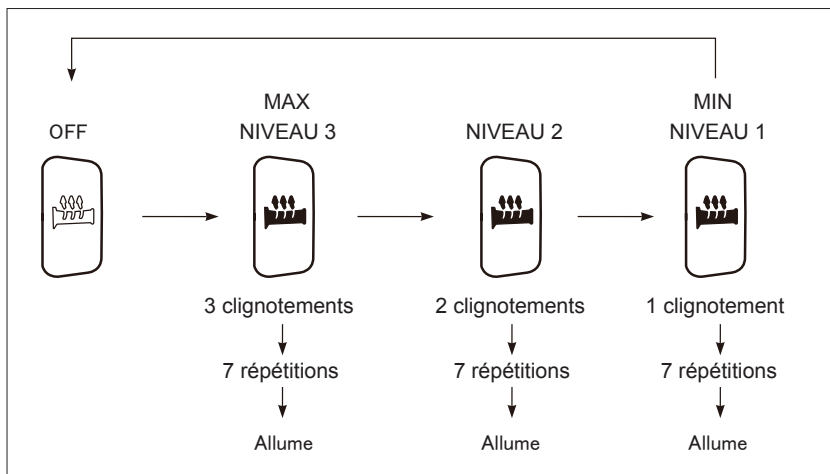
Méthode d'utilisation

Démarrez le moteur, actionnez le commutateur du chauffe-poignée, puis le chauffe-poignée se met en marche et chauffe.

En fonction de la température de l'air, la température du chauffe-poignée peut être réglée sur 3 niveaux LEVEL 3 à LEVEL 1.



La température des poignées chauffantes peut être réglée selon trois niveaux en appuyant sur le contacteur. Appuyez sur le contacteur pour changer la température comme suit :



ATTENTION

- **Veillez à porter des gants pour éviter les brûlures.**
- **N'utilisez pas le chauffe-poignée lorsque la température de l'air est supérieure à 20 degrés pour éviter les brûlures dues à une surchauffe.**
- **Remplacez les poignées endommagées pour éviter des brûlures ou un choc électrique.**



- *Les poignées chauffantes disposent d'un contacteur automatique intégré pour éviter toute consommation inutile de courant de batterie. Le contacteur automatique coupe le chauffage des poignées chauffantes quand le régime du moteur est inférieur au régime de ralenti. Lorsque le régime du moteur et la tension de la batterie augmentent, le contacteur automatique active le chauffage des poignées chauffantes et le voyant se rallume.*
- *Appuyer sur le contacteur ne permet pas d'activer le chauffage des poignées chauffantes si le régime du moteur est trop bas. Augmentez le régime du moteur et appuyez à nouveau sur le contacteur pour activer le chauffage des poignées chauffantes.*

Si les poignées chauffantes ne fonctionnent pas normalement, faites les vérifications ci-après et consultez le concessionnaire SUZUKI auprès duquel vous avez acheté le produit.

- Les poignées chauffantes ne fonctionnent pas. Ou elles ne peuvent pas être réglées.
 1. Le voyant du contacteur des poignées chauffantes clignote-t-il ?
 2. Le moteur est-il démarré ?
 3. Le contacteur des poignées chauffantes est-il réglé sur une position entre
NIVEAU 1 ⇔ NIVEAU 3 ?
- La température des poignées chauffantes est trop basse ou trop élevée.
 1. Avez-vous réglé le contacteur des poignées chauffantes entre
NIVEAU 1 ⇔ NIVEAU 3 ?
 2. Lorsque la température est trop élevée, réglez le contacteur sur
NIVEAU 1 ou OFF, ou portez des gants épais.
- Selon le lieu, il est possible que les performances/sensations offertes par les poignées chauffantes soient différentes.
 1. Il ne s'agit pas d'un dysfonctionnement.
- Le voyant du contacteur du chauffe-poignée clignote.
 1. La tension de la batterie est trop faible.
Rechargez complètement la batterie ou remplacez-la par une neuve.
Le voyant clignote lorsque la tension de la batterie devient faible, même si le contacteur des poignées chauffantes est désactivé.

**Précautions
de manipu-
lation**



N'utilisez pas de nettoyeur à haute pression pour laver votre moto, car cela pourrait provoquer une panne du chauffe-poignée.

Beschreibung: **GRIFFHEIZUNG**

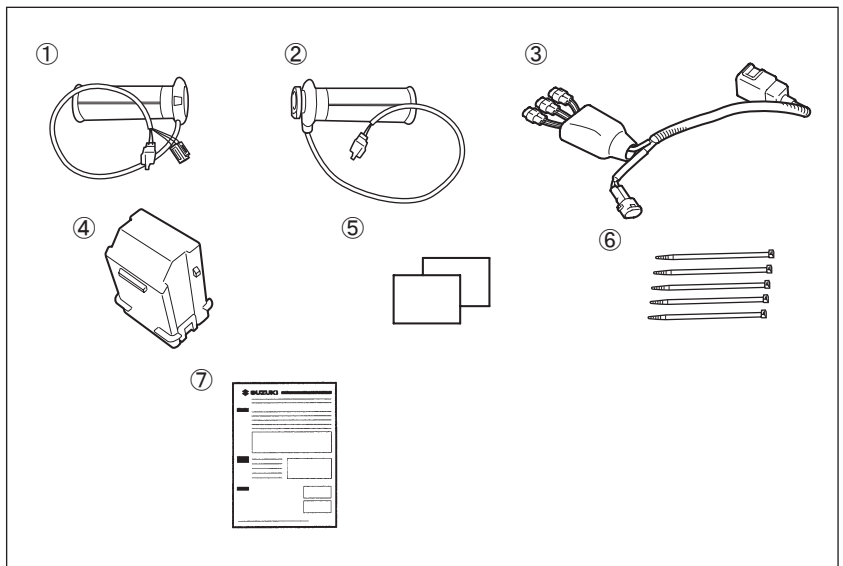
Teil-Nr. : 57100-2581*

Verwendungen: GSX800 M3-

Montagezeit : 1,5 H

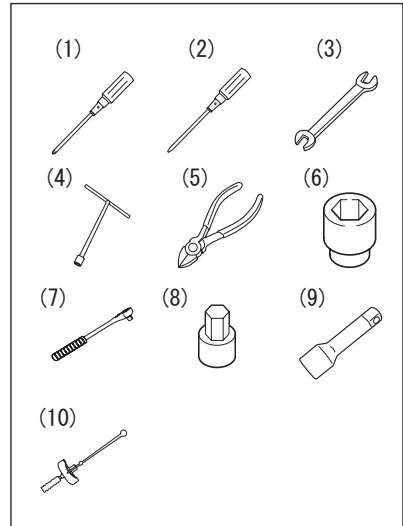
Inhalt

Nr.	Beschreibung	Stck
①	Griffheizung (L)	1
②	Griffheizung (R)	1
③	Griffheizungszuleitungskabel	1
④	Griffheizungssteuerung	1
⑤	Befestiger	2
⑥	Klemme	5
⑦	Montageanleitung	1

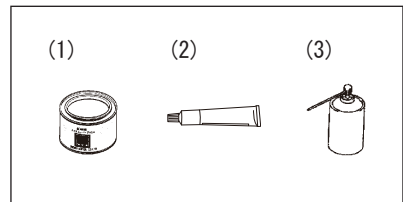


**Notwendige
Werkzeuge**

Nr.	Beschreibung
(1)	⊕ Schlitzschraubendreher
(2)	⊖ Schlitzschraubendreher
(3)	Gabelschlüssel (10 mm, 17mm)
(4)	T-Schlüssel (10 mm)
(5)	Schneidezange
(6)	Innensechskant-Steck- schlüssel (10 mm)
(7)	Ratschengriff
(8)	Steckschlüsseleinsatz mit Sechskant (4mm, 5mm, 6mm, 8mm, 10mm)
(9)	Verlängerung
(10)	Drehmomentschlüssel


**Vom
Kunden
bereitzust-
ellende
Artikel**

Nr.	Beschreibung
(1)	ECSTAR SUPER GREASE (A) oder gleichwertig [99000-25480 empfohlen]
(2)	Griffkleber [THREE BOND 1530P emp- fohlen]
(3)	Fettlöser



Wichtig
▲ WARNUNG / ▲ VORSICHT / HINWEIS / ANMERKUNG

Lesen Sie bitte dieses Handbuch und befolgen Sie die darin enthaltenen Anweisungen genau. Das Symbol ▲ und die Schlüsselwörter **WARNUNG**, **VORSICHT**, **HINWEIS** sowie **ANMERKUNG** werden zur Betonung spezieller Informationen verwendet. Beachten Sie insbesondere Informationen, die durch die folgenden Schlüsselwörter gekennzeichnet sind:

▲ WARNUNG

Weist auf eine mögliche Gefahr hin, die tödlich ausgehen oder schwere Verletzungen verursachen kann.

▲ VORSICHT

Weist auf eine mögliche Gefahr hin, die leichte bis mittelschwere Verletzungen verursachen kann.

HINWEIS

Weist auf eine mögliche Gefahr hin, die zu Fahrzeug- und Ausrüstungsschäden führen kann. ⇨ ⓘ

ANMERKUNG

Kennzeichnet Informationen, die Wartungsarbeiten erleichtern bzw. Anweisungen verdeutlichen sollen. ⇨ ⓘ

**Wichtige
hinweise zur
montage**

1. Prüfen, ob der Satz alle auf der ersten Seite aufgeführten Teile enthält.
2. Jedes Teil im Satz auf Kratzer und Beschädigung überprüfen.
3. Das Fahrzeug auf ebenem Untergrund parken.
4. Den Zündschlüssel abziehen und an sicherer Stelle aufbewahren.
5. Das Minuskabel (-) von der Batterie abklemmen.
6. Abgenommene oder zu montierende Teile nicht einfach auf den Boden, sondern auf einen weichen Lappen legen, damit sie nicht verkratzt werden.
7. Darauf achten, dass die Fahrzeugkarosserie bei der Montage des Zubehörs nicht beschädigt wird.



Siehe die Wartungsanleitung des GSX800, wenn Sie STD-Teile aus- oder einbauen.

*** STD-Teile = Bauteile des SUZUKI-Motorrads**

**Anzugs-
drehmo-
ment**

Ziehen Sie die Schrauben mit dem in der Tabelle rechts angegebenen Drehmoment als Standardwert an, sofern nicht ausdrücklich anders angegeben.

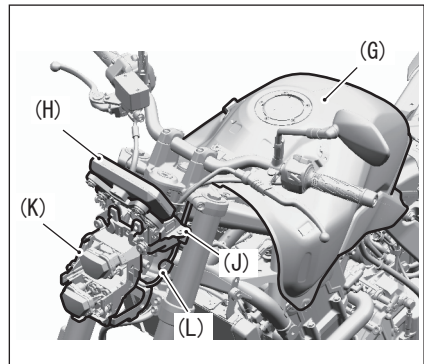
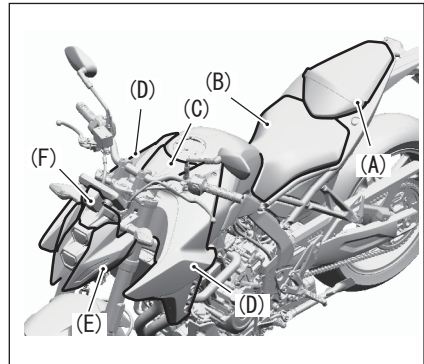
Der Wert steht konventionell auf dem mit „4“ gekennzeichneten Schraubenanzugsmoment.

Für andere Schrauben, die in der Tabelle nicht aufgeführt sind, siehe Wartungsanleitung.

Durchmesser (mm)	Anzugsdrehmoment	
	N·m	kgf·m
5	3,0	0,3
6	5,5	0,55
8	13,0	1,3
10	29,0	2,9

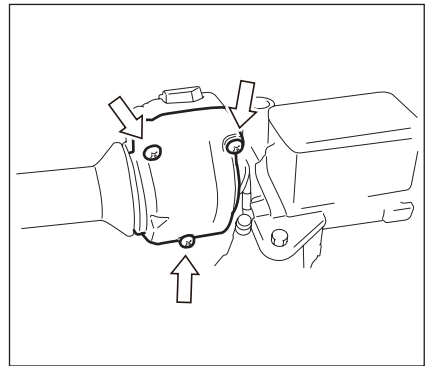
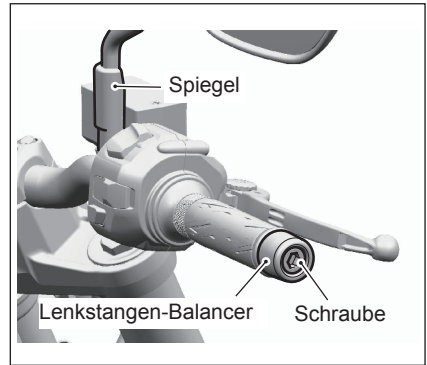
Montage
Ausbau von Motorradteilen

- Den Soziussitz (A), den Sitz (B), die Tankabdeckung (C), die obere Rahmenabdeckung (D), die Scheinwerferabdeckung (E) und die vordere Instrumentenabdeckung (F) entfernen.
- Den Kraftstofftank (G), den Tachometer (H), die hintere Instrumentenabdeckung (J), den Scheinwerfer (K) und die Scheinwerferabdeckungshalterung (L) entfernen.



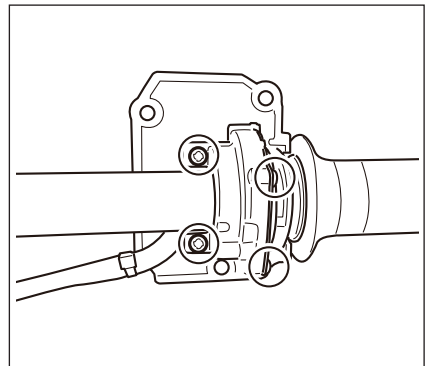
Montage der Griffheizung (R) ②

1. Das rechte Lenkerausgleichsstück ausbauen.
2. Den rechten Spiegel entfernen.
3. Die Schrauben lösen und das Schaltergehäuse an der rechten Lenkerseite entfernen.

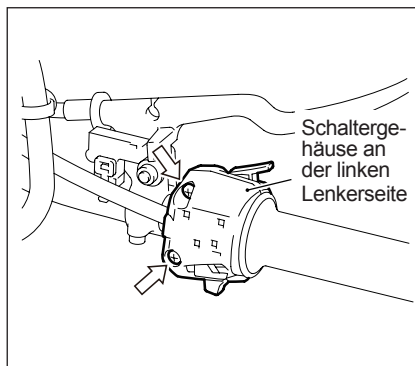


WARNUNG

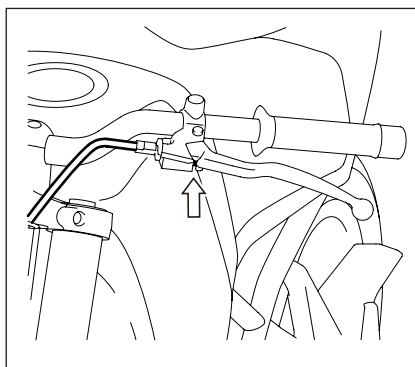
Niemals die Schrauben in der Schalterhalterung an der rechten Lenkerseite berühren.



- Die 2 Schrauben lösen und das Schaltergehäuse an der linken Lenkerseite entfernen.



- Nehmen Sie den Kupplungszug vom Kupplungshebel ab.



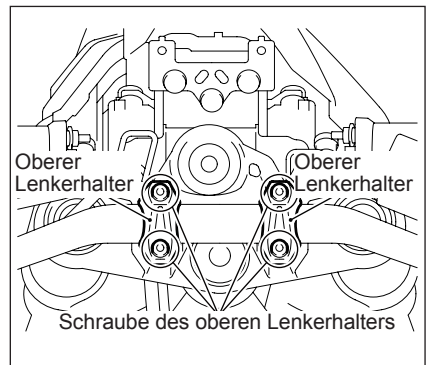
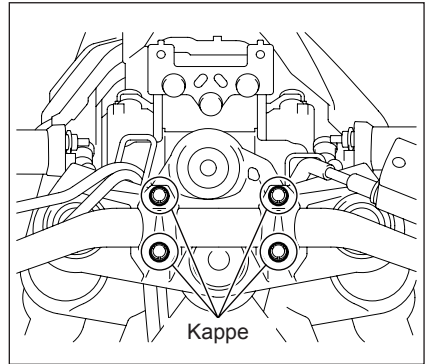
6. Die obere Griffhalterung entfernen und den Lenker aus der Griffhalterung heben.



- Legen Sie einen Lappen auf den Lenkerhalter, um ein Verkratzen des Lenkers zu verhindern.
- Einen Lappen auf den Tachometer legen, um ein Zerkratzen des Tachometers zu vermeiden.

⚠ WARNUNG

Drehen Sie die Baugruppe des VorderradHauptbremszylinders nicht verkehrt herum.



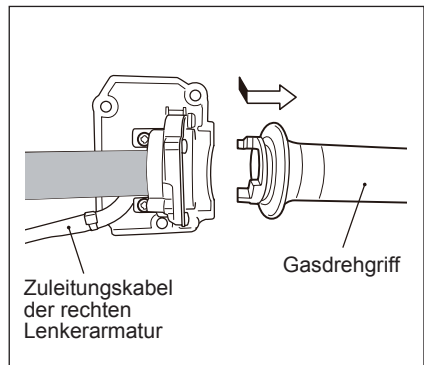
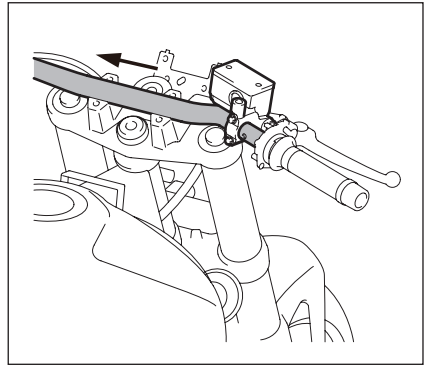
7. Den Lenker zur linken Seite des Motorrads bewegen, die Schalterhalterung an der rechten Lenkerseite und den Gasgriff zum Lenkerende bewegen und nur den Gasgriff entfernen.

⚠ WARNUNG

- Ziehen Sie niemals gewaltsam am Zuleitungskabel der rechten Lenkerarmatur. Anderenfalls kann dies dazu führen, dass das Zuleitungskabel der rechten Lenkerarmatur durchtrennt wird.
- Ziehen Sie niemals gewaltsam am Vorderrad-Bremschlauch. Anderenfalls kann dies zum Bruch des Vorderrad-Bremschlauchs führen.



Der Gasgriff wird nicht wiederverwendet.



8. Den Lenker in der umgekehrten Reihenfolge des Schritts 6 wieder anbringen.



Schraube des oberen Lenkerhalters:

23N·m (2,3 kgf·m)

9. Den Kupplungszug am Kupplungshebel anbringen und das Kupplungsspiel einstellen.
10. Das Schaltergehäuse an der linken Lenkerseite wieder am Motorrad anbringen.

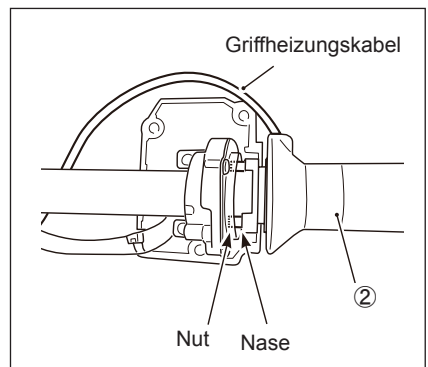


**Stets das GSX800
Wartungshandbuch
befolgen.**


11. Schmierfett auf den rechten Lenker auftragen.

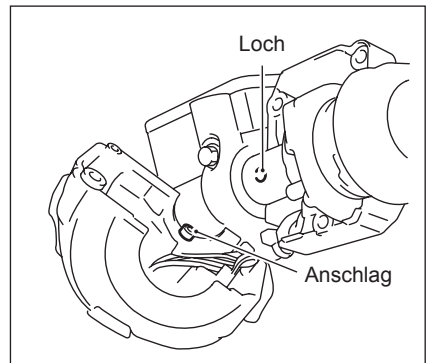
**ECSTAR SUPER GREASE A oder
gleichwertig**

12. Die Griffheizung (R) ② mit dem Kabel nach oben weisend einbauen, sodass die Nase in die Nut der Schalterhalterung an der rechten Lenkerseite passt.



13. Den Anschlag der Schalterbox auf die Positionierungsöffnung im Lenker ausrichten und dann die Schraube festziehen.

 **Schraube : 3N·m
(0,3 kgf·m)**



**Nach dem Festziehen der
Schrauben des Schalerge-
häuses an der rechten Len-
kerseite sicherstellen, dass
das Schalergehäuse nicht
klappert.**

14. Das Griffheizungskabel (R) ② wie abgebildet vor dem Lenker entlangführen und zwischen dem Schaltergehäuse der rechten Lenkerseite und der Klemme des Hauptzylinders der Vorderradbremse hindurchführen.

Den Teil des Griffheizungskabels (R) ② mit dem weißen Klebeband zwischen den Schrauben des Hauptzylinders der Vorderradbremse ausrichten und mit der Schelle ⑥ sichern.



Das Griffheizungskabel (R) ② vor dem Lenker verlegen und wie abgebildet sichern.

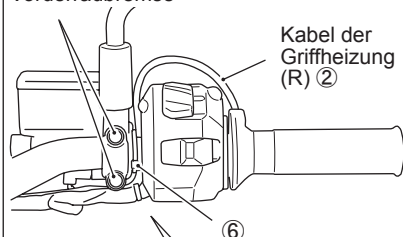


- **Das Griffheizungskabel (R) ② mit der Schelle ⑥ sichern.**
- **Kontrollieren, dass sich das Kabel nicht bewegt, wenn der Gasgriff betätigt wird.**



Den Überhang an der Schelle ⑥ abschneiden.

Schrauben des Hauptzylinders der Vorderradbremse



Kabel der Griffheizung (R) ②



15. Das Lenkerausgleichsstück und den Spiegel wieder anbringen.

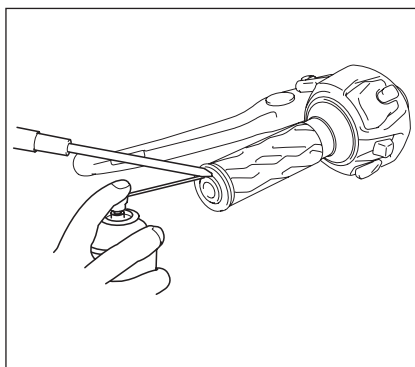
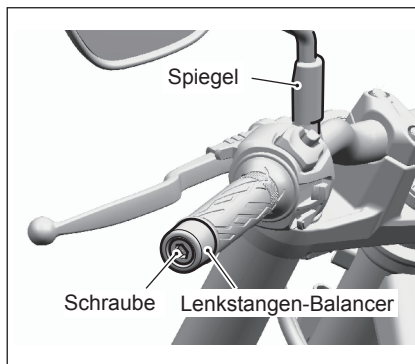
 **Schraube des Lenkstangen-Balancers: 23N·m (2,3 kgf·m)**

 **WARNUNG**

Sicherstellen, dass das Kabel nicht gespannt wird, es keinen Kontakt mit anderen Teilen hat, dass es bei Betätigung nirgendwo festhängt usw., wenn der Gasdrehgriff, die Hebel und Schalter betätigt werden oder die Lenkung im Stand bewegt wird.

Montage der Griffheizung (L) ①

1. Das linke Lenker ausgleichsstück ausbauen.
2. Den linken Spiegel entfernen.
3. Den Spalt zwischen dem linken Lenkergriff und dem Lenker mit einem \ominus -Schraubendreher öffnen, dann Fettlöser einsprühen und den linken Lenkergriff abziehen.



Den \ominus -Schraubendreher vorsichtig verwenden, damit die Lenkeroberfläche nicht verkratzt wird.

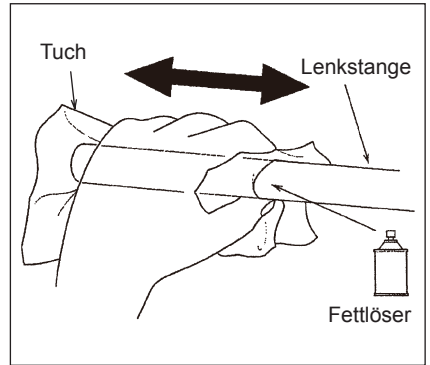


Der linke Gasgriff wird nicht wiederverwendet.

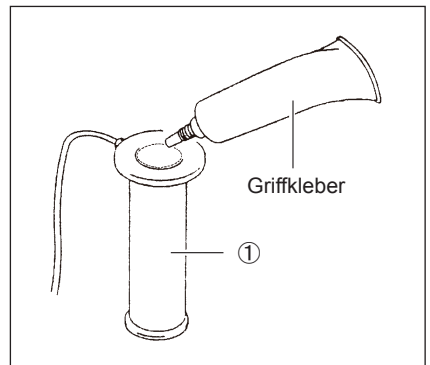
4. Wischen Sie den verbleibenden Klebstoff mit einem Fettlöser und einem Tuch vom Lenker ab.

ⓘ

Trocknen Sie den Lenker vollständig ab.



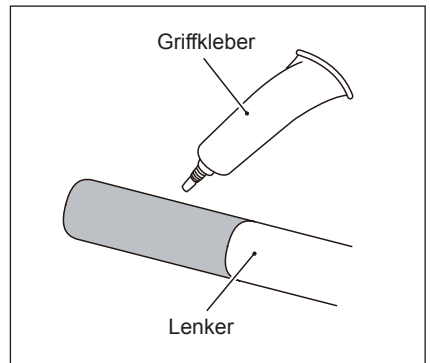
5. Reichlich Griffkleber gleichmäßig auf die Innenseite der Griffheizung (L) ① auftragen.
[Empfohlen: **THREE BOND 1530P**]



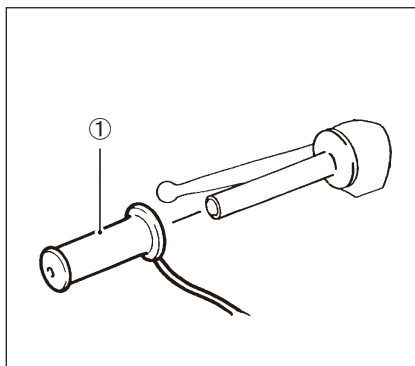
6. Tragen Sie Griffkleber auf die Oberfläche des Lenkers auf.
[Empfohlen: **THREE BOND 1530P**]

ⓘ

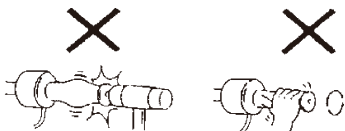
Wenn Kleber an der Endfläche des Lenkers haftet, wischen Sie ihn vor dem Trocknen vollständig mit einem Tuch ab.



7. Die Griffheizung (L) ① in einem Schub durch Drehen auf den Lenker aufschieben, bevor der Griffkleber trocknet.

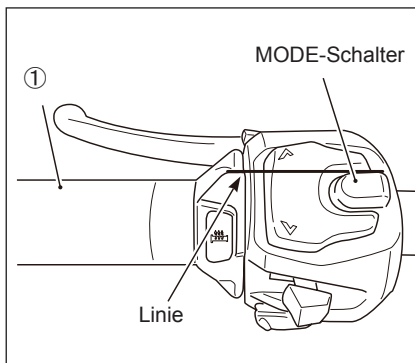


- Wenn der Griff aufgeschoben wird, nicht vorzeitig stoppen, sondern diesen in einer durchgehenden Bewegung aufschieben.
- Beim Aufschieben nicht mit einem Hammer gegen das Griffende schlagen oder es gewaltsam drehen, da hierdurch die Griffheizung abgetrennt werden kann.



- Wenn sich der Griff während des Aufschiebens nicht weiter bewegen lässt, den Griff abziehen, indem Sie Fettlöser in einen Spalt zwischen der Griffheizung und dem Lenker gießen. In diesem Fall muss darauf geachtet werden, das Kabel der Griffheizung nicht gewaltsam mit einem Schraubenzieher oder einem ähnlichen Werkzeug zu verdrehen, da hierdurch das Kabel im Inneren der Griffheizung abreißen kann.

Die Griffheizung (L) ① wie in der Abbildung gezeigt an der oberen Linie des MODE-Schalters ausrichten.



⚠ WARNUNG

- Es ist ein geeigneter Griffkleber zu verwenden und das angebrachte Teil muss gut trocknen. Abschließend muss überprüft werden, ob es sicher hält. Wenn der Kleber nicht vollständig durchgetrocknet ist oder wenn ein anderer Kleber verwendet wird, besteht die Gefahr, dass der Griff während der Fahrt abrutscht. Prüfen Sie, dass der Griff sicher am Lenker befestigt ist, bevor Sie mit dem Motorrad fahren.
- Das Griffheizungskabel muss sicher mit einer Schelle gesichert werden, sodass keine Spannung im Kabel des Gasgriffs zu spüren ist, wenn der Gasgriff betätigt wird.
- Das Kabel so festklemmen, dass das Gasgriffkabel nicht mit anderen Teilen in Kontakt kommt, wenn der Gasgriff betätigt wird.

8. Das Lenkerausgleichsstück und den Spiegel, die in Schritt 1 und 2 entfernt wurden, wieder anbringen.

 **Schraube des Lenkstangen-Balancers:**
23N·m (2,3 kgf·m)

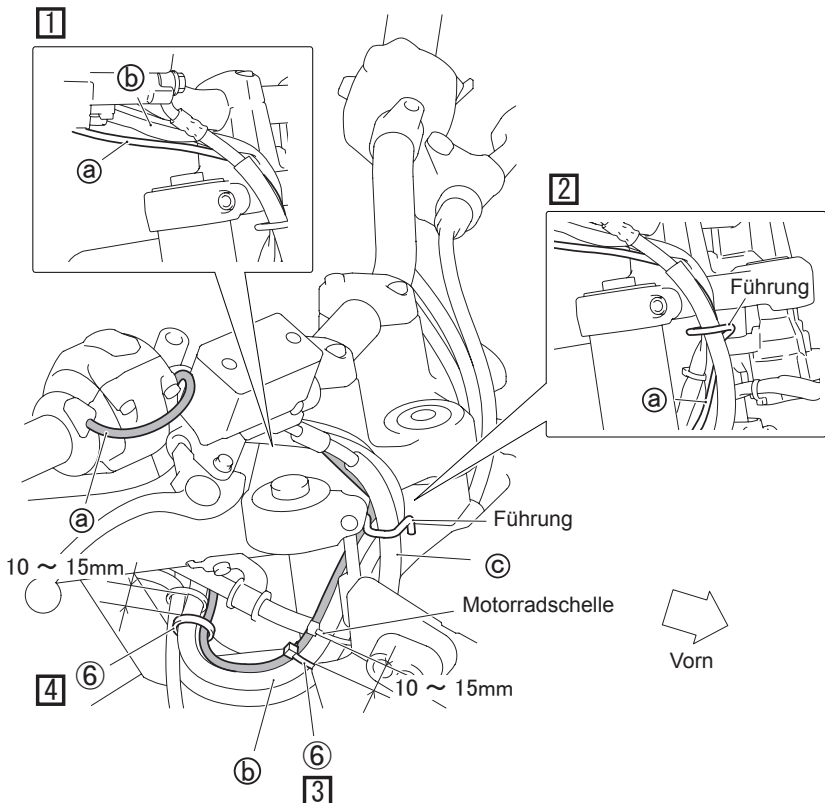
Anbringen der Griffheizungskabel (L) ① / (R) ②

Das Griffheizungskabel (L) ① / (R) ② wie in der Abbildung dargestellt verlegen und sichern.

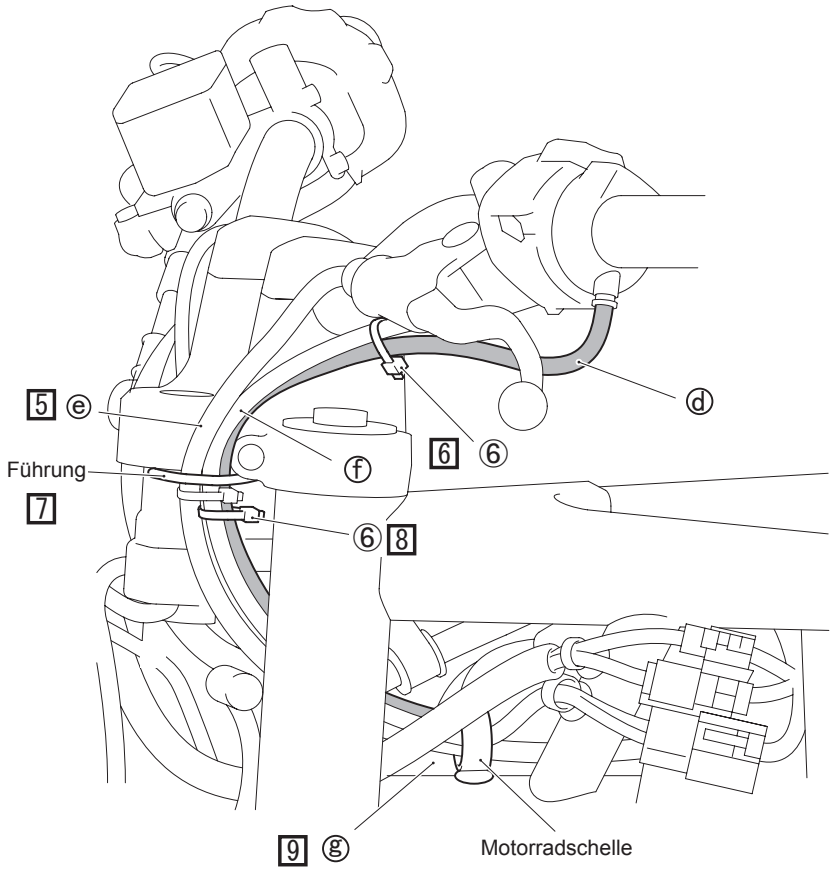


- Darauf achten, dass im rechten/linken Griffheizungskabel ① / ② keine übermäßige Spannung und kein übermäßiger Durchhang besteht.
- Den Überhang an der Schelle ⑥ abschneiden.
- Die Spitze der Klemme darf im stationären Lenkzustand nicht mit anderen Teilen in Berührung kommen.

Ansicht: A



Ansich: B



Verkabelung, Schlauch und Kabel
a. Zuleitungskabel der Griffheizung (R) ②
b. Kabel des rechten Lenkerschalters
c. Vorderrad-Bremsschlauch
d. Zuleitungskabel der Griffheizung (L) ①
e. Kupplungszug
f. Zuleitungskabel der linken Lenkerarmatur
g. Hauptkabelbaum

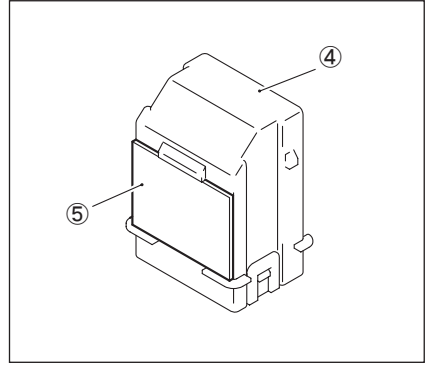
Vorgehensweise
①. "a" an "b" entlangführen. (Ansicht : A)
②. "a" durch die Führung führen. (Ansicht : A)
③. "a" an "b" und das Zündschalterkabel mit der Schelle ⑥ befestigen. (Ansicht : A) ※1 : Innerhalb von 10 - 15 mm von der Motorradsschelle festklemmen.
④. "a" an "b" und das Zündschalterkabel mit der Schelle ⑥ befestigen. (Ansicht : A) ※2 : Innerhalb von 10 - 15 mm von der Motorradsschelle festklemmen.
⑤. "d" an "e" und "f" entlangführen. (Ansicht : B)
⑥. "d" mit der Klemme ⑥ an "f" befestigen. (Ansicht : B)
⑦. "d" durch die Führung führen. (Ansicht : B)
⑧. "d" mit der Klemme ⑥ an "f" befestigen. (Ansicht : B) ※2 : Innerhalb von 10 - 15 mm von der Motorradsschelle festklemmen.
⑨. "d" an "g" mit "e" und "f" mit der Motorradsschelle befestigen. (Ansicht : B)

Anbringen des Griffheizungskabels ③ und der Griffheizungssteuerung ④

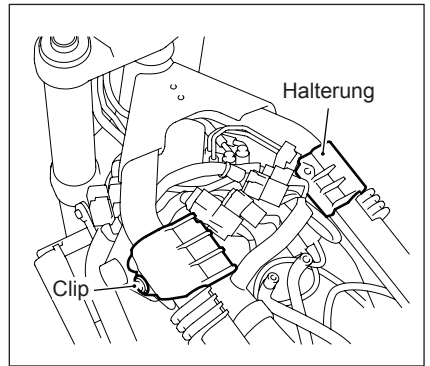
1. Den Befestiger ⑤ an der Griffheizungssteuerung ④ anbringen.



Grundierung auf die Befestigungsfläche auftragen und den Befestiger ⑤ nach dem Trocknen anbringen.



2. Die Clips der Halterung entfernen und diese zur Seite legen.



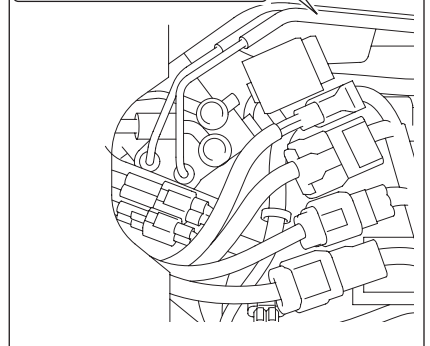
3. Den Befestiger ⑤ an der Platte unterhalb der Halterung auf der rechten Seite des Rahmens anbringen.



Grundierung auf die Befestigungsfläche auftragen und den Befestiger ⑤ nach dem Trocknen anbringen.



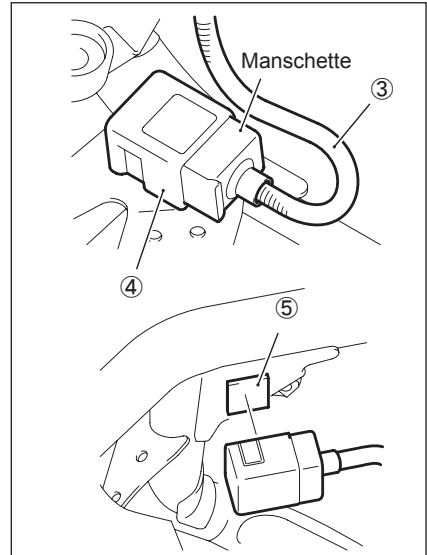
Den Befestiger ⑤ parallel zur Schweißlinie des Rahmens anbringen.



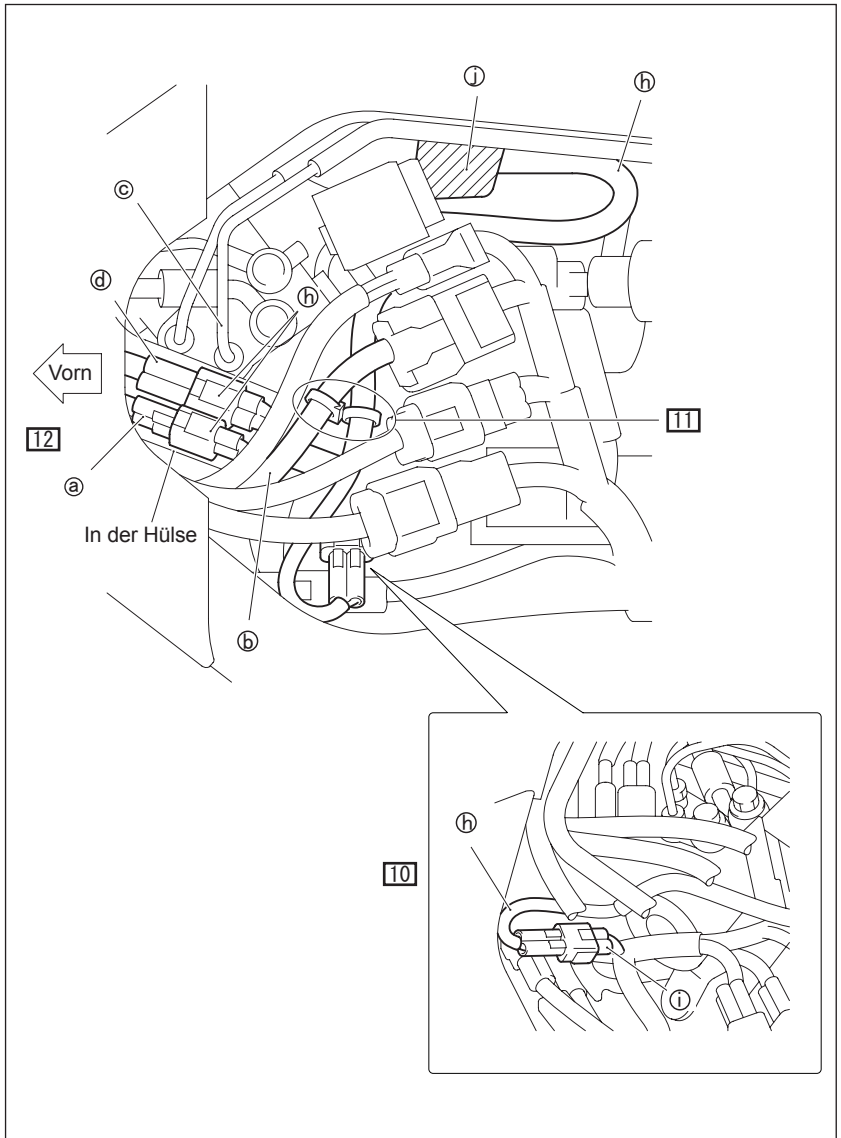
- Die Griffheizungssteuerung ④ am Griffheizungskabel ③ anschließen und am Befestiger ⑤ anbringen, die im Schritt 3 angebracht wurde.



Nachdem die Griffheizungssteuerung ④ mit dem Griffheizungs-zuleitungskabel ③ verbunden wurde, stets die Hülse an der Griffheizungssteuerung ④ anbringen.



Das Kabel für jedes Teil wie in der Abbildung gezeigt verlegen und sichern.



Verkabelung, Schlauch und Kabel

- | |
|---|
| a. Zuleitungskabel der Griffheizung (R) ② |
| b. Kabel des rechten Lenkerschalters |
| c. Vorderrad-Bremsschlauch |
| d. Zuleitungskabel der Griffheizung (L) ① |
| h. Griffheizungszuleitungskabel ③ |
| i. Hauptkabelbaum |
| j. Griffheizungssteuerung ④ |

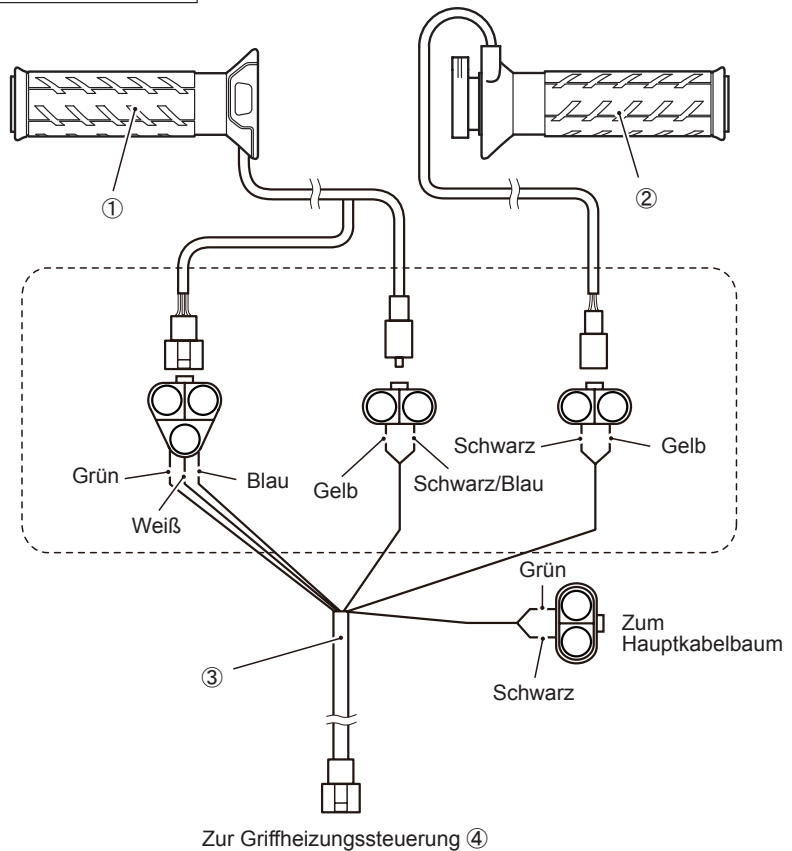
Vorgehensweise

- | |
|---|
| 10 . "h" mit "i" verbinden. "h" unterhalb der Halterung verlegen. |
| 11 . "d" mit den 8-förmigen Schelle befestigen, die an "h" angebracht ist. |
| 12 . "a" und "d" an "h" anschließen. Das überschüssige Kabel in die Hülse stecken.
※ Die Hülse in den Zwischenraum zwischen dem Bremsschlauch und dem rechten Lenkerschalterkabel legen. |

5. Die im Schritt 2 verschobene Halterung wieder an der ursprünglichen Position anbringen.



Das Griffheizungskabel ③ unterhalb der Halterung anbringen.
--

Schaltplan


- Die Griffheizung einschalten und prüfen, ob sie ordnungsgemäß funktioniert.



Für Anweisungen zur Griffheizung, siehe Seite 25.

- Die Motorradteile in umgekehrter Ausbaureihenfolge wieder einbauen. (Siehe die Wartungsanleitung für die GSX800.)



Prüfen Sie die Montage jedes angebrachten Teils vor der Fahrt.

Funktionsprüfung und Inspektion

1. Prüfen, dass das Kabel bei ganz geöffnetem Gasgriff keiner übermäßigen Kraft ausgesetzt ist, oder wenn der Lenker ganz nach rechts und links gedreht wird.
2. Prüfen Sie die linke Griffheizung auf ihre sichere Haftung.

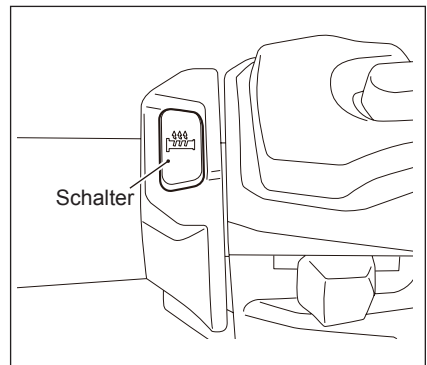
Nach dem Starten des Motors

1. Prüfen, ob die Beleuchtung wie etwa der Scheinwerfer richtig funktionieren.
2. Prüfen, ob sich die Temperatur der Griffheizung durch Drücken des Schalters und Ändern der Anzeige von STUFE 3 auf STUFE 1 ändert.

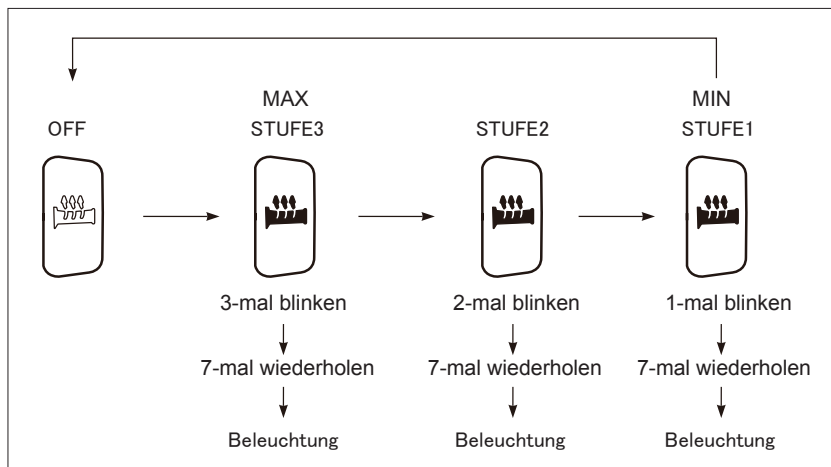
Handhabung

Den Motor starten und den Schalter der Griffheizung betätigen. Die Griffheizung schaltet sich ein und wird warm.

Die Temperatur der Griffheizung kann je nach Lufttemperatur in 3 Stufen von STUFE 3 bis STUFE 1 eingestellt werden.



Die Griffheizungstemperatur kann durch Drücken des Schalters über drei Stufen eingestellt werden. Beim Drücken des Schalters wird die Temperatur wie folgt geändert:



⚠ VORSICHT

- Es müssen Handschuhe getragen werden, um Verbrennungen zu vermeiden.
- Die Griffheizung nicht verwenden, wenn die Lufttemperatur über 20 Grad liegt, um Verbrennungen durch Überhitzung zu vermeiden.
- Beschädigte Griffe sind auszutauschen, um Verbrennungen oder Stromschläge zu vermeiden.



- Die Griffheizung ist mit einem integrierten automatischen Schalter ausgestattet, um eine unnötige Belastung der Batterie zu verhindern. Der automatische Schalter schaltet die Griffheizung aus, wenn sich die Drehzahl im Leerlauf verringert. Wenn die Motordrehzahl steigt und die Batteriespannung zunimmt, wird die Griffheizung über den automatischen Schalter eingeschaltet und die Anzeige kehrt zurück.
- Wenn der Schalter bei niedriger Motordrehzahl gedrückt wird, wird die Griffheizung nicht eingeschaltet. Zum Einschalten der Griffheizung die Motordrehzahl erhöhen und den Schalter nochmals drücken.

Wenn die Griffheizung nicht normal funktioniert, überprüfen Sie die folgenden Punkte und wenden Sie sich an Ihren SUZUKI-Händler, bei dem Sie das Produkt erworben haben.

- Griffheizung arbeitet nicht. Oder sie lässt sich nicht einstellen.
 1. Blinkt die Griffheizungsschalterleuchte?
 2. Wurde der Motor gestartet?
 3. Befindet sich der Griffheizungsschalter in einer Stellung zwischen STUFE1 ↔ STUFE3?

- Die Griffheizungstemperatur ist zu niedrig oder zu hoch.
 1. Wurde der Griffheizungsschalter auf eine Stellung zwischen STUFE1 ↔ STUFE3?
 2. Den Schalter auf STUFE1 oder AUS stellen oder dicke Handschuhe anlegen, wenn die Temperatur zu hoch ist.

- Die Griffheizung kann sich je nach Standort unterschiedlich verhalten/anfühlen.
 1. Dies ist keine Funktionsstörung.

- Die Leuchte des Griffheizungsschalters blinkt.
 1. Zu niedrige Batteriespannung.

Laden Sie die Batterie vollständig auf oder ersetzen Sie sie durch eine neue Batterie.

Auch wenn der Schalter der Griffheizung ausgeschaltet ist, blinkt die Anzeige im Falle einer zu geringen Batteriespannung.

**Vorsichts-
maßnahmen
zur Verwend-
ung**



Zum Waschen des Motorrads keinen Hochdruckreiniger verwenden, da dies zu einem Defekt der Griffheizung führen kann.

Descrizione: **RISCALDATORE MANOPOLA**

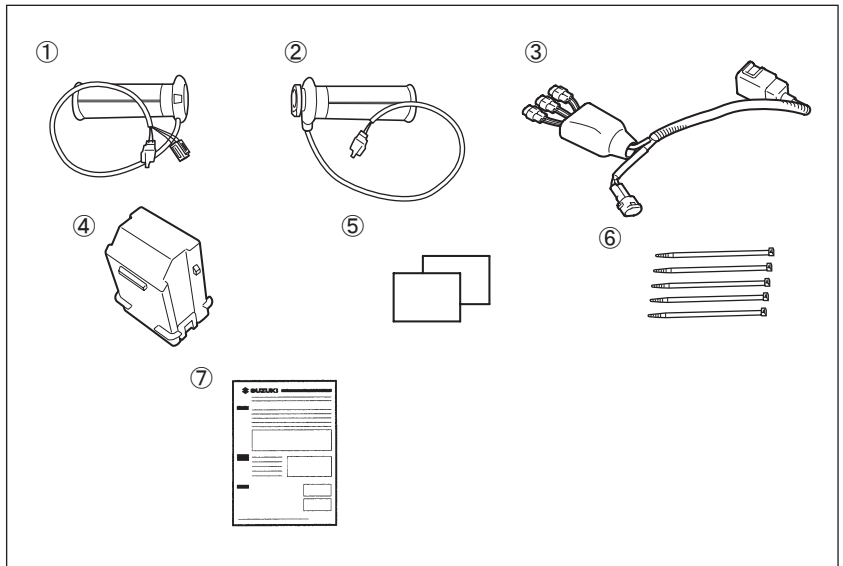
Codice : 57100-2581*

Applicazione: GSX800 M3-

Tempo di montaggio : 1,5 H

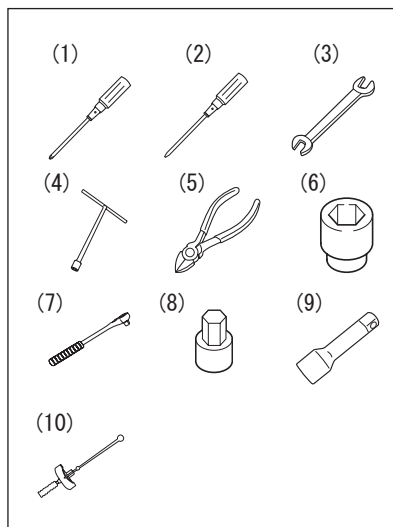
Contenuto

Rif.	Descrizione	Q.ta
①	Riscaldatore manopola (S)	1
②	Riscaldatore manopola (D)	1
③	Filo conduttore riscaldatore manopole	1
④	Controller riscaldatore manopola	1
⑤	Dispositivo di fissaggio	2
⑥	Fascetta	5
⑦	Istruzioni per l'installazione	1

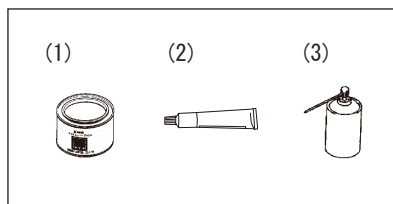


**Attrezzi
necessari**

Rif.	Descrizione
(1)	Cacciavite ⊕
(2)	Cacciavite ⊖
(3)	Chiave fissa (10 mm, 17mm)
(4)	Chiave a T (10 mm)
(5)	Pinze da taglio
(6)	Brugola (10 mm)
(7)	Chiave a cricchetto
(8)	Chiave esagonale (4mm, 5mm, 6mm, 8mm, 10mm)
(9)	Estensione
(10)	Chiave torsionometrica


**Articoli
forniti dal
cliente**

Rif.	Descrizione
(1)	ECSTAR SUPER GREASE A o equivalent [Consigliato 99000-25480]
(2)	Collante per manopola [Consigliato THREE BOND 1530P]
(3)	Agente sgrassante




Importante
⚠ ATTENZIONE / ⚠ AVVERTENZA / AVVISO / NOTA

Leggere questo manuale e seguire con attenzione le sue istruzioni. Il simbolo **⚠** e le parole **ATTENZIONE**, **AVVERTENZA**, **AVVISO** e **NOTA** enfatizzano la presenza di informazioni importanti. Fare attenzione particolare ai messaggi evidenziati da queste parole:

⚠ ATTENZIONE

Indica un pericolo che può portare alla morte o ferimenti gravi.

⚠ AVVERTENZA

Indica un pericolo che può portare a ferimenti lievi o moderati.

AVVISO

Indica un pericolo che può provocare danni al veicolo o ad altre attrezzature. ⇨ ⓘ

NOTA

Indica informazioni speciali per rendere più facile la manutenzione oppure per chiarire le istruzioni date. ⇨ ⓘ

**Precauzioni
per
l'installazione**

1. Controllare che il kit contenga tutte le parti elencate nella prima pagina.
2. Controllare che nessuna parte del kit abbia graffi o danni.
3. Parcheggiare il veicolo in un punto in piano.
4. Rimuovere la chiave di accensione dall'interruttore e conservarla in un luogo sicuro.
5. Scollegare il cavo negativo (-) dalla batteria.
6. Proteggere da graffi ogni elemento rimosso o da installare mettendolo su di un panno soffice steso a terra.
7. Fare attenzione a non danneggiare la scocca del veicolo durante l'installazione dell'accessorio.



Durante la rimozione o l'installazione delle parti STD, fare riferimento al manuale di manutenzione GSX800.

*** Parti STD = Componenti della motocicletta SUZUKI**

Coppia di serraggio

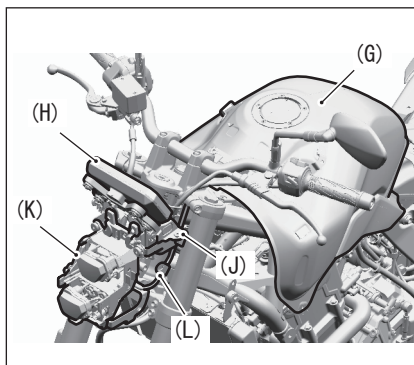
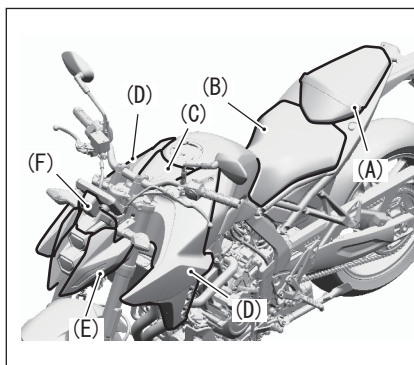
Stringere i bulloni alla coppia indicata nella tabella a destra come valore standard se non diversamente specificato.

I valori fanno riferimento alle "4" coppie di serraggio del bullone con- trassegnate come convenzionali. Per i bulloni non riportati nell'elenco in tabella, vedere il manuale di manutenzione.

Diametro (mm)	Coppia di serraggio	
	N·m	kgf·m
5	3,0	0,3
6	5,5	0,55
8	13,0	1,3
10	29,0	2,9

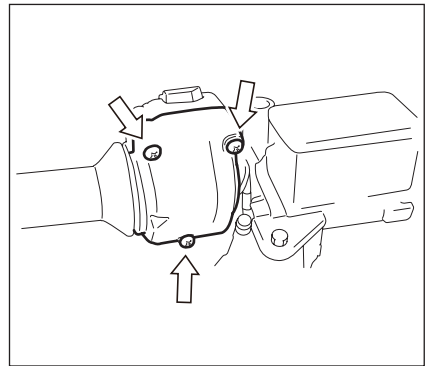
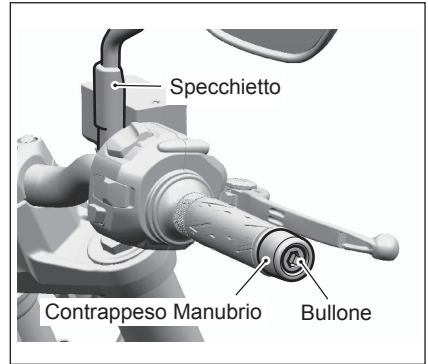
Installazione
Rimozione delle parti del veicolo

1. Rimuovere la sella posteriore (A), la sella (B), la copertura del serbatoio del carburante (C), la copertura del corpo del telaio superiore (D), il coperchio faro anteriore (E) e il coperchio pannello strumenti anteriore (F).
2. Rimuovere il serbatoio carburante (G), il tachimetro (H), il coperchio pannello strumenti posteriore (J), il faro anteriore (K) e la staffa del coperchio del faro anteriore (L).



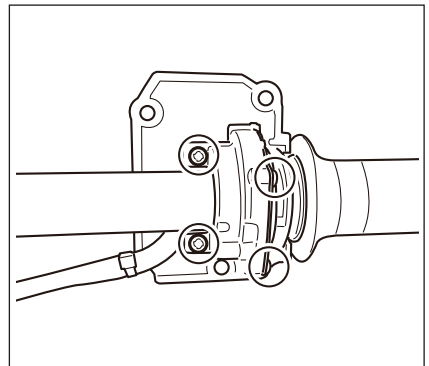
Installazione del riscaldatore manopola (D) ②

1. Rimuovere l'equilibratore manubrio destro.
2. Rimuovere lo specchietto destro.
3. Rimuovere le viti e rimuovere la scatola interruttori manopola destra.

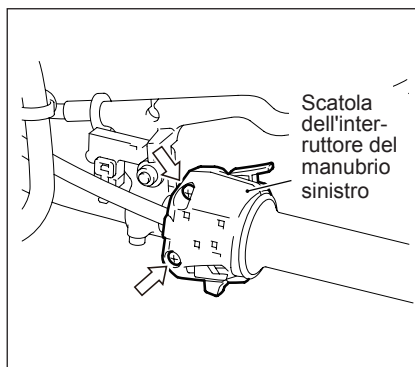


⚠ ATTENZIONE

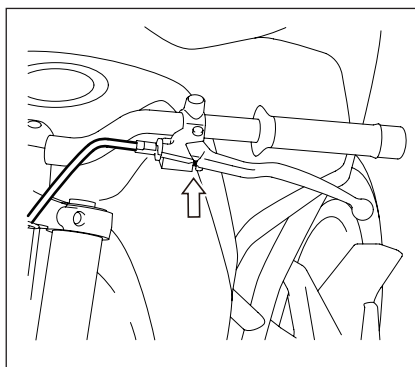
Non toccare mai le viti nel supporto interruttori manopola destra.



4. Rimuovere 2 viti e rimuovere la scatola interruttori manopola sinistra.



5. Rimuovere il cavo della frizione dalla leva della frizione.



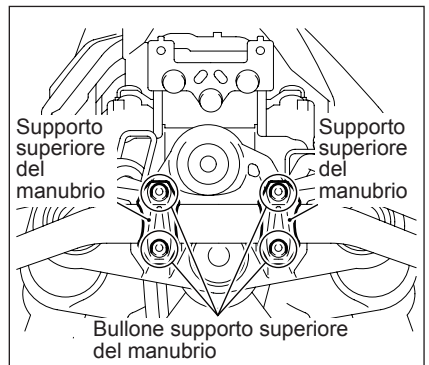
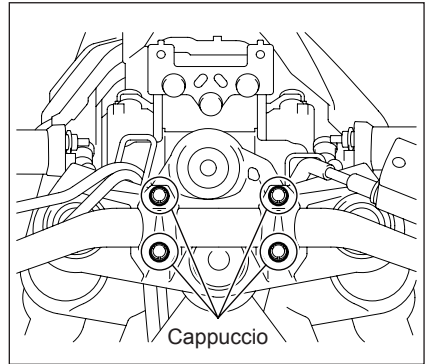
6. Rimuovere il supporto superiore manopola e sollevare la barra manopola dal supporto manopola.



- Posare un panno sul supporto del manubrio per evitare che si graffi.
- Appoggiare uno straccio sul tachimetro per evitare che il tachimetro si graffi.

⚠ ATTENZIONE

Non ribaltare il gruppo pompa del freno anteriore.



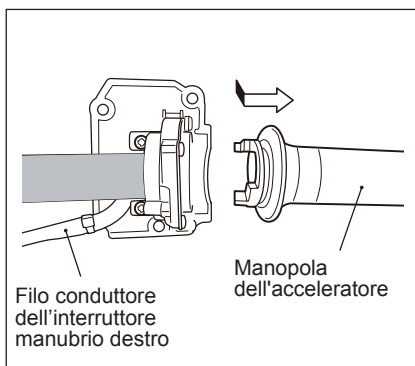
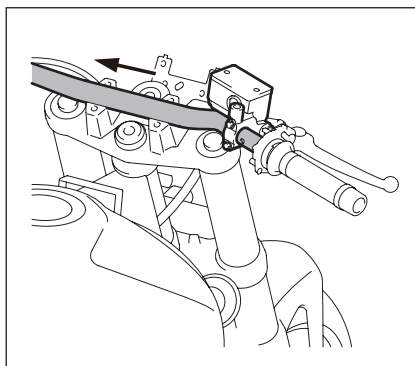
7. Spostare il manubrio verso il lato sinistro della motocicletta, spostare il supporto interruttori manopola destra e la manopola acceleratore verso l'estremità del manubrio, quindi rimuovere solo la manopola acceleratore.

⚠ ATTENZIONE

- Non estrarre mai il filo conduttore dell'interruttore del manubrio destro con forza. Ciò potrebbe provocare il taglio del filo conduttore dell'interruttore del manubrio destro.
- Non estrarre mai il tubo flessibile del freno anteriore con forza. Ciò potrebbe rompere il tubo flessibile del freno anteriore.



La manopola dell'acceleratore non verrà riutilizzata.



8. Reinstallare la barra manopola nell'ordine inverso rispetto al passaggio 6.

U Bullone supporto superiore del manubrio:

23N·m (2,3 kgf·m)

9. Installare il cavo frizione sulla leva frizione e regolare il gioco del cavo frizione.
10. Reinstallare la scatola interruttori manopola sinistra sulla motocicletta.

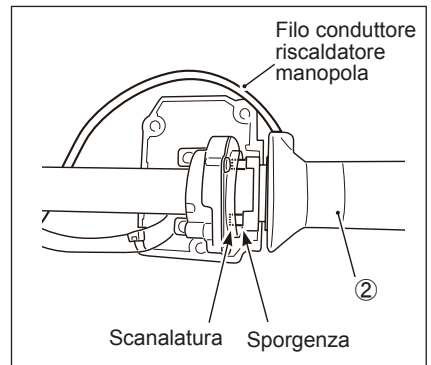


Assicurarsi di fare riferimento al manuale di manutenzione di GSX800.

11. Applicare grasso sul lato destro del manubrio.

ECSTAR SUPER GREASE A o equivalent

12. Installare il riscaldatore manopola (D) ② con il filo rivolto verso l'alto, in modo che il mozzo sia inserito nella scanalatura del supporto interruttori manopola destra.

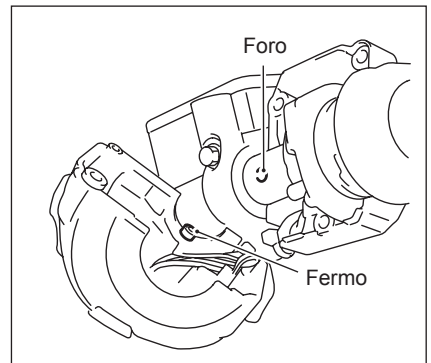


13. Allineare il fermo della scatola interruttori con il foro di posizionamento nel manubrio e quindi serrare la vite.

 **Vite : 3N·m (0,3 kgf-m)**

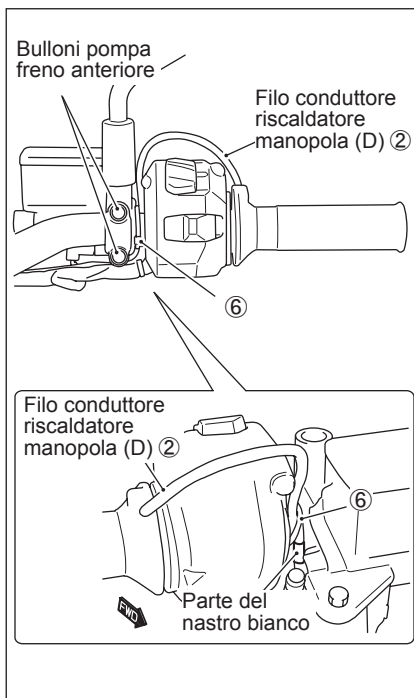


Dopo aver serrato le viti della scatola interruttori manopola destra, controllare che la scatola interruttori non si muova.



14. Far passare il filo del riscaldatore manopola (D) ② davanti al manubrio come indicato in figura e farlo passare tra la scatola interruttori manopola destra e il morsetto pompa del freno anteriore.

Allineare la parte del nastro bianco del filo riscaldatore manopola (D) ② tra i bulloni pompa freno anteriore e fissarlo con il morsetto ⑥ .



Far passare il cavo guida del riscaldatore manopola (D) ② davanti al manubrio e fissarlo come illustrato.




- **Fissare il filo del riscaldatore manopola (D) ② con il morsetto ⑥ .**
- **Controllare che il filo non si sposti durante l'azionamento dell'acceleratore.**



Tagliare la parte in eccesso del morsetto ⑥ .

15. Reinstallare l'equilibratore del manubrio e lo specchietto.

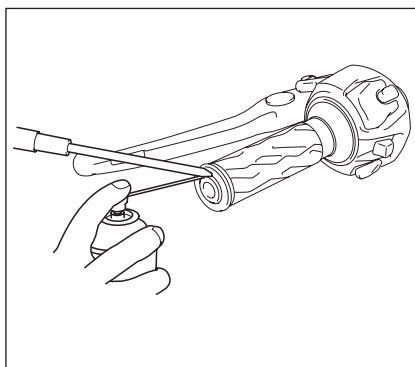
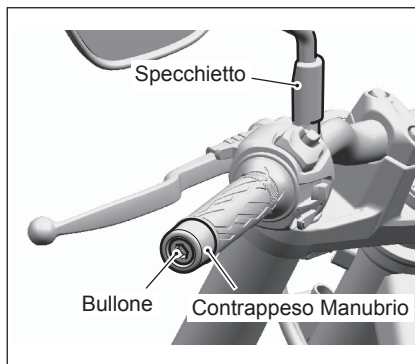
 **Bullone equilibratore manubrio: 23N·m
(2,3 kgf-m)**

 **ATTENZIONE**

Assicurarsi che non vi sia tensione del filo, contatto con altre parti, blocco nel funzionamento dell'acceleratore e così via, quando si azionano acceleratore, leva e interruttori, e lo sterzo da fermo.

Installazione del riscaldatore manopola (S) ①

1. Rimuovere l'equilibratore manubrio sinistro.
2. Rimuovere lo specchietto sinistro.
3. Aprire lo spazio libero tra manopola sinistra del manubrio e manubrio stesso con un cacciavite \ominus , quindi iniettare un agente sgrassante ed estrarre la manopola sinistra del manubrio.



Utilizzare il cacciavite a \ominus con cautela per non graffiare la superficie del manubrio.

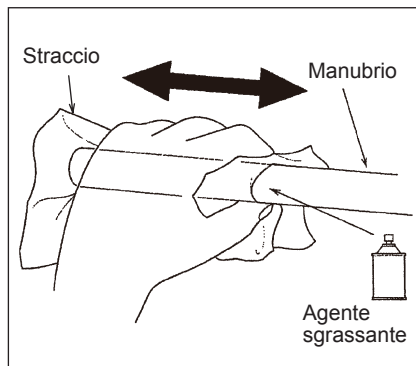


La manopola del manubrio sinistro non verrà riutilizzata.

4. Pulire il resto dell'adesivo che aderisce al manubrio con un agente sgrassante e uno straccio.

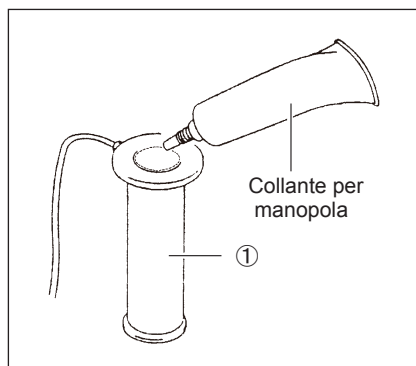
i

Asciugare completamente il manubrio.



5. Applicare collante per manopola in modo uniforme e abbondante all'interno del riscaldatore manopola (S) ①.

[Consigliato: THREE BOND 1530P]

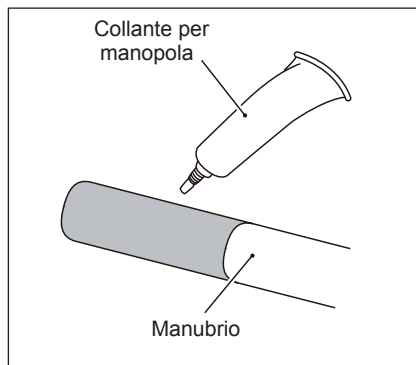


6. Applicare collante per manopola sulla superficie del manubrio.

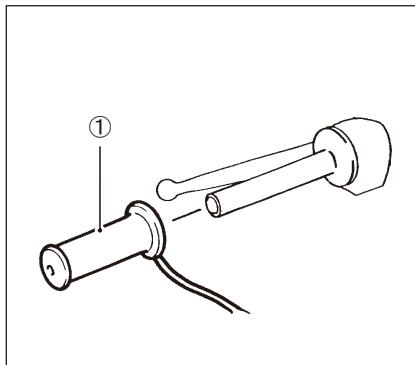
[Consigliato: THREE BOND 1530P]

i

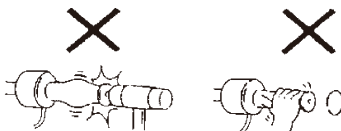
Nel caso in cui residui di agente legante aderiscano alla superficie dell'estremità del manubrio, pulirla completamente con uno straccio prima dell'asciugatura.



7. Inserire il riscaldatore manopole (S) ① nel manubrio in una volta ruotandolo prima che il cemento per manopola si asciughi.

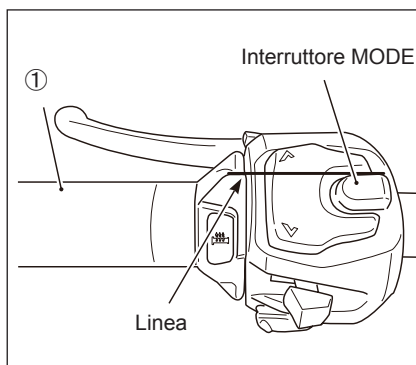


- Quando la manopola è inserita, non fermarsi a metà corsa, ma inserirla tutta in una volta.
- Quando la si inserisce, non colpire l'estremità della manopola con un martello né torcerla con forza, il riscaldatore manopola potrebbe essere tagliato.



- Quando la manopola non può essere inserita a metà corsa, estrarre la manopola versando l'agente sgrassante nello spazio tra il riscaldatore manopola e il manubrio. A questo punto, non torcere con forza il filo riscaldatore con un cacciavite o un utensile simile, il filo riscaldatore all'interno del riscaldatore manopola potrebbe essere tagliato.

Come mostrato nell'illustrazione, allineare il riscaldatore manopole (S) ① alla linea superiore dell'interruttore MODE.



⚠ ATTENZIONE

- **Utilizzare un cemento di presa appropriato e asciugare bene la parte applicata, quindi controllare che aderisca saldamente. Se non è completamente asciutta o se si utilizza un tipo diverso di cemento, c'è il rischio che la manopola scivoli fuori durante la guida. Verificare che la manopola sia montata saldamente sul manubrio prima di azionare la motocicletta.**
- **Fissare saldamente il filo del riscaldatore manopole utilizzando un morsetto in modo che non si possa sentire tensione nel filo della manopola acceleratore quando si aziona l'acceleratore.**
- **Fissare il filo con morsetto in modo che il filo della manopola acceleratore non venga a contatto con altre parti quando l'acceleratore viene aperto/chiuso.**

8. Reinstallare l'equilibratore manubrio e lo specchietto che erano stati rimossi nei passaggi 1 e 2.

**Bullone equilibratore manubrio:****23N·m (2,3 kgf·m)**

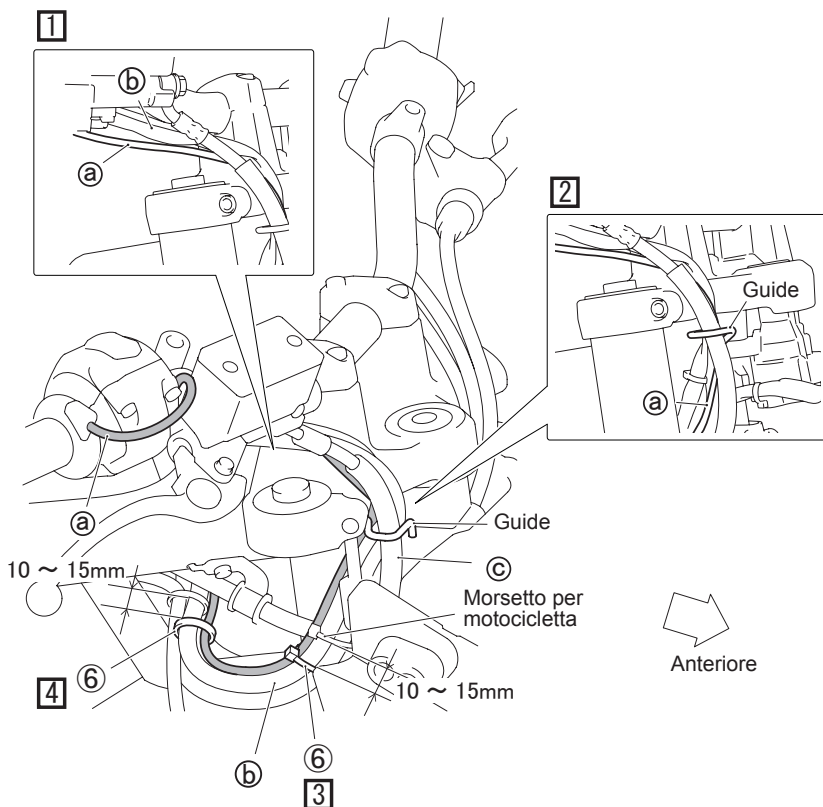
Installazione dei fili del riscaldatore manopole (S) ① / (D) ②

Disporre e fissare il filo riscaldatore manopola (S) ① / (D) ② come indicato in figura.

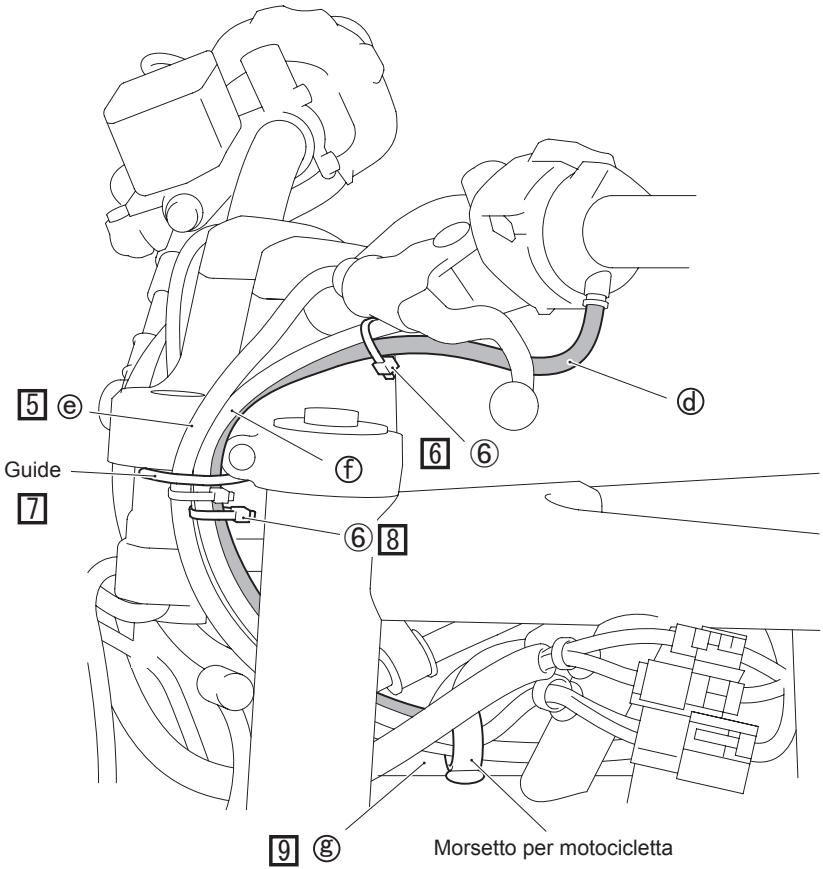


- Controllare che non vi sia eccessiva tensione né un gioco rilevante nel filo del riscaldatore manopola (S) ① / (D) ② .
- Tagliare la parte in eccesso del morsetto ⑥ .
- Controllare che la punta del morsetto non sia a contatto con altre parti nello stato di sterzo stazionario.

Vista: A



Vista: B



Cablaggio, tubo flessibile e cavo
a. Filo conduttore riscaldatore manopola (D) ②
b. Filo interruttore manopola destra
c. Tubo flessibile freno anteriore
d. Filo conduttore riscaldatore manopola (S) ①
e. Cavo della frizione
f. Filo conduttore dell'interruttore manubrio sinistro
g. Cablaggio principale

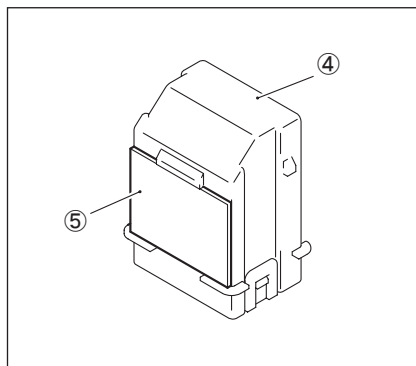
Funzionamento
①. Disporre "a" lungo "b". (Vista: A)
②. Far passare "a" attraverso la guida. (Vista : A)
③. Fissare "a" su "b" e il filo interruttore di accensione con il morsetto ⑥. (Vista : A) ※1 : Fissarlo con un morsetto entro 10 - 15 mm dal morsetto per motocicletta.
④. Fissare "a" su "b" e il filo interruttore di accensione con il morsetto ⑥. (Vista : A) ※2 : Fissarlo con un morsetto entro 10 - 15 mm dal morsetto per motocicletta.
⑤. Disporre "d" lungo "e" e "f". (Vista: B)
⑥. Fissare "d" su "f" con il morsetto ⑥. (Vista : B)
⑦. Far passare "d" attraverso la guida. (Vista : B)
⑧. Fissare "d" su "f" con il morsetto ⑥. (Vista : B) ※2 : Fissarlo con un morsetto entro 10 - 15 mm dal morsetto per motocicletta.
⑨. Fissare "d" a "g" con "e" e "f" con il morsetto per motocicletta. (Vista : B)

Installazione del filo riscaldatore manopole ③ e del controller riscaldatore manopole ④

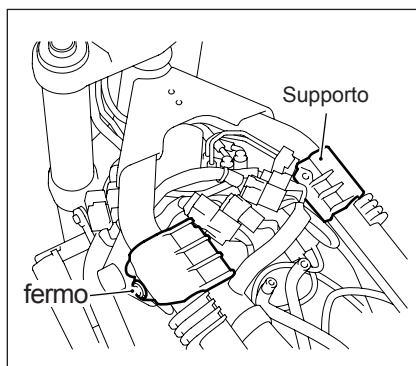
1. Fissare il dispositivo di fissaggio ⑤ al controller riscaldatore manopola ④.



Applicare il primer sulla superficie di fissaggio e collegare il dispositivo di fissaggio ⑤ dopo l'essiccamento.



2. Rimuovere i fermi del supporto e spostarlo da parte.



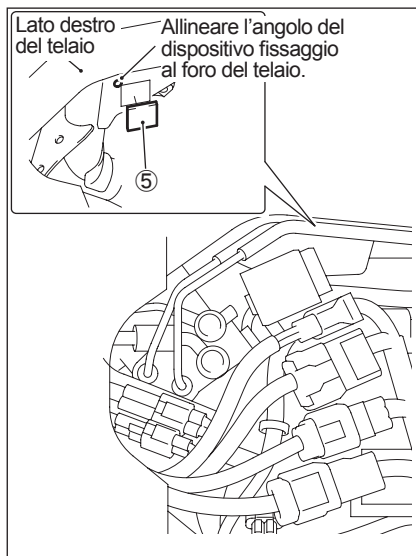
3. Collegare il dispositivo di fissaggio ⑤ alla piastra sotto il supporto sul lato destro del telaio.



Applicare il primer sulla superficie di fissaggio e collegare il dispositivo di fissaggio ⑤ dopo l'essiccamento.



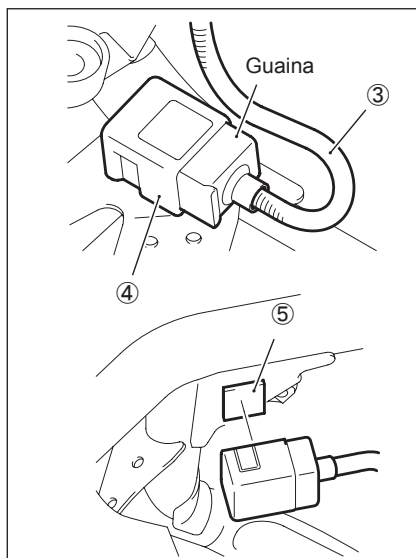
Collegare il dispositivo di fissaggio ⑤ parallelo alla linea di saldatura del telaio.



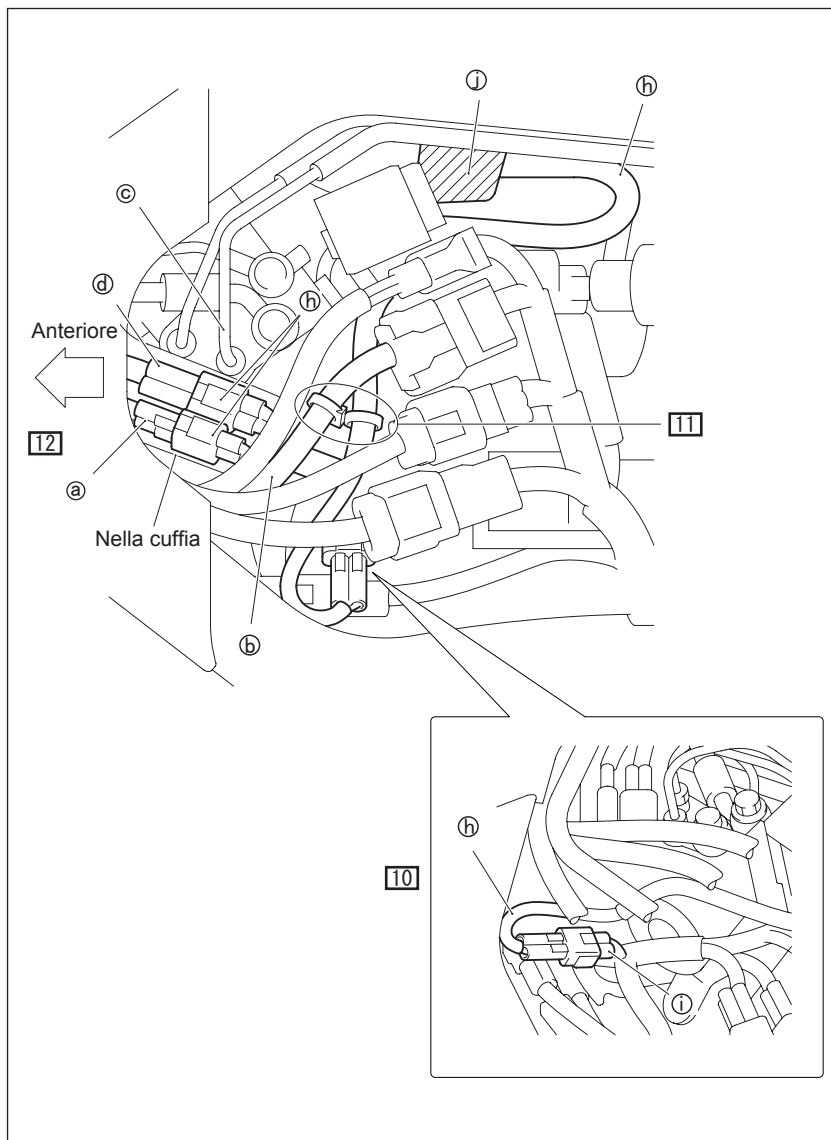
4. Collegare il controller riscaldatore manopole ④ al filo del riscaldatore manopole ③ e collegarlo al dispositivo di fissaggio ⑤ collegato nel passaggio 3.



Dopo aver collegato il controller riscaldatore manopole ④ al filo riscaldatore manopole ③, assicurarsi di inserire la cuffia nel controller riscaldatore manopole ④.



Disporre e fissare il filo di ciascuna parte come mostrato in figura.



Cablaggio, tubo flessibile e cavo

- | |
|--|
| a. Filo conduttore riscaldatore manopola (D) ② |
| b. Filo interruttore manopola destra |
| c. Tubo flessibile freno anteriore |
| d. Filo conduttore riscaldatore manopola (S) ① |
| h. Filo conduttore riscaldatore manopole ③ |
| i. Cablaggio principale |
| j. Controller riscaldatore manopola ④ |

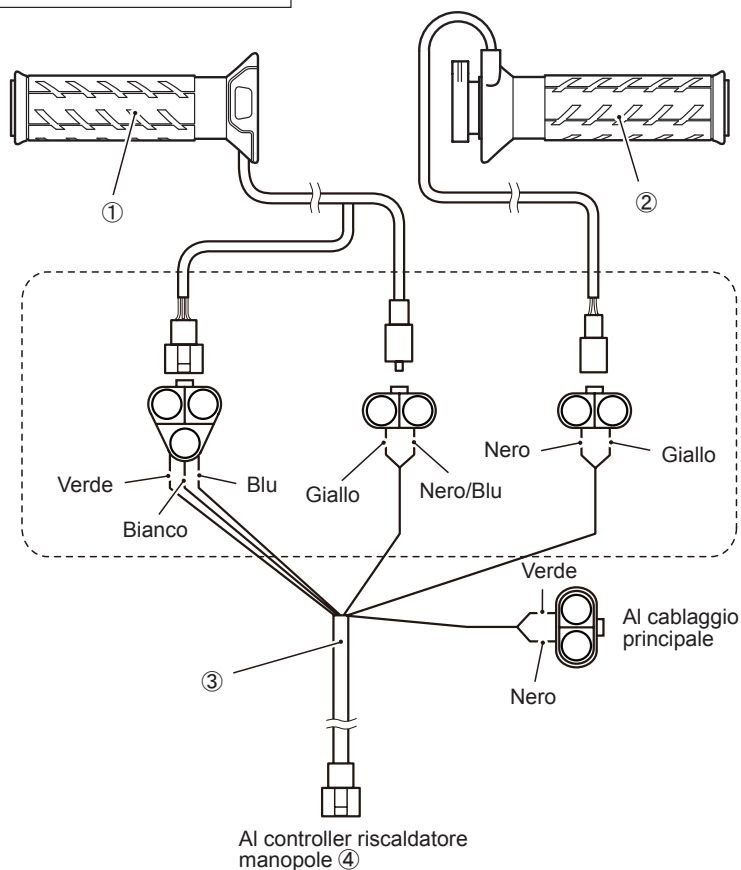
Funzionamento

- | |
|---|
| 10 . Collegare "h" a "i". Far passare "h" sotto il supporto. |
| 11 . Fissare "d" con il morsetto a forma di 8 collegato a "h". |
| 12 . Collegare "a" e "d" a "h". Inserire il cavo in eccesso nella cuffia.
※ Inserire la cuffia nello spazio tra il tubo flessibile freno e il filo interruttori manopola destra. |

5. Reinstallare il supporto che era stato spostato nel passaggio 2 alla posizione originale.



Posizionare il filo del riscaldatore manopole ③ sotto il supporto.

Schema di cablaggio


6. Accendere il riscaldatore manopole e controllare se il riscaldatore manopole funziona correttamente.



Per le istruzioni sul riscaldatore manopole, vedere pagina 25.

7. Installare le parti della motocicletta nell'ordine inverso rispetto alla rimozione.
(Fare riferimento al Manuale di manutenzione di GSX800.)



Controllare ogni parte fissata prima di mettersi in marcia.

Verifica di funzionamento e ispezione

1. Controllare che il filo non sia sottoposto a una forza eccessiva quando la manopola acceleratore è completamente aperta o quando il manubrio è girato completamente a destra e a sinistra.
2. Controllare che il riscaldatore manopola lato sinistro aderisca saldamente.

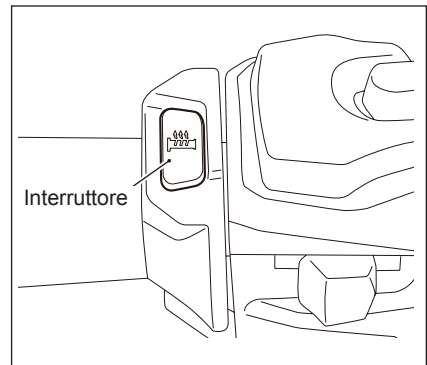
Dopo l'avvio del motore

1. Controllare se i dispositivi di illuminazione, come il faro anteriore, funzionano correttamente.
2. Controllare se la temperatura del riscaldatore manopole cambia premendo l'interruttore e cambiando l'indicatore da LIVELLO 3 a LIVELLO 1.

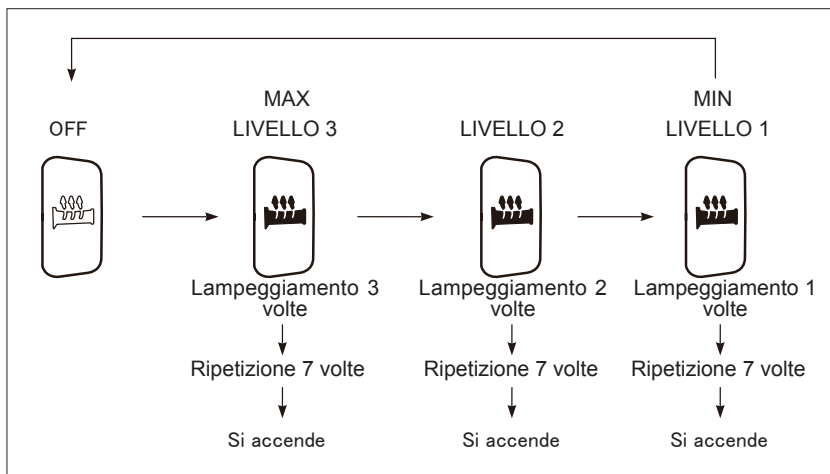
Metodo di manipolazione

Avviare il motore, attivare l'interruttore del riscaldatore manopole, quindi il riscaldatore manopole inizia a funzionare e si riscalda.

A seconda della temperatura dell'aria, la temperatura del riscaldatore manopole può essere regolata su 3 livelli da LIVELLO 3 a LIVELLO 1.



È possibile regolare la temperatura del riscaldatore delle manopole a tre livelli diversi, premendo l'interruttore. Premendo l'interruttore, la temperatura varia nell'ordine seguente:



AVVERTENZA

- Assicurarsi di indossare guanti per evitare ustioni.
- Non utilizzare il riscaldatore manopole quando la temperatura dell'aria è superiore a 20 gradi per evitare ustioni dovute al surriscaldamento.
- Sostituire le manopole danneggiate per evitare ustioni o scosse elettriche.



- *Il riscaldatore manopole vanta un interruttore automatico integrato per evitare il consumo della batteria non necessario. L'interruttore automatico spegne il riscaldatore manopole quando la velocità del motore viene ridotta al minimo. Quando la velocità del motore e il voltaggio della batteria aumentano, l'interruttore automatico accende il riscaldatore delle manopole e l'indicatore ritorna operativo.*
- *Se la velocità del motore è bassa, premendo l'interruttore il riscaldatore manopole non si accende. Aumentare la velocità del motore e premere di nuovo l'interruttore per accendere il riscaldatore manopole.*

Quando il riscaldatore manopole non funziona normalmente, controllare le voci seguenti e consultare il proprio rivenditore SUZUKI.

- Il riscaldatore manopole non entra in funzione. O non è possibile regolarlo.
 1. L'indicatore dell'interruttore riscaldatore manopole lampeggia?
 2. Il motore è avviato?
 3. L'interruttore riscaldatore manopole è impostato nella posizione tra LIVELLO 1 ⇔ LIVELLO 3?

- La temperatura del riscaldatore manopole è troppo bassa o troppo elevata.
 1. È stata regolata l'impostazione dell'interruttore riscaldatore manopole tra LIVELLO 1 ⇔ LIVELLO 3?
 2. Quando la temperatura è troppo elevata, impostare l'interruttore su LIVELLO 1 oppure OFF, oppure indossare un paio di guanti spessi.

- Il riscaldatore delle manopole potrebbe fornire prestazioni/apparire in maniera diversa a seconda della località.
 1. Ciò non rappresenta un guasto.

- L'indicatore interruttore riscaldatore manopole lampeggia.
 1. Voltaggio batteria troppo basso.
Ricaricare completamente la batteria o sostituirla con una nuova. Anche se l'interruttore del riscaldatore delle manopole è spento, quando il voltaggio della batteria si abbassa, l'indicatore lampeggia.

**Precauzioni
per l'uso**



Non utilizzare una lancia ad alta pressione per lavare la motocicletta, perché ciò può causare il guasto del riscaldatore manopole.

Descripción: **PUÑO CALEFACTABLE**

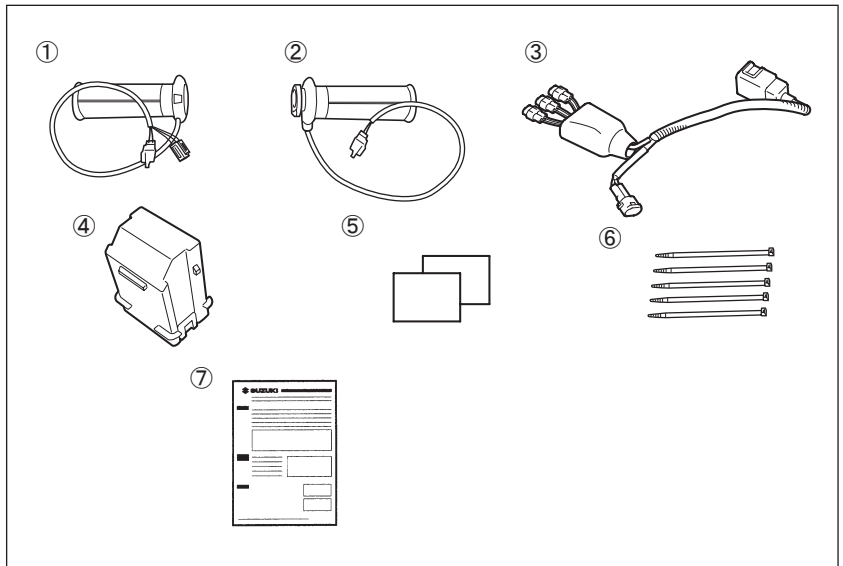
N° de código : 57100-2581*

Aplicación: GSX800 M3-

Tiempo de instalación : 1,5 H

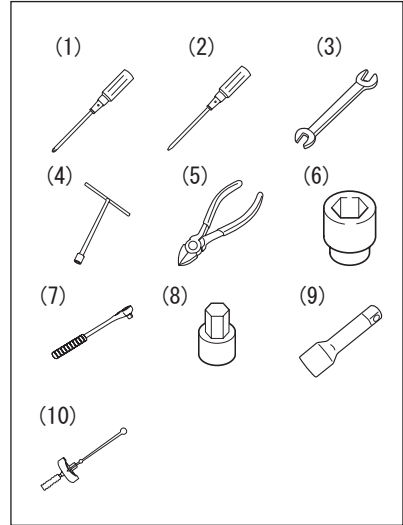
Contenido

Ref.	Descripción	Cant.
①	Puño calefactable (Izq.)	1
②	Puño calefactable (Der.)	1
③	Cable conductor del puño calefactable	1
④	Controlador del puño calefactable	1
⑤	Cierre	2
⑥	Abrazadera	5
⑦	Instrucciones para el montaje	1

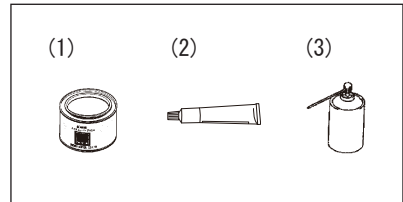


**Herra-
mientas
necesarias**

Ref.	Descripción
(1)	Destornillador ⊕
(2)	Destornillador ⊖
(3)	Llave inglesa (10 mm, 17mm)
(4)	Llave en T (10 mm)
(5)	Alicates de corte
(6)	Vaso (10 mm)
(7)	Mango de trinquete
(8)	Vaso hexagonal (4mm, 5mm, 6mm, 8mm, 10 mm)
(9)	Extensión
(10)	Llave dinamométrica


**Elementos
proporcionados
por el cliente**

Ref.	Descripción
(1)	ECSTAR SUPER GREASE A o equivalente [Recomendado 99000-25480]
(2)	Cemento para puños [Recomendado THREE BOND 1530P]
(3)	Agente desengrasante




Importante
⚠ ADVERTENCIA / ⚠ ATENCIÓN / AVISO / NOTA

Lea este manual y siga sus instrucciones cuidadosamente. Para realizar la información especial, el símbolo **⚠** y las palabras **ADVERTENCIA**, **ATENCIÓN**, **AVISO** y **NOTA** tienen un significado especial. Ponga mucha atención a los mensajes resaltados por estas palabras:

⚠ ADVERTENCIA

Indica un posible peligro que podría causar la muerte o lesiones graves.

⚠ ATENCIÓN

Indica un posible peligro que podría causar lesiones menores o moderadas.

AVISO

Indica un posible peligro que podría causar daños en el vehículo o el equipo. ⇨ ⓘ

NOTA

Indica información especial para que el mantenimiento resulte más fácil o las instrucciones más claras. ⇨ ⓘ

**Precauciones
para la
instalación**

1. Compruebe que el juego incluya todas las piezas enumeradas en la primera página.
2. Compruebe cada pieza del juego para asegurarse de que no esté rayada ni dañada.
3. Estacione el vehículo en un terreno nivelado.
4. Retire la llave de contacto y guárdela en un lugar seguro.
5. Desconecte el cable negativo (–) de la batería.
6. Proteja cada pieza que haya quitado o que vaya a instalar para que no se raye colocándola primero sobre un paño blando antes de ponerla en el suelo.
7. Tenga cuidado para no causar ningún daño a la carrocería del vehículo durante la instalación de un accesorio.



Consulte el manual de servicio de la GSX800 cuando retire o instale piezas STD.

*** Piezas STD = componentes de la motocicleta SUZUKI**

Par de apriete

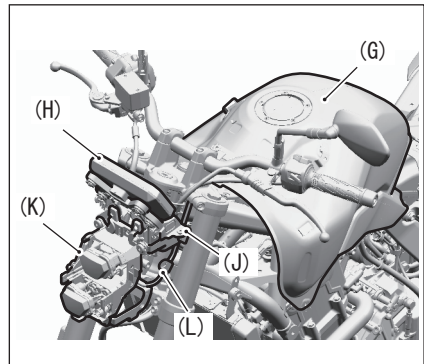
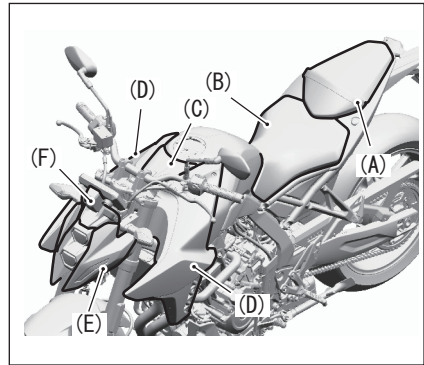
Apriete los tornillos con el par de apriete indicado en la tabla de la derecha como valor estándar, a menos que se especifique explícitamente otra cosa.

El valor convencional se muestra en el "4" marcado como par de apriete de los tornillos. Consulte el manual de servicio para otros tornillos no indicados en la tabla.

Diámetro (mm)	Par de apriete	
	N·m	kgf·m
5	3,0	0,3
6	5,5	0,55
8	13,0	1,3
10	29,0	2,9

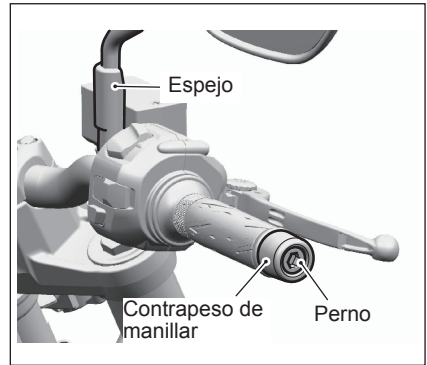
Instalación
Retirada de piezas de la motocicleta

- Desmonte el asiento del pasajero (A), el asiento (B), la cubierta del depósito de combustible (C), la cubierta superior del bastidor (D), la cubierta del faro (E) y la cubierta del medidor delantero (F).
- Extraiga el depósito de combustible (G), el velocímetro (H), la cubierta trasera del medidor (J), el faro (K) y el soporte de la cubierta del faro (L).

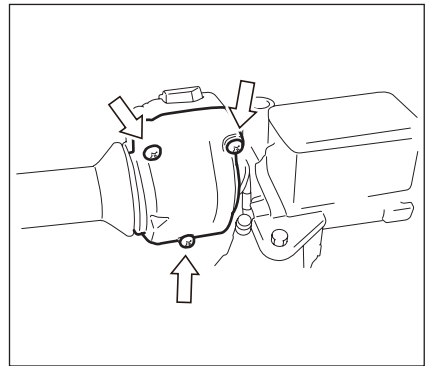


Instalación del puño calefactable (Der.) ②

1. Retire el contrapeso del manillar derecho.
2. Retire el espejo derecho.

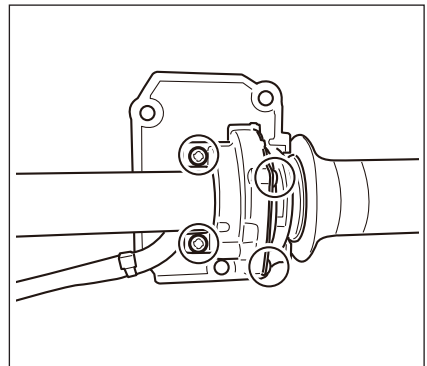


3. Retire los tornillos y retire la caja del interruptor del manillar derecho.

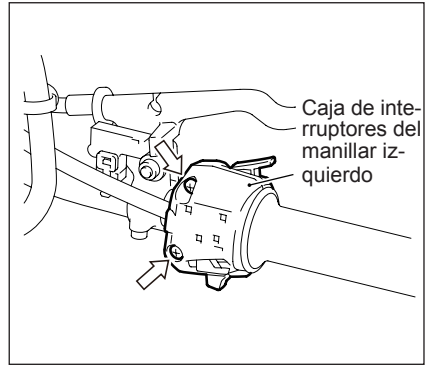


ADVERTENCIA

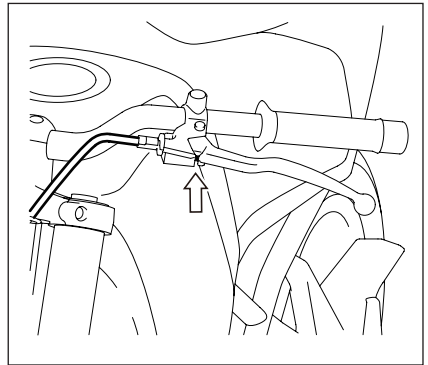
Nunca toque los tornillos del soporte del interruptor del manillar derecho.



4. Retire los 2 tornillos y retire la caja del interruptor del manillar izquierdo.



5. Retire el cable de embrague de la maneta del embrague.



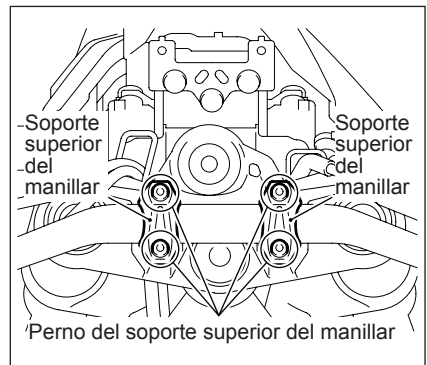
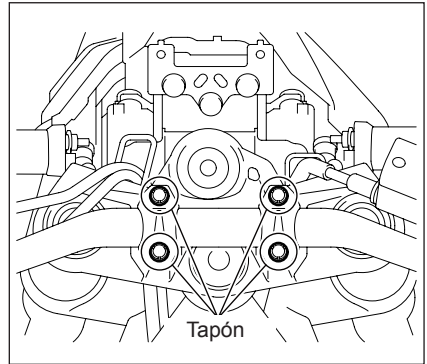
6. Retire el soporte superior del manillar y levante la barra del manillar del soporte del manillar.



- Coloque un trapo en el soporte del manillar para evitar que se raye.
- Coloque un trapo en el velocímetro para evitar que el velocímetro se raye.

⚠ ADVERTENCIA

No ponga el conjunto del cilindro principal del freno delantero al revés.



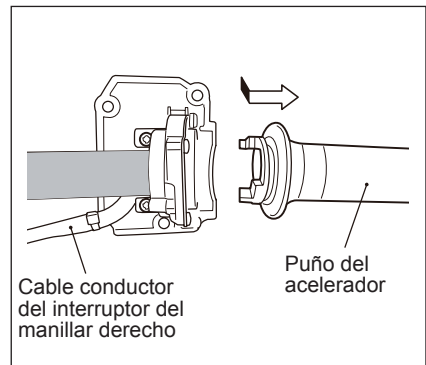
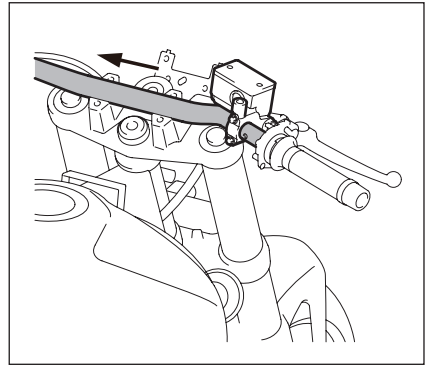
7. Mueva el manillar hacia el lado izquierdo de la motocicleta, mueva el soporte del interruptor del manillar derecho y el puño del acelerador hacia el extremo del manillar y retire solamente el puño del acelerador.

⚠ ADVERTENCIA


- **No tire nunca a la fuerza del cable conductor del interruptor del manillar derecho. Puede causar el corte del cable conductor del interruptor del manillar derecho.**
- **No tire nunca del latiguillo del freno delantero a la fuerza. Puede causar la rotura del latiguillo del freno delantero.**



El puño del acelerador no se volverá a utilizar.



8. Vuelva a instalar la barra del manillar en el orden inverso al paso 6.

** Perno del soporte superior del manillar:
23N·m (2,3 kgf·m)**

9. Instale el cable del embrague en la maneta del embrague y ajuste el juego del cable del embrague.
10. Vuelva a instalar la caja del interruptor del manillar izquierdo en la motocicleta.

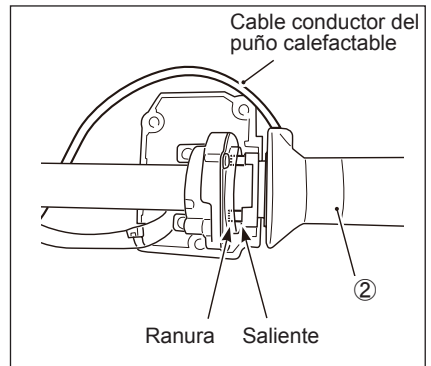


Asegúrese de consultar el manual de servicio de GSX800.

11. Aplique grasa al lado derecho del manillar.

ECSTAR SUPER GREASE A o equivalente

12. Instale el puño calefactable (Der.) ② con el cable conductor orientado hacia arriba de modo que el resalte quede insertado en la ranura del soporte del interruptor del manillar derecho.



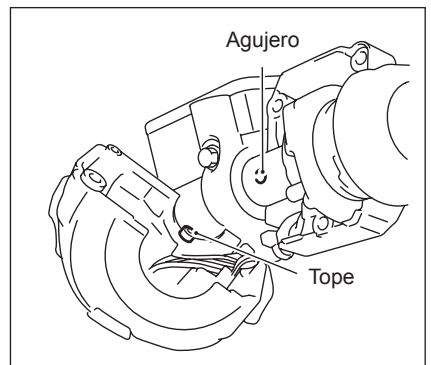
13. Alinee el tope de la caja del interruptor con el orificio de posicionamiento en el manillar y, a continuación, apriete el tornillo.



**Tornillo : 3N·m
(0,3 kgf·m)**

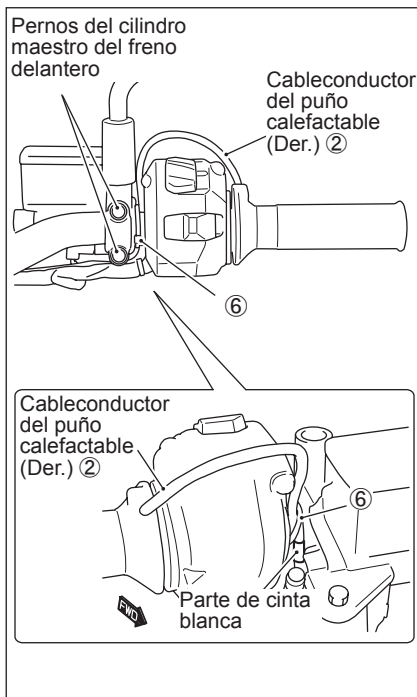


Después de apretar los tornillos de la caja del interruptor del manillar derecho, compruebe que la caja del interruptor no se mueva.



14. Pase el cable del puño calefactable (Der.) ② por delante del manillar como se muestra, y páselo entre la caja del interruptor del manillar derecho y la abrazadera del cilindro maestro del freno delantero.

Alinee la parte de la cinta blanca del cable conductor del puño calefactable (Der.) ② entre los pernos del cilindro maestro del freno delantero y asegúrelo con la abrazadera ⑥ .



Pase el cable del puño calefactable (Der.) ② por delante del manillar y asegúrelo tal como se muestra.



- **Asegure el cable conductor del puño calefactable (Der.) ② con la abrazadera ⑥ .**
- **Compruebe que el cable conductor no se mueva durante el accionamiento del acelerador.**



Corte la parte sobrante de la abrazadera ⑥ .



15. Vuelva a instalar el contrapeso del manillar y el espejo.



**Perno del contrapeso
del manillar:**

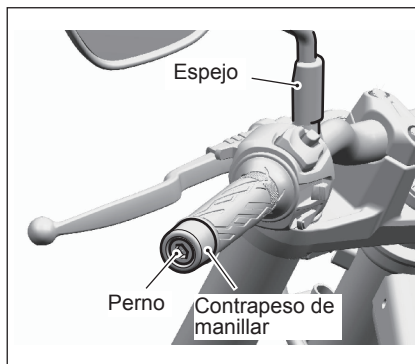
23N·m (2,3 kgf·m)


⚠ ADVERTENCIA

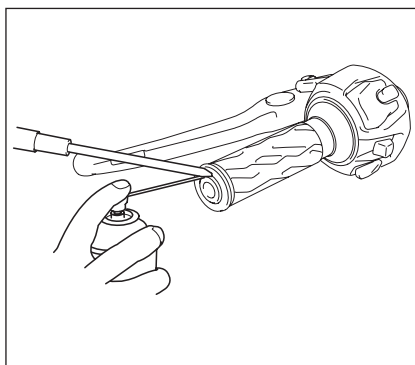
Asegúrese de que no exista tensión en el cable conductor, que no entre en contacto con otras piezas y que no haya ningún problema con la operación del acelerador, etc., al accionar el acelerador, la palanca, los interruptores y la dirección estacionaria.

Instalación del calentador de puño (Izq.) ①

1. Retire el contrapeso del manillar izquierdo.
2. Retire el espejo izquierdo.



3. Abra el hueco entre la empuñadura izquierda del manillar y el manillar con un destornillador , luego inyecte agente desengrasante y saque el puño del manillar izquierdo.



Utilice el destornillador  con cuidado para no rayar la superficie del manillar.

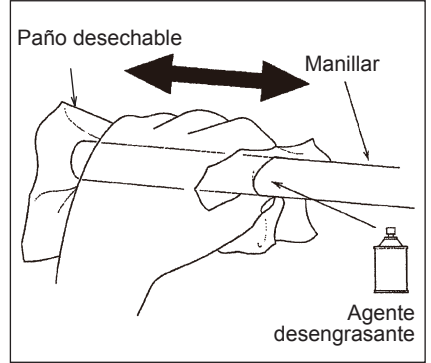


El puño del asa izquierda no se volverá a utilizar.

4. Limpie el resto del adhesivo adherido del manillar con un agente desengrasante y un paño desechable.

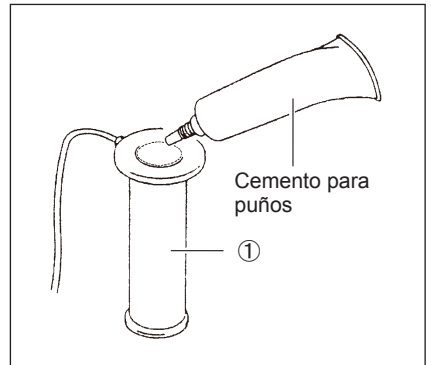
ⓘ

Seque el manillar completamente.



5. Aplique cemento para puños de manera uniforme y bastante abundante en el interior del puño calefactable (Izq.) ①.

[Recomendado: THREE BOND 1530P]

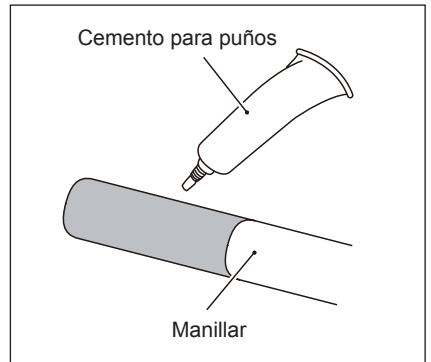


6. Aplique cemento para puños a la superficie del manillar.

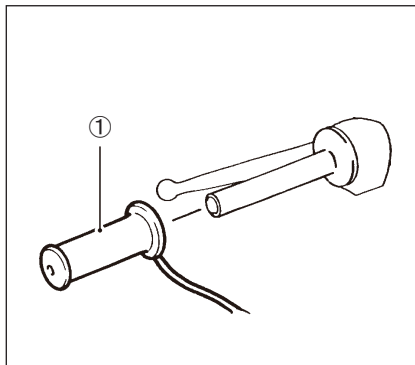
[Recomendado: THREE BOND 1530P]

ⓘ

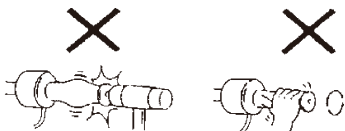
Si hay adherido adhesivo a la superficie del extremo del manillar, límpielo completamente con un paño desechable antes de secar.



7. Introduzca de golpe el puño calefactable (Izq.) ① en el manillar girándolo antes de que el cemento del puño se seque.

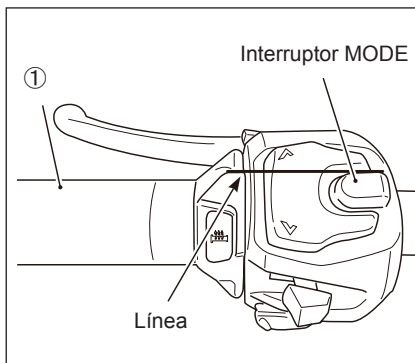


- Cuando introduzca el puño, no se detenga a mitad del recorrido, introdúzcalo de golpe.
- Al introducirlo, no golpee el extremo del puño con un martillo ni lo retuerza a la fuerza, puesto que el puño calefactable podría cortarse.



- Si el puño no se puede introducir más a medio recorrido, extraiga el puño vertiendo el agente desengrasante en un espacio entre el puño calefactable y el manillar. En este momento, no retuerza a la fuerza el cable del calentador con un destornillador o una herramienta similar, puesto que el cable del calentador en el interior del puño calefactable podría sufrir cortes.

Tal y como se muestra en la ilustración, alinee el calentador del puño calefactable (Izq.) ① con la línea superior del interruptor MODE.



⚠ ADVERTENCIA

- Use un cemento de puño adecuado y seque bien la pieza aplicada, a continuación, compruebe si está firmemente adherida. Si no se ha secado completamente o si se utiliza un cemento diferente, existe el riesgo de que el puño se salga durante la conducción. Verifique que el puño está montado de forma segura en los manillares antes de operar la motocicleta.
- Asegure firmemente el cable conductor del puño calefactable usando una abrazadera de manera que no se perciba tensión en el cable del puño del acelerador al accionar el acelerador.
- Sujete el cable con una abrazadera de modo que el cable del puño del acelerador no entre en contacto con otras piezas al abrir/cerrar el acelerador.

8. Vuelva a instalar el contrapeso del manillar y el espejo retirados en los pasos 1 y 2.



Perno del contrapeso del manillar : 23N·m (2,3 kgf·m)

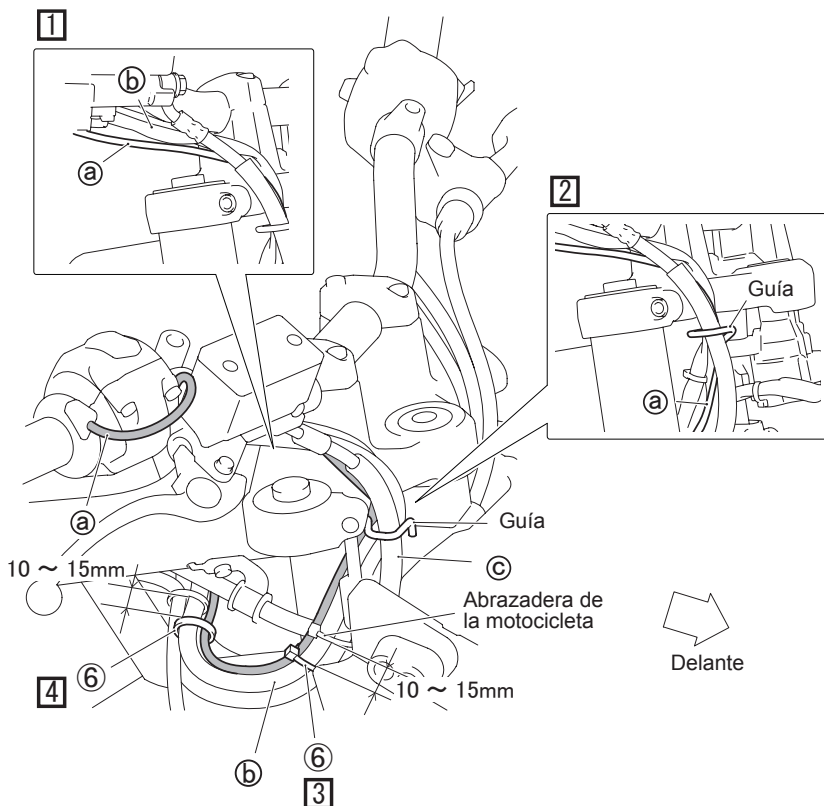
Instalación de los cables conductores de los puños calefactables (Izq.) ① / (Der.) ②

Guíe y asegure el cable conductor del puño calefactable (Izq.) ① / (Der.) ② tal y como se muestra en la ilustración.

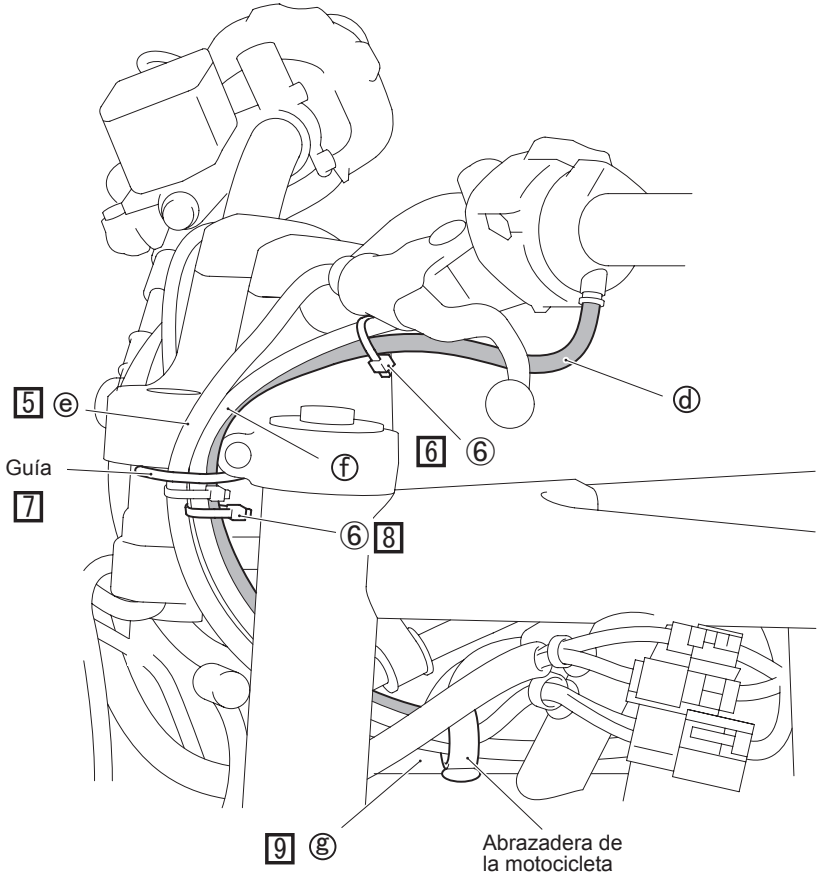


- Compruebe que no haya tensión ni holgura excesivas en el cable conductor de los puños calefactables (Izq.) ① / (Der.) ② .
- Corte la parte sobrante de la abrazadera ⑥ .
- Compruebe que la punta de la abrazadera no está en contacto con otras piezas en estado de dirección estacionaria.

Vista: A



Vista: B



Cableado, latiguillo y cable
a. Cable conductor del puño calefactable (Der.) ②
b. Cable conductor del interruptor del manillar derecho
c. Latiguillo del freno delantero
d. Cable conductor del puño calefactable (Izq.) ①
e. Cable del embrague
f. Cable conductor del interruptor del manillar izquierdo
g. Mazo principal

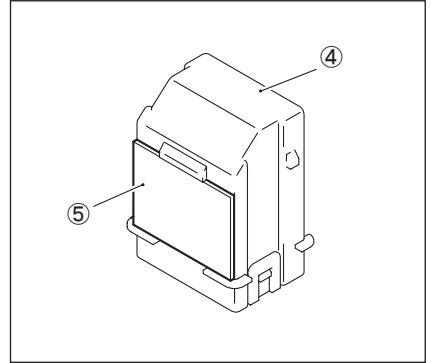
Operación
①. Guíe "a" a lo largo de "b". (Vista : A)
②. Pase "a" a través de la guía. (Vista : A)
③. Fije "a" a "b" y el cable conductor del interruptor de encendido con la abrazadera ⑥. (Vista : A) ※1 : Fijelo dentro de 10-15 mm desde la abrazadera de la motocicleta.
④. Fije "a" a "b" y el cable conductor del interruptor de encendido con la abrazadera ⑥. (Vista : A) ※2 : Fijelo dentro de 10-15 mm desde la abrazadera de la motocicleta.
⑤. Guíe "d" a lo largo de "e" y "f". (Vista : B)
⑥. Fije "d" y "f" con la abrazadera ⑥. (Vista : B)
⑦. Pase "d" a través de la guía. (Vista : B)
⑧. Fije "d" y "f" con la abrazadera ⑥. (Vista : B) ※2 : Fijelo dentro de 10-15 mm desde la abrazadera de la motocicleta.
⑨. Fijar "d" a "g" con "e" y "f" con la abrazadera de la motocicleta. (Vista : B)

Instalación del cable conductor del puño calefactable ③ y del controlador del puño calefactable ④

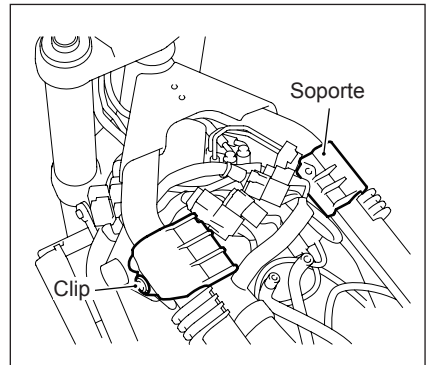
1. Fije el cierre ⑤ en el controlador del puño calefactable ④.



Aplique la imprimación en el área de instalación y coloque el cierre ⑤ después del secado.



2. Retire los clips del soporte y muévelo a un lado.



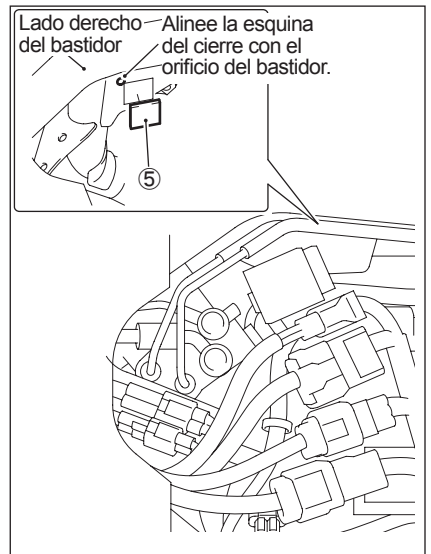
3. Coloque el cierre ⑤ en la placa debajo del soporte en el lado derecho del bastidor.



Aplique la imprimación en el área de instalación y coloque el cierre ⑤ después del secado.



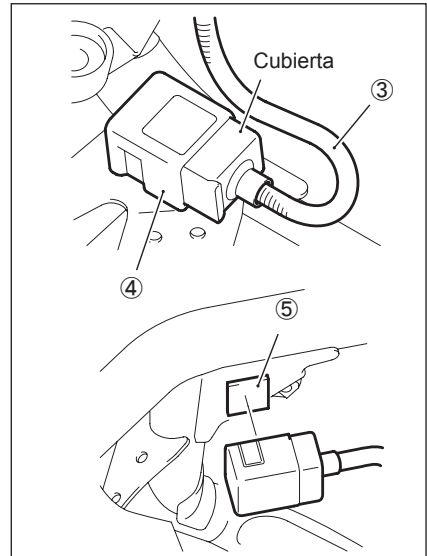
Coloque el cierre ⑤ paralelo a la línea de soldadura del bastidor.



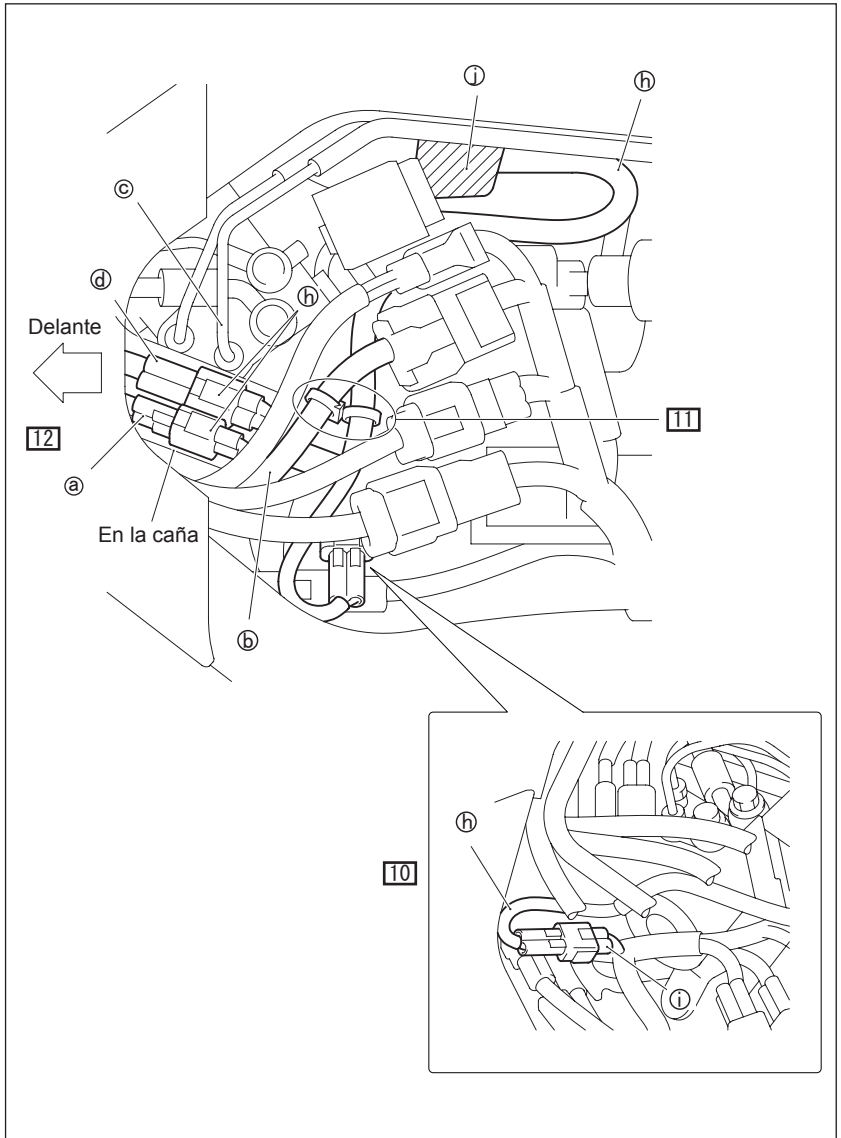
4. Conecte el controlador del puño calefactable ④ al cable conductor del puño calefactable ③ y asegúrelo al cierre ⑤ fijado en el paso 3.



Después de conectar el controlador del puño calefactable ④ al cable conductor del puño calefactable ③, asegúrese de encajar la caña en el controlador del puño calefactable ④.



Coloque y asegure el cable conductor de cada pieza como se muestra en la ilustración.



Cableado, latiguillo y cable

- | |
|---|
| a. Cable conductor del puño calefactable (Der.) ② |
| b. Cable conductor del interruptor del manillar derecho |
| c. Latiguillo del freno delantero |
| d. Cable conductor del puño calefactable (Izq.) ① |
| h. Cable conductor del puño calefactable ③ |
| i. Mazo principal |
| j. Controlador del puño calefactable ④ |

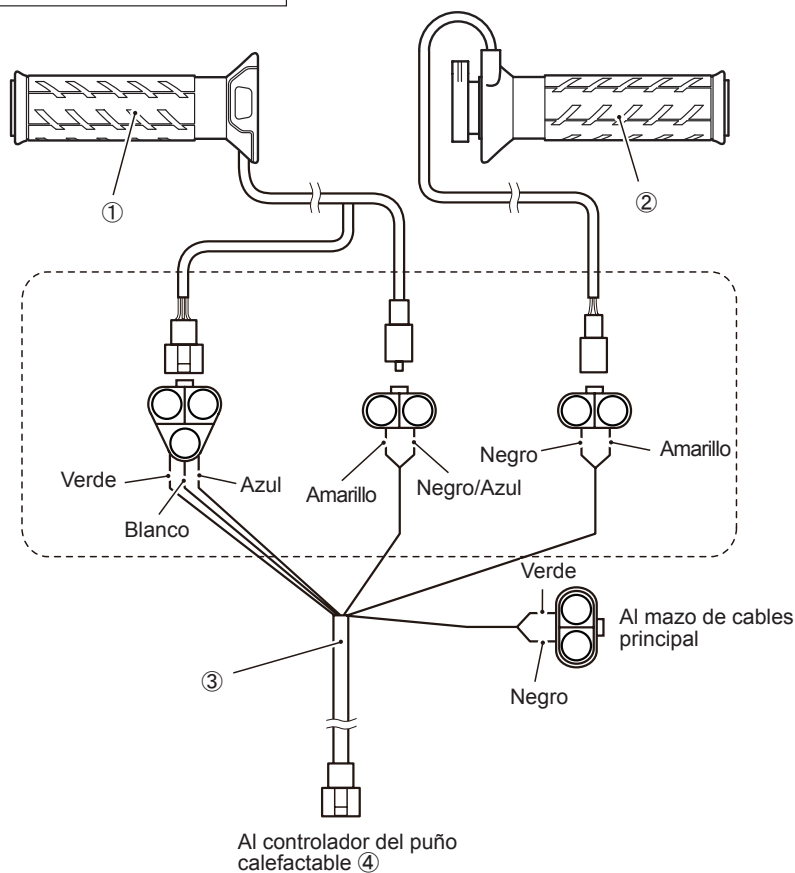
Operation

- | |
|--|
| 10 . Conecte "h" a "i". Pase "h" por debajo del soporte. |
| 11 . Fije "d" con la abrazadera de forma de 8 que está instalada en "h". |
| 12 . Conecte "a" y "d" a "h". Coloque el cable conductor sobrante en la caña.
※ Ponga caña en el espacio entre el tubo del freno y el cable del interruptor del manillar derecho. |

5. Vuelva a instalar el soporte que se movió en el paso 2 en la posición original.



<p>Coloque el cable conductor del puño calefactable ③ debajo del soporte.</p>
--

Diagrama de cableado


6. Encienda el puño calefactable y compruebe si funciona correctamente.



Para obtener más información sobre el puño calefactable, consulte la página 25.

7. Instale las piezas de la motocicleta en el orden inverso al de extracción. (Consulte el manual de servicio de la GSX800.)



Compruebe el ajuste de cada una de las piezas fijadas antes de conducir.

Comprobación de funcionamiento e inspección

1. Compruebe que el cable conductor no esté bajo fuerza excesiva cuando el puño del acelerador está completamente abierto, o cuando el manillar está completamente girado hacia la derecha y hacia la izquierda.
2. Compruebe si el puño calefactable del lado izquierdo está bien adherido.

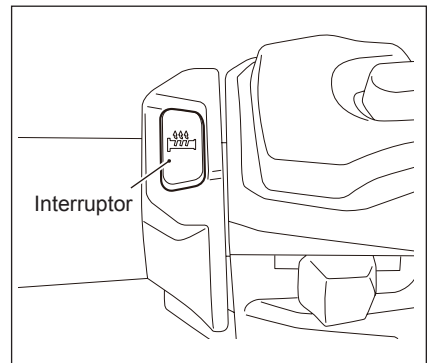
Después de arrancar el motor

1. Compruebe si los dispositivos de iluminación, como por ejemplo el faro delantero, funcionan correctamente.
2. Compruebe si la temperatura del puño calefactable cambia pulsando el interruptor y cambiando el indicador de NIVEL 3 a NIVEL 1.

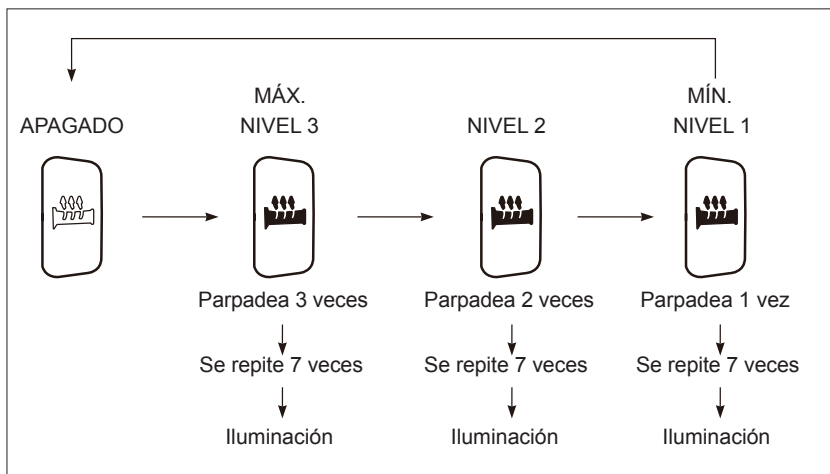
Método de manejo

Arranque el motor, encienda el interruptor del puño calefactable y, a continuación, el puño calefactable comienza a funcionar y a calentarse.

De acuerdo con la temperatura del aire, la temperatura del puño calefactable puede ajustarse en 3 niveles del NIVEL 3 al NIVEL 1.



La temperatura del puño calefactable se puede ajustar en tres pasos pulsando el interruptor. Al pulsar el interruptor, la temperatura cambia de la siguiente manera:



CAUTION

- Asegúrese de usar guantes para evitar quemaduras.
- No utilice el puño calefactable cuando la temperatura del aire esté por encima de 20 grados para evitar quemaduras debidas al sobrecalentamiento.
- Sustituya los puños dañados para evitar quemaduras o descargas eléctricas.



- *El puño calefactable tiene un interruptor automático incorporado para evitar el consumo innecesario de electricidad de la batería. El interruptor automático apaga el puño calefactable cuando el régimen del motor es inferior al régimen de ralentí. Cuando el régimen del motor aumenta y la tensión de la batería se incrementa, el interruptor automático enciende el puño calefactable y el indicador vuelve a aparecer.*
- *Al pulsar el interruptor no se encenderá el puño calefactable cuando el régimen del motor sea bajo. Aumente el régimen del motor y vuelva a pulsar el interruptor para encender el puño calefactable.*

Cuando el puño calefactable no funcione con normalidad, compruebe los siguientes elementos y consulte a su concesionario SUZUKI al que le compró el producto.

- El puño calefactable no funciona. O bien no se puede ajustar.
 1. ¿Está parpadeando el interruptor del puño calefactable?
 2. ¿Ha arrancado el motor?
 3. ¿El interruptor del puño calefactable está en la posición entre NIVEL 1 ⇔ NIVEL 3?

- La temperatura del puño calefactable es demasiado baja o demasiado alta.
 1. ¿Ha ajustado el interruptor del puño calefactable entre NIVEL 1 ⇔ NIVEL 3?
 2. Cuando la temperatura sea demasiado alta, ajuste el interruptor en NIVEL 1 o APAGADO, o use un par de guantes gruesos.

- El puño calefactable puede funcionar/sentirse de manera diferente dependiendo de la ubicación.
 1. Esto no es un fallo.

- El indicador del interruptor del puño calefactable está parpadeando.
 1. Tensión de la batería demasiado baja.
Recargue la batería por completo o sustituya la batería por una nueva.
Aunque el interruptor del puño calefactable esté apagado, cuando la tensión de la batería es baja, el indicador parpadea.

Precauciones durante el manejo



No utilice un sistema de lavado a alta presión para lavar la motocicleta, ya que podría causar que el puño calefactable falle.

品名：**グリップヒータセット**
 適合機種：GSX800 M3-

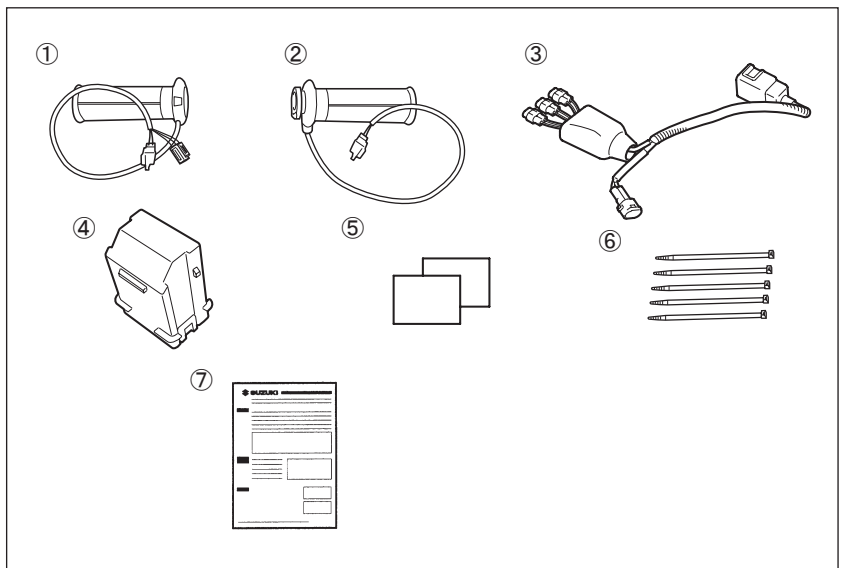
品番：57100-2581*
 取付時間：1.5 H

スズキ純正用品をお買いあげいただきありがとうございます。

本書は用品の取付け方法及び取扱の方法を説明しています。取付けの前に必ずお読みいただき、正しく取り付けてください。取付後、本書を必ずお客様にお渡ししてください。

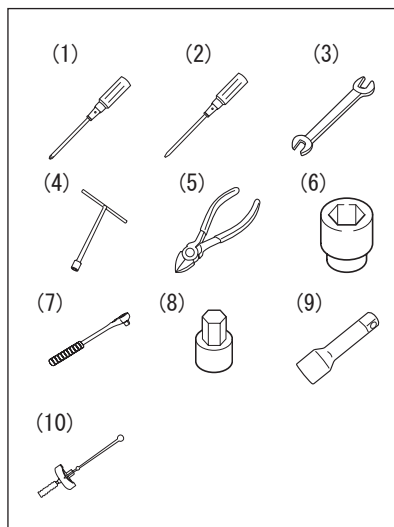
構成部品

No	品名	数量
①	左側グリップヒータ	1
②	右側グリップヒータ	1
③	グリップヒータリードワイヤ	1
④	グリップヒータコントローラ	1
⑤	ファスナ	2
⑥	クランプ	5
⑦	取付け / 取扱説明書 (本書)	1

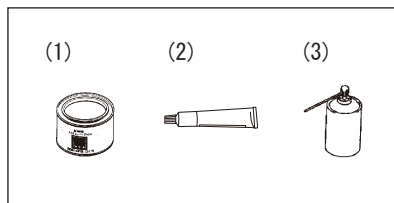


必要工具

No	必要工具
(1)	⊕ ドライバ
(2)	⊖ ドライバ
(3)	スパナ (10 mm、17mm)
(4)	T レンチ (10 mm)
(5)	ニッパ
(6)	ソケット (10 mm)
(7)	ラチェットハンドル
(8)	ヘキサゴンソケット (4mm、5mm、6mm、8mm、10mm)
(9)	エクステンション
(10)	トルクレンチ


必要部品
 (別途用意
 ください)

No	必要部品
(1)	エクスタースーパーグリス A (推奨品 : 99000-25480)
(2)	ボンド (推奨品 : THREEBOND 1530P)
(3)	脱脂洗浄剤



**注意書き
について**

本書の中で使用されている記号 **⚠** 警告、**⚠** 注意、**ℹ** 注記、**👉** アドバイス については、とくにしっかりお読みください。

⚠ 警告

取扱いを誤った場合、死亡または重大な傷害を生じる可能性がある危害の程度を示しています。

⚠ 注意

取扱いを誤った場合、傷害を負う可能性がある危害の程度を示しています。

ℹ 注記

取扱いを誤った場合、物的損害の発生する危害の程度を示しています。⇒ **ℹ**

👉 アドバイス

お車のために守っていただきたいこと、知っておくと便利なことを示しています。⇒ **👉**

**取り付けに
際しての
注意事項**
⚠ 警告

- ・ お客様ご自身で取付ける場合は、ご自身の知識・技量の範囲で行ってください。難しいことはスズキ販売店にご相談ください。
- ・ 平坦な足場のしっかりした場所で、サイドスタンドを立ててください。
- ・ エンジン回転中および停止後しばらくの間は、マフラ、エンジンなどが熱くなっています。このとき触れるとやけどを負うおそれがあります。
- ・ 取付けを行うときは火気を近づけないでください。

ℹ

- ・ 取付けはエンジンを停止し、キーを抜いた状態で行ってください。
- ・ バッテリ⊖端子をバッテリーから外してください。
- ・ 適切な工具を使用してください。
- ・ 本書に記載の取付位置以外の場所、または取付方法以外の方法で取付けた場合は、取付作業者の責任となります。
- ・ 適用機種以外には使用しないでください。適用機種以外に取付けられたものについては取付作業者の責任となります。

締付トルク とくに指示のない箇所は、右記を目安に締付けてください。

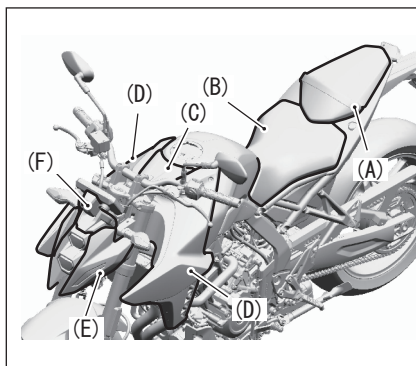
ネジ径 mm	締付トルク		
	N·m	kgf·m	lbf·ft
5	3.0	0.3	2.0
6	5.5	0.55	4.0
8	13.0	1.3	9.5
10	29.0	2.9	21.0



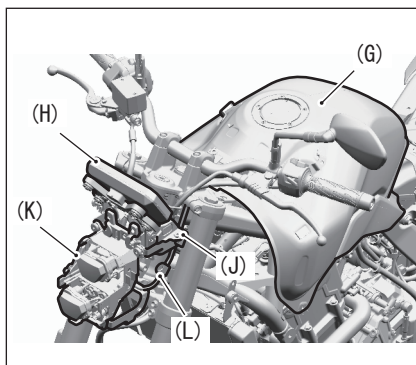
車両部品の脱着はGSX800のサービスマニュアルを必ず参照し、正しく行って下さい。

取付方法 車両部品の取外し

1. ピリオンシート (A)、シート (B)、燃料タンクカバー (C)、左右フレームボディカバー (D)、ヘッドランプカバー (E)、フロントメーターカバー (F) を取り外します。

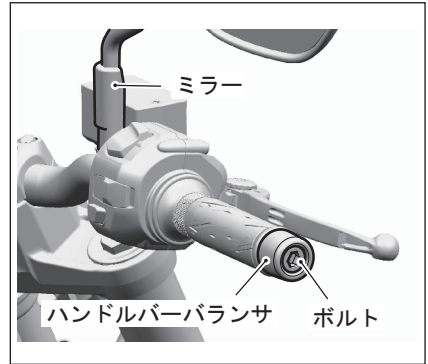


2. フuelタンク (G)、スピードメーター (H)、リアメーターカバー (J)、ヘッドランプ (K)、ヘッドランプカバーブレイス (L) を取り外します。

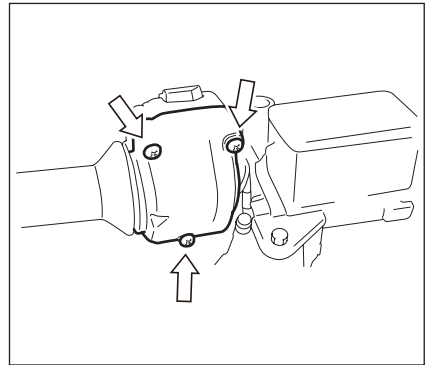


右側グリップヒータ②の取付け

1. ボルトを緩めてハンドルバーバランスを取り外します。
2. ミラーを取り外します。

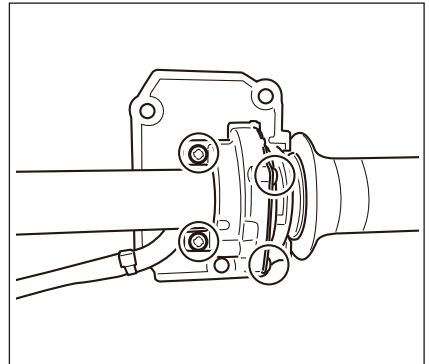


3. スクリューを外し、右側スイッチボックスを取り外します。

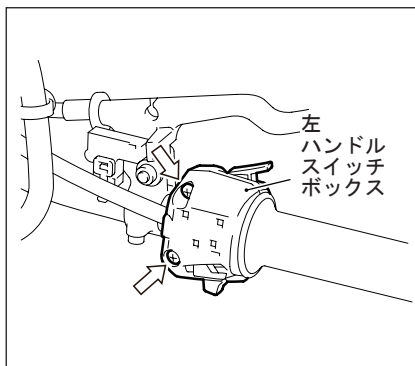


警告

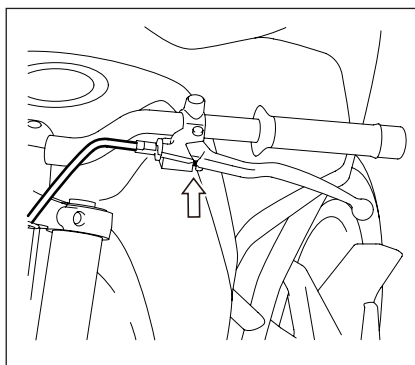
スイッチホルダー内のスク
リュは、絶対に触らないで
ください。



4. スクリュ2箇所を外し、左側ハンドルスイッチボックスを取り外します。



5. クラッチケーブルをクラッチレバー側から取り外します。



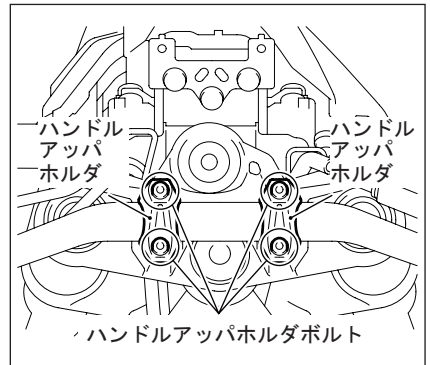
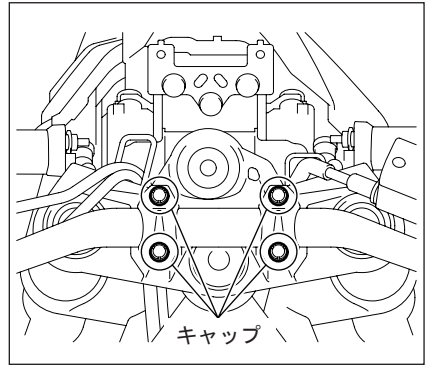
6. キャップ4箇所、ハンドルアップホルダボルト4箇所を取り外します。
 ハンドルアップホルダを取り外し、ハンドルバーをハンドルホルダから持ち上げます。



- ・ハンドルバーの表面に傷がつかないように養生をしてください。
- ・スピードメータに傷がつかないように養生をしてください。


警告

フロントブレーキマスターシリンダを逆さまにしないでください。



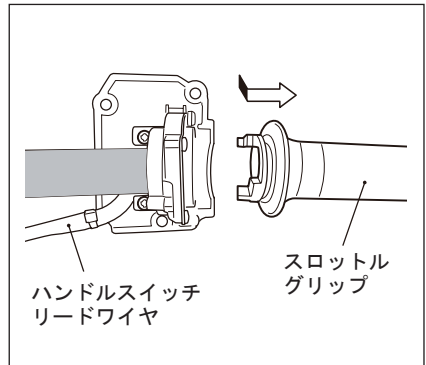
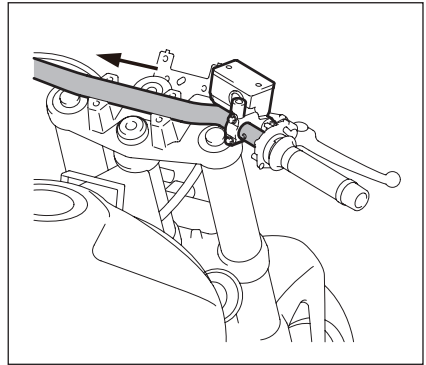
7. ハンドルバーを車両の左側へ移動し、右側ハンドルスイッチホルダ及びスロットルグリップをハンドルバーエンドまでスライドさせ、スロットルグリップのみを取り外します。

⚠ 警告

- 無理に右側ハンドルスイッチリードワイヤを引っ張らないでください。断線するおそれがあります。
- 無理にフロントブレーキホースを引っ張らないでください。破損するおそれがあります。



スロットルグリップは再使用しません。



8. 手順6とは逆の手順でハンドルバーを車両に取り付けます。



ハンドルアツパホルダボルト
: 23 N·m (2.3 kgf-m)

9. 手順5で取り外したクラッチケーブルをクラッチレバーに取り付け、クラッチケーブルの調整をします。
10. 左ハンドルスイッチボックスを車両に取り付けます。

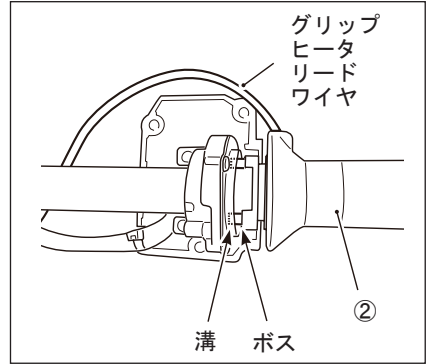


部品の取り付けはGSX800のサービスマニュアルを必ず参照し、正しく行って下さい。


11. ハンドルバーとスロットル
グリップの摺動部に薄くグ
リスを塗布します。

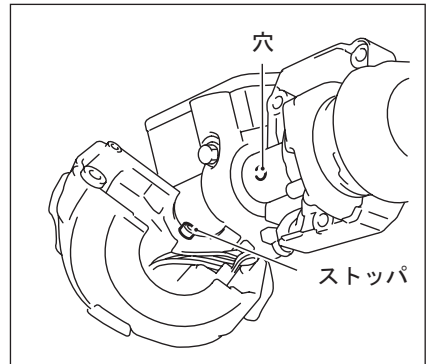
(推奨品：エクスター
スーパーグリス A)

12. 右側グリップヒータ②リー
ドワイヤを上向きにして、
ボスを溝にはめて右側グ
リップヒータ②を取り付け
ます。



13. スイッチボックスのストッ
パとハンドルバーの位置決
め穴をはめ合わせ、スクリ
ュで締め付けます。

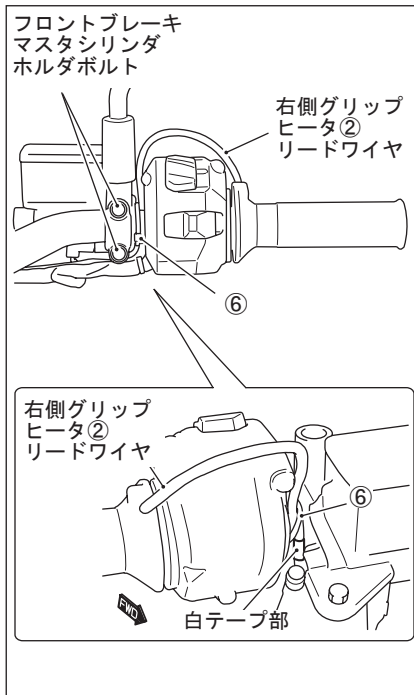
 スクリュ : 3 N·m
(0.3 kgf-m)



締め付け後、スイッチボッ
クスにがたが無い事を確認
してください。

14. 右側グリップヒータ②リードワイヤをイラストの様な状態になる様にハンドルバーの前側を通し、右側ハンドルスイッチボックスとフロントブレーキマスタシリンダクランプの間に通します。

右側グリップヒータ②リードワイヤの白テープ部を、フロントブレーキマスタシリンダホルダボルト間に合わせて、クランプ⑥でハンドルバーに固定します。



右側グリップヒータ②リードワイヤはハンドルバーの前側を通し、イラストのような配置になるように固定してください。




- ・ 右側グリップヒータリードワイヤをクランプ⑥で確実に固定してください。
- ・ スロットル操作時にリードワイヤが動かないことを確認してください。



クランプ⑥の余り部分はニッパで切断してください。



- 手順 1, 2 で取り外したハンドルバーバランス及びミラーを取り付けます。

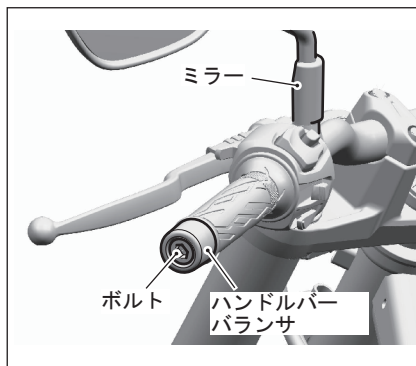
 ハンドルバーバランスボルト
: 23 N·m

 **警告**

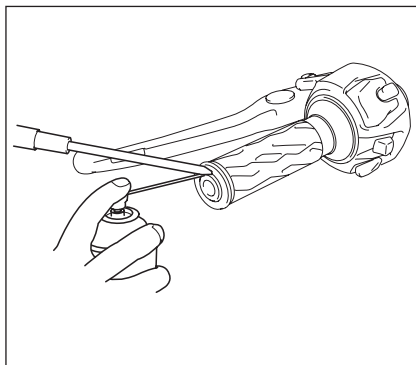
スロットル、レバー、スイッチ、ハンドルの据え切りなど各種操作時に、配線の張りや他部品との接触の他、操作に引っ掛かり等が無い事を確認してください。

左側グリップヒータの取付け

1. ボルトを緩めてハンドルバーバランスを取り外します。
2. ミラーを取り外します。



3. 左側ハンドルグリップとハンドルバーの間に ⊖ ドライバを入れて隙間をもうけ、その隙間に脱脂洗浄剤を注入し、ボンドを分離させて、左側ハンドルグリップを引き抜きます。



ハンドルバーの表面に傷がつかないように慎重に ⊖ ドライバを使用してください。

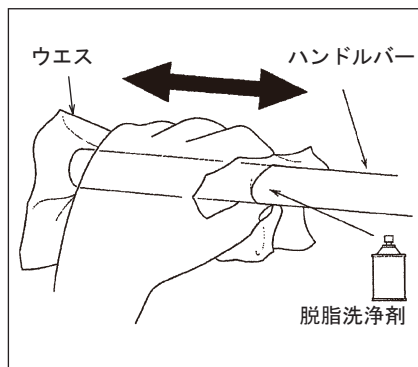


左側ハンドルグリップは再使用しません。

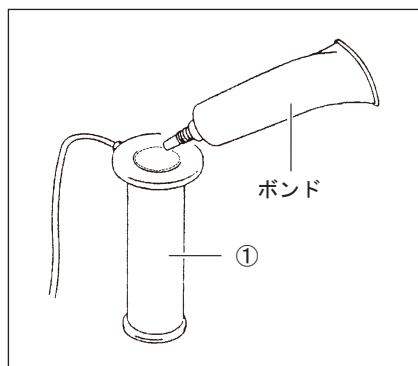
4. ハンドルバーに付着したボンドカスを脱脂洗浄剤とウエスを使用して取り除きます。

ⓘ

ハンドルバーを完全に乾かしてください。



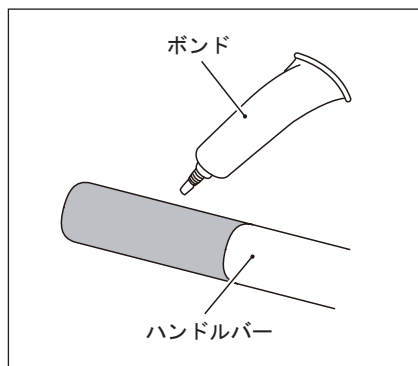
5. 左側グリップヒータ①内面にボンドを均一に多めに塗布します。
(推奨品：THREEBOND 1530P)



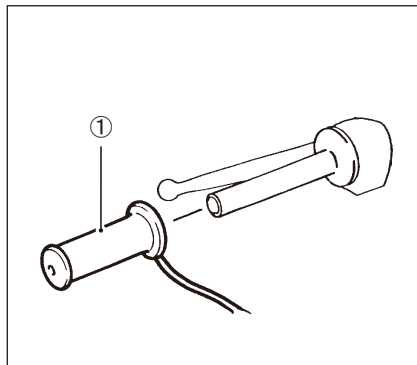
6. ハンドルバーの外周面にボンドを塗布します。
(推奨品：THREEBOND 1530P)

ⓘ

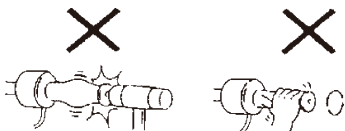
ハンドルバー端面にボンドが付着した場合、乾かないうちにウエス等で拭き取ってください。



7. ボンドが乾かないうちに、グリップを回転させながら一気に左側グリップヒータ①をハンドルバーに差し込みます。

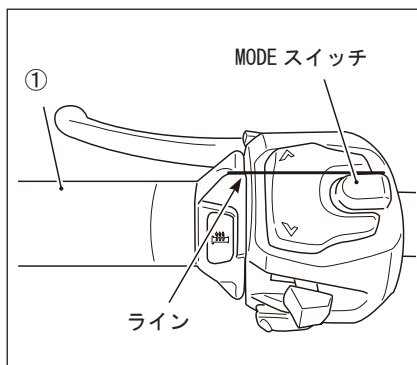


- ・途中で止めないで、一気に差し込んでください。
- ・挿入する際、「グリップエンドをハンマでたたく」、「グリップを強くねじる」等を行わないでください。グリップヒータが切断するおそれがあります。



- ・途中で入らなくなった場合は、グリップヒータとハンドルバーの隙間に脱脂洗浄剤を入れて取り外してください。この時、無理に配線をドライバ等でこじらないでください。グリップヒータ内で断線するおそれがあります。

イラストのように、左グリップヒータ①角部のラインとMODEスイッチ上部のラインを合わせます。



 警告

- ・適切なボンドで十分な時間養生し、確実に接着するまで 24 時間左側グリップヒータに触らないでください。また十分に接着するまでヒータの使用はお控えください。
- ・適切でないボンドを使用したり、接着が不十分な場合、走行中にグリップヒータが外れるおそれがあります。
- ・レバー、ハンドルの据え切りなど各種操作時に、配線の張りや他部品との接触の他、操作に引っ掛かり等がないか確認してください。

8. 手順 1, 2 で取り外したハンドルバーバランス及びミラーを取り付けます。



ハンドルバーバランスボルト : 23 N·m

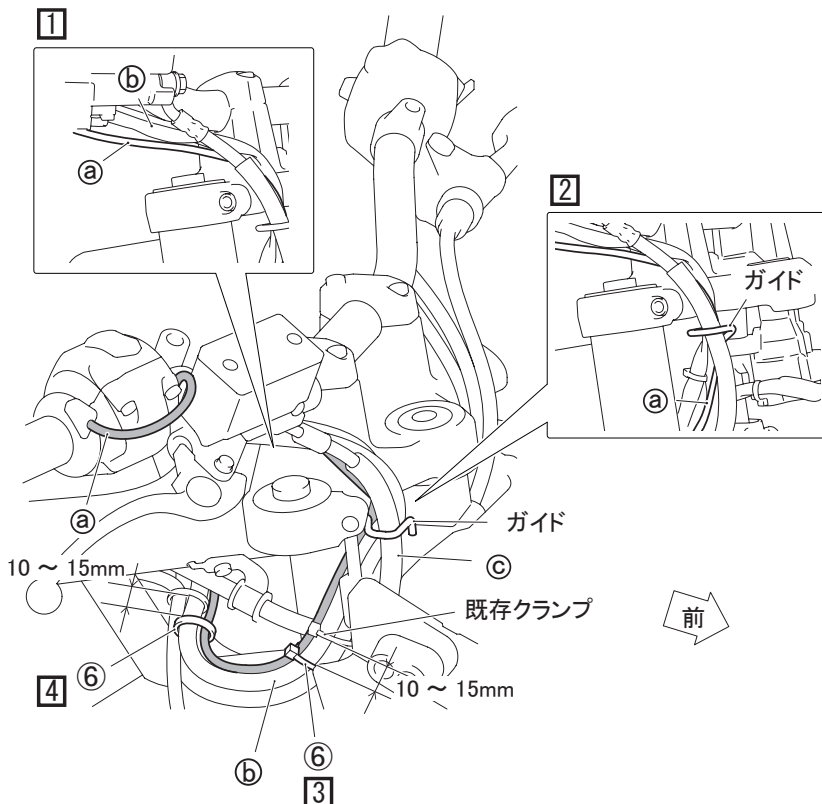
左右グリップヒーターリードワイヤの取り付け

図のように右側グリップヒータ②リードワイヤと左側グリップヒータ①リードワイヤを配索し固定します。

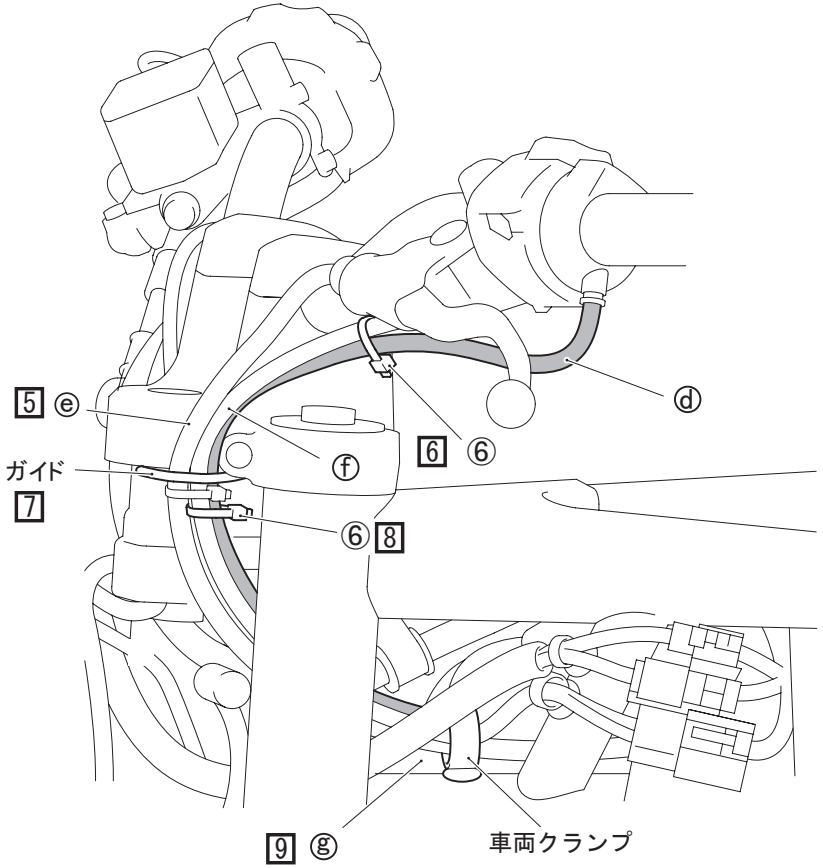


- ・ 左右のグリップヒータ①、②のリードワイヤに張りや、著しいたるみが無いように固定してください。
- ・ クランプ ⑥ の余り部分はニッパで切断してください。
- ・ ハンドルを据え切って、クランプ先端が周辺部品と接触しないことを確認してください。

視点：A



視点 : B



配線、ホース、ケーブル

- | | |
|----|------------------|
| a. | 右側グリップヒータ②リードワイヤ |
| b. | 右側ハンドルスイッチリードワイヤ |
| c. | フロントブレーキホース |
| d. | 左側グリップヒータ①リードワイヤ |
| e. | クラッチケーブル |
| f. | 左側ハンドルスイッチリードワイヤ |
| g. | メインハーネス |

作業内容

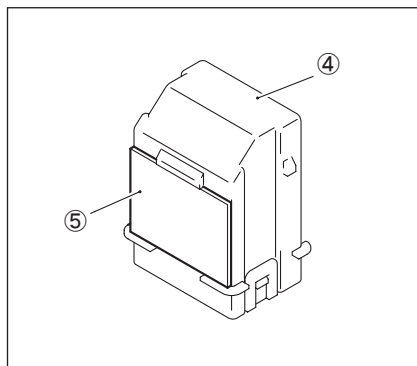
- | | |
|----|---|
| ①. | a を b に沿わせて配索します。(視点 A) |
| ②. | a をガイドに通します。(視点 A) |
| ③. | a をクランプ⑥で b とイグニッションスイッチリード線に固定します。(視点 A)
※1: 既存のクランプから 10 ~ 15mm 離れた位置に固定します。 |
| ④. | a をクランプ⑥で b とイグニッションスイッチリード線に固定します。(視点 A)
※2: 既存のクランプから 10 ~ 15mm 離れた位置に固定します。 |
| ⑤. | d を e, f に沿わせて配索します。(視点 B) |
| ⑥. | d をクランプ⑥で f に固定します。(視点 B) |
| ⑦. | d をガイドに通します。(視点 B) |
| ⑧. | d をクランプ⑥で f に固定します。(視点 B)
※2: 既存のクランプから 10 ~ 15mm 離れた位置に固定します。 |
| ⑨. | d を車両クランプで、e, f と共に g に固定します。(視点 B) |

グリップヒーターリードワイヤおよびグリップヒータコントローラの取り付け

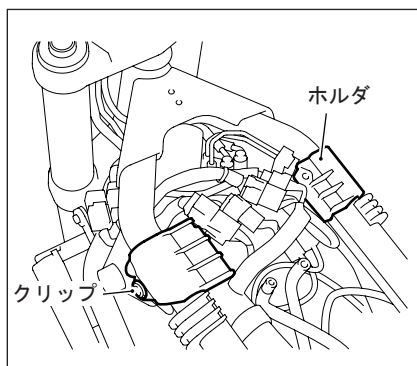
1. グリップヒータコントローラ④にファスナ⑤を貼り付けます。



貼り付け面にプライマを塗布し、乾燥した後にファスナ⑤を貼り付けてください。



2. クリップを外し、ホルダの位置をずらしませす。



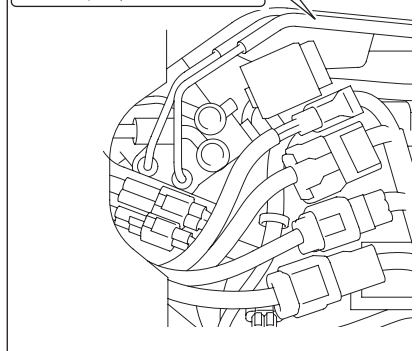
3. フレーム右側のホルダ下のプレートにファスナ⑤を貼り付けます。



貼り付け面にプライマを塗布し、乾燥した後にファスナ⑤を貼り付けてください。



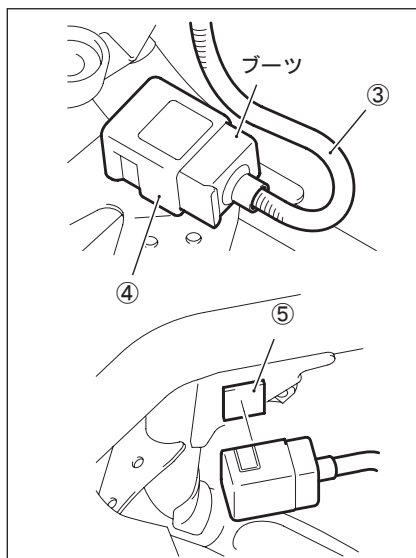
ファスナ⑤をフレーム溶接部に対し平行に貼り付けてください。



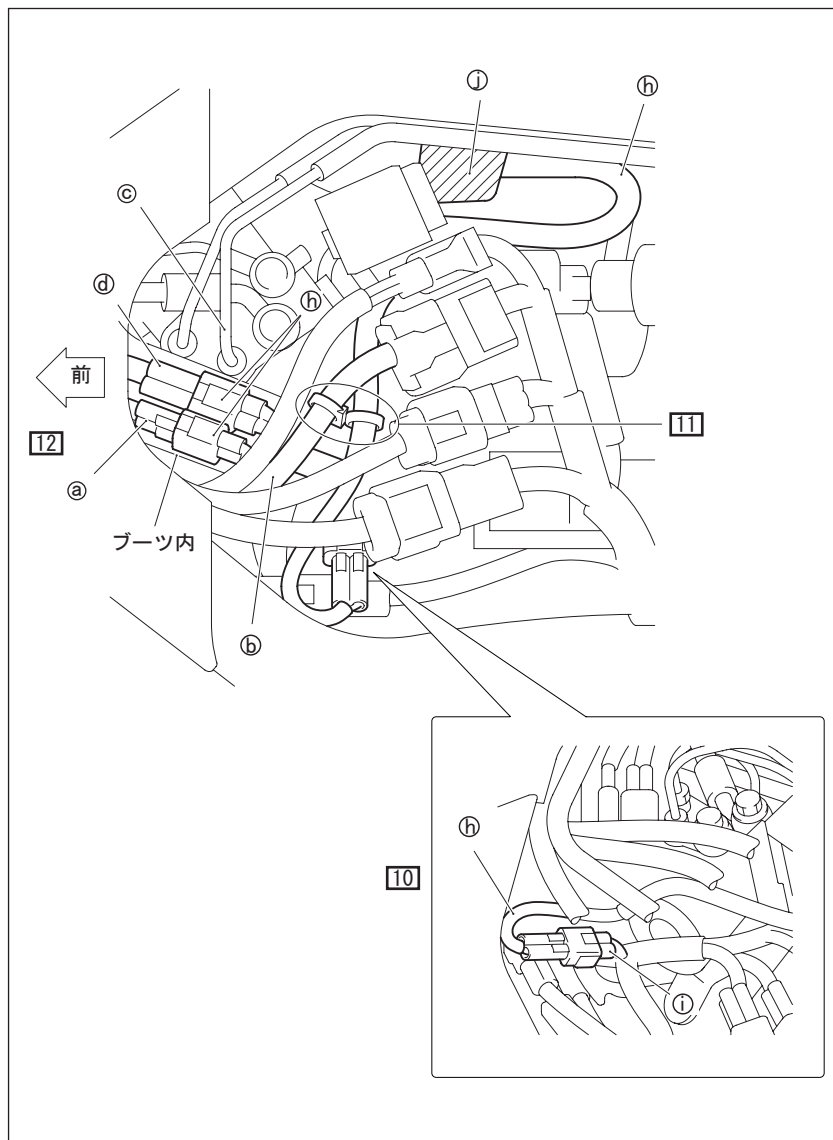
4. グリップヒータコントローラ④をグリップヒーターリードワイヤ③に接続し、手順3で貼り付けたファスナ⑤に固定します。



グリップヒータコントローラ④をグリップヒーターリードワイヤ③と接続後、ブーツを確実に嵌めてください。



イラストのように各製品のリードワイヤを配索してください。



配線、ホース、ケーブル

- | | |
|----|------------------|
| a. | 右側グリップヒータ②リードワイヤ |
| b. | 右側ハンドルスイッチリードワイヤ |
| c. | フロントブレーキホース |
| d. | 左側グリップヒータ①リードワイヤ |
| h. | グリップヒータリードワイヤ③ |
| i. | メインハーネス |
| j. | グリップヒータコントローラ④ |

作業内容

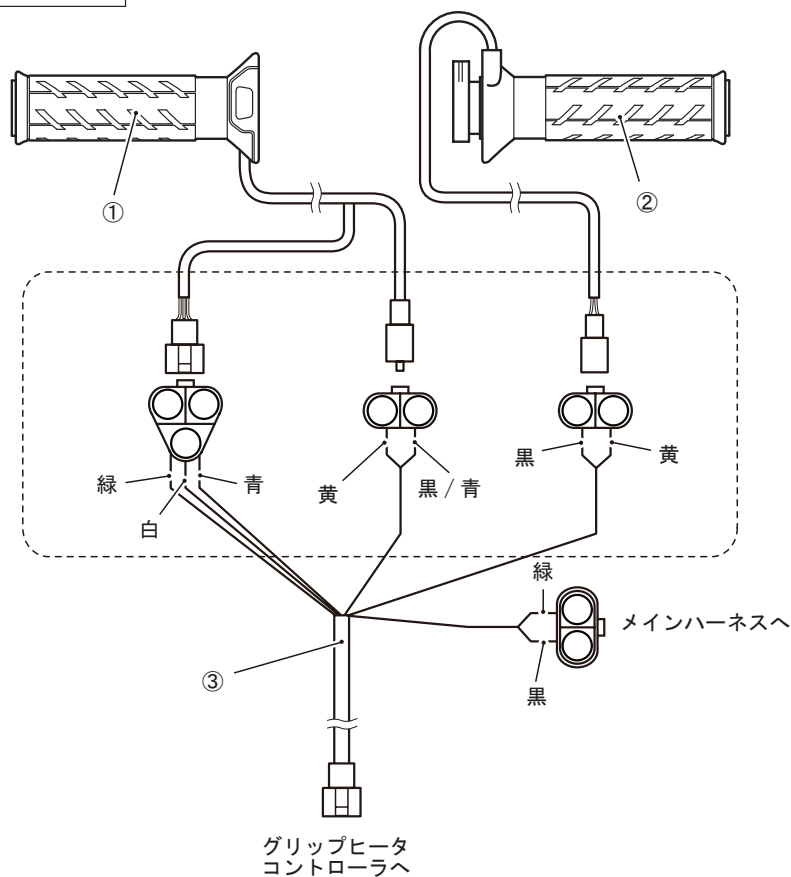
- | | |
|----|--|
| 10 | . hをiと結線します。hはホルダーの下を通します。 |
| 11 | . hに付いている8の字クランプでbを固定します。 |
| 12 | . a, dをhに結線します。余剰なリードはブーツの中に収めます。
※ ブーツはブレーキホースと右側ハンドルスイッチワイヤの間に収めます。 |

5. 手順2で位置をずらしたホルダを元の位置に戻します。



グリップヒータリードワイヤ③はホルダの下に配置してください。

配線図



15. 電源を入れ、グリップヒータが正しく作動するか確認してください。



操作方法は 24 ページを参照ください。

16. 車両部品を取り外した逆の手順で取り付けます。
(GSX800 サービスマニュアルを参照してください。)



実際の走行を行う前に、各部の取付け確認を必ず行って下さい。

機能確認、点検

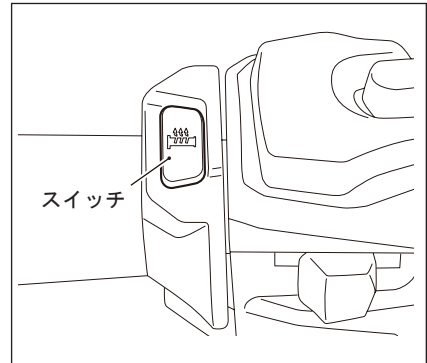
1. スロットルグリップを全開にしたとき及びハンドルを左右にきつたときリードワイヤに無理な力がかかっていませんか？
2. 左側グリップヒータは確実に接着していますか？

エンジンを始動して

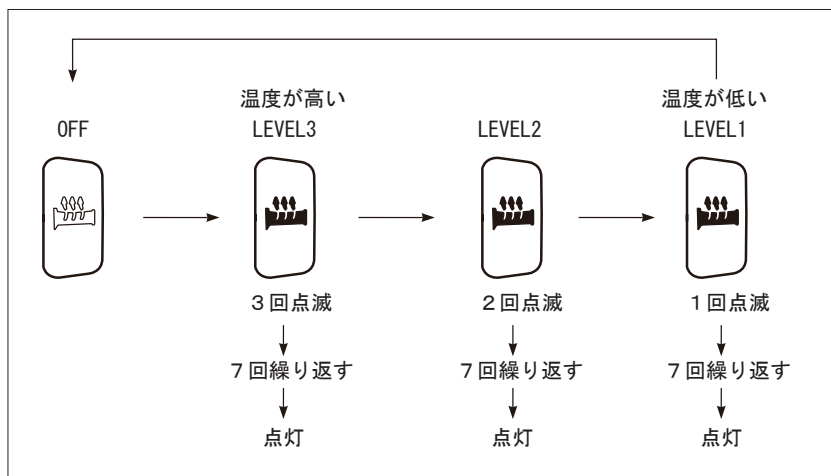
1. ヘッドランプ等の灯火器類は正しく作動しますか？
2. スイッチを押しインジケータ表示を LEVEL3 ~ LEVEL1 にして、グリップヒータの暖かさが変化しますか？

取扱いの方法

- ・ エンジンを始動し、スイッチを押すとグリップヒータが作動し、グリップを暖めることができます。
外気温に応じて LEVEL3 ~ LEVEL1 の間で3段階に温度調整できます。



インジケータはスイッチを押すごとに次のように変化します。



⚠ 注意

- ・必ず手袋を着用してください。素手ではやけどを負うおそれがあります。
- ・外気温度が 20°C 以上の時は使用しないでください。グリップヒータが過熱してやけどを負うおそれがあります。
- ・グリップの表皮が摩耗したり、損傷した場合は交換してください。感電ややけどを負うおそれがあります。

ⓘ

- ・グリップヒータには、バッテリー上がり防止のために、電圧検出タイプの自動スイッチが組み込まれています。自動スイッチは、エンジンアイドリング時や徐行運転中などに、エンジン回転が下がり、バッテリー電圧が下がるとインジケータが点滅します。エンジン回転が上がリ、バッテリー電圧が上がると電源が入り、インジケータはもとの表示にもどります。
- ・エンジンアイドリング時や徐行運転中など、エンジン回転が下がっている場合、グリップヒータのスイッチを ON に入れても自動スイッチが ON にならない為、暖かくなりません。

グリップヒーターが正常に作動しない場合は、下記項目の確認を行い、お買い上げ頂きましたスズキ販売店にご相談ください。

- ・グリップヒーターが作動しません。または調整ができません。
 1. グリップヒータースイッチインジケータが点滅していませんか？
 2. エンジンは始動していますか？
 3. グリップヒータースイッチは、LEVEL3 ⇄ LEVEL1 になっていますか？

- ・グリップヒーター温度が低すぎます、または高すぎます。
 1. グリップヒータースイッチの LEVEL3 ⇄ LEVEL1 間を調整していますか？
 2. 温度が高い場合は、LEVEL1 または OFF にするか厚手の手袋にしてください。

- ・グリップヒーターの暖まり方が場所によって差異を感じる場合があります。
 1. 異常ではありません。

- ・グリップヒータースイッチインジケータが点滅しています。
 1. バッテリーの電圧が下がっています。
 充電するか、交換してください。
 グリップヒータースイッチを OFF にしても、バッテリー電圧が下がると、インジケータが点滅します。

**取扱い上の
注意事項**


グリップヒーターの故障の原因となるため、高圧洗浄機を使用しての洗車は行わないでください。