



Husqvarna  
MOTORCYCLES



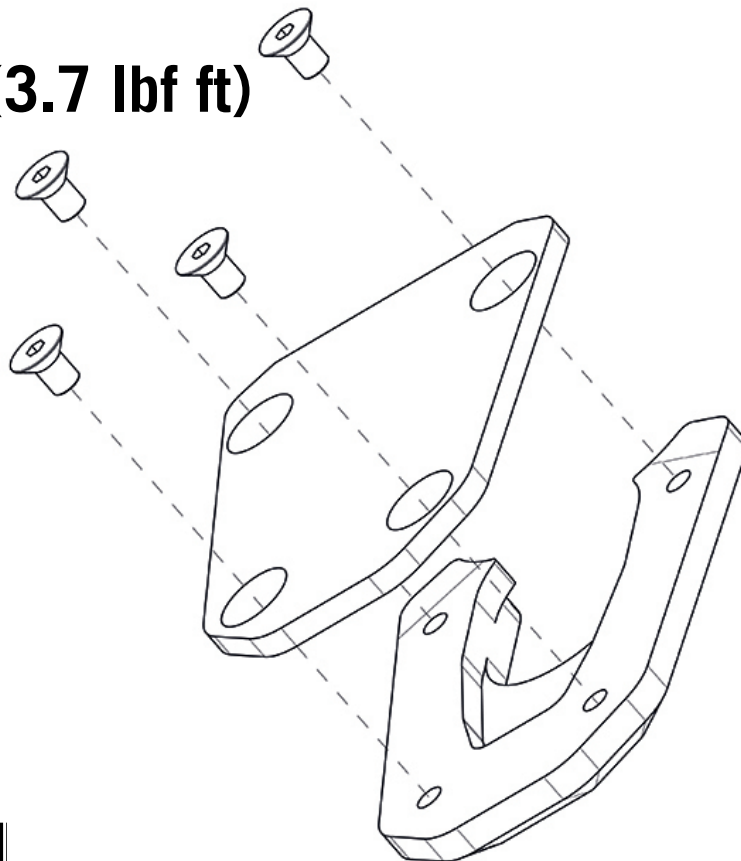
GASGAS

# INFORMATION

## STAND PLATE

61903923050  
63503923050  
63503923150  
6350392315001A  
95803923050

**5 Nm (3.7 lbf ft)**



\* 3 2 1 4 1 7 6 D E \*

3214176